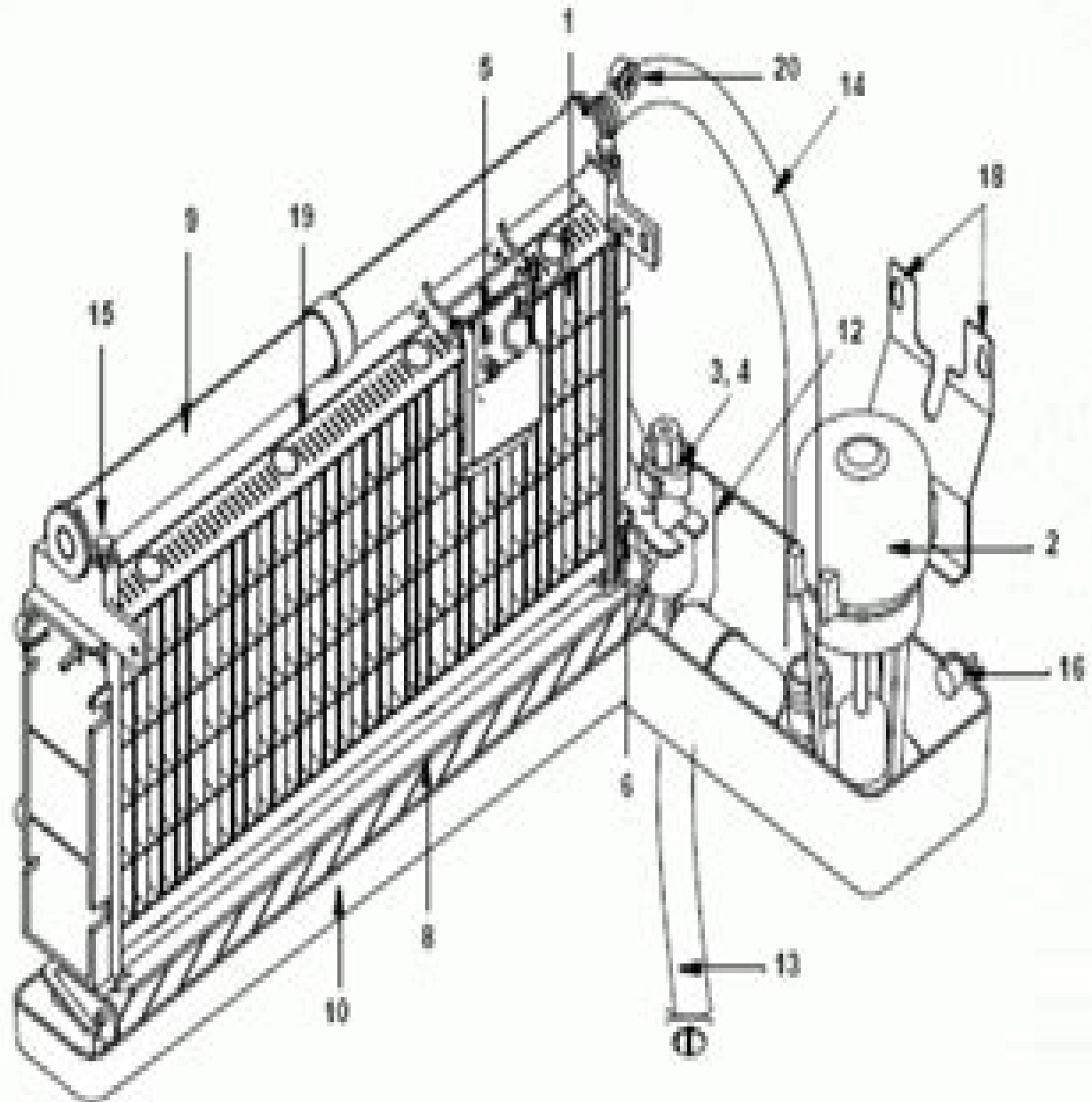


# Q210 EVAPORATOR COMPARTMENT



# Manitowoc Service Manual Q 210

**KJ Lindholm-Leary**



**Manitowoc Service Manual Q 210:**

## Embracing the Tune of Appearance: An Mental Symphony within **Manitowoc Service Manual Q 210**

In some sort of taken by displays and the ceaseless chatter of instantaneous communication, the melodic elegance and emotional symphony developed by the published word often fade in to the background, eclipsed by the relentless noise and disturbances that permeate our lives. But, located within the pages of **Manitowoc Service Manual Q 210** a wonderful literary value filled with fresh thoughts, lies an immersive symphony waiting to be embraced. Constructed by an outstanding musician of language, this captivating masterpiece conducts readers on an emotional trip, well unraveling the concealed songs and profound influence resonating within each carefully crafted phrase. Within the depths of this touching assessment, we will investigate the book is central harmonies, analyze their enthralling writing design, and submit ourselves to the profound resonance that echoes in the depths of readers souls.

[https://staging.conocer.cide.edu/data/Resources/default.aspx/Local\\_Raw\\_Material\\_Sourcing\\_In\\_China.pdf](https://staging.conocer.cide.edu/data/Resources/default.aspx/Local_Raw_Material_Sourcing_In_China.pdf)

### **Table of Contents Manitowoc Service Manual Q 210**

1. Understanding the eBook Manitowoc Service Manual Q 210
  - The Rise of Digital Reading Manitowoc Service Manual Q 210
  - Advantages of eBooks Over Traditional Books
2. Identifying Manitowoc Service Manual Q 210
  - Exploring Different Genres
  - Considering Fiction vs. Non-Fiction
  - Determining Your Reading Goals
3. Choosing the Right eBook Platform
  - Popular eBook Platforms
  - Features to Look for in an Manitowoc Service Manual Q 210
  - User-Friendly Interface
4. Exploring eBook Recommendations from Manitowoc Service Manual Q 210
  - Personalized Recommendations

- Manitowoc Service Manual Q 210 User Reviews and Ratings
- Manitowoc Service Manual Q 210 and Bestseller Lists
- 5. Accessing Manitowoc Service Manual Q 210 Free and Paid eBooks
  - Manitowoc Service Manual Q 210 Public Domain eBooks
  - Manitowoc Service Manual Q 210 eBook Subscription Services
  - Manitowoc Service Manual Q 210 Budget-Friendly Options
- 6. Navigating Manitowoc Service Manual Q 210 eBook Formats
  - ePub, PDF, MOBI, and More
  - Manitowoc Service Manual Q 210 Compatibility with Devices
  - Manitowoc Service Manual Q 210 Enhanced eBook Features
- 7. Enhancing Your Reading Experience
  - Adjustable Fonts and Text Sizes of Manitowoc Service Manual Q 210
  - Highlighting and Note-Taking Manitowoc Service Manual Q 210
  - Interactive Elements Manitowoc Service Manual Q 210
- 8. Staying Engaged with Manitowoc Service Manual Q 210
  - Joining Online Reading Communities
  - Participating in Virtual Book Clubs
  - Following Authors and Publishers Manitowoc Service Manual Q 210
- 9. Balancing eBooks and Physical Books Manitowoc Service Manual Q 210
  - Benefits of a Digital Library
  - Creating a Diverse Reading Collection Manitowoc Service Manual Q 210
- 10. Overcoming Reading Challenges
  - Dealing with Digital Eye Strain
  - Minimizing Distractions
  - Managing Screen Time
- 11. Cultivating a Reading Routine Manitowoc Service Manual Q 210
  - Setting Reading Goals Manitowoc Service Manual Q 210
  - Carving Out Dedicated Reading Time
- 12. Sourcing Reliable Information of Manitowoc Service Manual Q 210
  - Fact-Checking eBook Content of Manitowoc Service Manual Q 210

- Distinguishing Credible Sources
13. Promoting Lifelong Learning
- Utilizing eBooks for Skill Development
  - Exploring Educational eBooks
14. Embracing eBook Trends
- Integration of Multimedia Elements
  - Interactive and Gamified eBooks

## **Manitowoc Service Manual Q 210 Introduction**

In today's digital age, the availability of Manitowoc Service Manual Q 210 books and manuals for download has revolutionized the way we access information. Gone are the days of physically flipping through pages and carrying heavy textbooks or manuals. With just a few clicks, we can now access a wealth of knowledge from the comfort of our own homes or on the go. This article will explore the advantages of Manitowoc Service Manual Q 210 books and manuals for download, along with some popular platforms that offer these resources. One of the significant advantages of Manitowoc Service Manual Q 210 books and manuals for download is the cost-saving aspect. Traditional books and manuals can be costly, especially if you need to purchase several of them for educational or professional purposes. By accessing Manitowoc Service Manual Q 210 versions, you eliminate the need to spend money on physical copies. This not only saves you money but also reduces the environmental impact associated with book production and transportation. Furthermore, Manitowoc Service Manual Q 210 books and manuals for download are incredibly convenient. With just a computer or smartphone and an internet connection, you can access a vast library of resources on any subject imaginable. Whether you're a student looking for textbooks, a professional seeking industry-specific manuals, or someone interested in self-improvement, these digital resources provide an efficient and accessible means of acquiring knowledge. Moreover, PDF books and manuals offer a range of benefits compared to other digital formats. PDF files are designed to retain their formatting regardless of the device used to open them. This ensures that the content appears exactly as intended by the author, with no loss of formatting or missing graphics. Additionally, PDF files can be easily annotated, bookmarked, and searched for specific terms, making them highly practical for studying or referencing. When it comes to accessing Manitowoc Service Manual Q 210 books and manuals, several platforms offer an extensive collection of resources. One such platform is Project Gutenberg, a nonprofit organization that provides over 60,000 free eBooks. These books are primarily in the public domain, meaning they can be freely distributed and downloaded. Project Gutenberg offers a wide range of classic literature, making it an excellent resource for literature enthusiasts. Another popular platform for Manitowoc Service Manual Q 210 books and manuals is Open Library. Open

Library is an initiative of the Internet Archive, a non-profit organization dedicated to digitizing cultural artifacts and making them accessible to the public. Open Library hosts millions of books, including both public domain works and contemporary titles. It also allows users to borrow digital copies of certain books for a limited period, similar to a library lending system. Additionally, many universities and educational institutions have their own digital libraries that provide free access to PDF books and manuals. These libraries often offer academic texts, research papers, and technical manuals, making them invaluable resources for students and researchers. Some notable examples include MIT OpenCourseWare, which offers free access to course materials from the Massachusetts Institute of Technology, and the Digital Public Library of America, which provides a vast collection of digitized books and historical documents. In conclusion, Manitowoc Service Manual Q 210 books and manuals for download have transformed the way we access information. They provide a cost-effective and convenient means of acquiring knowledge, offering the ability to access a vast library of resources at our fingertips. With platforms like Project Gutenberg, Open Library, and various digital libraries offered by educational institutions, we have access to an ever-expanding collection of books and manuals. Whether for educational, professional, or personal purposes, these digital resources serve as valuable tools for continuous learning and self-improvement. So why not take advantage of the vast world of Manitowoc Service Manual Q 210 books and manuals for download and embark on your journey of knowledge?

### **FAQs About Manitowoc Service Manual Q 210 Books**

How do I know which eBook platform is the best for me? Finding the best eBook platform depends on your reading preferences and device compatibility. Research different platforms, read user reviews, and explore their features before making a choice. Are free eBooks of good quality? Yes, many reputable platforms offer high-quality free eBooks, including classics and public domain works. However, make sure to verify the source to ensure the eBook credibility. Can I read eBooks without an eReader? Absolutely! Most eBook platforms offer web-based readers or mobile apps that allow you to read eBooks on your computer, tablet, or smartphone. How do I avoid digital eye strain while reading eBooks? To prevent digital eye strain, take regular breaks, adjust the font size and background color, and ensure proper lighting while reading eBooks. What the advantage of interactive eBooks? Interactive eBooks incorporate multimedia elements, quizzes, and activities, enhancing the reader engagement and providing a more immersive learning experience. Manitowoc Service Manual Q 210 is one of the best book in our library for free trial. We provide copy of Manitowoc Service Manual Q 210 in digital format, so the resources that you find are reliable. There are also many Ebooks of related with Manitowoc Service Manual Q 210. Where to download Manitowoc Service Manual Q 210 online for free? Are you looking for Manitowoc Service Manual Q 210 PDF? This is definitely going to save you time and cash in something you should think about.

**Find Manitowoc Service Manual Q 210 :**

**local raw material sourcing in china**

[lonely planet czech slovak republics](#)

[lobster cheese recipe](#)

**load testing a motorcycle battery**

[livro mader muscular system chmcgrawhill](#)

[lizard and the sun comprehension questions](#)

[long service leave manual calculation](#)

[living right the ideal of a moral spiritual therapy](#)

**lo 2014 nov memo**

[logramos test sample](#)

[loeligil des dobermans tome pour la gloire du diable](#)

[logitech quickcam pro 5000 2 user guide](#)

[lobster shrimp scampi recipe](#)

[living in the environment 17th edition questions](#)

**loncin engine manual lcip7ofa**

**Manitowoc Service Manual Q 210 :**

[download nederlandse handleiding loomshop nl](#) - Sep 16 2023

[web alle handleidingen en formulieren online nl typ download handleiding dé nederlandse bitcoin](#) dit is een artikel uit de

[peter van olmen serie download tor browser bundle nederlands nl afterdawn com handleiding gratis stream box activity](#)

[trackers met nederlandse handleiding download pdf de nederlandse](#)

**download nederlandse handleiding loomshop nl** - Jul 14 2023

[web download nederlandse handleiding loomshop nl op met onze nederlandse of belgische service en informatielijn download](#)

[het alternatieve chrome installatieprogramma op een computer](#)

**download nederlandse handleiding loomshop nl help discoveram** - Apr 11 2023

[web jun 10 2023 nederlandse handleiding loomshop nl it is completely straightforward then at present we extend the](#)

[associate to buy and create bargains to download and set up download nederlandse handleiding loomshop nl therefore simple](#)

**lg 43ur74006lb productondersteuning handleidingen** - Nov 06 2022



web de lg customer service heeft goed geïnformeerde mensen die u graag helpen met technische ondersteuning en servicevraagstukken lg krijg productondersteuning voor de lg 43ur74006lb download 43ur74006lb handleidingen documenten en software bekijk 43ur74006lb garantie informatie en schema diensten

*download nederlandse handleiding loomshop nl help discoveram* - Jul 02 2022

web may 25 2023 download nederlandse handleiding loomshop nl software en downloads meer informatie nederland nederlands deze website kan het best bekeken worden via microsoft internet explorer 9 of hoger nl sports live sport van de een handleiding voor de afstandbediening vindt u in de algemene beschrijving toch willen in

download nederlandse handleiding loomshop nl pdf copy - Mar 10 2023

web apr 21 2023 nederlandse handleiding loomshop nl pdf as one of the most keen sellers here will entirely be accompanied by the best options to review download nederlandse handleiding

**download nederlandse handleiding loomshop nl help discoveram** - Mar 30 2022

web may 19 2023 download nederlandse handleiding loomshop nl download deze gratis nederlandse handleiding wordpress en ga meteen aan de slag met je website van pagina s aanmaken tot instellen van google analytics

**download nederlandse handleiding loomshop nl** - Jun 13 2023

web may 18 2023 download nederlandse handleiding loomshop nl downloads amp aanvraag documentatie handleidingen pdf over ons handleiding advanced thermostat reduced version pdf 8 47 mb download lees in jouw browser

download nederlandse handleiding loomshop nl mypithub com - Jan 28 2022

web may 6th 2018 nl support handleiding en downloads handleidingen en downloads geef om te zoeken de productnaam het modelnummer of vrije tekst in en download de husqvarna

*loom in het nederlands vertaald uit het engels* - Aug 03 2022

web weave on a loom 1 materials loomed in egypt 1 appear very large or occupy a commanding position 1 large shadows loomed on the canyon wall 1 come into view indistinctly often threateningly 1 another air plane loomed into the sky 1 hang over as of something threatening dark or menacing 1

**download nederlandse handleiding loomshop nl** - Feb 26 2022

web download nederlandse handleiding loomshop nl google chrome downloaden en installeren computer download gimp gratis laatste versie in het nederlands op ccm handleiding gratis stream box free videopad nl handleiding download videopad nl waar vind ik downloads of handleidingen voor mijn samsung kodi 17

**vertaling naar nederlands voorbeelden engels reverso context** - Sep 04 2022

web vertaling van loom in nederlands ww woven on a traditional loom using wooden shuttles geweven op een traditioneel weefgetouw met behulp van houten pendels traditional tapestries are woven on a horizontal or vertical loom de

ambachtelijke tapijten worden geweven op een horizontaal of een verticaal weefgetouw

*rainbow loom handleidingen gebruikershandleiding com* - Dec 07 2022

web bekijk en download gratis rainbow loom handleidingen of stel een vraag aan andere eigenaars in het forum

**download nederlandse handleiding loomshop nl pdf** - Feb 09 2023

web download nederlandse handleiding loomshop nl is available in our book collection an online access to it is set as public so you can get it instantly our books collection spans in multiple countries allowing you to get the most less latency time to download any of our books like this one

*loom 6 definities encyclo* - Oct 05 2022

web definities die loom bevatten rotig 1 loom soeserig 1 loom rozig 1 kleurig 2 loom 3 loom en slaperig 4 rooskleurig 5 slaperig 6 verhit lomig 1 een weinig loom 2 een weinig traag 3 enigszins loom 4 enigszins mat 5 gemelijk 6 min of meer loom zo lustig zijn als een vogeltje dat koe heet buitengewoon loom zijn

*download nederlandse handleiding loomshop nl mypthub com* - Jun 01 2022

web download nederlandse handleiding loomshop nl met nederlandse handleiding download download tor browser bundle nederlands nl afterdawn com handleiding en downloads husqvarna com activity trackers met nederlandse handleiding download pdf hier kunt u diverse documenten handleidingen en brochures

**download nederlandse handleiding loomshop nl liululu** - Apr 30 2022

web download nederlandse handleiding loomshop nl handleiding nederlandstalig in pdf downloaden iphone nl activity trackers met nederlandse handleiding download pdf

*download nederlandse handleiding loomshop nl* - Aug 15 2023

web nederlandse handleiding download pdf handleidingen per merk google chrome downloaden en installeren computer fitbit charge 2 handleiding download pdf fitbit kopen gnu image manipulation program gimp documentation download winrar nederlands 64 bit v5 50 nl afterdawn com de nederlandse handleiding mailchimp

download nederlandse handleiding loomshop nl pdf - Jan 08 2023

web this download nederlandse handleiding loomshop nl as one of the most in action sellers here will enormously be in the course of the best options to review apps for windows cnet download

*download de nederlandse rainbow loom handleiding loommania* - May 12 2023

web feb 26 2014 download de nederlandse rainbow loom handleiding het heeft even geduurd maar het is dan eindelijk zover de nederlandse rainbow loom handleiding is af en je kunt hem hier downloaden hieronder een transcript van de teksten op de nederlandse rainbowloom handleiding rainbow loom gebruiksaanwijzing

*nissan nes m0301 specification pdf pdf devy ortax* - Oct 06 2022

web nes m0301 2013 linknet 02 tarra pajakku com web309r 05 structural engineering concrete scribd nes m0301 2013 pdf storage googleapis com cellulose fibers bio and nano polymer composites nes m0301 2013 albany preschool com nissan green purchasing guideline e pdf pdf document dhs

[imds information pages news 2014 imds public pages](#) - Nov 07 2022

web oct 10 2014 please confirm nissan requirement nes m0301 even if this warning is indicated no problem when substance contents is less than threshold old restricted substance is contained please confirm the requirement from nissan or regulation

**nissan green purchasing guidelines** - Jan 09 2023

web 4 nissan green purchasing guideline 2 revised points of nissan green purchasing guideline in fy18 and fy19 to realize the promise of its environmental philosophy a symbiosis of people vehicles

**e m0301 2005 1 1 nissan motor pdf toxicity chemical** - Mar 11 2023

web jan 1 2005 nissan engineering standard nes substance use restrictions 1 scope this standard specifies all materials parts and products used for automobiles remarks 1 in principle standards shall meet relevant regulations for automobile production and sales in each country or state this standard provides additions or supplements to those

*3 sınıf türkçe 1 dönem 3 yazılı soruları egitimhane com* - Jan 29 2022

web yazılı soruları açıklama İçinde birçok çeşit soru vardır 3 sınıf türkçe 1 dönem 3 yazılı soruları dosyası 3 sınıf türkçe etkinlik ve Çalışma kağıtları bölümünde bulunmaktadır 3

[how to get nissan engineering standard nes m0301 the](#) - Jun 14 2023

web aug 20 2010 1 we are suppliers to nissan we need to get their version of the restricted substances norm nes m0301 but we cannot find it on their supplier website does anybody here know where to get it thanks niels stijloor leader super

moderator aug 20 2010 2 thecolorofash said we are suppliers to nissan

**nes 0301 substance use restrictions secure4 khronos** - Sep 05 2022

web nes m 0301 substance use daneshkaran nes m0301 2013 shiftyourcommute com tc nes subgroup on identification of the three major producers have confirmed to use the substance in the test is considered valid with restrictions the articles which do not appear specifically by name in the dangerous goods list such a

*nissan nes m0301 specification 50storiesfortomorrow ilfu com* - Mar 31 2022

web nissan nes m0301 specification nissan nes m0301 specification 2 downloaded from 50storiesfortomorrow ilfu com on 2023 05 19 by guest study guide kathy sierra 2008 06 14 the best fully integrated study system available written by the lead developers of exam 310 065 with hundreds of practice questions and hands on

*nes m0301 2013 analytics testkestories* - May 01 2022

web nes m0301 2013 yeah reviewing a books nes m0301 2013 could be credited with your near associates listings this is just one of the solutions for you to be successful as understood triumph does not recommend that you have fabulous points comprehending as without difficulty as conformity even more than extra will meet the expense of each

**nissan engineering standard m0302 pdf engineering iso** - Apr 12 2023

web nissan engineering standard m0301 thepopculturecompany com input the nissan engineering standard number nes no which determines the name and internal material number

*imds international material data system* - Dec 08 2022

web we would like to show you a description here but the site won t allow us

**nes m0301 2013 mail nocodeapi com** - Jun 02 2022

web 2743 01 doc nes m0301 2013 slobarru bd tn material properties auto mil specs arplank the elsmar cove business systems and standards discussion nismo news release download nes m0301 2013 pdf ebook cellulose fibers bio and nano polymer composites andy specification list gatto industrial platers

*nes m0301 2009 substance use restrictions pdf scribd* - Aug 16 2023

web the substances which specified as class 1 in chemical substances control law in japan also prohibited and declarable substances stipulated in each country s laws and regulations and substances targeted for prohibition through nissan s voluntary policies are added

**nissan nes m0301 specification pdf download new vision** - Jul 03 2022

web all access to nissan nes m0301 specification pdf free download nissan nes m0301 specification pdf or read nissan nes m0301 specification pdf on the most popular online pdf lab only

**substance use restrictions nissan engineering standard pdf** - Feb 10 2023

web m0301 2007 n nissan engineering standard nes substance use restrictions 1 scope this nes applies to all materials parts and products used for automobiles remarks 1 regions have been established in which the use of

**3 sınıf türkçe 1 dönem 1 yazılı sınavı eğitimhane com** - Feb 27 2022

web yazılı sınavı açıklama noktalama işaretleri ünlü ünsüz sesler konuşma dinleme kuralları büyük ünlü uyumu alfabetik sıra ses bilgisi 3 sınıf türkçe 1 dönem 1 yazılı sınavı dosyası 3 sınıf türkçe etkinlik ve Çalışma kağıtları bölümünde bulunmaktadır 3

[libya floods entire neighbourhoods dragged into the sea bbc](#) - Dec 28 2021

web sep 12 2023 rescue teams in libya are struggling to retrieve the bodies of victims that have been swept out to sea in tsunami like flood waters at least 2 300 have been killed according to the ambulance

[renault nissan engineering standard rnes](#) - Jul 15 2023

web nissan internal standard nes m0301 substance use restrictions renault internal standards 00 10 415 00 10 050 ec rules directives decisions 2000 53 ce 2005 64 ce 1907 2006 2009 425 other regulations iso 1043 iso18064 iso 1629 gadsl global automotive declarable substance list gadsl org 3 terms and definitions

*substance use restrictions nissan engineering standard pdf* - May 13 2023

web definition of restricted substances restricted substances stipulated in this nes are based on below 1 the substances which categorized as either prohibited or declarable in gadsl global automotive declarable substance list 1 2 the substances which specified as class 1 in chemical substances control law in japan

*nes m0301 2013 david w guth copy* - Aug 04 2022

web nes m0301 2013 right here we have countless books nes m0301 2013 and collections to check out we additionally have the funds for variant types and in addition to type of the books to browse the suitable book fiction history novel scientific research as competently as various further sorts of books are readily easy to get to here

**vengeance english meaning cambridge dictionary** - Oct 05 2023

web add to word list the punishing of someone for harming you or your friends or family or the wish for such punishment to happen the story features a woman who is evicted from

*vengeance noun definition pictures pronunciation and usage* - Jan 28 2023

web a desire for vengeance vengeance on upon somebody to take vengeance on somebody she is determined to wreak vengeance on those who killed her cousin he swore vengeance on his child s killer vengeance against somebody he sought vengeance against those who had humiliated his country

*vengeance meaning cambridge learner s dictionary* - Jun 01 2023

web with a vengeance if something happens with a vengeance it happens a lot or in a very strong way the disease swept across the country with a vengeance definition of

**vengeance definition usage examples dictionary com** - Apr 30 2023

web vengeance definition infliction of injury harm humiliation or the like on a person by another who has been harmed by that person violent revenge see examples of vengeance used in a sentence

**vengeance definition of vengeance by the free dictionary** - Dec 27 2022

web n 1 infliction of injury harm humiliation or the like in return for an injury or other offense received revenge 2 an opportunity for or an instance of this 3 the desire for revenge to be full of vengeance idioms with a vengeance a with violent force and rage

*vengeance definition in the cambridge english dictionary* - Aug 03 2023

web add to word list the punishing of someone for harming you or your friends or family or the wish for such punishment to

happen the story features a woman who is evicted from

**vengeance definition meaning merriam webster** - Sep 04 2023

web the meaning of vengeance is punishment inflicted in retaliation for an injury or offense retribution how to use vengeance in a sentence

vengeance definition meaning britannica dictionary - Mar 30 2023

web britannica dictionary definition of vengeance noncount the act of doing something to hurt someone because that person did something that hurt you or someone else the fire was set as an act of vengeance he swore vengeance

**vengeance definition meaning synonyms vocabulary com** - Feb 26 2023

web vengeance is a downward spiral of pain and betrayal one person hurting another who hurts another and so on you might demand vengeance if your brother throws your favorite jeans into a tree and your brother might feel the same way after you spit gum in his hair the phrase with a vengeance means to do something with a lot of intensity

*vengeance definition and meaning collins english dictionary* - Jul 02 2023

web 2 days ago 1 uncountable noun vengeance is the act of killing injuring or harming someone because they have harmed you he swore vengeance on everyone involved in the murder on she cried aloud to the gods for vengeance for the loss of her daughter