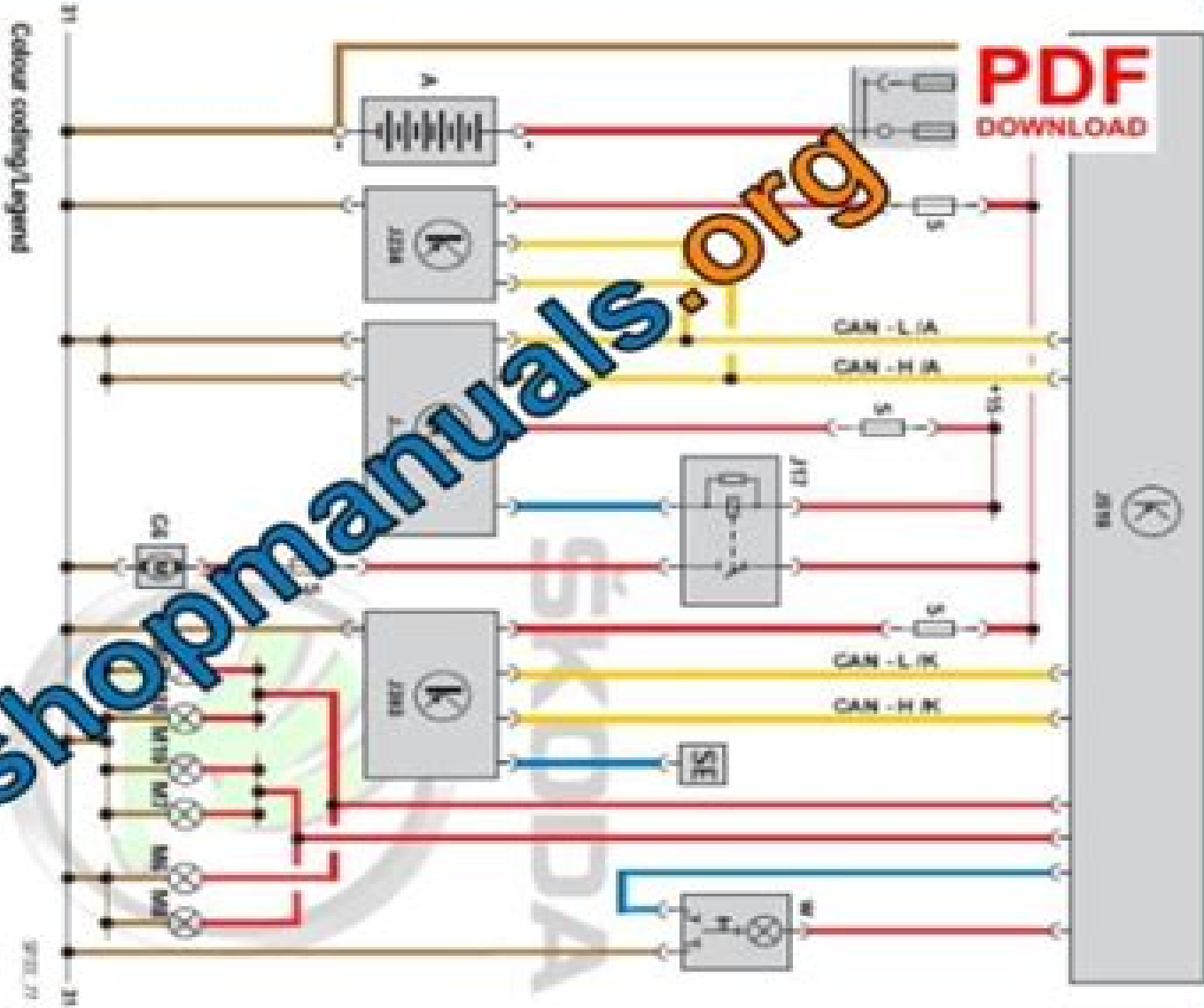


Skoda Fabia 2015-2019 Wiring Diagram

PDF
DOWNLOAD



Colour coding/Legend

- CAN/LA (drive)
- CAN/LK (convenience)
- Output signal
- Battery positive
- Earth

- A Battery
- GF Fuel pump
- J... Engine control unit

- J17 Fuel pump relay
- J204 Airbag control unit
- J303 Convenience system control unit
- J519 Vehicle electrical control unit
- M5 Butb for left front turn signal
- M6 Butb for left rear turn signal
- M7 Butb for right front turn signal
- M8 Butb for right rear turn signal
- M18 Butb for left side turn signal
- M19 Butb for right side turn signal
- SE Locking units in doors
- W Front interior lamp

Fabia Vrs Workshop Manual

F Rizvi



Fabia Vrs Workshop Manual:

Reviewing **Fabia Vrs Workshop Manual**: Unlocking the Spellbinding Force of Linguistics

In a fast-paced world fueled by information and interconnectivity, the spellbinding force of linguistics has acquired newfound prominence. Its capacity to evoke emotions, stimulate contemplation, and stimulate metamorphosis is really astonishing. Within the pages of "**Fabia Vrs Workshop Manual**," an enthralling opus penned by a very acclaimed wordsmith, readers embark on an immersive expedition to unravel the intricate significance of language and its indelible imprint on our lives. Throughout this assessment, we shall delve in to the book is central motifs, appraise its distinctive narrative style, and gauge its overarching influence on the minds of its readers.

https://staging.conocer.cide.edu/data/browse/fetch.php/Full_Tilt_Thorndike_Press_Large_Print_Young_Adult_Series.pdf

Table of Contents Fabia Vrs Workshop Manual

1. Understanding the eBook Fabia Vrs Workshop Manual
 - The Rise of Digital Reading Fabia Vrs Workshop Manual
 - Advantages of eBooks Over Traditional Books
2. Identifying Fabia Vrs Workshop Manual
 - Exploring Different Genres
 - Considering Fiction vs. Non-Fiction
 - Determining Your Reading Goals
3. Choosing the Right eBook Platform
 - Popular eBook Platforms
 - Features to Look for in an Fabia Vrs Workshop Manual
 - User-Friendly Interface
4. Exploring eBook Recommendations from Fabia Vrs Workshop Manual
 - Personalized Recommendations
 - Fabia Vrs Workshop Manual User Reviews and Ratings
 - Fabia Vrs Workshop Manual and Bestseller Lists

5. Accessing Fabia Vrs Workshop Manual Free and Paid eBooks
 - Fabia Vrs Workshop Manual Public Domain eBooks
 - Fabia Vrs Workshop Manual eBook Subscription Services
 - Fabia Vrs Workshop Manual Budget-Friendly Options
6. Navigating Fabia Vrs Workshop Manual eBook Formats
 - ePub, PDF, MOBI, and More
 - Fabia Vrs Workshop Manual Compatibility with Devices
 - Fabia Vrs Workshop Manual Enhanced eBook Features
7. Enhancing Your Reading Experience
 - Adjustable Fonts and Text Sizes of Fabia Vrs Workshop Manual
 - Highlighting and Note-Taking Fabia Vrs Workshop Manual
 - Interactive Elements Fabia Vrs Workshop Manual
8. Staying Engaged with Fabia Vrs Workshop Manual
 - Joining Online Reading Communities
 - Participating in Virtual Book Clubs
 - Following Authors and Publishers Fabia Vrs Workshop Manual
9. Balancing eBooks and Physical Books Fabia Vrs Workshop Manual
 - Benefits of a Digital Library
 - Creating a Diverse Reading Collection Fabia Vrs Workshop Manual
10. Overcoming Reading Challenges
 - Dealing with Digital Eye Strain
 - Minimizing Distractions
 - Managing Screen Time
11. Cultivating a Reading Routine Fabia Vrs Workshop Manual
 - Setting Reading Goals Fabia Vrs Workshop Manual
 - Carving Out Dedicated Reading Time
12. Sourcing Reliable Information of Fabia Vrs Workshop Manual
 - Fact-Checking eBook Content of Fabia Vrs Workshop Manual
 - Distinguishing Credible Sources
13. Promoting Lifelong Learning

- Utilizing eBooks for Skill Development
 - Exploring Educational eBooks
14. Embracing eBook Trends
- Integration of Multimedia Elements
 - Interactive and Gamified eBooks

Fabia Vrs Workshop Manual Introduction

In the digital age, access to information has become easier than ever before. The ability to download Fabia Vrs Workshop Manual has revolutionized the way we consume written content. Whether you are a student looking for course material, an avid reader searching for your next favorite book, or a professional seeking research papers, the option to download Fabia Vrs Workshop Manual has opened up a world of possibilities. Downloading Fabia Vrs Workshop Manual provides numerous advantages over physical copies of books and documents. Firstly, it is incredibly convenient. Gone are the days of carrying around heavy textbooks or bulky folders filled with papers. With the click of a button, you can gain immediate access to valuable resources on any device. This convenience allows for efficient studying, researching, and reading on the go. Moreover, the cost-effective nature of downloading Fabia Vrs Workshop Manual has democratized knowledge. Traditional books and academic journals can be expensive, making it difficult for individuals with limited financial resources to access information. By offering free PDF downloads, publishers and authors are enabling a wider audience to benefit from their work. This inclusivity promotes equal opportunities for learning and personal growth. There are numerous websites and platforms where individuals can download Fabia Vrs Workshop Manual. These websites range from academic databases offering research papers and journals to online libraries with an expansive collection of books from various genres. Many authors and publishers also upload their work to specific websites, granting readers access to their content without any charge. These platforms not only provide access to existing literature but also serve as an excellent platform for undiscovered authors to share their work with the world. However, it is essential to be cautious while downloading Fabia Vrs Workshop Manual. Some websites may offer pirated or illegally obtained copies of copyrighted material. Engaging in such activities not only violates copyright laws but also undermines the efforts of authors, publishers, and researchers. To ensure ethical downloading, it is advisable to utilize reputable websites that prioritize the legal distribution of content. When downloading Fabia Vrs Workshop Manual, users should also consider the potential security risks associated with online platforms. Malicious actors may exploit vulnerabilities in unprotected websites to distribute malware or steal personal information. To protect themselves, individuals should ensure their devices have reliable antivirus software installed and validate the legitimacy of the websites they are downloading from. In conclusion, the ability to download Fabia Vrs Workshop

Manual has transformed the way we access information. With the convenience, cost-effectiveness, and accessibility it offers, free PDF downloads have become a popular choice for students, researchers, and book lovers worldwide. However, it is crucial to engage in ethical downloading practices and prioritize personal security when utilizing online platforms. By doing so, individuals can make the most of the vast array of free PDF resources available and embark on a journey of continuous learning and intellectual growth.

FAQs About Fabia Vrs Workshop Manual Books

What is a Fabia Vrs Workshop Manual PDF? A PDF (Portable Document Format) is a file format developed by Adobe that preserves the layout and formatting of a document, regardless of the software, hardware, or operating system used to view or print it. **How do I create a Fabia Vrs Workshop Manual PDF?** There are several ways to create a PDF: Use software like Adobe Acrobat, Microsoft Word, or Google Docs, which often have built-in PDF creation tools. Print to PDF: Many applications and operating systems have a "Print to PDF" option that allows you to save a document as a PDF file instead of printing it on paper. Online converters: There are various online tools that can convert different file types to PDF. **How do I edit a Fabia Vrs Workshop Manual PDF?** Editing a PDF can be done with software like Adobe Acrobat, which allows direct editing of text, images, and other elements within the PDF. Some free tools, like PDFescape or Smallpdf, also offer basic editing capabilities. **How do I convert a Fabia Vrs Workshop Manual PDF to another file format?** There are multiple ways to convert a PDF to another format: Use online converters like Smallpdf, Zamzar, or Adobe Acrobats export feature to convert PDFs to formats like Word, Excel, JPEG, etc. Software like Adobe Acrobat, Microsoft Word, or other PDF editors may have options to export or save PDFs in different formats. **How do I password-protect a Fabia Vrs Workshop Manual PDF?** Most PDF editing software allows you to add password protection. In Adobe Acrobat, for instance, you can go to "File" -> "Properties" -> "Security" to set a password to restrict access or editing capabilities. Are there any free alternatives to Adobe Acrobat for working with PDFs? Yes, there are many free alternatives for working with PDFs, such as: LibreOffice: Offers PDF editing features. PDFsam: Allows splitting, merging, and editing PDFs. Foxit Reader: Provides basic PDF viewing and editing capabilities. How do I compress a PDF file? You can use online tools like Smallpdf, ILovePDF, or desktop software like Adobe Acrobat to compress PDF files without significant quality loss. Compression reduces the file size, making it easier to share and download. Can I fill out forms in a PDF file? Yes, most PDF viewers/editors like Adobe Acrobat, Preview (on Mac), or various online tools allow you to fill out forms in PDF files by selecting text fields and entering information. Are there any restrictions when working with PDFs? Some PDFs might have restrictions set by their creator, such as password protection, editing restrictions, or print restrictions. Breaking these restrictions might require specific

software or tools, which may or may not be legal depending on the circumstances and local laws.

Find Fabia Vrs Workshop Manual :

full tilt thorndike press large print young adult series

fun with handcraft

functional assessment and outcome measures for the rehabilitation health professional

fundamental principles of the metaphysics of morals

functions and modeling

fundamental accounting principals 15th ed vol ii ch/13-26

frost on my moustache the arctic exploits of a lord and a loafer

fund of industrial hygiene 4th

~~fugitive theory~~

functional approach to data management modeling analyzing and integrating heterogeneous data

fundamental concepts of quality improvement - hardcover

functional properties of proteins and lipids

fun with sand art

~~fun facts and games mabachusetts~~

fullness of joy

Fabia Vrs Workshop Manual :

pre engineered building design of an industrial - Dec 04 2022

web pre engineered building concept involves the steel building systems which are predesigned and prefabricated as the name indicates this concept involves pre engineering of structural elements using a predetermined registry of building materials and manufacturing techniques that can be

design of pre engineered building peb structure irjet - Jan 05 2023

web the project uses different software for designing such as etabs staad pro ram connection and ideastaica along with hand calculation following is 875 parts 1 2 and 3 for load calculation and is 800 key words structure designing steel green building pollution wastage bim technology software

pre engineered frames for industrial structures - May 09 2023

web pre engineered buildings are fully fabricated in the factory after designing then transported to the site in completely knocked down ckd condition and all components

[pre engineered buildings peb components advantages design](#) - Jun 10 2023

web may 24 2017 pre engineered buildings peb are the buildings which are engineered at a factory and assembled at site usually pebs are steel structures built up sections are fabricated at the factory to exact size transported to

[analysis and design of pre engineered building](#) - Jun 29 2022

web 1 introduction healthy trend in the form of growth in demand for construction works in residential commercial institutional industrial and infrastructure sectors are being seen over the past decade modern structures are much more complex and sophisticated as compared to earlier period

steel structural design manual for engineers pdf slideshare - Jul 31 2022

web nov 29 2013 download now steel structural design manual for engineers download as a pdf or view online for free

pre engineered steel buildings - Oct 14 2023

web pre engineered buildings 3 1 structural system main frames mezzanines crane support systems fascias canopies trusses curved beams 3 2 secondary members purlins girts eave strut c section curved eaves open web joist cross bracing systems 3 3 cladding systems panel profiles kirby standard colors insulation

[product manual ced manual nucor building systems](#) - Feb 23 2022

web nbs product manual and nbg certified erection details pdf sections available for view and download you can also download dwg files

analysis and design of pre engineered building using is800 2007 - Sep 01 2022

web literature review kumar et al 2014 studied the pre engineered building peb concept in the design of structures has helped optimizing design the ability of peb in the place of conventional steel building csb design concept resulted in many advantages including economy and easier fabrication in this study an industrial structure ware

[design and analysis of pre engineered building using stadd pro](#) - Mar 07 2023

web connections the objective of current research is to structurally investigate the pre engineered buildings peb using stadd pro software the seismic load analysis is to be conducted using is 875 code key words peb steel structure stability 1

introduction pre engineered buildings peb are the buildings which are

detailed civil pre engineered steel building drawings - Apr 27 2022

web aug 5 2021 the drawing of civil pre engineered steel buildings is an essential element before carrying out any constructions this helps investment owners complete the building quickly meet the desired needs and save maximum costs let s follow bmb steel to explore some beautiful and detailed drawings of pre engineered buildings pebs to

staad pro structural design of steel building peb udemy - Apr 08 2023

web a pre engineered building or peb is a metal building frame that includes a structural system and often also roof and wall cladding a peb building as it is called is engineered at a factory and assembled at site built up sections are fabricated at the factory to size and then transported to site to assemble with bolted connections

pre engineered building wikipedia - Feb 06 2023

web a pre engineered metal building under construction in structural engineering a pre engineered building peb is designed by a peb supplier or peb manufacturer with a single design to be fabricated using various materials and methods to satisfy a wide range of structural and aesthetic design requirements this is contrasted with a building

design of pre engineered building peb structural frame - Jul 11 2023

web oct 3 2023 this method of approach manual design and software validation to design a peb building was found to be less time consuming the total weight of the structure in trail 1 span width 35 m is 87218 543 kgs through manual design whereas by software analysis the steel take off was reduced by 23 11

pdf structural performance of pre engineered building - May 29 2022

web nov 1 2021 a pre engineered building peb refers to a building which is pre designed at a factory using some simulation and modelling software as per the specifications codes and the loads that will be

pdf design concept of pre engineered building - Sep 13 2023

web mar 1 2012 pdf abstract the pre engineered steel building system construction has great advantages to the single storey buildings practical and efficient find read and cite all the research

pre engineered building peb structure design - Nov 03 2022

web jan 24 2022 pre engineered building peb is a revolution in building storage capacity structures a structural frame built completely with steel with a standard roof and standard walls the structure is built completely at the factory and brought to

design and analysis of pre engineered industrial buildings peb - Aug 12 2023

web this paper provides the comparative study of conventional steel building csb pre engineered building peb and tubular structure the design is made as per is 800 2007 dead load live load and wind load calculation is made is 875 part i ii and iii respectively

pre engineered buildings design manual pdf by mac medium - Mar 27 2022

web pre engineered buildings design manual pdf rating 4 8 5 5508 votes downloads 27065 click here to download metal building systems design and specifications 2 e

va nca section 13 34 19 metal building systems whole building design - Oct 02 2022

web c metal building manufacturers association mbma recommended guide specifications for pre engineered metal buildings

recommended design practices manual d american institute of steel construction aisc ansi aisc 360 10 specifications for structural steel buildings e national fire protection association nfpa no 220 standard types of

personal finance rent 9780073530697 chegg com - Sep 10 2022

web jan 21 2011 rent personal finance 10th edition 978 0073530697 today or search our site for other textbooks by jack r Kapoor every textbook comes with a 21 day any reason guarantee published by mcgraw hill irwin personal finance 10th edition solutions are available for this textbook

personal finance Kapoor Jack R 1937 free download - May 06 2022

web personal finance Kapoor Jack R 1937 free download borrow and streaming internet archive

personal finance 10th edition Kapoor solutions manual issuu - Jun 07 2022

web feb 20 2019 personal finance 10th edition Kapoor solutions manual full download testbanklive com download personal finance 10th edition Kapoor solutions manual chapter 05

solution manual for personal finance 10th edition Kapoor dlabay - Nov 12 2022

web view solution manual for personal finance 10th edition Kapoor dlabay Hughes from finance 10 at new jersey institute of technology full file at

personal finance 10th edition Kapoor solutions manual - Mar 16 2023

web personal finance 10th edition Kapoor solutions manual visit to download the full and correct content document testbankdeal com download personal finance 10th edition Kapoor solutions manual personal finance 10th edition Kapoor solutions manual chapter 05 financial services savings plans and payment accounts

personal finance 10th edition textbook solutions Bartleby - Jun 19 2023

web textbook solutions for personal finance 10th edition Jack R Kapoor and others in this series view step by step homework solutions for your homework ask our subject experts for help answering any of your homework questions

personal finance 10th edition Kapoor solutions manual - Jan 02 2022

web personal finance 10th edition Kapoor solutions manual 55 00 request sample personal finance 10th edition Kapoor solutions manual add to cart category solution manual test bank for civil litigation 7th edition 35 00 solution manual for production and operations analysis nahmias 6th edition 35 00

personal finance 10th edition by Kapoor dlabay and Hughes - Apr 05 2022

web oct 4 2019 personal finance 10th edition test bank pdf test bank for personal finance 10th edition by Kapoor pdf sample instant download personal finance 10th edition by Kapoor test bank instant download personal finance 10th edition by Kapoor dlabay and Hughes by Kapoor dlabay and Hughes zip or pdf

personal finance 10th edition solutions and answers quizlet - Aug 21 2023

web now with expert verified solutions from personal finance 10th edition you ll learn how to solve your toughest homework problems our resource for personal finance includes answers to chapter exercises as well as detailed information to walk you through the process step by step

solutions for personal finance 10th numerade - Jul 20 2023

web solutions for personal finance 10th jack r Kapoor les r dlabay robert j hughes get access to all of the answers and step by step video explanations to this book and 5 000 more try numerade free join free today chapters 1 personal finance basics and the time value of money 0 sections 14 questions 2 financial aspects of career

personal finance textbook solutions chegg com - May 18 2023

web personal finance 10th edition by jack Kapoor robert j hughes les dlabay 586 personal finance 10th edition by jack Kapoor robert j hughes les dlabay 598 personal finance 11th edition by jack Kapoor 888 personal finance 11th edition by jack Kapoor 866 personal finance 13th edition by robert James hughes jack

solution manual for personal finance 10th edition by Kapoor issuu - Oct 11 2022

web nov 25 2017 solution manual for personal finance 10th edition by jack r Kapoor les r dlabay robert j hughes link full download

solutions manual for personal finance 10th edition by Kapoor - Dec 13 2022

web instructor resource information title personal finance resource solutions manual edition 10th edition author Kapoor dlabay hughes publisher mcgraw hill higher education table of content 1 personal finance basics and the time value of money 2 financial aspects of career planning 3 money

personal finance 10th edition Kapoor sol pdf course hero - Jan 14 2023

web personal finance 10th edition Kapoor solutions manual full download savings plans may be evaluated on the basis of rate of return inflation tax considerations liquidity safety restrictions and fees

personal finance 10th edition Kapoor solutions manual - Jul 08 2022

web description personal finance 10th edition Kapoor solutions manual this is not the text book you are buying solutions manual for personal finance 10th edition by Kapoor solutions manual comes in a pdf or word format and available for

solutions manual for personal finance 11th edition by Kapoor issuu - Feb 03 2022

web dec 11 2017 solutions manual for personal finance 11th edition by Kapoor full clear download no error formatting at downloadlink org p solutions manu

solution manual for personal finance 10th edition by Kapoor - Feb 15 2023

web dec 14 2021 document information uploaded on december 14 2021 number of pages 32 written in 2021 2022 type exam elaborations contains questions answers solution manual for personal finance 10th edition by Kapoor

[personal finance 14th edition mcgraw hill](#) - Mar 04 2022

web professor kapoor was recently awarded the business and services division s outstanding professor award for 1999 2000 dr kapoor is known internationally as a co author of several textbooks including business a practical approach rand mcnally business houghton mifflin and focus on personal finance richard d irwin mcgraw hill les

[free solutions for personal finance 10th edition quizlet](#) - Apr 17 2023

web find step by step solutions and answers to personal finance 9780073530697 as well as thousands of textbooks so you can move forward with confidence

solutions manual for personal finance 10th edition by kapoor - Aug 09 2022

web you are buying personal finance 10th edition solutions manual by kapoor download link will appear immediately or sent to your email please check spam box also once payment is confirmed solutions manual comes in a pdf or word format and available for download only

intoduction to english grammar worksheets with answers - Jul 26 2022

web created by czins 2 11 08 goal english introduction to grammar use with adjectives adverbs the k i s s method of identifying parts of a sentence keep it simple student learn this step by step process and follow it whenever you are working with sentence structure exercises in goal english you will discover that it makes figuring out

[an introduction to english grammar 4th edition routledge](#) - Mar 02 2023

web an introduction to english grammar provides a comprehensive overview of all aspects of english grammar the first part of the book the grammar provides a step by step introduction to the key topics in english grammar

a student s introduction to english grammar - Apr 03 2023

web a new edition of a successful undergraduate textbook on contemporary international standard english grammar based on huddleston and pullum s earlier award winning work the cambridge grammar of the english language 2002 the analyses defended there are outlined here more briefly in an engagingly accessible and informal style

[introduction to grammar grammar learning guides at](#) - Jun 05 2023

web oct 24 2023 introduction to grammar quick punctuation prescriptive vs descriptive what is grammar grammar rules and errors grammar practice other grammr resources punctuation capitalization english

goals english - Apr 22 2022

web i strip away the fluff verb drills grammar drills etc and get right to the heart of learning english at an advanced level speaking practice if you re interested in online english lessons with an experienced accent and fluency coach i offer free 15 minute consultations so you can get an idea of what we can accomplish together and

1 three goals for teaching grammar wac clearinghouse - Aug 07 2023

web goals for teaching grammar coal a every student from every background will complete school with the ability to communicate comfortably and effectively in both spoken and written standard english with awareness of when use of standard english is appropriate

an introduction to english grammar gerald nelson sidney - Nov 29 2022

web oct 13 2015 abstract an introduction to english grammar provides a comprehensive overview of all aspects of english grammar the first part of the book the grammar provides a step by step introduction to the key topics in english grammar

introduction to grammar video khan academy - Jul 06 2023

web as david says in the intro above by understanding english by speaking it by writing it by reading this very sentence you are a grammarian yourself here s a link to another definition khanacademy org computer programming 01a nouns definition grammarian 2966229652

introduction to the grammar of english cambridge university - Feb 01 2023

web this textbook provides a thorough and precise account of all the major areas of english grammar for practical reasons the author concentrates on standard english and only selected aspects of its regional variation the book is written for students who may have no previous knowledge of linguistics and little familiarity with traditional grammar

the word goal in example sentences page 1 manythings org - Mar 22 2022

web english sentences focusing on words and their word families the word goal in example sentences page 1 2256892 that s my goal ck 2711705 the forward kicked a goal sharptoothed 1577181 she has achieved her goals eastasiastudent 1515428 that s definitely the goal sacredceltic 389164 at last he reached his goal

chapter 1 introduction to grammar washington state university - Oct 29 2022

web register in which he or she is speaking this utterance is grammatical i e produced by the grammar of a native speaker for speakers of several different dialects of english and appropriate in different registers for those dialects a descriptive grammar therefore will specify many rules for structures in which no native speaker will

what are the specific objectives of teaching english grammar - Sep 08 2023

web so the focus on grammar in english is to benefit the aims of the subject on the whole which is to promote clear and effective communication through reading writing speaking and listening through teaching grammar you can provide students with the ability to analyse english texts and use grammatical terms correctly in their discussion of work

goal definition usage examples dictionary com - Feb 18 2022

web goal definition the result or achievement toward which effort is directed aim end see examples of goal used in a sentence

a beginner s guide to basic english grammar - Oct 09 2023

web mar 18 2021 enjoy englishclass101 com s introduction to english grammar for beginners and don t forget to see our free english grammar page for an even more condensed version table of contents general english grammar rules parts of speech determiners capitalization punctuation making questions politeness and formality

[grammar parts of speech sentence structure punctuation](#) - Sep 27 2022

web aelfric the abbot of eynsham 11th century who wrote the first latin grammar in anglo saxon proposed that this work serve as an introduction to english grammar as well thus began the tradition of analyzing english grammar according to a latin model

how to write an introduction with examples grammarly - Jun 24 2022

web oct 20 2022 an introduction is the first paragraph in an essay or research paper it prepares the reader for what follows what s the purpose of an introduction the goal of the introduction is to both provide the necessary context for the topic so the reader can follow along and also create an emotional connection so the reader wants to keep reading

introduction to grammar grammar khan academy youtube - May 04 2023

web mar 22 2016 by understanding english by speaking it by writing it by reading this very sentence you are a grammarian yourself watch the next lesson khanacademy org humanitie grammar

[pdf an introduction to english grammar academia edu](#) - Aug 27 2022

web the structure of english 2016 textbook with exercises for hungarian ba and ma students of english grammar and basic syntax

introduction to grammar english composition i kellogg - May 24 2022

web grammar is a set of rules and conventions that dictate how standard american english works these rules are simply tools that speakers of a language can use when you learn how to use the language you can craft your message to communicate exactly what you want to convey

an introduction to english grammar - Dec 31 2022

web welcome to the companion website for the best selling textbook an introduction to english grammar fourth edition this website provides a range of additional exercises and interactive quizzes to complement the book s nine step by step chapters alongside further reading suggestions and a glossary of grammatical terms