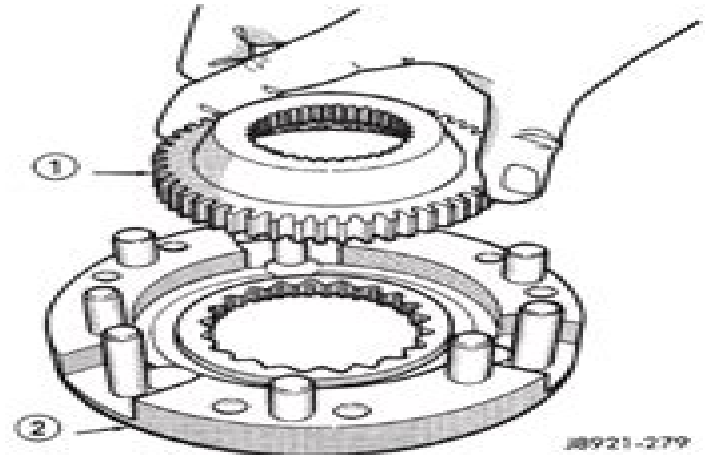
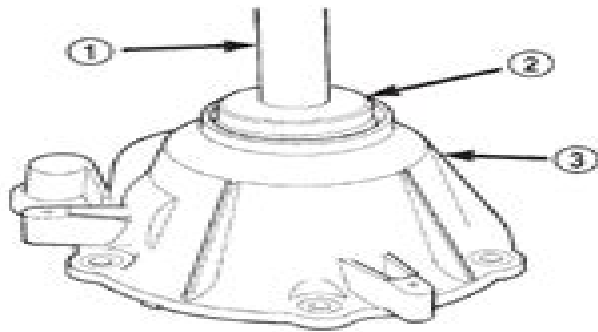


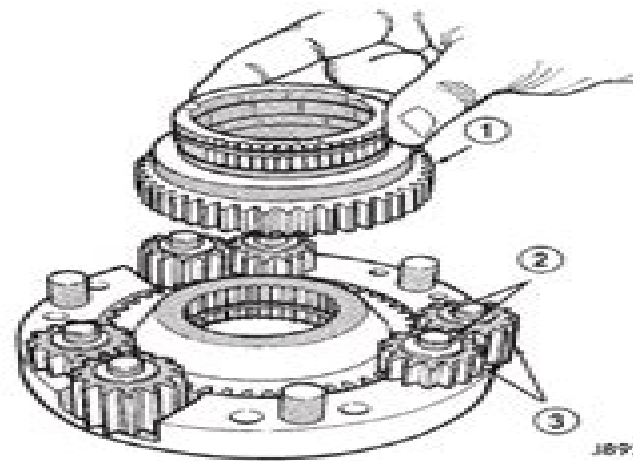
J8921-286



J8921-279



800b-0461



J8921-280

Jp Cherok Repair Manual

Robert R. Redfield



Jp Cherok Repair Manual:

Fuel your quest for knowledge with is thought-provoking masterpiece, Dive into the World of **Jp Cherok Repair Manual** . This educational ebook, conveniently sized in PDF (Download in PDF: *), is a gateway to personal growth and intellectual stimulation. Immerse yourself in the enriching content curated to cater to every eager mind. Download now and embark on a learning journey that promises to expand your horizons. .

https://staging.conocer.cide.edu/About/uploaded-files/Documents/from_earth_to_herbalist_an_earth_conscious_guide_to_medical_plants.pdf

Table of Contents Jp Cherok Repair Manual

1. Understanding the eBook Jp Cherok Repair Manual
 - The Rise of Digital Reading Jp Cherok Repair Manual
 - Advantages of eBooks Over Traditional Books
2. Identifying Jp Cherok Repair Manual
 - Exploring Different Genres
 - Considering Fiction vs. Non-Fiction
 - Determining Your Reading Goals
3. Choosing the Right eBook Platform
 - Popular eBook Platforms
 - Features to Look for in an Jp Cherok Repair Manual
 - User-Friendly Interface
4. Exploring eBook Recommendations from Jp Cherok Repair Manual
 - Personalized Recommendations
 - Jp Cherok Repair Manual User Reviews and Ratings
 - Jp Cherok Repair Manual and Bestseller Lists
5. Accessing Jp Cherok Repair Manual Free and Paid eBooks
 - Jp Cherok Repair Manual Public Domain eBooks
 - Jp Cherok Repair Manual eBook Subscription Services

- Jp Cherok Repair Manual Budget-Friendly Options
- 6. Navigating Jp Cherok Repair Manual eBook Formats
 - ePub, PDF, MOBI, and More
 - Jp Cherok Repair Manual Compatibility with Devices
 - Jp Cherok Repair Manual Enhanced eBook Features
- 7. Enhancing Your Reading Experience
 - Adjustable Fonts and Text Sizes of Jp Cherok Repair Manual
 - Highlighting and Note-Taking Jp Cherok Repair Manual
 - Interactive Elements Jp Cherok Repair Manual
- 8. Staying Engaged with Jp Cherok Repair Manual
 - Joining Online Reading Communities
 - Participating in Virtual Book Clubs
 - Following Authors and Publishers Jp Cherok Repair Manual
- 9. Balancing eBooks and Physical Books Jp Cherok Repair Manual
 - Benefits of a Digital Library
 - Creating a Diverse Reading Collection Jp Cherok Repair Manual
- 10. Overcoming Reading Challenges
 - Dealing with Digital Eye Strain
 - Minimizing Distractions
 - Managing Screen Time
- 11. Cultivating a Reading Routine Jp Cherok Repair Manual
 - Setting Reading Goals Jp Cherok Repair Manual
 - Carving Out Dedicated Reading Time
- 12. Sourcing Reliable Information of Jp Cherok Repair Manual
 - Fact-Checking eBook Content of Jp Cherok Repair Manual
 - Distinguishing Credible Sources
- 13. Promoting Lifelong Learning
 - Utilizing eBooks for Skill Development
 - Exploring Educational eBooks
- 14. Embracing eBook Trends

- Integration of Multimedia Elements
- Interactive and Gamified eBooks

Jp Cherok Repair Manual Introduction

In the digital age, access to information has become easier than ever before. The ability to download Jp Cherok Repair Manual has revolutionized the way we consume written content. Whether you are a student looking for course material, an avid reader searching for your next favorite book, or a professional seeking research papers, the option to download Jp Cherok Repair Manual has opened up a world of possibilities. Downloading Jp Cherok Repair Manual provides numerous advantages over physical copies of books and documents. Firstly, it is incredibly convenient. Gone are the days of carrying around heavy textbooks or bulky folders filled with papers. With the click of a button, you can gain immediate access to valuable resources on any device. This convenience allows for efficient studying, researching, and reading on the go. Moreover, the cost-effective nature of downloading Jp Cherok Repair Manual has democratized knowledge. Traditional books and academic journals can be expensive, making it difficult for individuals with limited financial resources to access information. By offering free PDF downloads, publishers and authors are enabling a wider audience to benefit from their work. This inclusivity promotes equal opportunities for learning and personal growth. There are numerous websites and platforms where individuals can download Jp Cherok Repair Manual. These websites range from academic databases offering research papers and journals to online libraries with an expansive collection of books from various genres. Many authors and publishers also upload their work to specific websites, granting readers access to their content without any charge. These platforms not only provide access to existing literature but also serve as an excellent platform for undiscovered authors to share their work with the world. However, it is essential to be cautious while downloading Jp Cherok Repair Manual. Some websites may offer pirated or illegally obtained copies of copyrighted material. Engaging in such activities not only violates copyright laws but also undermines the efforts of authors, publishers, and researchers. To ensure ethical downloading, it is advisable to utilize reputable websites that prioritize the legal distribution of content. When downloading Jp Cherok Repair Manual, users should also consider the potential security risks associated with online platforms. Malicious actors may exploit vulnerabilities in unprotected websites to distribute malware or steal personal information. To protect themselves, individuals should ensure their devices have reliable antivirus software installed and validate the legitimacy of the websites they are downloading from. In conclusion, the ability to download Jp Cherok Repair Manual has transformed the way we access information. With the convenience, cost-effectiveness, and accessibility it offers, free PDF downloads have become a popular choice for students, researchers, and book lovers worldwide. However, it is crucial to engage in ethical downloading practices and prioritize personal security when utilizing online platforms. By doing so, individuals can make the most of the

vast array of free PDF resources available and embark on a journey of continuous learning and intellectual growth.

FAQs About Jp Cherok Repair Manual Books

How do I know which eBook platform is the best for me? Finding the best eBook platform depends on your reading preferences and device compatibility. Research different platforms, read user reviews, and explore their features before making a choice. Are free eBooks of good quality? Yes, many reputable platforms offer high-quality free eBooks, including classics and public domain works. However, make sure to verify the source to ensure the eBook credibility. Can I read eBooks without an eReader? Absolutely! Most eBook platforms offer webbased readers or mobile apps that allow you to read eBooks on your computer, tablet, or smartphone. How do I avoid digital eye strain while reading eBooks? To prevent digital eye strain, take regular breaks, adjust the font size and background color, and ensure proper lighting while reading eBooks. What the advantage of interactive eBooks? Interactive eBooks incorporate multimedia elements, quizzes, and activities, enhancing the reader engagement and providing a more immersive learning experience. Jp Cherok Repair Manual is one of the best book in our library for free trial. We provide copy of Jp Cherok Repair Manual in digital format, so the resources that you find are reliable. There are also many Ebooks of related with Jp Cherok Repair Manual. Where to download Jp Cherok Repair Manual online for free? Are you looking for Jp Cherok Repair Manual PDF? This is definitely going to save you time and cash in something you should think about. If you trying to find then search around for online. Without a doubt there are numerous these available and many of them have the freedom. However without doubt you receive whatever you purchase. An alternate way to get ideas is always to check another Jp Cherok Repair Manual. This method for see exactly what may be included and adopt these ideas to your book. This site will almost certainly help you save time and effort, money and stress. If you are looking for free books then you really should consider finding to assist you try this. Several of Jp Cherok Repair Manual are for sale to free while some are payable. If you arent sure if the books you would like to download works with for usage along with your computer, it is possible to download free trials. The free guides make it easy for someone to free access online library for download books to your device. You can get free download on free trial for lots of books categories. Our library is the biggest of these that have literally hundreds of thousands of different products categories represented. You will also see that there are specific sites catered to different product types or categories, brands or niches related with Jp Cherok Repair Manual. So depending on what exactly you are searching, you will be able to choose e books to suit your own need. Need to access completely for Campbell Biology Seventh Edition book? Access Ebook without any digging. And by having access to our ebook online or by storing it on your computer, you have convenient answers with Jp Cherok Repair Manual To get started finding Jp Cherok Repair Manual, you are right to find our website which has a comprehensive

collection of books online. Our library is the biggest of these that have literally hundreds of thousands of different products represented. You will also see that there are specific sites catered to different categories or niches related with Jp Cherok Repair Manual So depending on what exactly you are searching, you will be able to choose ebook to suit your own need. Thank you for reading Jp Cherok Repair Manual. Maybe you have knowledge that, people have search numerous times for their favorite readings like this Jp Cherok Repair Manual, but end up in harmful downloads. Rather than reading a good book with a cup of coffee in the afternoon, instead they juggled with some harmful bugs inside their laptop. Jp Cherok Repair Manual is available in our book collection an online access to it is set as public so you can download it instantly. Our digital library spans in multiple locations, allowing you to get the most less latency time to download any of our books like this one. Merely said, Jp Cherok Repair Manual is universally compatible with any devices to read.

Find Jp Cherok Repair Manual :

~~from earth to herbalist an earth-conscious guide to medicinal plants~~

friends lies and alibis

from fiction to film

friedrich schleiermacher the evolution

from colony to nation

from college to careers audio cd program

friendly divorce guidebook for colorado how to plan negotiate and file your divorce

~~from contract to covenant beyond the law and economics of the family~~

from forgiven to forgiving learning to forgive one another gods way

from boy to man from delinquency to crime studies in crime and justice

from genetic experimentation to biotechnology the critical transition

from ancient times

from freezer fridge pantry nitty gritty cookbooks nitty gritty cookbooks

~~from monopoly to competition the transformations of alcoa 1888-1986~~

from eulogy to joy a heartfelt collection dealing with the grieving process

Jp Cherok Repair Manual :

science education in the early roman empire goodreads - Jul 11 2023

web oct 1 2016 in the first treatment of this subject ever published dr richard carrier answers all these questions and more describing the entire education system of the early roman empire with a unique emphasis on the quality and quantity of its science content

science education in the early roman empire google books - Sep 13 2023

web oct 1 2016 science education in the early roman empire richard carrier pitchstone publishing us ca oct 1 2016 science 224 pages throughout the roman empire cities held public speeches and

science education in the early roman empire pitchstone - May 09 2023

web in the first treatment of this subject ever published dr richard carrier answers all these questions and more describing the entire education system of the early roman empire with a unique emphasis on the quality and quantity of its science content

science in the early roman empire archive org - May 29 2022

web jun 8 2022 science in the early roman empire pliny the elder his sources and influence free download borrow and streaming internet archive

science education in the early roman empire paperback - Jun 29 2022

web science education in the early roman empire carrier richard amazon sg books

roman science world history encyclopedia - Oct 02 2022

web sep 6 2016 the old approach of historians that the romans had no significant science of their own has now been reassessed to reflect their practical contributions to the evolution of fields like architecture engineering and medicine which were underpinned by progress in such sciences as geometry physics and biology

science education in the early roman empire paperback - Jul 31 2022

web throughout the roman empire cities held public speeches and lectures had libraries and teachers and professors in the sciences and the humanities some subsidized by the state there even existed something equivalent to universities and

science education in the early roman empire google play - Feb 06 2023

web science education in the early roman empire ebook written by richard carrier read this book using google play books app on your pc android ios devices download for offline reading highlight bookmark or take notes while you read science education in the early roman empire

science education in the early roman empire amazon com - Sep 01 2022

web oct 1 2016 what did they teach who got to attend them in the first treatment of this subject ever published dr richard carrier answers all these questions and more describing the entire education system of the early roman empire with a unique emphasis on the quality and quantity of its science content

the scientist in the early roman empire google books - Jun 10 2023

web in this extensive sequel to science education in the early roman empire dr richard carrier explores the social history of scientists in the roman era was science in decline or experiencing

science education in the early roman empire overdrive - Mar 07 2023

web oct 1 2016 in the first treatment of this subject ever published dr richard carrier answers all these questions and more describing the entire education system of the early roman empire with a unique emphasis on the quality and quantity of its science content

science education in the early roman empire by richard carrier - Oct 14 2023

web oct 10 2017 the volume at hand is introduced as a prequel to carrier s the scientist in the early roman empire durham nc 2017 and an expanded version of a chapter from his phd dissertation at columbia univ

science education in the early roman empire scribd - Dec 04 2022

web oct 1 2016 read science education in the early roman empire by richard carrier with a free trial read millions of ebooks and audiobooks on the web ipad iphone and android throughout the roman empire cities held public speeches and lectures had libraries and teachers and professors in the sciences and the humanities some subsidized by the

science education in the early roman empire paperback - Apr 27 2022

web oct 1 2016 throughout the roman empire cities held public speeches and lectures had libraries and teachers and professors in the sciences and the humanities some

science education in the early roman empire amazon com - Aug 12 2023

web oct 1 2016 throughout the roman empire cities held public speeches and lectures had libraries and teachers and professors in the sciences and the humanities some subsidized by the state there even existed something equivalent to universities and medical and engineering schools

new book science education in the early roman empire - Nov 03 2022

web apr 23 2016 in the first treatment of this subject ever published dr richard carrier answers all these questions and more describing the entire education system of the early roman empire with a unique emphasis on the quality and quantity of its science content

science education in the early roman empire paperback - Mar 27 2022

web buy science education in the early roman empire by richard carrier isbn 9781634310901 from amazon s book store everyday low prices and free delivery on eligible orders

science education in the early roman empire apple books - Jan 05 2023

web oct 1 2016 in the first treatment of this subject ever published dr richard carrier answers all these questions and more

describing the entire education system of the early roman empire with a unique emphasis on the quality and quantity of its science content

science education in the early roman empire audible com - Apr 08 2023

web in this extensive sequel to science education in the early roman empire dr richard carrier explores the social history of scientists in the roman era was science in decline or experiencing a revival under the romans what was an ancient scientist thought to be and do who were they and who funded their research

roman education world history encyclopedia - Feb 23 2022

web apr 24 2023 roman education had its first primary schools in the 3rd century bce but they were not compulsory and depended entirely on tuition fees there were no official schools in rome nor were there buildings

il farmacista del ghetto di cracovia con e book turtleback - Dec 24 2022

web il farmacista del ghetto di cracovia con e book pankiewicz tadeusz pezzetti marcello picchianti irene amazon com au books

libro il farmacista del ghetto di cracovia pankiewicz tadeusz de - Jun 17 2022

web mar 6 2017 pankiewicz tadeusz il farmacista del ghetto di cracovia di pankiewicz tadeusz recensioni 1 subito disponibile prezzo solo online 15 20 16 00 5 aggiungi alla lista desideri articolo acquistabile con 18app e carta del docente *il farmacista del ghetto di cracovia con e book amazon com br* - Aug 20 2022

web compre online il farmacista del ghetto di cracovia con e book de pankiewicz tadeusz pezzetti marcello picchianti irene na amazon frete grÁtis em milhares de produtos com o amazon prime encontre diversos livros em

il farmacista del ghetto di cracovia amazon com tr - Mar 27 2023

web il farmacista del ghetto di cracovia amazon com tr Çerez tercihlerinizi seçin alışveriş deneyiminizi geliştirmek hizmetlerimizi sunmak müşterilerin hizmetlerimizi nasıl kullandığını anlayarak iyileştirmeler yapabilmek ve tanıtımları gösterebilmek için çerezler ve benzeri araçları kullanmaktayız

il farmacista del ghetto di cracovia copertina flessibile amazon it - Oct 22 2022

web scopri il farmacista del ghetto di cracovia di pankiewicz tadeusz pezzetti marcello picchianti irene spedizione gratuita per i clienti prime e per ordini a partire da 29 spediti da amazon amazon it il farmacista del ghetto di cracovia pankiewicz tadeusz pezzetti marcello picchianti irene libri

il farmacista del ghetto di cracovia libri utet libri - Apr 27 2023

web tadeusz pankiewicz sambor 21 novembre 1908 cracovia 5 novembre 1993 polacco cattolico ha vissuto nel ghetto di cracovia durante l occupazione tedesca titolare della farmacia all aquila dal 1933 dopo la creazione del ghetto nel 1941 ha scelto di tenere ugualmente aperta la sua attività aiutando migliaia di ebrei

il farmacista del ghetto di cracovia google books - Jul 31 2023

web dec 12 2016 il farmacista del ghetto di cracovia tadeusz pankiewicz deagostini libri dec 12 2016 history 288 pages una testimonianza straordinaria la storia vera dell'unico farmacista non ebreo

il farmacista del ghetto di cracovia ebook libraccio it - Feb 11 2022

web il farmacista del ghetto di cracovia è un ebook di tadeusz pankiewicz pubblicato da de agostini il file è nel formato epub2 libraccio it

il farmacista del ghetto di cracovia tadeusz pankiewicz - Sep 20 2022

web il farmacista del ghetto di cracovia o 3 rate da 4 00 senza interessi quando in un quartiere periferico di cracovia viene creato d autorità il ghetto ebraico il 3 marzo 1941 tadeusz pankiewicz ne diventa suo malgrado un abitante

il farmacista del ghetto di cracovia pankiewicz tadeusz - Oct 02 2023

web il farmacista del ghetto di cracovia è un ebook di pankiewicz tadeusz pubblicato da de agostini a 7 99 il file è in formato epub2 con drmfree risparmia online con le offerte ibs

il farmacista del ghetto di cracovia tadeusz pankiewicz libro - May 17 2022

web jan 10 2023 il farmacista del ghetto di cracovia è un libro di tadeusz pankiewicz pubblicato da utet nella collana biblioteca utet acquista su lafeltrinelli a 14 25

amazon it il farmacista del ghetto di cracovia libro - Apr 15 2022

web consigl 15 00 consegna gratuita mar 3 ott sul tuo primo ordine idoneo oppure consegna più rapida domani 1 ott altro formato formato kindle

amazon it recensioni clienti il farmacista del ghetto di cracovia - Jul 19 2022

web panckiewicz polacco non ebreo farmacista nel quartiere incluso nel ghetto ebraico istituito nel marzo del 1941 fece di tutto per non trasferirsi nella parte ariana della città sia evidentemente per preservare la sua proprietà che per non lasciare senza medicinali le migliaia di disperati ammassati in condizioni inumane tra fame freddo ma

il farmacista del ghetto di cracovia con e book lafeltrinelli - Jun 29 2023

web il farmacista del ghetto di cracovia con e book è un libro di tadeusz pankiewicz pubblicato da utet acquista su feltrinelli a 12 80

il farmacista del ghetto di cracovia goodreads - Nov 22 2022

web il farmacista del ghetto di cracovia racconta tutta l'assurdità di un momento storico in cui il capriccio del caso decise il destino di molti ma anche l'incredibile resilienza degli esseri umani di fronte all'orrore

il farmacista del ghetto di cracovia con e book libreria ibs - Sep 01 2023

web il farmacista del ghetto di cracovia con e book è un libro di tadeusz pankiewicz pubblicato da utet acquista su ibs a 16 00

il farmacista del ghetto di cracovia tadeusz pankiewicz libro - Jan 25 2023

web il farmacista del ghetto di cracovia è un libro di tadeusz pankiewicz pubblicato da utet nella collana biblioteca utet acquista su ibs a 17 25

[il farmacista del ghetto di cracovia con e book amazon it](#) - May 29 2023

web scopri il farmacista del ghetto di cracovia con e book di pankiewicz tadeusz pezzetti marcello picchianti irene spedizione gratuita per i clienti prime e per ordini a partire da 29 spediti da amazon

[il farmacista del ghetto di cracovia farmacommunity](#) - Mar 15 2022

web jan 27 2021 era il marzo del 1941 quando il quartiere di podgórze a cracovia veniva chiuso e trasformato in un ghetto ebraico ad opera dei nazisti che occupavano la polonia nel ghetto vennero stipate circa 15 000 persone accalando fino a quattro famiglie all'interno di ogni appartamento mentre molte persone furono costrette a vivere per strada

il farmacista del ghetto di cracovia pankiewicz tadeusz - Feb 23 2023

web biografie biografie e autobiografie il farmacista del ghetto di cracovia di tadeusz pankiewicz autore irene picchianti traduttore utet 2016 3 ebook venditore lafeltrinelli 2 99 30 punti scaricabile subito aggiungi al carrello aggiungi alla lista desideri articolo acquistabile con bonus cultura 18app e carta del docente descrizione

liquid penetrant and magnetic particle testing at level 2 iaea - May 31 2022

web jun 3 2023 asnt level iii liquid penetrant testing 4 of 5 questions and answers 100 correct 7 12 liquid penetrant testing used for maintenance testing of cracks on

liquid penetrant testing exal technology - Nov 05 2022

web jun 28 2023 asnt ndt level iii penetrant testing questions answers this is a full asnt level iii penetrant testing full mock exam answers to questions are provided

asnt questions answers book liquid penetrant - Aug 14 2023

web 1 which of the following is the primary limitation of liquid penetrant testing a penetrant testing cannot be used on ferromagnetic material b penetrant testing cannot locate

asnt level iii study guide liquid penetrant testing pt 3rd ed - Jan 07 2023

web asnt tc 1a principle the basic principle of liquid penetrant testing is that when a very low viscosity highly fluid liquid the penetrant is applied to the surface of a part it will

[pdf free download here pdf fileliquid penetrant testing](#) - Oct 24 2021

asnt level iii study guide liquid penetrant testing method - Apr 10 2023

web this quiz provides liquid penetrant testing pt practice questions for asnt basic exam and mostly similar to exam

equivalent tougher questions to get certified as asnt
liquid penetrant testing questions and answers asnt - Nov 24 2021

examination guide for initial certification - Feb 08 2023

web this edition was updated to reflect the most current information on pt as outlined in cp 105 with new and expanded content and new figures all chapter review questions are

liquid penetrant inspection 50 question quiz amarine - Feb 25 2022

web programs if you re looking for a one stop answer to all your nondestructive testing questions your search ends here principles and applications of liquid penetrant

liquid penetrant testing level 2 pt 2 general examination - Jun 12 2023

web asnt level ii study guide liquid penetrant testing method second edition 6101 magnetic particle testing ndt or accp ndt handbook third edition volume 8

ndt method overview what is liquid penetrant - Dec 06 2022

web nov 3 2019 d level iv answer there s about 50 q a for asnt level ii check this file liquid penetrant inspection 50 question quiz 1 which of the following is the primary

ndt nde asnt questions and answers for pt lpi level ii 3 - Apr 29 2022

web when performing a liquid penetrant test the surface of the part under inspection should be slightly damp clean and smooth to the touch free of oil grease water and other

asnt level iii penetrant testing full mock exam with answers - Sep 03 2022

web penetrant testing a liquid penetrant testing is useful for locating subsurface discontinuities in a test piece b liquid penetrant testing is useful for locating

asnt liquid penetrant testing level ii questions and - Jul 13 2023

web 1 50 flashcards learn test match q chat created by terms in this set 50 a common application of an aluminium block containing quench cracks is to a determine

asnt questions and answers for pt lpi level ii 2 amarine - Oct 04 2022

web nov 3 2019 asnt questions and answers for pt lpi level ii 1 1 which of the items listed below is not an advantage of the liquid penetrant test method the method is

asnt ndt level ii certification requirements - May 11 2023

web page 21 change question 3 1 to read 3 1 two basic properties of a liquid that control its penetrating capability are a contact angle and viscosity b contact angle and capillary

questions and answers level i ii and iii liquid penetrant testing - Jan 27 2022

web it is your no question own time to bill reviewing habit along with guides you could enjoy now is liquid penetrant testing questions and answers asnt below ultrasonic flaw

liquid penetrant testing questions paper 2 asnt basic - Mar 09 2023

web 1 article 6 liquid penetrant examination asme 2 standard practice for liquid penetrant method se 165 3 mil std 6866 4 standard test method for fluorescent penetrant

asnt questions and answers for pt lpi level ii 1 amarine - Aug 02 2022

web methods i e liquid penetrant testing magnetic particle testing eddy current testing radiographic testing and ultrasonic testing and the second and revised is iaea

liquid penetrant testing questions and answers asnt - Dec 26 2021

web free download here pdf fileliquid penetrant testing questions and answers asnt pdf free download here american society for nondestructive testing

asnt level iii liquid penetrant testing 4 of 5 questions and - Mar 29 2022

web download view questions and answers level i ii and iii liquid penetrant testing method pdf as pdf for free

non destructive testing conduct of examinations at levels 1 and - Jul 01 2022

web nov 3 2019 which of the statements below apply to the liquid penetrant method of testing a the penetrant test method is less flexible than eddy current test method b