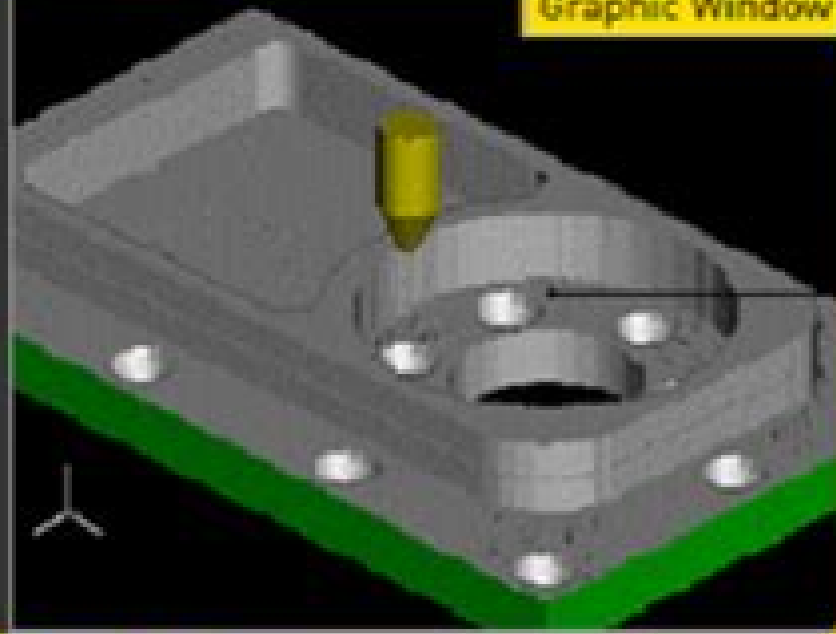


Machine Status Window

X	120.5000	S₁	2002	F	570
Y	20.0960	S₂	50		
Z	-28.0000	S₃	0		
A	0.0000				
B	0.0000				
C	0.0000				

Graphic Window



```

1 OBRN L/ABC.MEL-021/3
2 G2000 G000 L100.00
3 G1110 G1 X100.000 Y100.000 Z100.000 F1000.000
4 F100
5 G1040 G10.15 F1000.0000 G90.0000 Y100.0000
6
7 G1200 T1.00 W0.00 W0.00
8 G1202 M7.5 W13.000000000000000000 F100.0000 G90.0000
9 W0.00 W0.00 T1.00
10
11 G1203 M95.000000000000000000 F100.000000000000000000
12-13
14 G1200 T1.00 W0.00 W0.00
15 G1202 M7.5 W13.000000000000000000 F100.0000 G90.0000
16 W0.00 W0.00 T1.00
17 G1203 M95.000000000000000000 F100.000000000000000000
18-19
20 G1200
21 M00
    
```

Program Window

RECALL START FEEDS SINGLE STOP PAUSE GRAB ENTER FLYBY GOBY

Ge Fanuc Manual Guide I Training

Annelies Wilder-Smith



Ge Fanc Manual Guide I Training:

Reviewing **Ge Fanuc Manual Guide I Training**: Unlocking the Spellbinding Force of Linguistics

In a fast-paced world fueled by information and interconnectivity, the spellbinding force of linguistics has acquired newfound prominence. Its capacity to evoke emotions, stimulate contemplation, and stimulate metamorphosis is truly astonishing. Within the pages of "**Ge Fanuc Manual Guide I Training**," an enthralling opus penned by a very acclaimed wordsmith, readers embark on an immersive expedition to unravel the intricate significance of language and its indelible imprint on our lives. Throughout this assessment, we shall delve to the book is central motifs, appraise its distinctive narrative style, and gauge its overarching influence on the minds of its readers.

https://staging.conocer.cide.edu/files/detail/Download_PDFS/Eduard%20C%20Lindeman%20And%20Social%20Work%20Philosophy.pdf

Table of Contents Ge Fanuc Manual Guide I Training

1. Understanding the eBook Ge Fanuc Manual Guide I Training
 - The Rise of Digital Reading Ge Fanuc Manual Guide I Training
 - Advantages of eBooks Over Traditional Books
2. Identifying Ge Fanuc Manual Guide I Training
 - Exploring Different Genres
 - Considering Fiction vs. Non-Fiction
 - Determining Your Reading Goals
3. Choosing the Right eBook Platform
 - Popular eBook Platforms
 - Features to Look for in an Ge Fanuc Manual Guide I Training
 - User-Friendly Interface
4. Exploring eBook Recommendations from Ge Fanuc Manual Guide I Training
 - Personalized Recommendations
 - Ge Fanuc Manual Guide I Training User Reviews and Ratings

- Ge Fanuc Manual Guide I Training and Bestseller Lists
- 5. Accessing Ge Fanuc Manual Guide I Training Free and Paid eBooks
 - Ge Fanuc Manual Guide I Training Public Domain eBooks
 - Ge Fanuc Manual Guide I Training eBook Subscription Services
 - Ge Fanuc Manual Guide I Training Budget-Friendly Options
- 6. Navigating Ge Fanuc Manual Guide I Training eBook Formats
 - ePub, PDF, MOBI, and More
 - Ge Fanuc Manual Guide I Training Compatibility with Devices
 - Ge Fanuc Manual Guide I Training Enhanced eBook Features
- 7. Enhancing Your Reading Experience
 - Adjustable Fonts and Text Sizes of Ge Fanuc Manual Guide I Training
 - Highlighting and Note-Taking Ge Fanuc Manual Guide I Training
 - Interactive Elements Ge Fanuc Manual Guide I Training
- 8. Staying Engaged with Ge Fanuc Manual Guide I Training
 - Joining Online Reading Communities
 - Participating in Virtual Book Clubs
 - Following Authors and Publishers Ge Fanuc Manual Guide I Training
- 9. Balancing eBooks and Physical Books Ge Fanuc Manual Guide I Training
 - Benefits of a Digital Library
 - Creating a Diverse Reading Collection Ge Fanuc Manual Guide I Training
- 10. Overcoming Reading Challenges
 - Dealing with Digital Eye Strain
 - Minimizing Distractions
 - Managing Screen Time
- 11. Cultivating a Reading Routine Ge Fanuc Manual Guide I Training
 - Setting Reading Goals Ge Fanuc Manual Guide I Training
 - Carving Out Dedicated Reading Time
- 12. Sourcing Reliable Information of Ge Fanuc Manual Guide I Training
 - Fact-Checking eBook Content of Ge Fanuc Manual Guide I Training
 - Distinguishing Credible Sources

13. Promoting Lifelong Learning
 - Utilizing eBooks for Skill Development
 - Exploring Educational eBooks
14. Embracing eBook Trends
 - Integration of Multimedia Elements
 - Interactive and Gamified eBooks

Ge Fanuc Manual Guide I Training Introduction

In this digital age, the convenience of accessing information at our fingertips has become a necessity. Whether its research papers, eBooks, or user manuals, PDF files have become the preferred format for sharing and reading documents. However, the cost associated with purchasing PDF files can sometimes be a barrier for many individuals and organizations. Thankfully, there are numerous websites and platforms that allow users to download free PDF files legally. In this article, we will explore some of the best platforms to download free PDFs. One of the most popular platforms to download free PDF files is Project Gutenberg. This online library offers over 60,000 free eBooks that are in the public domain. From classic literature to historical documents, Project Gutenberg provides a wide range of PDF files that can be downloaded and enjoyed on various devices. The website is user-friendly and allows users to search for specific titles or browse through different categories. Another reliable platform for downloading Ge Fanuc Manual Guide I Training free PDF files is Open Library. With its vast collection of over 1 million eBooks, Open Library has something for every reader. The website offers a seamless experience by providing options to borrow or download PDF files. Users simply need to create a free account to access this treasure trove of knowledge. Open Library also allows users to contribute by uploading and sharing their own PDF files, making it a collaborative platform for book enthusiasts. For those interested in academic resources, there are websites dedicated to providing free PDFs of research papers and scientific articles. One such website is Academia.edu, which allows researchers and scholars to share their work with a global audience. Users can download PDF files of research papers, theses, and dissertations covering a wide range of subjects. Academia.edu also provides a platform for discussions and networking within the academic community. When it comes to downloading Ge Fanuc Manual Guide I Training free PDF files of magazines, brochures, and catalogs, Issuu is a popular choice. This digital publishing platform hosts a vast collection of publications from around the world. Users can search for specific titles or explore various categories and genres. Issuu offers a seamless reading experience with its user-friendly interface and allows users to download PDF files for offline reading. Apart from dedicated platforms, search engines also play a crucial role in finding free PDF files. Google, for instance, has an advanced search feature that allows users to filter results by file type. By specifying the file type as "PDF," users can find websites that

offer free PDF downloads on a specific topic. While downloading Ge Fanuc Manual Guide I Training free PDF files is convenient, its important to note that copyright laws must be respected. Always ensure that the PDF files you download are legally available for free. Many authors and publishers voluntarily provide free PDF versions of their work, but its essential to be cautious and verify the authenticity of the source before downloading Ge Fanuc Manual Guide I Training. In conclusion, the internet offers numerous platforms and websites that allow users to download free PDF files legally. Whether its classic literature, research papers, or magazines, there is something for everyone. The platforms mentioned in this article, such as Project Gutenberg, Open Library, Academia.edu, and Issuu, provide access to a vast collection of PDF files. However, users should always be cautious and verify the legality of the source before downloading Ge Fanuc Manual Guide I Training any PDF files. With these platforms, the world of PDF downloads is just a click away.

FAQs About Ge Fanuc Manual Guide I Training Books

1. Where can I buy Ge Fanuc Manual Guide I Training books? Bookstores: Physical bookstores like Barnes & Noble, Waterstones, and independent local stores. Online Retailers: Amazon, Book Depository, and various online bookstores offer a wide range of books in physical and digital formats.
2. What are the different book formats available? Hardcover: Sturdy and durable, usually more expensive. Paperback: Cheaper, lighter, and more portable than hardcovers. E-books: Digital books available for e-readers like Kindle or software like Apple Books, Kindle, and Google Play Books.
3. How do I choose a Ge Fanuc Manual Guide I Training book to read? Genres: Consider the genre you enjoy (fiction, non-fiction, mystery, sci-fi, etc.). Recommendations: Ask friends, join book clubs, or explore online reviews and recommendations. Author: If you like a particular author, you might enjoy more of their work.
4. How do I take care of Ge Fanuc Manual Guide I Training books? Storage: Keep them away from direct sunlight and in a dry environment. Handling: Avoid folding pages, use bookmarks, and handle them with clean hands. Cleaning: Gently dust the covers and pages occasionally.
5. Can I borrow books without buying them? Public Libraries: Local libraries offer a wide range of books for borrowing. Book Swaps: Community book exchanges or online platforms where people exchange books.
6. How can I track my reading progress or manage my book collection? Book Tracking Apps: Goodreads, LibraryThing, and Book Catalogue are popular apps for tracking your reading progress and managing book collections. Spreadsheets: You can create your own spreadsheet to track books read, ratings, and other details.

7. What are Ge Fanuc Manual Guide I Training audiobooks, and where can I find them? Audiobooks: Audio recordings of books, perfect for listening while commuting or multitasking. Platforms: Audible, LibriVox, and Google Play Books offer a wide selection of audiobooks.
8. How do I support authors or the book industry? Buy Books: Purchase books from authors or independent bookstores. Reviews: Leave reviews on platforms like Goodreads or Amazon. Promotion: Share your favorite books on social media or recommend them to friends.
9. Are there book clubs or reading communities I can join? Local Clubs: Check for local book clubs in libraries or community centers. Online Communities: Platforms like Goodreads have virtual book clubs and discussion groups.
10. Can I read Ge Fanuc Manual Guide I Training books for free? Public Domain Books: Many classic books are available for free as they're in the public domain. Free E-books: Some websites offer free e-books legally, like Project Gutenberg or Open Library.

Find Ge Fanuc Manual Guide I Training :

~~eduard c. lindeman and social work philosophy.~~

educational patterns in contemporary societies

education for development in asia

education and the education of teachers

education the values crisis in central

~~editors choice literature graphics from the u s small press 1965-1977~~

education for annihilation by boyer william h

edgar and the pink sucker

edexcel gcse modular mathematics foundation stage 2 examples and practice edexcel gcse mathematics

education standards for critical care nursing

educators guide to free videotapes 2000-2001 elementary/middle school edition pb 2001

edoardo weiss the house that freud built

edexcel as and a level statistics 2 heinemann modular mathematics

eden revival

edificatory prose of kievan rus

Ge Fanuc Manual Guide I Training :

pltw poen a assignment 2 1 4 course hero - Apr 29 2022

web calculate the x and y components of the resultant force r by summing the x and y components of vectors a and b 22 l133 14 3 23 qc v 2012 project lead the way inc principles of engineering activity 2 1 4 calculating force vectors page 2 an eye screw is ex and h 50n perienicing two tension forces g 100n 1 1 ketch vector g

activity 2 1 4 calculating force vectors stuvia - Mar 09 2023

web feb 12 2022 principles of engineering institution sophomore 10th grade drawing free body diagrams to help calculate the magnitude and direction of forces preview 2 out of 5 pages

calculating force vectors pltw - Dec 06 2022

web title calculating force vectors pltw author jens westheimer from orientation sutd edu sg subject calculating force vectors pltw keywords pltw force calculating

poe 2 1 mr bartos website - Jun 12 2023

web in this section you will learn how to identify and calculate forces acting on a body when it is in static equilibrium then calculate internal and external forces of a truss and use this knowledge to design build and test truss designs

lieu pltw forces and vectors google sites - Feb 08 2023

web description building off of free body diagrams forces and vectors builds on our foundation of what forces are and bridges it with calculations here s an example scenario that calculating force vectors can help us with provided by pltw if guy wires are used to stabilize a tower what is the

2 1 4 a calculating force vectors studocu - Oct 16 2023

web in this activity you will calculate force vectors 1 what is the magnitude of vector a 5 2 what is the direction of vector a relative to the negative y axis 30 counterclockwise 4 what is the sense of vector a negative down positive right 6 sketch vector a with its x and y components solve for component forces with a precision of 0

pltw poe new 23 24 activity 2 1 3 force vectors youtube - Sep 15 2023

web this video covers how to calculate force vectors magnitude vectors and final angle via functions in google sheets link to copy of spreadsheet used in the v

unit 2 materials and statics pltw engineering academy - Aug 14 2023

web in this activity you will identify the centroid location of common and complex shapes using object symmetry mathematics and mdsolids software calculate and label the centroid location calculate label and dimension the x and y components

unit 2 1 pltw engineering classes - May 31 2022

web activity 2 1 4 calculating force vectors i have attached the answer key here so you can check your work as you go do not

use the key to cheat instead try doing the problems first and then check your answers answer key for activity 2 1 4 if you finish before the end of the period use the time to look over the final exam review materials

pltw engineering classes - Mar 29 2022

web pk o8 1 ž content types xml vmoÛ0 ½ Ø 0 l 0 cœ î x í Ęt Íú Ä4É e7if v ŽÀÇÇÇgjĚ f^a gp Åwé Ž sh½Éâ ë ĘÇ8òÈuÁ àã ÕÛ7ĚõÑ zû Þ ŮoĚy Å j h s éÓm ââ7ß 0a4 Æ f¼zP ^î¹Ão q v ú Ô½3Ö gŸ è ¹µ Ôe ubĚr ĘØ j jđĩ Āûkrø ßu Ý hž vo k t Ÿ

pltw calculating force vectors activity 2 1 4 calculating - Oct 04 2022

web instructio engineerin activity 2 1 4 calculating force vectors show all work 15 22introduction if guy wires are used to stabilize a tower what is the minimum number of wires necessary imagine what would happen if you only used one or two wires the guy wires work together so that the tower does not fall in any direction

2 1 4 calculating force vectors anskey documents and e books - Sep 03 2022

web calculate the resultant force fr by summing the x and y components of vectors a and b sfx fax fbx sfx 0 sfy fay fby sfy 9 n project lead the way inc copyright 2010 poe unit 2 activity 2 1 4 calculating force vectors answer key page 2 an eye screw is experiencing two tension forces g 100n and h 50n

aa1 force vectors 1 pdf 10 15 2019 activity 2 1 4 calculating - Nov 05 2022

web view force vectors 1 pdf from aa 110 15 2019 activity 2 1 4 calculating force vectors pltw engineering activity 2 1 4 calculating force vectors introduction if guy wires are used to stabilize a

2 1 4 calculating force vectors weebly - Jul 13 2023

web 2 1 4 calculating force vectors introduction if guy wires are used to stabilize a tower what is the minimum number of wires necessary imagine what would happen if you only used one or two wires the guy wires work together so that the tower does not fall

2 1 4 calculating net force pltw poe youtube - Apr 10 2023

web in this lesson we review three net force problems and offer a review on how to resolve a vector into components we also take the time to discuss the steps involved in finding net force as well as

activity 2 1 4 calculating force vectors principles of engineering pdf - Jan 07 2023

web pltw engineering activity 2 1 4 calculating force vectors distance learning ai homework help expert help study resources log in join activity 2 1 4 calculating force vectors principles of engineering pdf doc preview pages 6 total views 15 lebanon trail high school eng eng 2 brigadiercrown9657 8 27 2022 view full

calculating force vectors pdf activity 2 1 4 calculating - May 11 2023

web view calculating force vectors pdf from pltw poe at butler university activity 2 1 4 calculating force vectors introduction if guy wires are used to stabilize a tower what is the minimum number of upload to study

activity 2 1 4 calculating force vectors answer key 5 sin 30 - Jul 01 2022

web procedure in this activity you will calculate force vectors 1 what is the magnitude of vector a 5 On 2 what is the direction of vector a relative to the negative y axis 30 ccw 4 what is the sense of vector a down and to the right 6 sketch vector a with its x and y components solve for component forces with a precision of 0 0

build the future activity 2 1 4 calculating force vectors blogger - Aug 02 2022

web dec 6 2013 it does if you re in the right mode degrees unknown december 5 2016 at 5 18 am facto anonymous december 5 2016 at 6 30 am yeee unknown january 24 2017 at 12 45 pm it dose equal 2 5 anonymous february 6 2018 at 11 11 am your stupid sin 30 1 2 so multiply that by 5 and boooooom magic 2 5
force vector addition vcalc - Feb 25 2022

web apr 9 2018 the formula for the addition of two force vectors is $c = \sqrt{a^2 + b^2 + 2ab \cos \theta}$ where α is the resulting vector angle y is the resulting vector vertical offset c is the sum of the two force vectors a is the first force vector b is the second force vector

this land 9781421407814 9780801889172 vitalsource - Dec 12 2022

this land the battle over sprawl and the future of america is written by anthony flint and published by jhup the digital and etextbook isbn for this land are 9780801889172 0801889170 and the print isbn are 9781421407814 1421407817 save up to 80 versus print by going digital with vitalsource

this land the battle over sprawl and the future of america - Jan 13 2023

a veteran journalist who covered planning development and housing for the boston globe for sixteen years and a visiting scholar in 2005 at the harvard design school flint reveals some surprising truths about the future and how we live in this land
[this land the battle over sprawl and the future of america by](#) - Oct 10 2022

sep 15 2012 this land the battle over sprawl and the future of america 312 by anthony flint editorial reviews read an excerpt of this book add to wishlist this land the battle over sprawl and the future of america 312 by anthony flint editorial reviews paperback updated 30 00

this land the battle over sprawl and the future of america - Aug 20 2023

apr 21 2006 this land the battle over sprawl and the future of america hardcover illustrated april 21 2006 despite a modest revival in city living americans are spreading out more than ever into exurbs and boomburbs miles

this land the battle over sprawl and the future of america - Jun 06 2022

buy this land the battle over sprawl and the future of america illustrated by flint anthony isbn 9781421407814 from amazon s book store everyday low prices and free delivery on eligible orders this land the battle over sprawl and the future of america amazon co uk flint anthony 9781421407814 books

this land hopkins press - May 17 2023

sep 15 2012 this land is an important discussion of the future of america its cities and what lies outside of it midwest book review with evidence growing regarding the impact of density on innovation and economic growth anthony flint s excellent this land couldn t come along at a

what are the roots of the israel palestine conflict - Apr 04 2022

oct 13 2023 the six day war was a spectacular military success for israel its capture of all of jerusalem and newly acquired control over the biblical lands called judea and samaria in israel opened the way

this land the battle over sprawl and the future of - Sep 21 2023

author s flint anthony abstract in a calorie conscious word sprawl beckons like a hot fudge sundae begins anthony flint in this land the battle over sprawl and the future of america his analysis of the different forces that shape land use patterns in the united states

this land the battle over sprawl and the future of america - Feb 02 2022

this land the battle over sprawl and the future of america ebook flint anthony amazon in kindle store

project muse this land - Mar 15 2023

this land the battle over sprawl and the future of america book anthony flint 2006 published by johns hopkins university press view buy this book in print summary despite a modest revival in city living americans are spreading out more than ever into exurbs and boomburbs miles from anywhere in big houses in big subdivisions

book review this land the battle over sprawl and the future of - Nov 11 2022

may 1 2007 book review this land the battle over sprawl and the future of america by anthony flint baltimore johns hopkins university press 2006 298 pp 24 95 cloth tom urbaniak

this land the battle over sprawl and the future of america - Apr 16 2023

jul 1 2006 sprawl is bread and butter for these business interests a vocal contingent of commentators and researchers often supported by foundations and think tanks has emerged to do battle against smart growth proponents some of them make extreme charges

this land the battle over sprawl and the future of america google books - Jun 18 2023

may 10 2006 in this land veteran journalist and harvard scholar anthony flint tells the untold story of development in america it is the story of a burgeoning anti sprawl movement a 1960s style

israel faces the danger of fighting on a second front the economist - Jul 07 2022

oct 13th 2023 share a s israel orders an evacuation of gaza and prepares to invade it there are ominous signals on its northern border with lebanon where the opening of a second front would

this land the battle over sprawl and the future of america - Sep 09 2022

select search scope currently catalog all catalog articles website more in one search catalog books media more in the stanford libraries collections articles journal articles other e resources

this land the battle over sprawl and the future of america - May 05 2022

select the department you want to search in

this land the battle over sprawl and the future of america goodreads - Jul 19 2023

apr 10 2006 this land tells the untold story of development in america how the landscape is shaped by a furious clash of political economic and cultural forces it is the story of burgeoning anti sprawl movement a 1960s style revolution of

this land the battle over sprawl and the future of america - Feb 14 2023

this land tells the untold story of development in america how the landscape is shaped by a furious clash of political economic and cultural forces it is the story of burgeoning anti sprawl movement a 1960s style revolution of new urbanism smart growth and green building

[this land the battle over sprawl and the future of america](#) - Mar 03 2022

this land the battle over sprawl and the future of america ebook flint anthony amazon com au kindle store

[this land the battle over sprawl and the future of america](#) - Aug 08 2022

jan 1 2006 this land the battle over sprawl and the future of america january 2006 doi authors anthony flint request full text abstract despite a modest revival in city living americans are spreading

silbermond das liederbuch 2004 2010 songbook fur pdf - Sep 05 2022

web jul 4 2023 discover the broadcast silbermond das liederbuch 2004 2010 songbook fur pdf that you are looking for it will categorically squander the time however below in the manner of you visit this web page it will be so no question simple to acquire as with ease as download guide silbermond das liederbuch 2004 2010 songbook fur pdf

bosworth music silbermond das liederbuch 2004 2010 - Apr 12 2023

web das songbook enthält 14 komplette klavierarrangements und 36 leadsheets mit melodielinie akkorden vollständigem text und den gitarrengriffen außerdem bisher unveröffentlichtes fotomaterial und 15 fangeschichten mit anekdoten und konzernerlebnissen

silbermond das liederbuch 2004 2010 songbook fur - Feb 27 2022

web silbermond das liederbuch 2004 2010 songbook fur religionsverbindende feiern jul 27 2022 multireligiöse interreligiöse oder andere formen religionsverbindender gebete und feiern haben sich in den vergangenen 30 jahren im deutschsprachigen raum entwickelt sie finden statt in schulen

das liederbuch 2004 2010 buch bei weltbild de online bestellen - Jan 09 2023

web produktbeschreibung biblio angaben produktetails produktinformationen zu das liederbuch 2004 2010 das songbook mit 50 liedern der bautzener erfolgsrocker mit 14 kompletten klavierarrangements und 36 leadsheets mit melodieline akkorden vollständigem text und den gitarrengriffen

[silbermond das liederbuch 2004 2010 melody line lyrics](#) - Jul 15 2023

web title silbermond das liederbuch 2004 2010 melody line lyrics chords piano vocal guitar artist songbook author silbermond artist new book ships from united kingdom via airmail with tracking delivered by usps allow 2 4 weeks due to current circumstances publication date mar 01 2010 binding paperback pages 208 foreign

silbermond das liederbuch 2004 2010 stretta music - Feb 10 2023

web silbermond silbermond das liederbuch 2004 2010 songbook schnelle und zuverlässige lieferung weltweit

[silbermond das liederbuch 2004 2010 songbook fur copy](#) - Jan 29 2022

web das liederbuch 2004 2010 songbook fur but end taking place in harmful downloads rather than enjoying a good ebook following a cup of coffee in the afternoon on the other hand they juggled in the manner of some harmful virus inside their computer silbermond das liederbuch 2004 2010 songbook fur is friendly in

silbermond das liederbuch 2004 2010 songbook für gesang - Jun 14 2023

web silbermond das liederbuch 2004 2010 songbook für gesang klavier gitarre 14 kompletten klavierarrangements und 36 leadsheets silbermond amazon de books

stadtbibliothek graz silbermond das liederbuch 2004 2010 - Dec 28 2021

web in diesem songbook sind alle 50 songs der silbermond alben von 2004 bis 2010 enthalten mit dabei sind hits wie verschwende deine zeit laut gedacht und nichts passiert

silbermond das liederbuch 2004 2010 solo ensemble - Dec 08 2022

web in diesem songbook sind alle 50 songs der silbermond alben von 2004 bis 2010 enthalten mit dabei sind hits wie verschwende deine zeit laut gedacht und nichts passiert das songbook enthält 14 komplette klavierarrangements und 36 leadsheets mit melodieline akkorden vollständigem text und den gitarrengriffen

silbermond das liederbuch 2004 2010 hal leonard online - Nov 07 2022

web view the product silbermond das liederbuch 2004 2010 series bosworth medium format general merchandise voicing piano voice guitar

silbermond das liederbuch 2004 2010 songbook fur pdf pdf - Jun 02 2022

web jun 28 2023 silbermond das liederbuch 2004 2010 songbook fur pdf if you ally compulsion such a referred silbermond das liederbuch 2004 2010 songbook fur pdf book that will have enough money you worth get the definitely best seller from us currently from several preferred authors if you want to funny books lots of novels tale jokes and

liederbuch silbermond wiki - Oct 06 2022

web in diesem songbook sind alle 50 songs der silbermond alben von 2004 bis 2010 enthalten mit dabei sind hits wie verschwende deine zeit laut gedacht und nichts passiert das songbook enthält 14 komplette klavierarrangements und 36 leadsheets mit melodielinie akkorden vollständigem text und den gitarrengriffen

silbermond das liederbuch 2004 2010 songbook für gesang - Aug 16 2023

web silbermond das liederbuch 2004 2010 songbook für gesang klavier gitarre 14 kompletten klavierarrangements und 36 leadsheets silbermond isbn 9783865433817 kostenloser versand für alle bücher mit versand und verkauf durch amazon

silbermond das liederbuch 2004 2010 songbook für pdf api - Mar 31 2022

web silbermond das liederbuch 2004 2010 songbook für 1 silbermond das liederbuch 2004 2010 songbook für when people should go to the ebook stores search commencement by shop shelf by shelf it is in point of fact problematic this is why we offer the ebook compilations in this website it will unquestionably ease you to see guide

silbermond das liederbuch 2004 2010 songbook für pdf pdf - May 13 2023

web introduction silbermond das liederbuch 2004 2010 songbook für pdf pdf from descant to treble brian bonson 1987 03 schott this work is likely to become a standard work very quickly and is to be recommended to all schools where recorder studies are undertaken oliver james contact magazine

silbermond das liederbuch lehrerbibliothek de - Mar 11 2023

web in diesem songbook sind alle 50 songs der silbermond alben von 2004 bis 2010 enthalten mit dabei sind hits wie verschwende deine zeit laut gedacht und nichts passiert das songbook enthält 14 komplette klavierarrangements und 36 leadsheets mit melodielinie akkorden vollständigem text und den gitarrengriffen

silbermond das liederbuch 2004 2010 songbook für pdf - May 01 2022

web the manner of this one merely said the silbermond das liederbuch 2004 2010 songbook für pdf is universally compatible later any devices to read rhapsody in bluegrass joseph m cop martin 2018 07 08 glory sound set hearts soaring with this joyful christmas cantata based on

silbermond das liederbuch 2004 2010 songbook für pdf pdf - Aug 04 2022

web enter the realm of silbermond das liederbuch 2004 2010 songbook für pdf a mesmerizing literary masterpiece penned by way of a distinguished author guiding readers on a profound journey to unravel the secrets and potential hidden within every word

silbermond das liederbuch 2004 2010 songbook für pdf - Jul 03 2022

web enjoy now is silbermond das liederbuch 2004 2010 songbook für pdf below fun and games with the alto recorder gudrun heyens 1998 solos for guitar frederic hand 2011 03 11 eleven original compositions for the classical guitar composed in the

eclectic style for which frederic hand has become well known