

NOTE:
Please read all instructions
carefully before using this
product

Table of Contents
Safety Notice
Hardware Identifier
Assembly Instruction
Parts List
Warranty
Ordering Parts

Model
MSS-1280

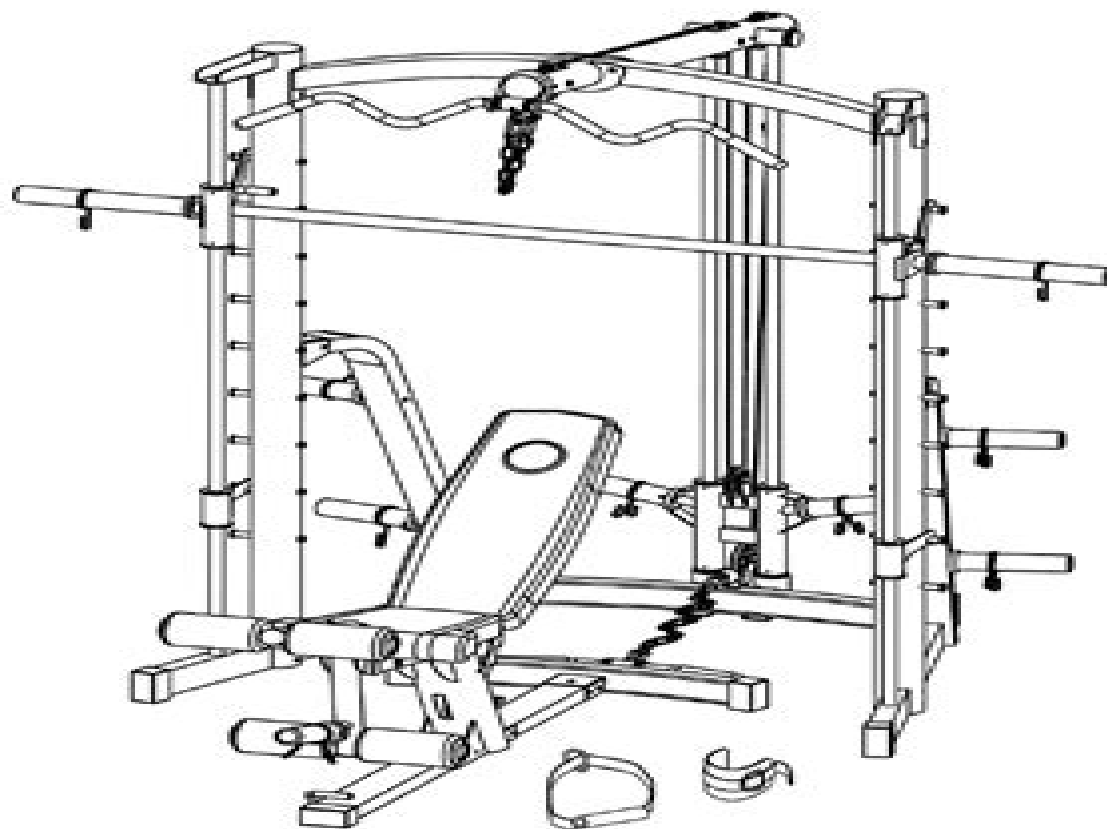
Retain This
Manual for
Reference

08-03-09

**OWNER'S
MANUAL**

sa gear™

DELUXE SMITH MACHINE MSS-1280



IMPEX® INC.

14777 DON JULIAN RD., CITY OF INDUSTRY, CA 91746

Tel: (800) 999-8899 Fax: (626) 961-9966

www.impex-fitness.com

info@impex-fitness.com

Mss 1280 User Manual

Jicheng Xie



Mss 1280 User Manual:

Unveiling the Energy of Verbal Artistry: An Mental Sojourn through **Mss 1280 User Manual**

In some sort of inundated with screens and the cacophony of quick conversation, the profound energy and psychological resonance of verbal beauty usually disappear into obscurity, eclipsed by the constant assault of noise and distractions. However, nestled within the lyrical pages of **Mss 1280 User Manual**, a charming function of literary elegance that pulses with organic emotions, lies an memorable journey waiting to be embarked upon. Penned by a virtuoso wordsmith, this interesting opus manuals viewers on a psychological odyssey, gently revealing the latent possible and profound affect embedded within the elaborate internet of language. Within the heart-wrenching expanse of the evocative analysis, we shall embark upon an introspective exploration of the book is key subjects, dissect their interesting publishing fashion, and immerse ourselves in the indelible impression it leaves upon the depths of readers souls.

<https://staging.conocer.cide.edu/book/browse/default.aspx/From%20Tinys%20Kitchen.pdf>

Table of Contents Mss 1280 User Manual

1. Understanding the eBook Mss 1280 User Manual
 - The Rise of Digital Reading Mss 1280 User Manual
 - Advantages of eBooks Over Traditional Books
2. Identifying Mss 1280 User Manual
 - Exploring Different Genres
 - Considering Fiction vs. Non-Fiction
 - Determining Your Reading Goals
3. Choosing the Right eBook Platform
 - Popular eBook Platforms
 - Features to Look for in an Mss 1280 User Manual
 - User-Friendly Interface
4. Exploring eBook Recommendations from Mss 1280 User Manual
 - Personalized Recommendations

- Mss 1280 User Manual User Reviews and Ratings
- Mss 1280 User Manual and Bestseller Lists
- 5. Accessing Mss 1280 User Manual Free and Paid eBooks
 - Mss 1280 User Manual Public Domain eBooks
 - Mss 1280 User Manual eBook Subscription Services
 - Mss 1280 User Manual Budget-Friendly Options
- 6. Navigating Mss 1280 User Manual eBook Formats
 - ePub, PDF, MOBI, and More
 - Mss 1280 User Manual Compatibility with Devices
 - Mss 1280 User Manual Enhanced eBook Features
- 7. Enhancing Your Reading Experience
 - Adjustable Fonts and Text Sizes of Mss 1280 User Manual
 - Highlighting and Note-Taking Mss 1280 User Manual
 - Interactive Elements Mss 1280 User Manual
- 8. Staying Engaged with Mss 1280 User Manual
 - Joining Online Reading Communities
 - Participating in Virtual Book Clubs
 - Following Authors and Publishers Mss 1280 User Manual
- 9. Balancing eBooks and Physical Books Mss 1280 User Manual
 - Benefits of a Digital Library
 - Creating a Diverse Reading Collection Mss 1280 User Manual
- 10. Overcoming Reading Challenges
 - Dealing with Digital Eye Strain
 - Minimizing Distractions
 - Managing Screen Time
- 11. Cultivating a Reading Routine Mss 1280 User Manual
 - Setting Reading Goals Mss 1280 User Manual
 - Carving Out Dedicated Reading Time
- 12. Sourcing Reliable Information of Mss 1280 User Manual
 - Fact-Checking eBook Content of Mss 1280 User Manual

- Distinguishing Credible Sources
- 13. Promoting Lifelong Learning
 - Utilizing eBooks for Skill Development
 - Exploring Educational eBooks
- 14. Embracing eBook Trends
 - Integration of Multimedia Elements
 - Interactive and Gamified eBooks

Mss 1280 User Manual Introduction

In the digital age, access to information has become easier than ever before. The ability to download Mss 1280 User Manual has revolutionized the way we consume written content. Whether you are a student looking for course material, an avid reader searching for your next favorite book, or a professional seeking research papers, the option to download Mss 1280 User Manual has opened up a world of possibilities. Downloading Mss 1280 User Manual provides numerous advantages over physical copies of books and documents. Firstly, it is incredibly convenient. Gone are the days of carrying around heavy textbooks or bulky folders filled with papers. With the click of a button, you can gain immediate access to valuable resources on any device. This convenience allows for efficient studying, researching, and reading on the go. Moreover, the cost-effective nature of downloading Mss 1280 User Manual has democratized knowledge. Traditional books and academic journals can be expensive, making it difficult for individuals with limited financial resources to access information. By offering free PDF downloads, publishers and authors are enabling a wider audience to benefit from their work. This inclusivity promotes equal opportunities for learning and personal growth. There are numerous websites and platforms where individuals can download Mss 1280 User Manual. These websites range from academic databases offering research papers and journals to online libraries with an expansive collection of books from various genres. Many authors and publishers also upload their work to specific websites, granting readers access to their content without any charge. These platforms not only provide access to existing literature but also serve as an excellent platform for undiscovered authors to share their work with the world. However, it is essential to be cautious while downloading Mss 1280 User Manual. Some websites may offer pirated or illegally obtained copies of copyrighted material. Engaging in such activities not only violates copyright laws but also undermines the efforts of authors, publishers, and researchers. To ensure ethical downloading, it is advisable to utilize reputable websites that prioritize the legal distribution of content. When downloading Mss 1280 User Manual, users should also consider the potential security risks associated with online platforms. Malicious actors may exploit vulnerabilities in unprotected websites to distribute malware or steal personal information. To protect themselves,

individuals should ensure their devices have reliable antivirus software installed and validate the legitimacy of the websites they are downloading from. In conclusion, the ability to download Mss 1280 User Manual has transformed the way we access information. With the convenience, cost-effectiveness, and accessibility it offers, free PDF downloads have become a popular choice for students, researchers, and book lovers worldwide. However, it is crucial to engage in ethical downloading practices and prioritize personal security when utilizing online platforms. By doing so, individuals can make the most of the vast array of free PDF resources available and embark on a journey of continuous learning and intellectual growth.

FAQs About Mss 1280 User Manual Books

What is a Mss 1280 User Manual PDF? A PDF (Portable Document Format) is a file format developed by Adobe that preserves the layout and formatting of a document, regardless of the software, hardware, or operating system used to view or print it. **How do I create a Mss 1280 User Manual PDF?** There are several ways to create a PDF: Use software like Adobe Acrobat, Microsoft Word, or Google Docs, which often have built-in PDF creation tools. Print to PDF: Many applications and operating systems have a "Print to PDF" option that allows you to save a document as a PDF file instead of printing it on paper. Online converters: There are various online tools that can convert different file types to PDF. **How do I edit a Mss 1280 User Manual PDF?** Editing a PDF can be done with software like Adobe Acrobat, which allows direct editing of text, images, and other elements within the PDF. Some free tools, like PDFescape or Smallpdf, also offer basic editing capabilities. **How do I convert a Mss 1280 User Manual PDF to another file format?** There are multiple ways to convert a PDF to another format: Use online converters like Smallpdf, Zamzar, or Adobe Acrobat's export feature to convert PDFs to formats like Word, Excel, JPEG, etc. Software like Adobe Acrobat, Microsoft Word, or other PDF editors may have options to export or save PDFs in different formats. **How do I password-protect a Mss 1280 User Manual PDF?** Most PDF editing software allows you to add password protection. In Adobe Acrobat, for instance, you can go to "File" -> "Properties" -> "Security" to set a password to restrict access or editing capabilities. Are there any free alternatives to Adobe Acrobat for working with PDFs? Yes, there are many free alternatives for working with PDFs, such as: LibreOffice: Offers PDF editing features. PDFsam: Allows splitting, merging, and editing PDFs. Foxit Reader: Provides basic PDF viewing and editing capabilities. How do I compress a PDF file? You can use online tools like Smallpdf, ILovePDF, or desktop software like Adobe Acrobat to compress PDF files without significant quality loss. Compression reduces the file size, making it easier to share and download. Can I fill out forms in a PDF file? Yes, most PDF viewers/editors like Adobe Acrobat, Preview (on Mac), or various online tools allow you to fill out forms in PDF files by selecting text fields and entering information. Are there any restrictions when working with PDFs? Some PDFs might have restrictions set by their creator, such as password protection,

editing restrictions, or print restrictions. Breaking these restrictions might require specific software or tools, which may or may not be legal depending on the circumstances and local laws.

Find Mss 1280 User Manual :

~~from tinys kitchen~~

~~frommers budget travel guide greece on \$45 a day~~

from subject to citizen australian citizenship in the twentieth century

fromentin et lacriture du dasert

frontier spirit and progress

frommers israel

frontier landscape

~~from voting to violence democratization and nationalist conflict~~

frommers seattle and portland 1998-1999

from the mixed-up files of mrs. basil e. frankweil

from the diary of a snail

~~from the seams of history~~

~~from the abundance of the heart inspirational poetry~~

~~from one sheet of plywood~~

fronteras de la pedagogia social las

Mss 1280 User Manual :

ed byrne jazz improv pdf music theory classical music - Feb 10 2023

web it is recommended that you study that firstor along withpracticing this one which covers the four basic triad types major minor augmented and diminished targeted with the ten chromatic targeting groups of the linear jazz improvisation methodin

linear jazz improvisation triads byrne jazz home ftp - Jan 29 2022

web jazz book 2 cds with cd audio structure and improvisation in creative teaching linear jazz improvisation triads byrne jazz

home downloaded from ftp adaircountymissouri com by guest mila carolyn mind body world routledge music sales america

based on the author s experience in teaching in jazz workshops this

linear jazz improvisation triads byrne jazz home - Jan 09 2023

web linear jazz improvisation triads byrne jazz home downloaded from etherpad arts ac uk by guest cassidy reagan our lady s juggler springer science business media music sales america based on the author s experience in teaching in jazz workshops this text explains the principles of the jazz art form useful for teachers

linear jazz improvisation triads byrne jazz home - Oct 06 2022

web linear jazz improvisation triads byrne jazz home april 14th 2018 is anyone familiar with this linear jazz improvisation has been the most direct door to the first day i started reading speaking of jazz by dr byrne

linear jazz improvisation method - Dec 08 2022

web linear jazz improvisation method supplies not only the methodology for how to focus your practicing of improvising on the essential elements of the specific tune at hand lji also supplies the actual substance of what to play and how to develop it in your personal style through the focused practicing of specific vocabulary

linear jazz improvisation triads byrne jazz home pdf pdf - Jun 02 2022

web linear jazz improvisation triads byrne jazz home pdf an enthralling opus penned by a highly acclaimed wordsmith readers attempt an immersive expedition to unravel the intricate significance of language and its indelible imprint on our lives throughout this assessment we shall delve in to the book is central motifs appraise its distinctive

linear jazz improvisation bichordal triad pitch collection etudes - Apr 12 2023

web introduction 24 bichordal pitch collection etudes for advanced jazz improvisation extends the linear jazz improvisation method by systematically combining every combination of major and minor triads into close position pitch collections pcs

linear jazz improvisation triads byrne jazz home download - Sep 05 2022

web of entry this on line statement linear jazz improvisation triads byrne jazz home as well as review them wherever you are now linear jazz improvisation triads byrne jazz home downloaded from doblespacio uchile cl by guest emerson piper who asked the first question music sales in this collective volume the origins neurosocial support and

linear jazz improvisation triads byrne jazz home - Dec 28 2021

web may 14 2023 linear jazz improvisation triads byrne jazz home ed byrne is an american trombonist composer bandleader author linear jazz improvisation method sold world wide byrnejazz com on august 20 byrne jazz home created by grammy award winner dr ed byrne one of the jazz scene s most highly regarded linear jazz

[linear jazz improvisation triads book 2](#) - May 13 2023

web covers the 4 basic triad types major minor augmented diminished ranging over 2 octaves e xercises are notated in the 3 most common jazz keys of concert c f and bb to get you acquainted with the patterns once you have learned these apply them to the other 9 keys download free sound files and practice along then improvise

linear jazz improvisation triads ed byrne - Aug 16 2023

web linear jazz improvisation triads book 2 ed byrne dr ed byrne 2001 introduction this is the first of two books which supply practice exercises to prepare the serious jazz improvisation student for the chromatic targeting of reduced melodies as prescribed in linear jazz improvisation book i

ed byrne jazz ed byrne book jazz course online - Jul 15 2023

web linear jazz improvisation works for any instrument apply linear jazz improvisation to any musical style start at any skill level from amateur to professional work at your own pace in the comfort of your home choose from two ways to learn use the books or sign up for one on one lessons start now

linear jazz improvisation triads byrne jazz home liululu - Mar 31 2022

web you endeavor to obtain and implement the linear jazz improvisation triads byrne jazz home it is wholly basic then presently we extend the associate to buy and create bargains to download and install linear jazz improvisation triads byrne jazz home therefore easy

pdf triads byrne jazz dokumen tips - Aug 04 2022

web home documents triads byrne jazz of 8 8 match case limit results 1 per page linear jazz improvisation triads ed byrne book 2 triads byrne jazz download pdf report upload others text of triads byrne jazz microsoft word demo book 2 docl i n e a r j a z z i m p r o v i s a t i o n triads introduction

linear jazz improvisation jazz course jazz music lessons ed byrne - Jun 14 2023

web linear jazz improvisation triads book 2 takes lji method into applied practice including free sound files to practice with develops the 4 basic triad types and targets each with the 10 lji chromatic targeting groups notated in the 3 most common jazz keys ranging over 2 octaves

linear jazz improvisation triads byrne jazz home pdf - May 01 2022

web apr 6 2023 guides you could enjoy now is linear jazz improvisation triads byrne jazz home below functional jazz guitar ed byrne 2010 12 01 functional jazz guitar perfect binding learn the skills needed for playing in a jazz group with this fun 255 page method practice specific cadence blues comps guide tone bass lines

linear jazz improvisation triads byrne jazz home - Feb 27 2022

web linear jazz improvisation triads byrne jazz home three s a pair melodic minor ii v7 i triad pairs the modern sound a step beyond linear linear jazz improvisation triads byrne jazz home linear jazz improvisation triads ed byrne 141 jazz guitar licks transcriptions more information

byrnejazz releases linear jazz improvisation polytonal triad - Nov 07 2022

web jazz artist educator ed byrne s new advanced improvisation book is now available byrnejazz com announces the release of ed byrne s new jazz improvisation method linear jazz improvisation polytonal triad etudes new linear jazz improvisation

polytonal triad etudes book 5

linear jazz improvisation triads byrne jazz home - Jul 03 2022

web may 1 2023 linear jazz improvisation triads book 2 covers the 4 basic triad types major minor augmented diminished ranging over 2 octaves e xercises are notated in the 3 most common jazz keys of concert

download free linear jazz improvisation triads byrne jazz home - Mar 11 2023

web linear jazz improvisation triads byrne jazz home triad pairs for jazz jan 07 2023 recording artist saxophonist educator and author gary campbell presents an effective strategy for constructing fresh sounding melodic lines he progresses step by step through the concept the practice exercises and the practical application of triad pairs

come dante puo salvarti la vita conoscere fa semp w b yeats - Mar 01 2022

come dante puo salvarti la vita conoscere fa semp when somebody should go to the ebook stores search establishment by shop shelf by shelf it is truly problematic install come dante puo salvarti la vita conoscere fa semp for that reason simple radio patrol eddie sullivan 1937 letters of c g jung c g jung 2015 06 05

come dante puo salvarti la vita conoscere fa semp pdf - Jun 04 2022

aug 5 2023 come dante puo salvarti la vita conoscere fa sempre la differenza enrico castelli gattinara 2019 la chiave di dante g l barone 2015 02 05 una rivelazione un grande thriller È la vigilia di natale quando la santa sede è scossa da un terribile lutto monsignor claude de beaumont curatore dei musei vaticani muore gettandosi nel vuoto

come dante puo salvarti la vita conoscere fa sempre la differenza - Mar 13 2023

acquista come dante puo salvarti la vita conoscere fa sempre la differenza su libreria universitaria spedizione gratuita sopra i 25 euro su libreria universitaria

come dante puo salvarti la vita conoscere fa semp pdf - Jul 05 2022

may 25 2023 declaration come dante puo salvarti la vita conoscere fa semp that you are looking for it will entirely squander the time however below afterward you visit this web page it will be therefore unconditionally easy to acquire as competently as download guide come dante puo salvarti la vita conoscere fa semp it will not agree to many grow old

come dante puo salvarti la vita conoscere fa semp - Dec 10 2022

come dante puo salvarti la vita conoscere fa semp as recognized adventure as competently as experience more or less lesson amusement as skillfully as settlement can be gotten by just checking out a book come dante puo salvarti la vita conoscere fa semp furthermore it is not directly done you could

come dante puo salvarti la vita conoscere fa semp w b - Jun 16 2023

of this come dante puo salvarti la vita conoscere fa semp by online you might not require more mature to spend to go to the ebook inauguration as capably as search for them in some cases you likewise reach not discover the revelation come dante

puo salvarti la vita conoscere fa semp that you are looking for it will no question squander the
[come dante puo salvarti la vita conoscere fa semp pdf](#) - Aug 06 2022

jun 17 2023 come dante puo salvarti la vita conoscere fa semp 2 6 downloaded from uniport edu ng on june 17 2023 by
 guest dizionario storico geografico universale della divina commedia di dante alighieri donato bocci 1873 great mysteries of
 our world gina d b clemen 2013 02 18 human interest was

[come dante puo salvarti la vita conoscere fa semp pdf](#) - Jan 31 2022

merely said the come dante puo salvarti la vita conoscere fa semp pdf is universally compatible with any devices to read to
 each his own leonardo sciascia 1992 this is a short powerful novel dealing with the complicities and accomodations of power
 within italian politics the new revelation arthur conan doyle 1918

come dante puo salvarti la vita conoscere fa semp full pdf - Sep 07 2022

come dante puo salvarti la vita conoscere fa semp 3 3 con un percorso tematico sui grandi della latinità da orazio a seneca da
 catullo a petronio da lucrezio a quintiliano troveremo la risposta che gli uomini di duemila anni fa davano ai loro problemi
 dall innamoramento infelice all insofferenza verso le feste comandate dal

[come dante può salvarti la vita conoscere fa sempre la differenza](#) - Aug 18 2023

come dante può salvarti la vita conoscere fa sempre la differenza è un libro di enrico castelli gattinara pubblicato da giunti
 editore nella collana varia acquista su ibs a 18 00

[specialescuola conoscere e sapere significa osare la](#) - Jul 17 2023

sep 16 2019 come dante può salvarti la vita è un libro in cui giganteggia la passione di enrico castelli gattinara per l
 insegnamento le storie sono mediate rimasticate dalla sua stessa sensibilità e date in pasto al lettore con numerosi elementi
 patetici in senso etimologico l esperienza in classe entra qui e là arricchisce le storie dando conto

come dante puo salvarti la vita conoscere fa semp pdf pdf - Nov 09 2022

come dante puo salvarti la vita conoscere fa semp pdf introduction come dante puo salvarti la vita conoscere fa semp pdf pdf
 the poems canti of leopardi giacomo leopardi 1900 catalogo dei libri in commercio 1999 conversazioni della domenica
 giornale d amene letture letterario artistico illustrato 1889 l infame romanzo di edmondo about

[come dante puo salvarti la vita conoscere fa semp](#) - Feb 12 2023

come dante puo salvarti la vita conoscere fa semp parnasso classico italiano contente dante petrarca ariosto e tasso per cura
 d angelo sicca mar 19 2022 al di là del mare e tra le onde jan 23 2020 al di là del mare e tra le onde proprio per dare il senso
 di un movimento dentro e fuori cielo e terra

[come dante puo salvarti la vita conoscere fa semp](#) - Apr 02 2022

come dante puo salvarti la vita conoscere fa semp right here we have countless books come dante puo salvarti la vita

conoscere fa semp and collections to check out we additionally offer variant types and next type of the books to browse the okay book fiction history novel scientific research as capably as various additional sorts of

come dante può salvarti la vita conoscere fa sempre la differenza - Sep 19 2023

compra come dante può salvarti la vita conoscere fa sempre la differenza spedizione gratuita su ordini idonei come dante può salvarti la vita conoscere fa sempre la differenza castelli gattinara enrico amazon it libri

come dante puo salvarti la vita conoscere fa semp - Apr 14 2023

come dante puo salvarti la vita conoscere fa semp storia di una rivolta sep 27 2021 il libro tratta della famosa rivolta antispagnola del 1647 ad opera di masaniello pescivendolo della zona mercato di napoli il racconto in apparenza ha il sapore della ripetitività considerato che è stato un avvenimento storico trattato da molti validi

come dante puo salvarti la vita conoscere fa semp api - May 03 2022

2 come dante puo salvarti la vita conoscere fa semp 2019 12 26 ispirano piccole strategie di sopravvivenza per vivere meglio le realtà e le difficoltà quotidiane frammenti capaci di suscitare riflessioni evocazioni insegnamenti o anche semplici pause fatte di sorrisi i testi vengono così interpretati e tradotti in

come dante può salvarti la vita giunti giunti editore - Jan 11 2023

sep 11 2019 si alla cultura enrico castelli gattinara tutti i giorni deve trovare il modo per convincere i suoi ragazzi che conoscere serve e quando loro sbuffano alla richiesta di imparare qualche verso di dante a memoria comincia a raccontare loro la storia di un uomo che grazie a quelle terzine è sopravvissuto al campo di concentramento

come dante può salvarti la vita conoscere fa sempre la differenza - May 15 2023

acquista online il libro come dante può salvarti la vita conoscere fa sempre la differenza di enrico castelli gattinara in offerta a prezzi imbattibili su mondadori store

come dante può salvarti la vita conoscere fa sempre la - Oct 08 2022

jun 12 2023 e dante può salvarti la vita conoscere fa sempre la enrico castelli gattinara archivi libri e dante puo salvarti la vita castelli gattinara enrico castelli gattinara professore università e e dante può salvarti la vita conoscere fa sempre la vita e il migliore del 2020 recensioni come dante può salvarti la vita conoscere fa sempre

2021 6 nwlr gbenoba v l p d c gabriel gbenoba esq 1 legal - Jan 06 2023

web nigerian weekly law reports 3 may 2021 the legal practitioners disciplinary committee determination of legal practitioner discipline at the bar infamous conduct complaint of where made against legal practitioner procedure for treating same legal practitioner discipline in the nigerian bar association issues of power

books nigerian law publications ltd - Sep 02 2022

web nigerian weekly law reports n w l r contains decisions of the appellate courts in nigeria that is to say the decisions of the

court of appeal and supreme court of nigeria as well as legal practitioners disciplinary committee of the body of benchers 3
000 00 availability in stock parts volume please select parts or volume

nigerian weekly law report goes online punch newspapers - Dec 05 2022

web 30th january 2020 by oladimeji ramon oladimeji ramon nigerian law publications limited says it has introduced an online
version of the popular nigerian weekly law reports

recently published judgments nwlr nigeria weekly law reports - Sep 14 2023

web ari v yerima mt sea pioneer v adeyeye n n p c v fung tai eng co ltd ogbaru local govt v ifeachor part 1905 bamali v togun
carnation reg ltd v president n i c n komolafe v

nigerian weekly law reports linkedin - Jun 30 2022

web our aim is to make the laws of nigeria available to all and sundry as quickly as possible the nigerian weekly law reports
nwlr was established in 1985 by chief ganiyu oyesola fawehinmi san

nigerian law publications - Aug 13 2023

web nigerian weekly law reports comprehensive indexes to nwlr supreme court of nigeria law reports the digest of supreme
court cases nigerian constitutional law reports special indexes for supreme court of nigeria law reports nwlr online online
subscription services others nigeria s leading law books publishers helpline

nwlr v2 - Feb 07 2023

web the nigerian weekly law reports nwlr was established in 1985 by chief ganiyu oyesola fawehinmi san 1938 2009 it was
the first of its kind in nigeria and africa the nigerian weekly law reports nwlr as the name

wrn weekly reports of nigeria - Apr 09 2023

web wrn weekly reports of nigeria intelligent law reporting and legal research backed by technology the easiest way to
search for supreme court and court of appeal judgments precedents and ratios is with weekly reports of nigeria

samson babatunde olarewaju v afribank nigeria plc yusuf ali - Feb 24 2022

web nigeria weekly law report samson babatunde olarewaju v afribank nigeria plc 1 samson babatunde olarewaju v afribank
nigeria plc supreme court of nigeria s c 109 96 adolphus godwin karibi whyte l s c presided emanuelobiomaogwuegbu j s c
anthony ikechukwuiguh j s c

nigeria weekly law report yusuf ali - Aug 01 2022

web nigeria weekly law report yakubu vs ashipa 1 1 alhaja safurat olufunke yakubl 2 alhaj 1 momodij ovvodina v 1 baale
ssulaimah y o ashipa 2 yekini ashipa 3 mudashiru yaro 4 gani ashipa 5 kola olushin 6 saka owodina 7 fatai ashipa 8 persons
unknown court of appeal lagos division ca l 423 97 george adesola oguntade j c a president

nwlr nigeria weekly law reports - Oct 15 2023

web justices of the supreme court justices of the court of appeal legal practitioners disciplinary committee webinar technology law practice in nigeria notification new updates improvement to nwlr by addition of statutes and rules

list of law reports in nigeria and their abbreviation - Apr 28 2022

web aug 27 2020 below is a list of some of the law reports in nigeria with their abbreviation nigerian law reports nlr federal supreme court reports fsc all nigerian law reports all nlr nigerian monthly law report nmlr university of ife law report uilr nigerian weekly law report nwlr law pavillion electronic law report

books nigerian law publications ltd - Mar 28 2022

web shop now nigerian weekly law reports parts 1000 1213 1225 1226 bumper editions 4 000 00 each shop now 01 6316950 email contact nigerianlawpublications com nigerian law publications house otunba jobi fele

nigerian weekly law reports lagos facebook - Oct 03 2022

web nov 19 2019 welcome you are invited to join a webinar technology law practice in nigeria after registering you will receive a confirmation email about joining the webinar to discuss how technology has impacted law practice and how best to maximize its use 6 like nigerian weekly law reports november 28 2019

about us nigerian law publications ltd nwlr - May 10 2023

web the nigerian weekly law reports nwlr was established in 1985 by chief ganiyu oyesola fawehinmi san 1938 2009 it was the first of its kind in nigeria and africa the nigerian weekly law reports nwlr as the name

about allfwlr - Mar 08 2023

web the all federation weekly law reports all fwlr is published by renaissance law publishers limited nigeria nigeria weekly law reports nwlr deputy editor supreme court of nigeria law reports scnlr 1956 1984 co founder and editor in chief federation weekly law reports fwlr 2000 2003

nigerian law publications limited linkedin - May 30 2022

web the nigerian weekly law reports has since 1985 consistently provided authoritative legal content for the ease of legal research to lawyers founded by the erudite chief gani fawehinmi ll d san

nigerian law reports court cases in nigeria - Jul 12 2023

web nov 10 2023 lawcare nigeria provides nigerian law reports check here to read various nigerian cases we report all latest nigerian judgements and our report captures the judgements of the supreme court of nigeria and the court of appeal of nigeria yalaju ors v adidi ors 2022 laweditor november 3 2023 court of appeal of nigeria

login nigerian law publications ltd nwlr - Jun 11 2023

web subscribe to the nigerian law publications limited mailing list to receive updates on new publicatons special offers and other information nigerian law publications house otunba jobi fele way c b d alausa ikeja lagos nigeria

nigerian weekly law report nwlr everything you need to - Nov 04 2022

web oct 22 2019 nigerian weekly law reports nwlr is evidently the most popular and reliable law reporting company in nigeria it was established in 1985 by late chief ganiyu oyesola fawehinmi san 1938 2009 to boost the