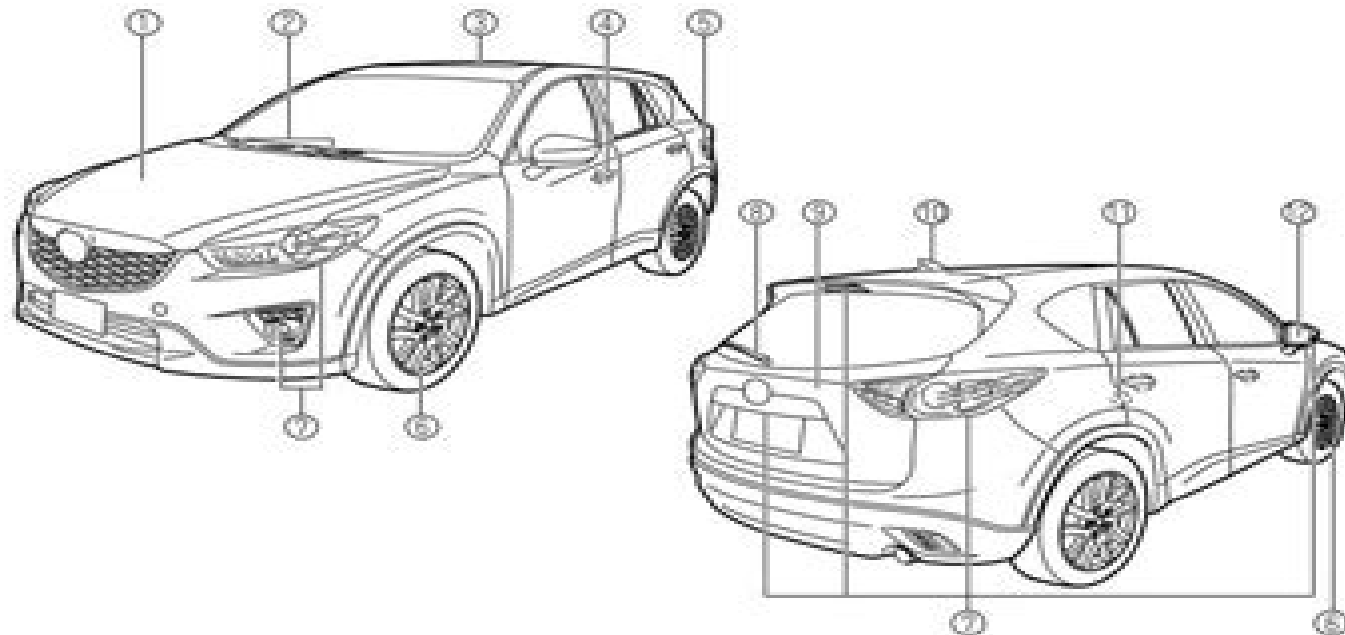


## Exterior Overview



① Hood .....	page 6-18
② Windshield wiper blades .....	page 6-27
③ Moonroof .....	page 3-33
④ Doors and keys .....	page 3-12
⑤ Fuel-filler lid .....	page 3-24
⑥ Wheels and Tires .....	page 6-35
⑦ Exterior lights .....	page 6-40
⑧ Rear window wiper blade .....	page 6-29
⑨ Liftgate .....	page 3-19
⑩ Antenna .....	page 5-13
⑪ Child safety locks .....	page 3-18
⑫ Outside mirror .....	page 3-27

# Mazda Maxx Service Manual

**John Harold Haynes, Peter Ward**



## **Mazda Maxx Service Manual:**

*Mazda Pick-up Owners Workshop Manual* J. H. Haynes,1976      *Mazda Pick-up Owners Workshop Manual* John Harold Haynes,Peter Ward,1976      *Mazda 3 Automotive Repair Manual, 2004-2011* Jeff Killingsworth,John H. Haynes,2013-01-01  
This title provides a total introduction to the maintenance and repair of the Mazda 3      **Mazda 323 & Protégé Automotive Repair Manual** Louis LeDoux,John Harold Haynes,1997 Mazda 323 ProtégéT 1990 97 Shop ManualHaynes34 pgs 729 b w ill  
**Moody's International Manual** ,2000      *The Advertising Red Books* ,2007-07      **Mazda MX-5 Miata 1.8 Enthusiast s Workshop Manual** Rod Grainger,2017-08-15 Mazda MX 5 Miata 1 8 Enthusiast s Workshop Manual is a phenomenally detailed book which covers the car from bumper to bumper Every detail of important repair and maintenance jobs is covered The book covers all Mk1 cars with pop up headlights 1 8 litre models from 1994 to 1998 It is the only aftermarket workshop manual available for the MX 5 and it s written in an easy to use friendly style Step by step procedures are supported by hundreds of photos and illustrations covering all aspects of maintenance and repair The instructions apply equally to Eunos Roadster Japanese market model and Mazda Miata US market model      *Mazda Pick-Ups Owner's Workshop Manual* Peter Ward, Mike Stubblefield,John Harold Haynes,1988-01-01      **Mazda Owners Workshop Manual** A. K. Legg,1982-01-01      *Mazda 626 and MX-6 Automotive Repair Manual* Larry Warren,John Harold Haynes,1997-12 Mazda 626 FWD 1983 91 Shop Manual Haynes 253 pgs 607 ill

Fuel your quest for knowledge with Authored by is thought-provoking masterpiece, Dive into the World of **Mazda Maxx Service Manual** . This educational ebook, conveniently sized in PDF ( \*), is a gateway to personal growth and intellectual stimulation. Immerse yourself in the enriching content curated to cater to every eager mind. Download now and embark on a learning journey that promises to expand your horizons. .

<https://staging.conocer.cide.edu/book/book-search/Documents/manual%20digi%20ds%205.pdf>

## **Table of Contents Mazda Maxx Service Manual**

1. Understanding the eBook Mazda Maxx Service Manual
  - The Rise of Digital Reading Mazda Maxx Service Manual
  - Advantages of eBooks Over Traditional Books
2. Identifying Mazda Maxx Service Manual
  - Exploring Different Genres
  - Considering Fiction vs. Non-Fiction
  - Determining Your Reading Goals
3. Choosing the Right eBook Platform
  - Popular eBook Platforms
  - Features to Look for in an Mazda Maxx Service Manual
  - User-Friendly Interface
4. Exploring eBook Recommendations from Mazda Maxx Service Manual
  - Personalized Recommendations
  - Mazda Maxx Service Manual User Reviews and Ratings
  - Mazda Maxx Service Manual and Bestseller Lists
5. Accessing Mazda Maxx Service Manual Free and Paid eBooks
  - Mazda Maxx Service Manual Public Domain eBooks
  - Mazda Maxx Service Manual eBook Subscription Services
  - Mazda Maxx Service Manual Budget-Friendly Options

6. Navigating Mazda Maxx Service Manual eBook Formats
  - ePub, PDF, MOBI, and More
  - Mazda Maxx Service Manual Compatibility with Devices
  - Mazda Maxx Service Manual Enhanced eBook Features
7. Enhancing Your Reading Experience
  - Adjustable Fonts and Text Sizes of Mazda Maxx Service Manual
  - Highlighting and Note-Taking Mazda Maxx Service Manual
  - Interactive Elements Mazda Maxx Service Manual
8. Staying Engaged with Mazda Maxx Service Manual
  - Joining Online Reading Communities
  - Participating in Virtual Book Clubs
  - Following Authors and Publishers Mazda Maxx Service Manual
9. Balancing eBooks and Physical Books Mazda Maxx Service Manual
  - Benefits of a Digital Library
  - Creating a Diverse Reading Collection Mazda Maxx Service Manual
10. Overcoming Reading Challenges
  - Dealing with Digital Eye Strain
  - Minimizing Distractions
  - Managing Screen Time
11. Cultivating a Reading Routine Mazda Maxx Service Manual
  - Setting Reading Goals Mazda Maxx Service Manual
  - Carving Out Dedicated Reading Time
12. Sourcing Reliable Information of Mazda Maxx Service Manual
  - Fact-Checking eBook Content of Mazda Maxx Service Manual
  - Distinguishing Credible Sources
13. Promoting Lifelong Learning
  - Utilizing eBooks for Skill Development
  - Exploring Educational eBooks
14. Embracing eBook Trends
  - Integration of Multimedia Elements

- Interactive and Gamified eBooks

## **Mazda Maxx Service Manual Introduction**

Free PDF Books and Manuals for Download: Unlocking Knowledge at Your Fingertips In today's fast-paced digital age, obtaining valuable knowledge has become easier than ever. Thanks to the internet, a vast array of books and manuals are now available for free download in PDF format. Whether you are a student, professional, or simply an avid reader, this treasure trove of downloadable resources offers a wealth of information, conveniently accessible anytime, anywhere. The advent of online libraries and platforms dedicated to sharing knowledge has revolutionized the way we consume information. No longer confined to physical libraries or bookstores, readers can now access an extensive collection of digital books and manuals with just a few clicks. These resources, available in PDF, Microsoft Word, and PowerPoint formats, cater to a wide range of interests, including literature, technology, science, history, and much more. One notable platform where you can explore and download free Mazda Maxx Service Manual PDF books and manuals is the internet's largest free library. Hosted online, this catalog compiles a vast assortment of documents, making it a veritable goldmine of knowledge. With its easy-to-use website interface and customizable PDF generator, this platform offers a user-friendly experience, allowing individuals to effortlessly navigate and access the information they seek. The availability of free PDF books and manuals on this platform demonstrates its commitment to democratizing education and empowering individuals with the tools needed to succeed in their chosen fields. It allows anyone, regardless of their background or financial limitations, to expand their horizons and gain insights from experts in various disciplines. One of the most significant advantages of downloading PDF books and manuals lies in their portability. Unlike physical copies, digital books can be stored and carried on a single device, such as a tablet or smartphone, saving valuable space and weight. This convenience makes it possible for readers to have their entire library at their fingertips, whether they are commuting, traveling, or simply enjoying a lazy afternoon at home. Additionally, digital files are easily searchable, enabling readers to locate specific information within seconds. With a few keystrokes, users can search for keywords, topics, or phrases, making research and finding relevant information a breeze. This efficiency saves time and effort, streamlining the learning process and allowing individuals to focus on extracting the information they need. Furthermore, the availability of free PDF books and manuals fosters a culture of continuous learning. By removing financial barriers, more people can access educational resources and pursue lifelong learning, contributing to personal growth and professional development. This democratization of knowledge promotes intellectual curiosity and empowers individuals to become lifelong learners, promoting progress and innovation in various fields. It is worth noting that while accessing free Mazda Maxx Service Manual PDF books and manuals is convenient and cost-effective, it is vital to respect copyright laws and intellectual property rights. Platforms offering free downloads often operate within legal boundaries,

ensuring that the materials they provide are either in the public domain or authorized for distribution. By adhering to copyright laws, users can enjoy the benefits of free access to knowledge while supporting the authors and publishers who make these resources available. In conclusion, the availability of Mazda Maxx Service Manual free PDF books and manuals for download has revolutionized the way we access and consume knowledge. With just a few clicks, individuals can explore a vast collection of resources across different disciplines, all free of charge. This accessibility empowers individuals to become lifelong learners, contributing to personal growth, professional development, and the advancement of society as a whole. So why not unlock a world of knowledge today? Start exploring the vast sea of free PDF books and manuals waiting to be discovered right at your fingertips.

### **FAQs About Mazda Maxx Service Manual Books**

1. Where can I buy Mazda Maxx Service Manual books? Bookstores: Physical bookstores like Barnes & Noble, Waterstones, and independent local stores. Online Retailers: Amazon, Book Depository, and various online bookstores offer a wide range of books in physical and digital formats.
2. What are the different book formats available? Hardcover: Sturdy and durable, usually more expensive. Paperback: Cheaper, lighter, and more portable than hardcovers. E-books: Digital books available for e-readers like Kindle or software like Apple Books, Kindle, and Google Play Books.
3. How do I choose a Mazda Maxx Service Manual book to read? Genres: Consider the genre you enjoy (fiction, non-fiction, mystery, sci-fi, etc.). Recommendations: Ask friends, join book clubs, or explore online reviews and recommendations. Author: If you like a particular author, you might enjoy more of their work.
4. How do I take care of Mazda Maxx Service Manual books? Storage: Keep them away from direct sunlight and in a dry environment. Handling: Avoid folding pages, use bookmarks, and handle them with clean hands. Cleaning: Gently dust the covers and pages occasionally.
5. Can I borrow books without buying them? Public Libraries: Local libraries offer a wide range of books for borrowing. Book Swaps: Community book exchanges or online platforms where people exchange books.
6. How can I track my reading progress or manage my book collection? Book Tracking Apps: Goodreads, LibraryThing, and Book Catalogue are popular apps for tracking your reading progress and managing book collections. Spreadsheets: You can create your own spreadsheet to track books read, ratings, and other details.
7. What are Mazda Maxx Service Manual audiobooks, and where can I find them? Audiobooks: Audio recordings of books,

perfect for listening while commuting or multitasking. Platforms: Audible, LibriVox, and Google Play Books offer a wide selection of audiobooks.

8. How do I support authors or the book industry? Buy Books: Purchase books from authors or independent bookstores. Reviews: Leave reviews on platforms like Goodreads or Amazon. Promotion: Share your favorite books on social media or recommend them to friends.
9. Are there book clubs or reading communities I can join? Local Clubs: Check for local book clubs in libraries or community centers. Online Communities: Platforms like Goodreads have virtual book clubs and discussion groups.
10. Can I read Mazda Maxx Service Manual books for free? Public Domain Books: Many classic books are available for free as they're in the public domain. Free E-books: Some websites offer free e-books legally, like Project Gutenberg or Open Library.

### **Find Mazda Maxx Service Manual :**

#### **manual digi ds 500**

*manual de instrucciones sgs*

#### **manual del usuario cbr 600 f4i**

[manual de instrucoes para sobreviver aos 40](#)

[manual de nokia e5 en espanol](#)

[manual del samsung gt s5560](#)

*manual del propietario jeep grand cherokee 27crd*

#### **manual de instruesseat alhambra**

#### **manual de merck en espanol**

~~manual del propietario chrysler voyager 2008~~

[manual da tv proview 29](#)

[manual da tv philips 32](#)

*manual de instrucciones seat ibiza*

#### **manual de musicoterapia**

[manual de partes nissan c17](#)



**Mazda Maxx Service Manual :**

[an introduction to the project management maturity model pmmm](#) - Oct 30 2022

web feb 22 2019 the foundation for achieving excellence in project management can best be described as the project management maturity model pmmm which comprises five levels each of the five levels represents a different degree of maturity in project management assigning risk is a subjective assessment of the way the corporate

*risk management practices from risk maturity models perspective* - Apr 23 2022

web jan 1 2014 enterprise risk management erm is a systematic process to identify measure analyze control communicate and manage uncertain events that may affect the company brightenti silva 2016 renn

**the project risk maturity model measuring and improving risk** - Jun 06 2023

web oct 1 2012 the project risk maturity model measuring and improving risk management capability october 2012 authors risto gladden discover the world s research 2 3 billion citations no full text

**appendix 6 risk maturity models wiley online library** - Jun 25 2022

web hopkinson 2000 describes two microsoft access based risk maturity models produced by a consultancy one for use at the company or business level and one that is specifically applicable to the project environment both models adopt the four levels of maturity described by hillson

*the project risk maturity model measuring and improving risk* - Jul 27 2022

web dec 28 2010 the project risk maturity model measuring and improving risk management capability hopkinson martin 9780566088797 amazon com books books business money economics kindle available instantly hardcover 50 00 170 00

paperback 64 65 other used and new from 50 00 buy new 170 00 free delivery

[the project risk maturity model by martin hopkinson open library](#) - Feb 19 2022

web dec 15 2022 the project risk maturity model measuring and improving risk management capability by martin hopkinson 0 ratings 0 want to read 0 currently reading 0 have read this edition doesn t have a description yet can you add one publish date 2011 publisher gower language english pages 246 subjects

[explaining risk maturity models and how they work techtarget](#) - Sep 28 2022

web jul 26 2023 risk management thought leader david a hilson aka the risk doctor specified four separate risk maturity levels in his article towards a risk maturity model in the spring 1997 edition of the international journal of project and business risk management naïve

[full article developing a generic risk maturity model grmm for](#) - Jul 07 2023

web a risk maturity model rmm is such a tool that can be used for this purpose an rmm aims to measure the maturity of risk management in projects and or organizations maturity in terms of risk management means an evolution towards the full

development of risk management processes rims

**the project risk maturity model google books** - May 05 2023

web martin hopkinson has developed the project risk maturity model into a robust framework and this book allows you to access and apply his insights and experience a key feature is a downloadable

the project risk maturity model measuring and improvin - Mar 23 2022

web jan 1 2011 the project risk maturity model detailed here provides such an assessment framework and development pathway it can be used to benchmark your project risk processes and support the introduction of effective in house project risk management

project management maturity models smartsheet - Jan 01 2023

web apr 26 2022 included on this page you ll find seven project management maturity models and learn how to use them to advance your maturity level you ll also find templates for implementing maturity models and advice on selecting the right model for your organization

the impact of project risk management maturity on performance - Apr 04 2023

web jun 5 2019 this study examines the utility of project risk management maturity prmm for project based organizations across different domains the relationship between organization level prmm and firm s performance is studied two alternatives of theoretical model are developed on the basis of an extensive literature review

**the project risk maturity model measuring and improving risk** - Nov 30 2022

web dec 28 2010 the project risk maturity model measuring and improving risk management capability m hopkinson published 28 december 2010 engineering business computer science tldr this chapter discusses using a multi pass risk management process and the uk mod defence procurement agency as a project risk

*the project risk maturity model measuring and improving risk* - Sep 09 2023

web sep 7 2012 the project risk maturity model measuring and improving risk management capability risto gladden citp pmp first published 07 september 2012 doi org 10 1002 pmj 21296 citations 1 read the full text pdf tools share no abstract is available for this article citing literature volume 43 issue 5 october 2012

**the project risk maturity model measuring and improving risk** - Oct 10 2023

web dec 18 2016 martin hopkinson has developed the project risk maturity model into a robust framework and this book allows you to access and apply his insights and experience a key feature is a downloadable resource containing a working copy of the qinetiq project risk maturity model rmm

a deep dive into project management maturity models - Mar 03 2023

web jul 3 2022 a project management maturity model commonly shortened to pmmm is a matrix that illustrates how a

company s project management process evolves over time just as a company changes as it expands it s necessary for the project management style to mature as well

**assessing the maturity level of risk management in it projects** - May 25 2022

web jun 13 2023 the purpose of the article is to determine the maturity level of risk management in it projects to achieve this goal the most popular risk management maturity models were analyzed

*enterprise risk management erm the modern approach to managing risks* - Feb 02 2023

web risk management as a more fluid and flexible endeavor time and maturity developing defined integrated leading practice next gen risk value intelligent figure 1 erm maturity model next gen risk intelligent uses predictive analytics and data driven technologies to automate processes generate insight and enable risk intelligent decision making

**the project risk maturity model assessment of the u k mod s** - Aug 28 2022

web apr 21 2004 the hvr project risk maturity model the project rmm is a computerized tool that is a development from a generic risk maturity model proposed by david hillson 1997 a number of other sources have been used to develop the model including the pram guide published by the association for project management 1997

**risk maturity assessment explained risk maturity model** - Aug 08 2023

web the risk maturity model rmm outlines key indicators and activities that comprise a sustainable repeatable and mature enterprise risk management erm program taking the risk maturity self assessment organizations benchmark how in line their current risk management practices are with the rmm indicators once completed each organization

*eltern stärken die dialogische haltung in seminar und beratung* - Aug 09 2022

web eltern stärken ist ein treffer ein leidenschaftliches buch zu einem leidenschaftlichen thema die beziehung von eltern zu ihren kindern und zu sich selbst ich empfehle das

eltern stärken die dialogische haltung in seminar und beratung - Dec 13 2022

web eltern stärken die dialogische haltung in seminar und beratung ein leitfaden für die praxis schopp johannes tschöpe scheffler sigrid hüther gerald isbn

eltern stärken die dialogische haltung in seminar und beratung - Feb 15 2023

web der dialog unter den eltern und mit den kursleitenden ist ein schritte füreine neue erziehungs und lernkultur eltern stärken erreicht eltern auf einer ebene die es

eltern stärken die dialogische haltung in seminar und beratung - Oct 11 2022

web eltern stärken die dialogische haltung in seminar und beratung ein leitfaden für die praxis johannes schopp isbn 9783866493131 kostenloser versand für alle bücher

*eltern stärken die dialogische haltung in seminar und beratung* - May 18 2023

web auflage von sigrid tschöpe scheffler vorwort zur 1 auflage von sigrid tschöpe scheffler einföhrung wie eltern ihre potenziale entdecken können fragen als schlüssel zu den

**eltern stärken die dialogische haltung in seminar und jstor** - Mar 16 2023

web wie die dialogische haltung erlernt werden kann dialogische kernfähigkeiten die haltung eines lerners verkörpern 88 radikalen respekt zeigen sich öföfnen für andere

*eltern stärken die dialogische haltung in seminar und beratung* - Jan 02 2022

web das buch ist daher allen zu empfehlen die in der elternbildung tätig sind oder mit eltern in pädagogischen institutionen zusammenarbeiten socialnet de 01 07 2014 jeder der mit

**eltern stärken die dialogische haltung in seminar und beratung** - Jul 08 2022

web was brauchen eltern heute um den herausforderungen im zusammenleben mit ihren kindern gewachsen zu sein in der 4 überarbeiteten auflage dieses leitfadens entwirft

**eltern stärken die dialogische haltung in seminar und beratung** - Jan 14 2023

web jun 9 2023 thalia infos zu autor inhalt und bewertungen jetzt eltern stärken die dialogische haltung in seminar und beratung nach hause oder in ihre filiale vor ort

**eltern stärken die dialogische haltung in seminar und beratung** - Dec 01 2021

**eltern stärken die dialogische haltung in seminar und beratung** - Feb 03 2022

web jan 18 2016 eltern stärken die dialogische haltung in seminar und beratung faq eltern stärken die dialogische haltung in seminar und beratung ein leitfaden für

*eltern stärken die dialogische haltung in seminar und beratung* - Jun 07 2022

web jun 19 2023 menge verringern eltern stärken die dialogische haltung in seminar und beratung menge menge erhöhen in den warenkorb isbn 978 3 8474 2758 2

**eltern stärken die dialogische haltung in seminar** - Apr 17 2023

web das zunächst für die elternbildung konzipierte dialogische konzept wurde 2005 erstmalig veröffentlicht die sich daraus entwickelnde kraft wirkt spürbar die dialogische

**eltern stärken die dialogische haltung in seminar und jstor** - Mar 04 2022

web jul 29 2019 eltern stärken die dialogische haltung in seminar und beratung ein leitfaden für die praxis 6 auflage von johannes schopp johannes schopp suche

**eltern stärken die dialogische haltung in seminar und jstor** - Aug 21 2023

web vorwort zur 4 auflage es freut mich sehr dass dieses buch von johannes schopp nun in einer neuen auflage vorliegt nicht

nur deshalb weil es einen sehr praktischen ansatz

*eltern stärken die dialogische haltung in seminar und* - Nov 12 2022

web jun 19 2023 die dialogische haltung in seminar und beratung das zunächst für die elternbildung konzipierte dialogische konzept wurde 2005 erstmalig veröffentlicht

eltern stärken die dialogische haltung in seminar und jstor - Jul 20 2023

web jstor is a digital library of academic journals books and primary sources

**eltern stärken die dialogische haltung in seminar und** - Sep 10 2022

web jan 18 2016 das zunächst für die elternbildung konzipierte dialogische konzept wurde 2005 erstmalig veröffentlicht die sich daraus entwickelnde kraft wirkt spürbar in die

**eltern stärken die dialogische haltung in seminar und beratung** - Apr 05 2022

web eltern stärken die dialogische haltung in seminar und beratung ein leitfaden für die praxis on jstor journals and books journals and books johannes schopp copyright

eltern stärken die dialogische haltung in seminar und beratung - May 06 2022

web bücher bei weltbild jetzt eltern stärken die dialogische haltung in seminar und beratung von johannes schopp versandkostenfrei bestellen bei weltbild ihrem bücher

eltern stärken die dialogische haltung in seminar und beratung - Jun 19 2023

web jun 19 2023 schopp eltern stärken die dialogische haltung in seminar und beratung 7 überarbeitete 2023 buch fachbuch 978 3 8474 2758 2 bücher schnell

download pdf auguste racinet the costume history - Mar 29 2022

web originally published in france between 1876 and 1888 auguste racinet s le costume historique was the most wide ranging and incisive study of clothing ever att

*auguste racinet the costume history google books* - Feb 08 2023

web racinet s costume history is a landmark in the study of clothing and style from eskimo attire to high french couture this unrivalled encyclopedia is an invaluable reference for

**auguste racinet the costume history bibliotheca** - May 11 2023

web covering the world history of costume dress and style from antiquity through to the end of the 19th century the six volume work remains completely unique in its scope and detail

**racinet the costume history bibliotheca universalis slideshare** - Jan 27 2022

web jul 9 2020 the costume history bibliotheca universalis full pdf download auguste racinet the costume history bibliotheca universalis ebook read

[auguste racinet the costume history hardcover abebooks](#) - Dec 06 2022

web originally published in france between 1876 and 1888 auguste racinet s le costume historique was the most wide ranging and intelligent study of clothing ever published

**download pdf auguste racinet the costume history** - Oct 24 2021

**auguste racinet the cost yumpu** - Sep 22 2021

**le costume historique albert racinet auguste racinet google** - Oct 04 2022

web auguste racinet le costume historique bu bibliotheca universalis tétart vittu françoise amazon com tr kitap

**racinet the costume history bu bibliotheca universalis** - Jun 12 2023

web covering the world history of costume dress and style from antiquity through to the end of the 19th century the six volume work remains completely unique in its scope and detail

[auguste racinet the costume history bibliotheca universalis](#) - Jul 01 2022

web sep 18 2020 start now auguste racinet the costume history bibliotheca universalis download and read online download ebook pdf ebook epub

**free download auguste racinet the costume history** - Nov 24 2021

web jul 9 2020 the costume history bibliotheca universalis download ebook pdf epub book in english language download auguste racinet the costume history

**auguste racinet le costume historique bu bibliotheca** - Aug 02 2022

web jan 1 1995 the appearance of racinet s history of world costume between 1876 and 1888 was a landmark in publishing history this six volume classic was the first large

[racinet the costume history from ancient times to the 19th](#) - Sep 03 2022

web sep 15 2015 frequently asked questions about auguste racinet the costume history bibliotheca universalis how much does auguste racinet the costume

**auguste racinet the costume history bibliotheca universalis** - Apr 10 2023

web covering the world history of costume dress and style from antiquity through to the end of the 19th century the six volume work remains completely unique in its scope and detail

**racinet the complete costume history bibliotheca universalis** - Nov 05 2022

web the costume history a racinet author chris miller translator published by taschen 2015 10 25 cologne 2015 isbn 10 3836555409 isbn 13 9783836555401 new

*book auguste racinet the costume history bibliotheca* - Dec 26 2021

web sep 19 2020 start now auguste racinet the costume history bibliotheca universalis download and read online download ebook pdf ebook epub

**taschen books auguste racinet the costume history** - Jan 07 2023

web oct 25 2015 booktopia has racinet the complete costume history bibliotheca universalis by françoise tétart vittu buy a discounted hardcover of racinet the

e book download auguste racinet the costume history - Apr 29 2022

web aug 21 2020 book description originally published in france between 1876 and 1888 auguste racinet s le costume historique was in its day the most wide ranging and

**auguste racinet the costume history bibliotheca universalis** - Jul 13 2023

web auguste racinet the costume history bibliotheca universalis fashion design free download as pdf file pdf text file txt or read online for free read auguste

*historical encyclopedia of costumes racinet auguste* - May 31 2022

web pdf download auguste racinet the costume history bibliotheca universalis ebook read online more info

**auguste racinet the costume history from ancient** - Mar 09 2023

web add to cart racinet s costume history is a landmark in the study of clothing and style from eskimo attire to high french couture this unrivalled encyclopedia is an invaluable

**the costume history from ancient times to the 19th century all** - Aug 14 2023

web aug 1 2022 originally published in france between 1876 and 1888 auguste racinet s le costume historique was the most wide ranging and incisive study of clothing ever

**auguste racinet the cost yumpu** - Feb 25 2022

web pdf download auguste racinet the costume history bibliotheca universalis ebook read online link read download and more info