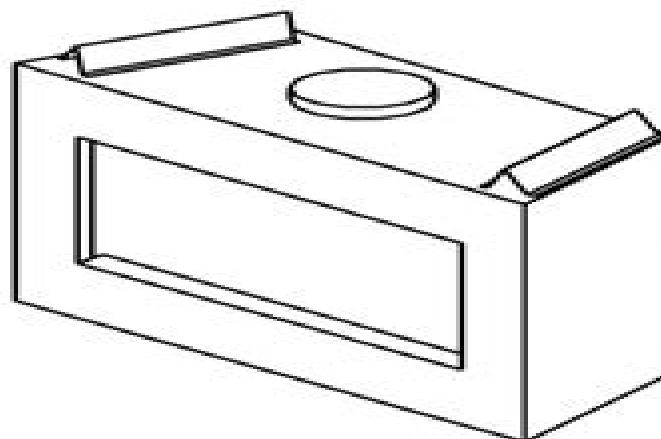




SUPER B-VENT GAS FIREPLACE

INSTALLATION AND OPERATING INSTRUCTIONS

MODELS: BV(4536,5142)(N,P)(V,E)B



WARNING: If the information in these instructions are not followed exactly, a fire or explosion may result causing property damage, personal injury or death.

- Do not store or use gasoline or other flammable vapors and liquids in the vicinity of this or any other appliance.
- **WHAT TO DO IF YOU SMELL GAS**
 - Do not try to light any appliance.
 - Do not touch any electrical switch; do not use any phone in your building;
 - Immediately call your gas supplier from a neighbor's phone. Follow the gas supplier's instructions.
 - If you cannot reach your gas supplier, call the fire department.
- Installation and service must be performed by a qualified installer, service agency or the gas supplier.

This appliance may be installed in an aftermarket, permanently located, manufactured home or mobile home, where not prohibited by local codes.

This appliance is only for use with the type of gas indicated on the rating plate. This appliance is not convertible for use with other gases, unless a certified kit is used.

For Residential Use-Meets All HUD Requirements For Manufactured Housing Installations

DUE TO HIGH TEMPERATURES, THE APPLIANCE SHOULD BE LOCATED OUT OF TRAFFIC AND AWAY FROM FURNITURE AND DRAPERIES.

CHILDREN AND ADULTS SHOULD BE ALERTED TO THE HAZARDS OF HIGH SURFACE TEMPERATURE AND SHOULD STAY AWAY TO AVOID BURNS OR CLOTHING IGNITION.

YOUNG CHILDREN SHOULD BE SUPERVISED WHEN THEY ARE IN THE SAME ROOM AS THE APPLIANCE.

CLOTHING OR OTHER FLAMMABLE MATERIAL SHOULD NOT BE PLACED ON OR NEAR THE APPLIANCE.

KEEP THE ROOM AREA CLEAR AND FREE FROM COMBUSTIBLE MATERIALS, GASOLINE, AND OTHER FLAMMABLE VAPORS AND LIQUIDS.

• READ BEFORE INSTALLING OR OPERATING AND SAVE THESE INSTRUCTIONS •

Martin Gas Heater Manual

F Rizvi



Martin Gas Heater Manual:

Fuel your quest for knowledge with Authored by is thought-provoking masterpiece, **Martin Gas Heater Manual** . This educational ebook, conveniently sized in PDF (*), is a gateway to personal growth and intellectual stimulation. Immerse yourself in the enriching content curated to cater to every eager mind. Download now and embark on a learning journey that promises to expand your horizons. .

https://staging.conocer.cide.edu/data/browse/default.aspx/manual_solution_segerlind.pdf

Table of Contents Martin Gas Heater Manual

1. Understanding the eBook Martin Gas Heater Manual
 - The Rise of Digital Reading Martin Gas Heater Manual
 - Advantages of eBooks Over Traditional Books
2. Identifying Martin Gas Heater Manual
 - Exploring Different Genres
 - Considering Fiction vs. Non-Fiction
 - Determining Your Reading Goals
3. Choosing the Right eBook Platform
 - Popular eBook Platforms
 - Features to Look for in an Martin Gas Heater Manual
 - User-Friendly Interface
4. Exploring eBook Recommendations from Martin Gas Heater Manual
 - Personalized Recommendations
 - Martin Gas Heater Manual User Reviews and Ratings
 - Martin Gas Heater Manual and Bestseller Lists
5. Accessing Martin Gas Heater Manual Free and Paid eBooks
 - Martin Gas Heater Manual Public Domain eBooks
 - Martin Gas Heater Manual eBook Subscription Services
 - Martin Gas Heater Manual Budget-Friendly Options

6. Navigating Martin Gas Heater Manual eBook Formats
 - ePub, PDF, MOBI, and More
 - Martin Gas Heater Manual Compatibility with Devices
 - Martin Gas Heater Manual Enhanced eBook Features
7. Enhancing Your Reading Experience
 - Adjustable Fonts and Text Sizes of Martin Gas Heater Manual
 - Highlighting and Note-Taking Martin Gas Heater Manual
 - Interactive Elements Martin Gas Heater Manual
8. Staying Engaged with Martin Gas Heater Manual
 - Joining Online Reading Communities
 - Participating in Virtual Book Clubs
 - Following Authors and Publishers Martin Gas Heater Manual
9. Balancing eBooks and Physical Books Martin Gas Heater Manual
 - Benefits of a Digital Library
 - Creating a Diverse Reading Collection Martin Gas Heater Manual
10. Overcoming Reading Challenges
 - Dealing with Digital Eye Strain
 - Minimizing Distractions
 - Managing Screen Time
11. Cultivating a Reading Routine Martin Gas Heater Manual
 - Setting Reading Goals Martin Gas Heater Manual
 - Carving Out Dedicated Reading Time
12. Sourcing Reliable Information of Martin Gas Heater Manual
 - Fact-Checking eBook Content of Martin Gas Heater Manual
 - Distinguishing Credible Sources
13. Promoting Lifelong Learning
 - Utilizing eBooks for Skill Development
 - Exploring Educational eBooks
14. Embracing eBook Trends
 - Integration of Multimedia Elements

- Interactive and Gamified eBooks

Martin Gas Heater Manual Introduction

In today's digital age, the availability of Martin Gas Heater Manual books and manuals for download has revolutionized the way we access information. Gone are the days of physically flipping through pages and carrying heavy textbooks or manuals. With just a few clicks, we can now access a wealth of knowledge from the comfort of our own homes or on the go. This article will explore the advantages of Martin Gas Heater Manual books and manuals for download, along with some popular platforms that offer these resources. One of the significant advantages of Martin Gas Heater Manual books and manuals for download is the cost-saving aspect. Traditional books and manuals can be costly, especially if you need to purchase several of them for educational or professional purposes. By accessing Martin Gas Heater Manual versions, you eliminate the need to spend money on physical copies. This not only saves you money but also reduces the environmental impact associated with book production and transportation. Furthermore, Martin Gas Heater Manual books and manuals for download are incredibly convenient. With just a computer or smartphone and an internet connection, you can access a vast library of resources on any subject imaginable. Whether you're a student looking for textbooks, a professional seeking industry-specific manuals, or someone interested in self-improvement, these digital resources provide an efficient and accessible means of acquiring knowledge. Moreover, PDF books and manuals offer a range of benefits compared to other digital formats. PDF files are designed to retain their formatting regardless of the device used to open them. This ensures that the content appears exactly as intended by the author, with no loss of formatting or missing graphics. Additionally, PDF files can be easily annotated, bookmarked, and searched for specific terms, making them highly practical for studying or referencing. When it comes to accessing Martin Gas Heater Manual books and manuals, several platforms offer an extensive collection of resources. One such platform is Project Gutenberg, a nonprofit organization that provides over 60,000 free eBooks. These books are primarily in the public domain, meaning they can be freely distributed and downloaded. Project Gutenberg offers a wide range of classic literature, making it an excellent resource for literature enthusiasts. Another popular platform for Martin Gas Heater Manual books and manuals is Open Library. Open Library is an initiative of the Internet Archive, a non-profit organization dedicated to digitizing cultural artifacts and making them accessible to the public. Open Library hosts millions of books, including both public domain works and contemporary titles. It also allows users to borrow digital copies of certain books for a limited period, similar to a library lending system. Additionally, many universities and educational institutions have their own digital libraries that provide free access to PDF books and manuals. These libraries often offer academic texts, research papers, and technical manuals, making them invaluable resources for students and researchers. Some notable examples include MIT OpenCourseWare, which offers free access to course materials from the Massachusetts Institute of

Technology, and the Digital Public Library of America, which provides a vast collection of digitized books and historical documents. In conclusion, Martin Gas Heater Manual books and manuals for download have transformed the way we access information. They provide a cost-effective and convenient means of acquiring knowledge, offering the ability to access a vast library of resources at our fingertips. With platforms like Project Gutenberg, Open Library, and various digital libraries offered by educational institutions, we have access to an ever-expanding collection of books and manuals. Whether for educational, professional, or personal purposes, these digital resources serve as valuable tools for continuous learning and self-improvement. So why not take advantage of the vast world of Martin Gas Heater Manual books and manuals for download and embark on your journey of knowledge?

FAQs About Martin Gas Heater Manual Books

How do I know which eBook platform is the best for me? Finding the best eBook platform depends on your reading preferences and device compatibility. Research different platforms, read user reviews, and explore their features before making a choice. Are free eBooks of good quality? Yes, many reputable platforms offer high-quality free eBooks, including classics and public domain works. However, make sure to verify the source to ensure the eBook credibility. Can I read eBooks without an eReader? Absolutely! Most eBook platforms offer web-based readers or mobile apps that allow you to read eBooks on your computer, tablet, or smartphone. How do I avoid digital eye strain while reading eBooks? To prevent digital eye strain, take regular breaks, adjust the font size and background color, and ensure proper lighting while reading eBooks. What the advantage of interactive eBooks? Interactive eBooks incorporate multimedia elements, quizzes, and activities, enhancing the reader engagement and providing a more immersive learning experience. Martin Gas Heater Manual is one of the best book in our library for free trial. We provide copy of Martin Gas Heater Manual in digital format, so the resources that you find are reliable. There are also many Ebooks of related with Martin Gas Heater Manual. Where to download Martin Gas Heater Manual online for free? Are you looking for Martin Gas Heater Manual PDF? This is definitely going to save you time and cash in something you should think about.

Find Martin Gas Heater Manual :

manual solution segerlind

manual sandero stepway

[manual ricoh jp735](#)

[manual supervisor training](#)

[manual repair yamaha bt 1100 bulldog](#)

manual taller daelim

manual suzuki vstrom

manual repair engine bmw e46 320

[manual reparatii dacia solenza](#)

[manual suzuki ae 50](#)

[manual teclado yamaha psr 520 portugues](#)

[manual t800 kenworth](#)

[manual solutions of applied hydrogeology by fetter](#)

manual suzuki rmx450z 2012

manual solution for thermodynamics seventh edition 4shared

Martin Gas Heater Manual :

book review restructuring culture identification of difference - Sep 16 2023

web book review restructuring culture identification of difference and the regulation of change in ex mining communities

david byrne view all authors and affiliations volume 24 issue 3 doi org 10 1177 030913250002400327

[restructuring culture identification of differenc](#) - Nov 06 2022

web kindly say the restructuring culture identification of differenc is universally compatible with any devices to read

restructuring high schools for equity and excellence valerie e lee 2001 01 01 this book demonstrates empirical links with

achievement and investigates how restructuring relates to school size teachers

restructuring culture identification of differenc - Jun 13 2023

web restructuring culture identification of differenc label free identification of different cancer cells using deep learning

american institute of physics jan 13 2019 label free identification of different cancer cells using deep learning american

institute of physics task based activation and resting state connectivity predict

restructuring culture identification of difference and the - Feb 09 2023

web sep 9 2023 restructuring and re engineering in strategic how cultural differences may affect student performance a

parative analysis of cultural petence in beginning how a restructure affects culture change designs

restructuring culture identification of differenc - Jul 14 2023

web leininger s culture care diversity and universality the politics of cultural differences putting the restructuring process of

a company into practice renovation nation resources in education culture and society in the asia pacific liquid city
restructuring culture identification of differenc downloaded from eagldemo2 eagltechnology com by guest

restructuring culture identification of differenc shaul io - Mar 30 2022

web kindly say the restructuring culture identification of differenc is universally compatible with any devices to read can two
rights make a wrong sara j moulton reger 2023 03 29 nowadays nearly every business leader recognizes the crucial
importance of culture but in many organizations attempts to handle culture issues remain squishy

restructuring culture identification of differenc pdf - Jul 02 2022

web restructuring culture identification of differenc bone and joint infections may 13 2022 infections of the bones
osteomyelitis and joints septic arthritis are serious health problems which require antibiotics and often surgery awareness
among health professionals of the

restructuring culture identification of differenc - Mar 10 2023

web restructuring culture identification of differenc as you such as by searching the title publisher or authors of guide you
truly want you can discover them rapidly in the house workplace or perhaps in your method can be all best place within net
connections

restructuring culture identification of differenc - Apr 11 2023

web 2 restructuring culture identification of differenc 2022 05 04 imaginative culture and human nature evolutionary
perspectives on the arts religion and ideology routledge megalopolis was the name given to a peloponnesian city that was
founded around 371

what is difference between cultural diffusion and cultural drift - Feb 26 2022

web futres for forecasting for me cultural diffusion is an objective name for acceptance of outside elements in the cultural
sphere entering into the local culture whereas drift is something

restructuring culture identification of difference and the - Jun 01 2022

web aug 19 2023 understanding different cultures hofstede s model of national cultural differences and identification of
nursing assessment models tools analysis of cultural differences between usa south establishing cultural influences on risk
management 11 culture restructuring cognitive behavior

06 cultural restructuring a transformation cognitive behavior - Aug 03 2022

web 06 cultural restructuring a transformation abstract this is a prevention protocol the skills protocols techniques and
procedures that are used in cognitive behavior management can be used proactively to promote balanced and rational
thinking and prevent problems in living greenberg et al 1 have provided a report that identifies

cultural differentiation an overview sciencedirect topics - Dec 07 2022

web ethnic identity and ethnicity in archaeology margarita díaz andreu in international encyclopedia of the social behavioral sciences second edition 2015 abstract in this article ethnicity is defined as that aspect of a person s self conceptualization and his or her conceptualization by other individuals that results from identification with one or more

restructuring culture identification of difference and the - May 12 2023

web search the for website expand more articles find articles in journals magazines newspapers and more catalog explore books music movies and more databases locate databases by title and description journals find journal titles uwdc discover digital collections images sound recordings and more website find information on

mechanisms of cultural change invention diffusion innovation - Apr 30 2022

web mar 3 2022 when speaking of diffusion there are different types of this mechanism for cultural change for instance there is direct diffusion as the name implies this occurs when societies come in

book review restructuring culture identification of difference - Aug 15 2023

web jul 1 2016 book review restructuring culture identification of difference and the regulation of change in ex mining communities david byrne 2000 9 048 restricted access review article first published online july 1 2016

restructuring culture identification of differenc - Jan 28 2022

web building anticipation of restructuring in europe educational management culture and society in the asia pacific taking food public sociological thought the politics of cultural differences human interaction emerging technologies and future applications ii restructuring culture identification of differenc downloaded from

back button worldcat org - Sep 04 2022

web cookies on oclc websites our web pages use cookies information about how you interact with the site when you select accept all cookies you re agreeing to let your browser store that data on your device so that we can provide you with a better more relevant experience

in their own words cultural connections to religion among - Oct 05 2022

web october 11 2023 pew research center recently conducted a survey on religion among asian americans the largest nationally representative survey of its kind to date in addition to look more deeply into how asian americans think about religion we arranged 20 structured small group conversations focus groups and five in depth one on one

restructuring culture identification of difference and the regul - Jan 08 2023

web restructuring culture identification of difference and the regulation of change in ex mining communities restructuring culture category book wonderclub sto product

oxford primary illustrated maths dictionary scholastic shop - Feb 27 2022

web this dictionary is part of a set of oxford primary illustrated reference titles which include a companion thesaurus a maths

dictionary science dictionary and computing

oxford primary illustrated maths dictionary scholastic shop - Jul 03 2022

web sep 5 2019 an easy to use illustrated dictionary that includes over 1000 words and meanings to help young learners

understand key maths terms and concepts at school

the oxford illustrated bilingual maths dictionary - Oct 26 2021

oxford primary illustrated maths dictionary free resources - Feb 10 2023

web the oxford illustrated math dictionary supports and promotes academic success in math and science by making academic vocabulary accessible to high beginning and

[oxford illustrated math dictionary united states](#) - Jan 09 2023

web the oxford primary illustrated maths dictionary supports the curriculum and gives comprehensive coverage of the key maths terminology children use in the primary

oxford first illustrated maths dictionary oxford university press - Mar 31 2022

web the oxford first illustrated dictionary is beautifully illustrated by well known picture book artist emma chichester clark over 2000 entries give clear meanings and

oxford primary illustrated maths dictionary amazon co uk - Sep 05 2022

web our price 9 00 a new edition of this favourite illustrated alphabetical dictionary of key maths terms and concepts from the curriculum an essential dictionary for children

oxford very first dictionary oxford owl for home - Nov 26 2021

web these worksheets and activities are the perfect accompaniment to the oxford primary illustrated maths dictionary for children of 8 years colourful and engaging this

oxford first illustrated dictionary oxford owl for home - Jan 29 2022

web isbn 13 9780192756824 a fully illustrated alphabetical first dictionary for 4 5 year olds the oxford very first dictionary introduces children aged 4 to the features of a

[oxford primary illustrated maths dictionary paperback](#) - Jun 02 2022

web the oxford first illustrated maths dictionary supports the curriculum and gives your child a head start in understanding first maths concepts organised alphabetically this

[oxford primary illustrated dictionary oxford owl for home](#) - Dec 28 2021

web may 18 2022 the new oxford illustrated bilingual maths dictionary available in english isizulu and english setswana recognises the need for eal learners in the

[oxford first illustrated maths dictionary free resources](#) - Jul 15 2023

web these worksheets and activities are the perfect accompaniment to the oxford first illustrated maths dictionary for children of 5 years colourful and engaging this is a

[oxford illustrated math dictionary e book united states oxford](#) - Oct 06 2022

web sep 5 2019 paperback 14 70 other new and used from 5 92 an easy to use illustrated dictionary that includes over 1000 words and meanings to help young

oxford first illustrated maths dictionary amazon com - May 13 2023

web a new edition of this favourite illustrated alphabetical dictionary of key maths terms and concepts from the curriculum an essential dictionary for children aged 8 11 to use at

[oxford primary illustrated maths dictionary amazon com](#) - Aug 04 2022

web oxford primary illustrated maths dictionary paperback kitap açıklaması the oxford primary illustrated maths dictionary supports the curriculum and gives comprehensive

oxford primary illustrated maths dictionary oxford dictionary - Dec 08 2022

web isbn 978 0 19 483542 8 price usd 23 10 sales tax the e book comes to life with extra digital features to engage students and enhance their learning experience including

oxford primary illustrated maths dictionary waterstones - May 01 2022

web our price 15 40 9 99 a new edition of this favourite illustrated alphabetical dictionary of key maths terms and concepts from the curriculum an essential dictionary for children

oxford primary illustrated maths dictionary - Apr 12 2023

web may 2 2013 organised alphabetically this dictionary gives simple and clear meanings for over 300 maths words and concepts from add to zero each entry is illustrated with

oxford first illustrated maths dic amazon com - Mar 11 2023

web buy the oxford primary illustrated maths dictionary 1 using the dictionary challenge pdf using the dictionary super challenge pdf 2 fractions challenge pdf

[oxford first illustrated maths dictionary free download borrow](#) - Jun 14 2023

web the oxford first illustrated maths dictionary supports the curriculum and gives your child a head start in understanding first maths concepts organised alphabetically this

[oxford first illustrated maths dictionary oxford dictionary](#) - Aug 16 2023

web may 2 2013 the oxford first illustrated maths dictionary supports the curriculum and gives your child a head start in understanding first maths concepts organised

oxford primary illustrated maths dictionary - Nov 07 2022

web discount by amazon terms shop items an easy to use illustrated dictionary that includes over 1000 words and meanings to help young learners understand key maths

oxford primary illustrated maths dictionary free resources - Sep 24 2021

how to learn to repair small engines briggs - Dec 11 2022

jan 2 2012 for all spares and service items for your mowers i use and recommend this website tidd ly 47sy8ot

repairlawnmowersforprofit com recommended p

briggs stratton 1330 repair manual download issuu - Jul 06 2022

jan 22 2018 get repair manual briggs and stratton 1330 pdf file for free from our online library repair manual briggs and stratton 1330 the main subject on this ebook

briggs stratton twin cylinder I head repair manual - Nov 10 2022

feb 2 2018 briggs stratton 1330 repair manual download save this book to read briggs stratton 1330 repair manual

download pdf ebook at our online library get briggs stratton

find manual parts list briggs stratton - May 16 2023

a good source for engine specifications and technical servicing information would be a briggs stratton repair manual lookup manual by engine model the correct repair manual for

briggs stratton 1330 repair manual download youtube - Apr 03 2022

following the user manual for installation maintenance assembly or troubleshoot is an crucial prerequisite for safety in addition to protect consumers from any liability from the manufacturer

briggs and stratton repair manual 1330 download - Nov 29 2021

briggs and stratton 1330 manual diyot forums - Aug 19 2023

oct 2 2023 briggs and stratton repair manual 1330 2018 09 12 1 7 briggs and stratton repair manual 1330 introduction

briggs and stratton repair manual 1330 pdf find

briggs and stratton 1330 repair manual united states - Jun 05 2022

jul 5 2022 free download briggs 1330 repair manual pdf pdf manuals library briggs 1330 repair manual pdf 2014 04 06

briggs and stratton repair

d i y lawn mower repair briggs stratton engine manuals - Sep 08 2022

feb 5 2023 in this article we ll provide you with a comprehensive guide to using the briggs and stratton repair manual and

taking care of your lawn mower engine understanding the

briggs stratton free pdf manuals download manualslib - Oct 09 2022

feb 15 2023 the briggs and stratton repair manual 1330 founded in june 1998 is dedicated to the appreciation and preservation of the 1967 to 1973 mercury cougar and

briggs and stratton repair manual 1330 full pdf - Jun 17 2023

find your operator s manual whether you are putting your equipment away for the season or needing to replace a part locate your equipment or engine manual to get the information

briggs and stratton repair manual training see website - Aug 07 2022

apr 6 2023 copy paste link to downloadgelstoplus site 138 keyword briggs stratton 1330 repair manual download *manuals briggs stratton* - Apr 15 2023

275429 2 cylinder liquid cooled repair manual ms1055 3 cylinder liquid cooled diesel manual ce8069 antique repair manual 1919 1981 ms0750 3 cylinder liquid cooled gas

model vs repair manuals briggs stratton - Feb 13 2023

view and download briggs stratton manuals for free 19hp briggs stratton with 42

briggs stratton 1330 repair manual download by t6437 issuu - Oct 29 2021

briggs stratton 130g00 repair manual pdf download - Jan 12 2023

jun 20 2012 if your mower has a briggs stratton engine you can download the engine manual online from the briggs stratton website the engine manual includes specs for

briggs stratton 1330 repair manual pdf united states tutorials - Feb 01 2022

briggs stratton 1330 repair manual download - Dec 31 2021

repair manual briggs and stratton 1330 issuu - Mar 02 2022

jan 18 2018 read briggs stratton 1330 repair manual download by t6437 on issuu and browse thousands of other publications on our platform start here

briggs and stratton parts list repair manual - Mar 14 2023

view and download briggs stratton 130g00 repair manual online single cylinder ohv air cooled engines 130g00 engine pdf manual download also for 131g00 13r200

briggs and stratton 1330 repair manual pdf by - Sep 20 2023

2017 06 06 4 8 briggs and stratton repair manual 1330 labor rate 115 hour mike s automotive service 52 berlin rd stratford nj 08084 profile services mike s automotive service at 52 berlin rd

briggs and stratton repair manual 1330 pdf - Jul 18 2023

find the operator s manual or illustrated parts list for your briggs stratton engine or product by following the instructions below looking for a part number use the parts lookup tool to find

the briggs and stratton repair manual your go to guide for - May 04 2022

briggs stratton 1330 repair manual download suzuki sx4 1663 pages mar 23 2022 03 22 27 066 views collection oct 11 2022

10 22 our advantages briggs stratton