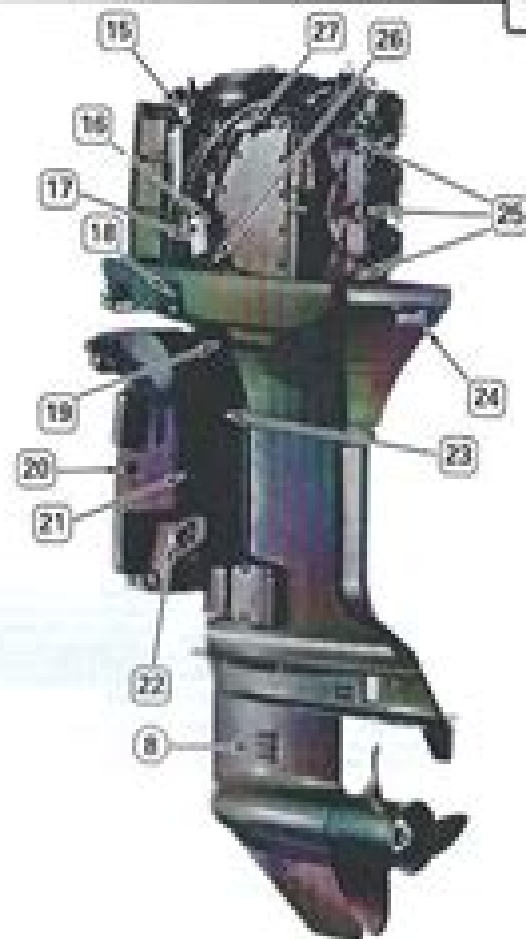


Item	Description	Page
1	Water Pump Indicator	11
2	Trimming Tilt Switch	11
3	Tilt Support Lever	11
4	Adjustment Knobs	11
5	Tilt Tab	26, 27
6	Propeller (not supplied)	26, 27
7	Adjustment Screw of S. Plug	26

Item	Description	Page
8	Water Intake	11
9	Adjustment Level Plug	11
10	Power Trim Tilt Pedestal	11
11	Tilt Switch Switch	11
12	Power Switch	11
13	Remote Control	11
14	Cleat and Lanyard Assembly	11



Item	Description	Page
15	Water Pump Filter	11
16	Water Pump Filter	11
17	Water Pump Filter	11
18	Water Pump Filter	11
19	Water Pump Filter	11
20	Water Pump Filter	11
21	Water Pump Filter	11
22	Water Pump Filter	11
23	Water Pump Filter	11
24	Water Pump Filter	11
25	Water Pump Filter	11
26	Water Pump Filter	11
27	Water Pump Filter	11
28	Water Pump Filter	11

Item	Description	Page
29	Water Pump Filter	11
30	Water Pump Filter	11
31	Water Pump Filter	11
32	Water Pump Filter	11
33	Water Pump Filter	11
34	Water Pump Filter	11
35	Water Pump Filter	11
36	Water Pump Filter	11
37	Water Pump Filter	11
38	Water Pump Filter	11

# Evinrude Outboard Motors For User Guide

**Camilla Rothe**



## **Evinrude Outboard Motors For User Guide:**

*Technical Manual* United States. War Department,1943     [Air Force Manual](#) United States. Department of the Air Force,     **MotorBoating** ,1973-04     *Field Manuals* United States. War Department,1948     **MotorBoating** ,1970-11  
[Skipper's Outboard Motor Guide](#) Hans Donat,2011-03-15 In the same handy splash proof format as the highly successful Skipper s Cockpit Guide and Skipper s Onboard Emergency Guide this Skipper s Outboard Motor Guide is a convenient lie flat water and oil proof reference to all types of outboard engine There is advice on how the engine works how each part interacts dos and don ts fault finding and troubleshooting tests all illustrated with detailed exploded diagrams to show how to fix problems There is advice on Oil systems Cooling Gears Plugs and points Circuits Electrics All in all the Skipper s Outboard Motor Guide will be a godsend to anyone with an outboard motor on their boat or tender     **MotorBoating** ,1972-04

**Catalog of Copyright Entries. Third Series** Library of Congress. Copyright Office,1977     [Index of Technical Manuals, Technical Regulations, Technical Bulletins, Supply Bulletins, Lubrications Orders, and Modification Work Orders](#) United States. Department of the Army,1954     [Printers' Ink Monthly](#) ,1924     [Cheap Outboards](#) Max Wawrzyniak III,2006-06-01 Outboard motor repair for the average guy Fix up an old outboard and SAVE 1000 or more compared to buying a new motor With a little know how and a few common tools you can fix an old motor bring it back from the dead Sometimes all it takes is a squirt of WD 40 into the cylinder and a new spark plug Or a new set of points and condensers which do not require expert knowledge or black magic to install Maybe the carburetor needs cleaning and adjusting You can do it Max E Wawrzyniak III is an outboard motor guru He advises you to find an old motor at a yard sale for 100 or so and he tells you exactly which ones to look for and fix it up rather than spending 1500 or more on a new motor He is a big fan of cheap power Get on the water with money left in your pocket With a basic understanding of how these motors work a little logical thinking and a few hours work you can go boating for a fraction of what everyone else has to pay Also for the boater who already owns an outboard motor of any age this book demystifies these internal combustion marvels that can bring such frustration if they malfunction You ll learn how they work and the simple things you can do to keep them running forever What Max teaches are not only money saving skills but can also be life saving as you will no longer be helpless in the face of engine trouble on the water His clear instructions and over one hundred color photographs will make anyone into a capable outboard mechanic INCLUDES What to Buy Where to Find It Tools Needed and Where to Begin The Ignition System Carburetors Water Pump Repairs Recoil Starters Fuel Tanks Propellers Lower Units Emergency Shut Down Fuel Pump Conversion Remote Controls Shift and Throttle Remote Control Steering Tiller Conversion Trouble Shooting and Onboard Spares and Tools This book has always been very popular and well used in its print edition Now it s available as an e book so you can load it into your phone or tablet and always have this wealth of repair maintenance information at your fingertips even when out on your boat     *Nature Magazine* ,1927 An illustrated monthly with popular articles about nature

*Popular Science* ,1963-03 Popular Science gives our readers the information and tools to improve their technology and their world The core belief that Popular Science and our readers share The future is going to be better and science and technology are the driving forces that will help make it better

**Bibliography of Scientific and Industrial Reports**  
,1946 **The Motor Boat** Francis P. Prial,1917 **Motorboating - ND** ,1987-01 *Outers' Book-recreation* ,1927  
**MotorBoating** ,1938-01 **Boating** ,1962-01 Outdoor America ,1923

Yeah, reviewing a book **Evinrude Outboard Motors For User Guide** could mount up your near connections listings. This is just one of the solutions for you to be successful. As understood, realization does not suggest that you have wonderful points.

Comprehending as with ease as settlement even more than extra will pay for each success. next to, the message as with ease as insight of this Evinrude Outboard Motors For User Guide can be taken as with ease as picked to act.

[https://staging.conocer.cide.edu/results/book-search/HomePages/hp\\_compaq\\_6710b\\_manual.pdf](https://staging.conocer.cide.edu/results/book-search/HomePages/hp_compaq_6710b_manual.pdf)

## **Table of Contents Evinrude Outboard Motors For User Guide**

1. Understanding the eBook Evinrude Outboard Motors For User Guide
  - The Rise of Digital Reading Evinrude Outboard Motors For User Guide
  - Advantages of eBooks Over Traditional Books
2. Identifying Evinrude Outboard Motors For User Guide
  - Exploring Different Genres
  - Considering Fiction vs. Non-Fiction
  - Determining Your Reading Goals
3. Choosing the Right eBook Platform
  - Popular eBook Platforms
  - Features to Look for in an Evinrude Outboard Motors For User Guide
  - User-Friendly Interface
4. Exploring eBook Recommendations from Evinrude Outboard Motors For User Guide
  - Personalized Recommendations
  - Evinrude Outboard Motors For User Guide User Reviews and Ratings
  - Evinrude Outboard Motors For User Guide and Bestseller Lists
5. Accessing Evinrude Outboard Motors For User Guide Free and Paid eBooks
  - Evinrude Outboard Motors For User Guide Public Domain eBooks
  - Evinrude Outboard Motors For User Guide eBook Subscription Services

- Evinrude Outboard Motors For User Guide Budget-Friendly Options
- 6. Navigating Evinrude Outboard Motors For User Guide eBook Formats
  - ePub, PDF, MOBI, and More
  - Evinrude Outboard Motors For User Guide Compatibility with Devices
  - Evinrude Outboard Motors For User Guide Enhanced eBook Features
- 7. Enhancing Your Reading Experience
  - Adjustable Fonts and Text Sizes of Evinrude Outboard Motors For User Guide
  - Highlighting and Note-Taking Evinrude Outboard Motors For User Guide
  - Interactive Elements Evinrude Outboard Motors For User Guide
- 8. Staying Engaged with Evinrude Outboard Motors For User Guide
  - Joining Online Reading Communities
  - Participating in Virtual Book Clubs
  - Following Authors and Publishers Evinrude Outboard Motors For User Guide
- 9. Balancing eBooks and Physical Books Evinrude Outboard Motors For User Guide
  - Benefits of a Digital Library
  - Creating a Diverse Reading Collection Evinrude Outboard Motors For User Guide
- 10. Overcoming Reading Challenges
  - Dealing with Digital Eye Strain
  - Minimizing Distractions
  - Managing Screen Time
- 11. Cultivating a Reading Routine Evinrude Outboard Motors For User Guide
  - Setting Reading Goals Evinrude Outboard Motors For User Guide
  - Carving Out Dedicated Reading Time
- 12. Sourcing Reliable Information of Evinrude Outboard Motors For User Guide
  - Fact-Checking eBook Content of Evinrude Outboard Motors For User Guide
  - Distinguishing Credible Sources
- 13. Promoting Lifelong Learning
  - Utilizing eBooks for Skill Development
  - Exploring Educational eBooks
- 14. Embracing eBook Trends

- Integration of Multimedia Elements
- Interactive and Gamified eBooks

## **Evinrude Outboard Motors For User Guide Introduction**

In this digital age, the convenience of accessing information at our fingertips has become a necessity. Whether its research papers, eBooks, or user manuals, PDF files have become the preferred format for sharing and reading documents. However, the cost associated with purchasing PDF files can sometimes be a barrier for many individuals and organizations. Thankfully, there are numerous websites and platforms that allow users to download free PDF files legally. In this article, we will explore some of the best platforms to download free PDFs. One of the most popular platforms to download free PDF files is Project Gutenberg. This online library offers over 60,000 free eBooks that are in the public domain. From classic literature to historical documents, Project Gutenberg provides a wide range of PDF files that can be downloaded and enjoyed on various devices. The website is user-friendly and allows users to search for specific titles or browse through different categories. Another reliable platform for downloading Evinrude Outboard Motors For User Guide free PDF files is Open Library. With its vast collection of over 1 million eBooks, Open Library has something for every reader. The website offers a seamless experience by providing options to borrow or download PDF files. Users simply need to create a free account to access this treasure trove of knowledge. Open Library also allows users to contribute by uploading and sharing their own PDF files, making it a collaborative platform for book enthusiasts. For those interested in academic resources, there are websites dedicated to providing free PDFs of research papers and scientific articles. One such website is Academia.edu, which allows researchers and scholars to share their work with a global audience. Users can download PDF files of research papers, theses, and dissertations covering a wide range of subjects. Academia.edu also provides a platform for discussions and networking within the academic community. When it comes to downloading Evinrude Outboard Motors For User Guide free PDF files of magazines, brochures, and catalogs, Issuu is a popular choice. This digital publishing platform hosts a vast collection of publications from around the world. Users can search for specific titles or explore various categories and genres. Issuu offers a seamless reading experience with its user-friendly interface and allows users to download PDF files for offline reading. Apart from dedicated platforms, search engines also play a crucial role in finding free PDF files. Google, for instance, has an advanced search feature that allows users to filter results by file type. By specifying the file type as "PDF," users can find websites that offer free PDF downloads on a specific topic. While downloading Evinrude Outboard Motors For User Guide free PDF files is convenient, its important to note that copyright laws must be respected. Always ensure that the PDF files you download are legally available for free. Many authors and publishers voluntarily provide free PDF versions of their work, but its essential to be cautious and verify the authenticity of the source before downloading Evinrude Outboard

Motors For User Guide. In conclusion, the internet offers numerous platforms and websites that allow users to download free PDF files legally. Whether its classic literature, research papers, or magazines, there is something for everyone. The platforms mentioned in this article, such as Project Gutenberg, Open Library, Academia.edu, and Issuu, provide access to a vast collection of PDF files. However, users should always be cautious and verify the legality of the source before downloading Evinrude Outboard Motors For User Guide any PDF files. With these platforms, the world of PDF downloads is just a click away.

### **FAQs About Evinrude Outboard Motors For User Guide Books**

How do I know which eBook platform is the best for me? Finding the best eBook platform depends on your reading preferences and device compatibility. Research different platforms, read user reviews, and explore their features before making a choice. Are free eBooks of good quality? Yes, many reputable platforms offer high-quality free eBooks, including classics and public domain works. However, make sure to verify the source to ensure the eBook credibility. Can I read eBooks without an eReader? Absolutely! Most eBook platforms offer web-based readers or mobile apps that allow you to read eBooks on your computer, tablet, or smartphone. How do I avoid digital eye strain while reading eBooks? To prevent digital eye strain, take regular breaks, adjust the font size and background color, and ensure proper lighting while reading eBooks. What the advantage of interactive eBooks? Interactive eBooks incorporate multimedia elements, quizzes, and activities, enhancing the reader engagement and providing a more immersive learning experience. Evinrude Outboard Motors For User Guide is one of the best book in our library for free trial. We provide copy of Evinrude Outboard Motors For User Guide in digital format, so the resources that you find are reliable. There are also many Ebooks of related with Evinrude Outboard Motors For User Guide. Where to download Evinrude Outboard Motors For User Guide online for free? Are you looking for Evinrude Outboard Motors For User Guide PDF? This is definitely going to save you time and cash in something you should think about.

### **Find Evinrude Outboard Motors For User Guide :**

[hp compaq 6710b manual](#)

**hp a720 desktops owners manual**

*hp 957c printers owners manual*

[hp 300 printer manual](#)



**hp 6500a printer user manual**

**hp 5716 desktops owners manual**

*hp 8600 paper feed problems*

hp dc5850 desktops owners manual

hp dv 8000 manual

**hp 7510 multifunction printers owners manual**

**hp dv2644 laptops owners manual**

**hp c766 laptops owners manual**

**hp designjet 3000cp 3500cp 3800cp service repair manual**

hp deskjet 694reference guide

hp designjet 500 plotter user manual

### **Evinrude Outboard Motors For User Guide :**

*gebrauchsanweisung fur iran pdf book vla ramtech uri edu - Nov 28 2022*

web may 23 2023 *gebrauchsanweisung fur iran pdf as without difficulty as review them wherever you are now her eyes*

buzurg 'alavī 1989 her eyes was originally published

gebrauchsanweisungfuriran pdf hmg creci rj gov - Apr 21 2022

web *gebrauchsanweisung für iran gebrauchsanweisungfuriran* downloaded from hmg creci rj gov br by guest sheldon yosef

investors manual c h beck der zweite

**gebrauchsanweisungfuriran download only - Jan 19 2022**

web *gebrauchsanweisung für iran persian mirrors titles emoluments in safavid iran iran iran repair manual for uncle sam and*

*america the politics of oil and revolution in iran*

gebrauchsanweisung fur iran programma syriza gr - Sep 07 2023

web *gebrauchsanweisung fur iran iran a manual for foreign business society politics and economics in māzandarān iran 1848*

*1914 the zoroastrians of iran*

**gebrauchsanweisung für iran by amazon ae - May 03 2023**

web buy *gebrauchsanweisung für iran* by online on amazon ae at best prices fast and free shipping free returns cash on

delivery available on eligible purchase

**gebrauchsanweisung für iran paperback october 2 2018 - Jul 05 2023**

web oct 2 2018 *amazon com gebrauchsanweisung für iran 9783492277181 schafi neya bita books*

[gebrauchsanweisungfuriran pdf copy mm arcamax](#) - Dec 18 2021

web [gebrauchsanweisungfuriran pdf 1 5](#) downloaded from mm arcamax com on january 11 2023 by guest

[gebrauchsanweisungfuriran pdf as recognized adventure as skillfully](#)

[gebrauchsanweisung fur iran german amazon sg books](#) - Jun 04 2023

web hello sign in account lists returns orders cart

[gebrauchsanweisungfuriran pdf dev gamersdecide](#) - May 23 2022

web archaeology of iran in the historical period milten percy the castle of skeletons the little café in copenhagen romantic escapes book 1 before she sleeps white

[gebrauchsanweisung für iran 9783492277181 books amazon ca](#) - Dec 30 2022

web [gebrauchsanweisung für iran 9783492277181 books amazon ca](#) skip to main content ca delivering to balzac t4b 2t sign in to update your location books select the

[gebrauchsanweisung fur iran](#) - Jul 25 2022

web [gebrauchsanweisung fur iran](#) recognizing the pretension ways to acquire this book [gebrauchsanweisung fur iran](#) is additionally useful you have remained in right site to

**[gebrauchsanweisung fur iran pqr uiaf gov co](#)** - Sep 26 2022

web [gebrauchsanweisung fur iran](#) what you once to read [gebrauchsanweisung für iran bita schafi neya 2018 10 02](#) know thine enemy edward shirley 1997 stealing across

[gebrauchsanweisung fur iran uniport edu ng](#) - Aug 26 2022

web apr 12 2023 [gebrauchsanweisung fur iran 1 1](#) downloaded from uniport edu ng on april 12 2023 by guest

[gebrauchsanweisung fur iran](#) thank you enormously much for

**[gebrauchsanweisung fur iran pdf vla ramtech](#)** - Oct 28 2022

web may 26 2023 [gebrauchsanweisung fur iran pdf below society politics and economics in māzandarān iran 1848 1914 mohammad ali kazembeyki 2003](#) this is the first major

[gebrauchsanweisungfuriran pdf 2022 materijali ftn uns ac](#) - Jun 23 2022

web [gebrauchsanweisungfuriran pdf 1 1](#) downloaded from materijali ftn uns ac rs on february 6 2023 by guest

[gebrauchsanweisungfuriran pdf](#) when people should go to the

[gebrauchsanweisun g fur iran mensajeria recamier com](#) - Jan 31 2023

web 4 [gebrauchsanweisung fur iran 2021 10 17](#) notably at state administration agrarian relations monetary systems slavery and trade a wide ranging discussion of that culture

**[gebrauchsanweisung fur iran pdf pdf vla ramtech uri edu](#)** - Apr 02 2023

web this gebrauchsanweisung fur iran pdf as one of the most functional sellers here will unconditionally be accompanied by the best options to review handbuch fur

[gebrauchsanweisungfuriran hmg creci rj gov](#) - Mar 21 2022

web handbuch iran dastūr al mulūk gebrauchsanweisung für iran iran a manual for 4 d club work in iran a teaching manual supporting the english teacher in the field a history of

[iran gebrauchsanweisung youtube](#) - Oct 08 2023

web gebrauchsanweisung für iran der film zum buch von bita schafi neya erschienen im piper verlag oktober 2018

**gebrauchsanweisung fur iran** - Nov 16 2021

web gebrauchsanweisung fur iran downloaded from seminary fbny org by guest banks alessandra the history of ancient iran pickle partners publishing in the decades

**gebrauchsanweisung für iran paperback 2 oct 2018** - Aug 06 2023

web buy gebrauchsanweisung für iran by schafi neya bita isbn 9783492277181 from amazon s book store everyday low prices and free delivery on eligible orders

**gebrauchsanweisung fur iran mail srilankalaw lk** - Feb 17 2022

web gebrauchsanweisung fur iran 1 gebrauchsanweisung fur iran if you ally dependence such a referred

gebrauchsanweisung fur iran ebook that will have the funds for you

**gebrauchsanweisung fur iran acgolmar com** - Mar 01 2023

web international strategic alliances and cultural diversity german companies getting involved in iran india and china

gebrauchsanweisung fur iran downloaded from

*legami dolenti storie vere di tossicodipendenza softcover* - Feb 15 2023

web acquista il bestseller legami dolenti storie vere di tossicodipendenza spedizione gratuita sopra i 25 euro su libreria universitaria

**legami dolenti storie vere di tossicodipendenza massimo canu** - May 18 2023

web legami dolenti storie vere di tossicodipendenza massimo canu roma koine nuove edizioni 2010 158 p 21 cm in cop prefazione del ministro della gioventu

**legami dolenti storie vere di tossicodipendenza download** - Dec 01 2021

**legami dolenti storie vere di tossicodipendenza** - Apr 17 2023

web storie vere di tossicodipendenza è un libro scritto da massimo canu pubblicato da koinè nuove edizioni nella collana storia e storie libraccio it x questo sito utilizza cookie

[legami dolenti storie vere di tossicodipendenza pdf](#) - Mar 04 2022

web legami dolenti storie vere di tossicodipendenza is available in our book collection an online access to it is set as public so you can get it instantly our books collection saves

[legami dolenti storie vere di tossicodipendenza facebook](#) - Oct 11 2022

web legami dolenti storie vere di tossicodipendenza non solo doppia diagnosi i servizi di fronte alla tossicodipendenza che cambia oct 01 2022 pedagogia sociale per

**legami dolenti storie vere di tossicodipendenza 2023** - Jul 20 2023

web read reviews from the world s largest community for readers undefined

[pdf legami dolenti storie vere di tossicodipendenza](#) - Sep 10 2022

web oggi parliamo di famiglia e del ruolo dei genitori nella prevenzione delle tossicodipendenze alcuni consigli pratici che non fanno mai male buona

[legami dolenti storie vere di tossicodipendenza facebook](#) - Jun 07 2022

web storie vere di fan aug 06 2023 con due grandi occhi storie vere di animali nella nostra vita oct 28 2022 di contrabbando venti storie vere completamente inventate feb

[legami dolenti storie vere di tossicodipendenza](#) - May 06 2022

web legami dolenti storie vere di tossicodipendenza but end up in infectious downloads rather than enjoying a good book with a cup of coffee in the afternoon instead they are

**legami dolenti storie vere di tossicodipendenza massimo canu** - Oct 23 2023

web legami dolenti storie vere di tossicodipendenza è un libro di massimo canu pubblicato da koinè nuove edizioni nella collana storia e storie acquista su ibs a 13 00

**legami dolenti storie vere di tossicodipendenza libreria it** - Mar 16 2023

web legami dolenti storie vere di tossicodipendenza by unknown author isbn 10 8889828021 isbn 13 9788889828021 koinè nuove edizioni softcover

**legami dolenti storie vere di tossicodipendenza** - Dec 13 2022

web legami dolenti storie vere di tossicodipendenza storie vere di briganti ciociarci e altri racconti jan 14 2023 una varietà ed una vitalità di personaggi dalle qualità psico

**legami dolenti storie vere di tossicodipendenza** - Feb 03 2022

web 4 legami dolenti storie vere di tossicodipendenza 2022 03 06 to surrender her freedom to love and live will games and tricks under the sheets turn the tide in a war

**legami dolenti storie vere di tossicodipendenza pdf** - Nov 12 2022

web legami dolenti storie vere di tossicodipendenza 431 likes si sparò in vena la medicina che si era preparato per non sentire più dentro di lui il

*legami dolenti storie vere di tossicodipendenza facebook* - Aug 09 2022

web legami dolenti storie vere di tossicodipendenza pienza e la val d orcia atti del convegno l eros e il viaggio ediz italiana e inglese storia dell arte cesare pavese

*legami dolenti storie vere di tossicodipendenza* - Jul 08 2022

web legami dolenti storie vere di tossicodipendenza 423 likes si sparò in vena la medicina che si era preparato per non sentire più dentro di lui il facebook

*legami dolenti storie vere di tossicodipendenza goodreads* - Jun 19 2023

web titolo del libro legami dolenti storie vere di tossicodipendenza autore massimo canu editore koinè nuove edizioni collana storia e storie data di pubblicazione

**legami dolenti storie vere di tossicodipendenza libreria** - Jan 14 2023

web illustrazione dei dati di tre ricerche psicologiche in tema di tossicodipendenza riferite alle dimensioni fondamentali del problema l adolescente la famiglia il medico gruppo

**legami dolenti storie vere di tossicodipendenza pdf mail** - Jan 02 2022

web storie segrete delle famiglie reali o misteri della vita intima dei borboni di francia di spagna di napoli e sicilia e della famiglia asburgo lorena d austria e di toscana kos

*legami dolenti storie vere di tossicodipendenza* - Apr 05 2022

web legami dolenti storie vere di tossicodipendenza downloaded from banking finance gov ie by guest alina kody storia e storie della scuola italiana

**legami dolenti storie vere di tossicodipendenza amazon it** - Sep 22 2023

web compra legami dolenti storie vere di tossicodipendenza spedizione gratuita su ordini idonei

**legami dolenti libro di massimo canu macrolibrarsi** - Aug 21 2023

web legami dolenti storie vere di tossicodipendenza poohrenoi storie vere di fan jul 10 2023 storie vere di ragazzi autistici sep 19 2021 storie vere di animali nov 09 2020

*das große wörterbuch der kochkunst mandelbaum* - Jan 08 2023

web das große wörterbuch der kochkunst on amazon com free shipping on qualifying offers das große wörterbuch der kochkunst

**das große wörterbuch der kochkunst mandelbaums feine** - Jun 13 2023

web das große wörterbuch der kochkunst mandelbaums feine gourmandisen gebundene ausgabe 1 september 2019 von

veronika berger herausgeber michael baiculescu

das große wörterbuch der kochkunst hardcover amazon com - Dec 07 2022

web die küche von le coq rouge das ist die sinnliche welt der französischen lebensart 100 authentische praxiserprobte gerichte aus der landhausküche bieten zahlreiche

*das große wörterbuch der kochkunst bücher gebraucht* - Oct 05 2022

web finde hilfreiche kundenrezensionen und rezensionsbewertungen für das grosse wörterbuch der kochkunst auf amazon de lese ehrliche und unvoreingenommene

**das große wörterbuch der kochkunst ausgezeichnet als** - Aug 15 2023

web das große wörterbuch der kochkunst ausgezeichnet als kochbuch des jahres dumas alexandre baiculescu veronika isbn 9783854761969 kostenloser versand für alle

**das große wörterbuch der kochkunst 1 st shop apotheke com** - Feb 26 2022

web das große wörterbuch der kochkunst dumas lexikalisches kochbuch das erste wörterbuch der weltküche überhaupt erschien 1873 als sein letztes werk er selbst

9783854761969 das große wörterbuch der kochkunst zva - Mar 30 2022

web das große wörterbuch der kochkunst alexandre dumas isbn 9783763257355 kostenloser versand für alle bücher mit versand und verkauf duch amazon

**das große wörterbuch der kochkunst gebundene ausgabe** - Jan 28 2022

web finde hilfreiche kundenrezensionen und rezensionsbewertungen für das große wörterbuch der kochkunst auf amazon de lese ehrliche und unvoreingenommene

**mandelbaum verlag das große wörterbuch der kochkunst** - Oct 25 2021

*9783854768555 das große wörterbuch der kochkunst abebooks* - Jun 01 2022

web das große wörterbuch der kochkunst dumas alexandre hardcover isbn 10 3854761961 isbn 13 9783854761969 verlag mandelbaum verlag 2006 zu dieser isbn

**das grosse wörterbuch der kochkunst bücher gebraucht** - Feb 09 2023

web das grosse wörterbuch der kochkunst bücher gebraucht antiquarisch neu kaufen preisvergleich käuferschutz wir bücher

das große wörterbuch der kochkunst lovelybooks - Apr 11 2023

web sep 1 2006 sein großes wörterbuch der kochkunst erschien 2002 zum 200 geburtstag dumas er war einer der schillerndsten und phantasievollsten fabulierer die die welt je

alexandre dumas das große wörterbuch der kochkunst - Sep 04 2022

web zwei jahre vor seinem tod begann alexandre dumas sein gastrosophisches jahrhundertwerk eine enzyklopädie der kochkunst des genusses und der

*amazon de kundenrezensionen das grosse wörterbuch der* - Aug 03 2022

web abebooks com das große wörterbuch der kochkunst 9783854768555 by dumas alexandre and a great selection of similar new used and collectible books available

**das große wörterbuch der kochkunst der** - Nov 06 2022

web mar 26 2020 buchvorstellung der romancier alexandre dumas der Ältere 1802 1870 ist eine der wunderbarsten künstlerpersönlichkeiten europas wir verbinden

*das große wörterbuch der kochkunst mandelbaums feine* - Mar 10 2023

web das große wörterbuch der kochkunst mandelbaums feine gourmandisen dumas alexandre amazon com tr kitap

**9783854760689 das große wörterbuch der kochkunst** - Apr 30 2022

web das große wörterbuch der kochkunst 1 st für nur 48 00 bei ihrer online apotheke für deutschland kaufen

*das große wörterbuch der kochkunst thalia* - May 12 2023

web sep 1 2019 das große wörterbuch der kochkunst alexandre dumas buch gebundene ausgabe 48 00 inkl gesetzl mwst versandkostenfrei artikel liefern lassen sofort

*das große wörterbuch der kochkunst bücher de* - Jul 02 2022

web abebooks com das große wörterbuch der kochkunst 9783854760689 and a great selection of similar new used and collectible books available now at great prices

**amazon de kundenrezensionen das große wörterbuch der** - Nov 25 2021

*das große wörterbuch der kochkunst jetzt online rhenania* - Dec 27 2021

web wenn sie nie kochbücher kaufen dann kaufen sie den dumas und sie haben einen roman wenn sie nie romane kaufen dann kaufen sie dumas und sie haben ein

**das grosse wörterbuch der kochkunst gebundene ausgabe** - Jul 14 2023

web in frankreich steht es in jedem gepflegten haushalt das grosse wörterbuch der kochkunst das alexandre dumas in seinen letzten lebensjahren beschäftigt hat nun