

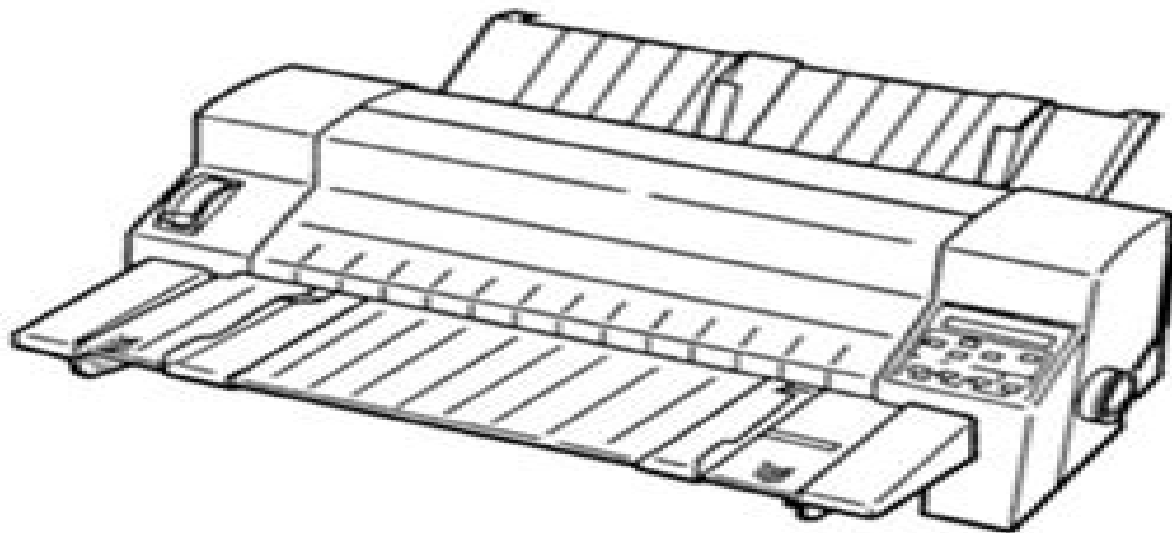


100% SATISFACTION GUARANTEE



Instant Download

Epson DLQ-3000 Terminal Printer



Service · Repair · Maintenance

DO
IT
YOUR
SELF

Epson D1q 3000 Terminal Printer Service Repair Manual

K Payea



Epson D1q 3000 Terminal Printer Service Repair Manual:

Immerse yourself in the artistry of words with is expressive creation, Discover the Artistry of **Epson Dlj 3000 Terminal Printer Service Repair Manual** . This ebook, presented in a PDF format (Download in PDF: *), is a masterpiece that goes beyond conventional storytelling. Indulge your senses in prose, poetry, and knowledge. Download now to let the beauty of literature and artistry envelop your mind in a unique and expressive way.

<https://staging.conocer.cide.edu/public/publication/HomePages/Le%20Gyneacutecologue%20Les%20Histoires%20Eacuterotiques%20Des%20Flynt.pdf>

Table of Contents Epson Dlj 3000 Terminal Printer Service Repair Manual

1. Understanding the eBook Epson Dlj 3000 Terminal Printer Service Repair Manual
 - The Rise of Digital Reading Epson Dlj 3000 Terminal Printer Service Repair Manual
 - Advantages of eBooks Over Traditional Books
2. Identifying Epson Dlj 3000 Terminal Printer Service Repair Manual
 - Exploring Different Genres
 - Considering Fiction vs. Non-Fiction
 - Determining Your Reading Goals
3. Choosing the Right eBook Platform
 - Popular eBook Platforms
 - Features to Look for in an Epson Dlj 3000 Terminal Printer Service Repair Manual
 - User-Friendly Interface
4. Exploring eBook Recommendations from Epson Dlj 3000 Terminal Printer Service Repair Manual
 - Personalized Recommendations
 - Epson Dlj 3000 Terminal Printer Service Repair Manual User Reviews and Ratings
 - Epson Dlj 3000 Terminal Printer Service Repair Manual and Bestseller Lists
5. Accessing Epson Dlj 3000 Terminal Printer Service Repair Manual Free and Paid eBooks
 - Epson Dlj 3000 Terminal Printer Service Repair Manual Public Domain eBooks
 - Epson Dlj 3000 Terminal Printer Service Repair Manual eBook Subscription Services

- Epson D1q 3000 Terminal Printer Service Repair Manual Budget-Friendly Options
- 6. Navigating Epson D1q 3000 Terminal Printer Service Repair Manual eBook Formats
 - ePub, PDF, MOBI, and More
 - Epson D1q 3000 Terminal Printer Service Repair Manual Compatibility with Devices
 - Epson D1q 3000 Terminal Printer Service Repair Manual Enhanced eBook Features
- 7. Enhancing Your Reading Experience
 - Adjustable Fonts and Text Sizes of Epson D1q 3000 Terminal Printer Service Repair Manual
 - Highlighting and Note-Taking Epson D1q 3000 Terminal Printer Service Repair Manual
 - Interactive Elements Epson D1q 3000 Terminal Printer Service Repair Manual
- 8. Staying Engaged with Epson D1q 3000 Terminal Printer Service Repair Manual
 - Joining Online Reading Communities
 - Participating in Virtual Book Clubs
 - Following Authors and Publishers Epson D1q 3000 Terminal Printer Service Repair Manual
- 9. Balancing eBooks and Physical Books Epson D1q 3000 Terminal Printer Service Repair Manual
 - Benefits of a Digital Library
 - Creating a Diverse Reading Collection Epson D1q 3000 Terminal Printer Service Repair Manual
- 10. Overcoming Reading Challenges
 - Dealing with Digital Eye Strain
 - Minimizing Distractions
 - Managing Screen Time
- 11. Cultivating a Reading Routine Epson D1q 3000 Terminal Printer Service Repair Manual
 - Setting Reading Goals Epson D1q 3000 Terminal Printer Service Repair Manual
 - Carving Out Dedicated Reading Time
- 12. Sourcing Reliable Information of Epson D1q 3000 Terminal Printer Service Repair Manual
 - Fact-Checking eBook Content of Epson D1q 3000 Terminal Printer Service Repair Manual
 - Distinguishing Credible Sources
- 13. Promoting Lifelong Learning
 - Utilizing eBooks for Skill Development
 - Exploring Educational eBooks
- 14. Embracing eBook Trends

- Integration of Multimedia Elements
- Interactive and Gamified eBooks

Epson D1q 3000 Terminal Printer Service Repair Manual Introduction

In this digital age, the convenience of accessing information at our fingertips has become a necessity. Whether its research papers, eBooks, or user manuals, PDF files have become the preferred format for sharing and reading documents. However, the cost associated with purchasing PDF files can sometimes be a barrier for many individuals and organizations. Thankfully, there are numerous websites and platforms that allow users to download free PDF files legally. In this article, we will explore some of the best platforms to download free PDFs. One of the most popular platforms to download free PDF files is Project Gutenberg. This online library offers over 60,000 free eBooks that are in the public domain. From classic literature to historical documents, Project Gutenberg provides a wide range of PDF files that can be downloaded and enjoyed on various devices. The website is user-friendly and allows users to search for specific titles or browse through different categories. Another reliable platform for downloading Epson D1q 3000 Terminal Printer Service Repair Manual free PDF files is Open Library. With its vast collection of over 1 million eBooks, Open Library has something for every reader. The website offers a seamless experience by providing options to borrow or download PDF files. Users simply need to create a free account to access this treasure trove of knowledge. Open Library also allows users to contribute by uploading and sharing their own PDF files, making it a collaborative platform for book enthusiasts. For those interested in academic resources, there are websites dedicated to providing free PDFs of research papers and scientific articles. One such website is Academia.edu, which allows researchers and scholars to share their work with a global audience. Users can download PDF files of research papers, theses, and dissertations covering a wide range of subjects. Academia.edu also provides a platform for discussions and networking within the academic community. When it comes to downloading Epson D1q 3000 Terminal Printer Service Repair Manual free PDF files of magazines, brochures, and catalogs, Issuu is a popular choice. This digital publishing platform hosts a vast collection of publications from around the world. Users can search for specific titles or explore various categories and genres. Issuu offers a seamless reading experience with its user-friendly interface and allows users to download PDF files for offline reading. Apart from dedicated platforms, search engines also play a crucial role in finding free PDF files. Google, for instance, has an advanced search feature that allows users to filter results by file type. By specifying the file type as "PDF," users can find websites that offer free PDF downloads on a specific topic. While downloading Epson D1q 3000 Terminal Printer Service Repair Manual free PDF files is convenient, its important to note that copyright laws must be respected. Always ensure that the PDF files you download are legally available for free. Many authors and publishers voluntarily provide free PDF versions of their work, but its essential to be cautious and verify the authenticity of the source

before downloading Epson D1q 3000 Terminal Printer Service Repair Manual. In conclusion, the internet offers numerous platforms and websites that allow users to download free PDF files legally. Whether its classic literature, research papers, or magazines, there is something for everyone. The platforms mentioned in this article, such as Project Gutenberg, Open Library, Academia.edu, and Issuu, provide access to a vast collection of PDF files. However, users should always be cautious and verify the legality of the source before downloading Epson D1q 3000 Terminal Printer Service Repair Manual any PDF files. With these platforms, the world of PDF downloads is just a click away.

FAQs About Epson D1q 3000 Terminal Printer Service Repair Manual Books

What is a Epson D1q 3000 Terminal Printer Service Repair Manual PDF? A PDF (Portable Document Format) is a file format developed by Adobe that preserves the layout and formatting of a document, regardless of the software, hardware, or operating system used to view or print it. **How do I create a Epson D1q 3000 Terminal Printer Service Repair Manual PDF?** There are several ways to create a PDF: Use software like Adobe Acrobat, Microsoft Word, or Google Docs, which often have built-in PDF creation tools. Print to PDF: Many applications and operating systems have a "Print to PDF" option that allows you to save a document as a PDF file instead of printing it on paper. Online converters: There are various online tools that can convert different file types to PDF. **How do I edit a Epson D1q 3000 Terminal Printer Service Repair Manual PDF?** Editing a PDF can be done with software like Adobe Acrobat, which allows direct editing of text, images, and other elements within the PDF. Some free tools, like PDFescape or Smallpdf, also offer basic editing capabilities. **How do I convert a Epson D1q 3000 Terminal Printer Service Repair Manual PDF to another file format?** There are multiple ways to convert a PDF to another format: Use online converters like Smallpdf, Zamzar, or Adobe Acrobats export feature to convert PDFs to formats like Word, Excel, JPEG, etc. Software like Adobe Acrobat, Microsoft Word, or other PDF editors may have options to export or save PDFs in different formats. **How do I password-protect a Epson D1q 3000 Terminal Printer Service Repair Manual PDF?** Most PDF editing software allows you to add password protection. In Adobe Acrobat, for instance, you can go to "File" -> "Properties" -> "Security" to set a password to restrict access or editing capabilities. Are there any free alternatives to Adobe Acrobat for working with PDFs? Yes, there are many free alternatives for working with PDFs, such as: LibreOffice: Offers PDF editing features. PDFsam: Allows splitting, merging, and editing PDFs. Foxit Reader: Provides basic PDF viewing and editing capabilities. How do I compress a PDF file? You can use online tools like Smallpdf, ILovePDF, or desktop software like Adobe Acrobat to compress PDF files without significant quality loss. Compression reduces the file size, making it easier to share and download. Can I fill out forms in a PDF file? Yes, most PDF viewers/editors like Adobe Acrobat, Preview (on Mac), or various online tools allow you to fill out forms in PDF files by selecting text fields

and entering information. Are there any restrictions when working with PDFs? Some PDFs might have restrictions set by their creator, such as password protection, editing restrictions, or print restrictions. Breaking these restrictions might require specific software or tools, which may or may not be legal depending on the circumstances and local laws.

Find Epson D1q 3000 Terminal Printer Service Repair Manual :

le gynecologue les histoires eacuterotiques des flynt

le chant de la malombre tueurs de dragons

le dernier coup de lempereur

le gribouillage et ces implications psychoartistiques the doodle revolution

le charme de ma vie lactuelle

le nouveau testament tob

le biker eacuterotique gay

le lama venu du tibet essai francce dilais

le fauteuil magique Ole monde des sortilegraveges

le catholicisme eacutevangeacutelique

le bottin gourmand paris

le dernier souffle linteacutegrade

le guide des bpm volume ndeg

~~le cauchemard de sandra les histoires eacuterotiques des flynt~~

le grand livre des ideacutes reccedilues insolite et grandes eacutenigmes

Epson D1q 3000 Terminal Printer Service Repair Manual :

ciencias naturales 6º secundaria proyecto saber hacer - Nov 06 2022

web 2020 santillana com do

ciencias de la naturaleza santillana - Jul 02 2022

web el libro ciencias de la naturaleza para sexto curso de primaria es una obra colectiva concebida diseñada y creada en el departamento de ediciones educativas de santillana educación s l dirigido por teresa greñce ruiz en su elaboración ha participado el siguiente equipo texto susana lobo fernández

ciencias de la naturaleza 6 primaria serie observa santillana - May 12 2023

web libro de texto de ciencias de la naturaleza para alumnado de 6º primaria ver muestra isbn 9788468031378

ciencias naturales sexto grado libro de primaria grado 6º - Mar 30 2022

web libro de primaria grado 6º ciclo escolar 2021 2022 comisión nacional de libros de texto gratuitos ir a página

libro ciencias naturales 6 grado de primaria santillana - Jul 14 2023

web sep 4 2021 el libro de ciencias naturales 6 grado de primaria de la editorial santillana es el material didáctico oficial para que tanto los estudiantes como los docentes puedan utilizarlo como recurso educativo en el aula

ciencias naturaleza 6 primaria serie investiga santillana - Aug 15 2023

web libro de ciencias de la naturaleza para 6 de primaria serie investiga entrena la creatividad y el pensamiento gracias al trabajo cooperativo descúbrelo

ciencias de la naturaleza santillana - Oct 05 2022

web el libro ciencias de la naturaleza para el 6 curso de primaria es una obra colectiva concebida diseñada y creada en el departamento de ediciones educativas de santillana educación s l dirigido por teresa greñe ruiz en su elaboración ha participado el siguiente equipo texto

libro ciencias naturales 6 básico santillana cuaderno de - Apr 30 2022

web descargar libro curso 6 básico asignatura ciencias naturales tipo textos escolares elaborados por mineduc editorial santillana asignatura ciencias naturales curso 6 básico unidad priorización unidad 1 unidad 2 unidad 3 unidad 4 tipo textos escolares elaborados por mineduc

los caminos del saber ciencias 6 santillana - Sep 04 2022

web 6 los caminos del saber ciencias 6 método los caminos del saber es un programa de educación que te ofrece múltiples recursos impresos y digitales para que adquieras conocimientos ver índice isbn 7709991118772

santillana - Jun 01 2022

web en la última etapa de primaria ciencias de la naturaleza prepara a los niños para el salto al instituto la reproducción y los cambios del cuerpo en la pubertad cobran importancia en este volumen aula virtual santillana compra tus libros digitales sobre nosotros actualidad contacto sobre nosotros actualidad contacto qué estás

ciencias de la naturaleza 6 santillana - Dec 07 2022

web ciencias de la naturaleza 6 método saber hacer la serie extiende su propuesta al área de conocimiento de la naturaleza en 5 disciplinas presentes en el programa de primaria

libro de ciencias naturales santillana descargar gratis - Feb 26 2022

web sep 4 2021 guía santillana 3 grado pdf contestada guía santillana 4 grado pdf contestada guía santillana 5 grado pdf contestada guía santillana 6 pdf contestada guía santillana 7 grado pdf contestada colombia descubre alternar menú libros

contestados como iniciar sesión e stela santillana como iniciar sesión en eva

[ciencias naturales 6 santillana](#) - Apr 11 2023

web ciencias naturales 6 método el hogar que queremos propone la biodiversidad como eje transversal en la sección especial el hogar que queremos descargar demo ver índice ver catálogo isbn 9789962017493

ciencias naturales 6 - Mar 10 2023

web ciencias naturales 6 recursos para el docente ana maría deprati et al 1a ed buenos aires santillana 2013 32 p 28x22 cm conocer isbn 978 950 46 3202 3 1 ciencias naturales 2 enseñanza primaria i deprati ana maría cdd 372 357 6 ciencias naturales

[libro ciencias naturales 6 primaria santillana pdf gratis](#) - Feb 09 2023

web libro ciencias naturales 6 primaria santillana pdf gratis esta a disposicion para consultar online o descargar libro ciencias naturales 6 primaria santillana pdf gratis para imprimir o ver online para profesores y alumnos al completo

descargar pdf ciencias naturales 6 básico santillana - Aug 03 2022

web descargar aquí te damos la bienvenida a textodelestudiante en esta entrada tendrás acceso a la descarga en pdf de ciencias naturales 6 básico santillana texto del estudiante para este año 2023 creado por el ministerio de educacion de chile o mineduc

ciencias naturales 6 santillana - Jan 08 2023

web ciencias naturales 6 serie santillana va con vos autores maría gabriela barderi ana maría deprati fabián g d'az ricardo franco celia iudica milena rosenzvit ana c e sargorodschi y paula galdeano precio 7260 comprar comprá la versión digital en tienda santillana ingresá ver índice isbn 9789504654704

libro de ciencias naturales 6 basico 2023 pdf textos - Dec 27 2021

web texto del estudiante de ciencias naturales 6 basico 2023 en pdf asignatura ciencias naturales curso 6to sexto basico editorial santillana edicion ministerio de educacion gobierno de chile mineduc valido 2023 abrir descargar mas textos del estudiante de ciencias naturales

gestionescolar cl - Jan 28 2022

web gestionescolar cl viene informando a los visitantes acerca de temas como gestion educativa liderazgo y rrhh Únase a miles de visitantes satisfechos que descubrieron curso liderazgo sistema escolar y materiais escolares este

ciencias naturales guías santillana - Jun 13 2023

web clac naturales 6 bon doc pdf documento adobe acrobat 10 4 mb descarga contiene recursos para la planificación orientaciones para abordar el desarrollo de capacidades recomendaciones para el trabajo en ciencias naturales y evaluaciones fotocopiables

fuite en Égypte des premiers blessés et réfugiés gazaouis le - Oct 13 2021

web nov 2 2023 la rupture de confiance entre les autorités et les acteurs humanitaires symbolisée par l'expulsion du coordinateur des affaires humanitaires de l'ONU en

vivre l'urgence organisations abebooks - Feb 14 2022

web dec 1 2005 vivre l'urgence dans les organisations on amazon com free shipping on qualifying offers vivre l'urgence dans les organisations

vivre l'urgence dans les organisations amazon com au books - Mar 18 2022

web vivre l'urgence dans les organisations by grec o groupe de recherches en communication des organisations and a great selection of related books art and

vivre l'urgence dans les organisations librairie eyrolles - Aug 23 2022

web achat vivre l'urgence dans les organisations à prix bas sur rakuten si vous êtes fan de lecture depuis des années découvrez sans plus tarder toutes nos offres et nos

vivre l'urgence dans les organisations 2022 vps huratips - Nov 13 2021

web nov 1 2023 des gazaouis possédant la double nationalité se dirigent vers le poste frontière de rafah dans l'espoir de pouvoir passer en Égypte reuters arafat

vivre l'urgence dans les organisations amazon fr - Oct 25 2022

web vivre l'urgence dans les organisations communication des organisation ebook carayol valérie nicole denoit stéphanie dillière brooks ghyslaine thorion collectif

vivre l'urgence dans les organisations paperback amazon com - Jan 16 2022

web oct 23 2023 Israël et l'Égypte voisine ont restreint la circulation des biens et des personnes à l'intérieur et à l'extérieur de Gaza depuis que le Hamas a pris le contrôle du

vivre l'urgence dans les organisations apple books - Jan 28 2023

web les technologies de communication sont montrées du doigt dans ce mouvement qui semble inexorable et qui affecte les organisations mais sont-elles vraiment la cause de

vivre l'urgence dans les organisations ebook valerie carayol - Jun 20 2022

web select the department you want to search in

vivre l'urgence dans les organisations amazon ca - May 20 2022

web jan 13 2006 vivre l'urgence dans les organisations valérie carayol nicole denoit stéphanie dillière brooks ghyslaine thorion collectif note moyenne donner le premier

vivre l'urgence dans les organisations - Sep 04 2023

web l urgence a de multiples visages dans les organisations que les auteurs de cet ouvrage ont entrepris d explorer pour essayer d en mesurer la complexité car les organisations

vivre l urgence dans les organisations communication des - Sep 23 2022

web l urgence est devenue une temporalité ordinaire les technologies de communication sont montrées du doigt dans ce mouvement qui semble inexorable et qui affecte les

rocher vs demol europétanque des alpes maritimes 2023 - Jul 10 2021

web laura dave media vous permet de suivre en ce moment la cérémonie du ballon d or officiel soyez les témoins de ce duel privilégié entre messi et halland

le management de l urgence dans les organisations - Oct 05 2023

web les organisations vivent au quotidien dans l urgence et veulent se penser sous le signe du projet de l anticipation de la pro activité et de la veille stratégique elles vendent de

vivre l urgence dans les organisations rakuten - Jul 22 2022

web l urgence est devenue une temporalite ordinaire les technologies de communication sont montrees du doigt dans ce mouvement qui semble inexorable et qui affecte les

guerre israël hamas à gaza de quoi les gens ont ils besoin - Dec 15 2021

web vivre l urgence dans les organisations 1 vivre l urgence dans les organisations mieux vivre avec un diabète coexister l urgence de vivre ensemble digital health

guerre israël hamas à gaza tsahal lance incursion ciblée - Aug 11 2021

web rocher vs demol europétanque des alpes maritimes 2023 à cagnes sur mer rejoignez cette chaîne pour bénéficier d avantages exclusifs

vivre l urgence dans les organisations worldcat org - Nov 25 2022

web les organisations vivent au quotidien dans l urgence et veulent se penser sous le signe du projet de l anticipation de la pro activité et de la veille stratégique elles vendent de

vivre l urgence dans les organisations groupe de recherche en - Dec 27 2022

web réunit les contributions de plusieurs séminaires du greco groupe de recherches en communication des organisations de l université de bordeaux 3 tenus à bordeaux et

vivre l urgence dans les organisations google books - Aug 03 2023

web dans un contexte où les préoccupations environnementales sont à juste titre croissantes les entreprises et les organisations en général surfent de plus en plus sur la vague

vivre l urgence dans les organisations academia edu - Apr 30 2023

web without difficulty as insight of this vivre l urgence dans les organisations can be taken as well as picked to act gestion de crise catherine piednoël 2021 11 18 manageor 3e

vivre l urgence dans les organisations request pdf - Jul 02 2023

web les organisations vivent au quotidien dans l urgence et veulent se penser sous le signe du projet de l anticipation de la pro activité et de la veille stratégique elles

vivre l urgence dans les organisations collectif cultura - Feb 26 2023

web dec 1 2005 l urgence est devenue une temporalité ordinaire les technologies de communication sont montrées du doigt dans ce mouvement qui semble inexorable et qui

vivre l urgence dans les organisations de valérie carayol decitre - Apr 18 2022

web select the department you want to search in

sport ballon d or 2023 qui sera le vainqueur laura - Jun 08 2021

vivre l urgence dans les organisations - Mar 30 2023

web les organisations vivent au quotidien dans l urgence et veulent se penser sous le signe du projet de l anticipation de la pro activité et de la veille stratégique elles vendent de

vivre l urgence dans les organisations google books - Jun 01 2023

web les organisations vivent au quotidien dans l urgence et veulent se penser sous le signe du projet de l anticipation de la pro activité et de la veille stratégique elles vendent de

burkina faso des groupes armés commettent des crimes de - Sep 11 2021

web oct 26 2023 depuis l attaque du hamas contre la population israélienne le 7 octobre qui a fait plus de 1 400 morts et plus de 200 personnes prises en otages israël mène une

congress and the american tradition open library - Jun 20 2021

book reviews congress and the american tradition by james - Jan 28 2022

web nov 17 2021 congress and the american tradition james burnham nov 17 2021 start from where you left on logging in next time skye is the limit borrow 403101

congress and the american tradition amazon com - Aug 03 2022

web nov 30 2017 burnham originally intended congress and the american tradition as a response to liberal critics of senator mccarthy s investigations of communist influence in

congress and the american tradition worldcat org - Dec 07 2022

web bir james burnham eseri olan congress and the american tradition e kitap olarak en cazip fiyat ile d r de keşfetmek için hemen tıklayınız

congress is back from summer recess here s what s on the agenda - Oct 25 2021

web congress and the american tradition james burnham design of structural elements w m c mckenzie alcoholism pelican henry walton 730 and a

congress high command will decide who will lead next govt after - Jul 22 2021

congress and the american tradition google books - Jul 14 2023

web congress and the american tradition most americans would probably be surprised to hear that in 1959 james burnham a leading political thinker questioned whether

congress and the american tradition google books - Mar 10 2023

web bibliographic information title congress and the american tradition author james burnham publisher h regnery company 1959 original from the university of california

congress and the american tradition by james - May 12 2023

web 4 83 12 ratings3 reviews most americans would probably be surprised to hear that in 1959 james burnham a leading political thinker questioned whether congress would

[congress and the american tradition amazon com tr](#) - Jun 01 2022

web regardless of how we perceive congress today more than forty years after congress and the american tradition was written burnham s questions arguments and political

congress and the american tradition amazon com - Oct 05 2022

web sep 12 2007 congress and the american tradition by james burnham september 12 2007 kessinger publishing llc edition paperback in english

congress and the american tradition james burnham - Nov 25 2021

web oct 11 2022 this is a guest post by catalina gómez curator of the palabra archive in the latin american caribbean and european division following its annual national

[james burnham congress and the american tradition pp x](#) - Dec 27 2021

web sep 3 2023 ayesha rascoe host congress is coming back to washington this week after lawmakers were home for a month long summer recess but there s a lot on

[congress and the american tradition paperback](#) - Apr 30 2022

web oct 4 2022 congress and the american tradition by james burnham 1959 henry regnery edition in english

congress and the american tradition e kitap james burnham - Nov 06 2022

web jan 1 1997 part i of congress and the american tradition provides a classic exposition of the original principles of american government part ii is a reasoned dispassionate assessment of the present position of congress part iii

congress and the american tradition 1st edition routledge - Apr 11 2023

web dec 31 1969 the american system of government analyzes the concept of government ideology and tradition power and the place and function of congress

congress and the american tradition james burnham taylor - Aug 15 2023

web oct 31 2017 the american system of government analyzes the concept of government ideology and tradition power and the place and function of congress within the american government the present position of congress explores its law making

congress and the american tradition open library - Sep 04 2022

web sep 10 2010 burnham provides a very well constructed narrative of what congress was intended to be within the american governing structure the founders clearly intended

national hispanic heritage month 2022 palabra archive - Sep 23 2021

web sep 15 2023 asked about his assertion earlier that the party would go to polls with collective leadership despite an incumbent cm in ashok gehlot pilot said that has been

congress and the american tradition open library - Feb 26 2022

web james burnham congress and the american tradition pp x 363 chi cago henry regnery company 1959 6 50

congress and the american tradition by james burnham - Feb 09 2023

web congress and the american tradition by james burnham chicago henry regnery company 1959 pp x 363 6 50 volume 53 issue 4

congress and the american tradition library of - Jan 08 2023

web additional physical format online version burnham james 1905 1987 congress and the american tradition chicago henry regnery 1965 ocolc 1126070473

congress and the american tradition james burnham - Aug 23 2021

web congress and the american tradition by james burnham 1959 h regnery co edition in english

congress and the american tradition overdrive - Jul 02 2022

web congress and the american tradition burnham james amazon com tr kitap Çerez tercihlerinizi seçin Çerez bildirimimizde ayrıntılı şekilde açıklandığı üzere alışveriş yapmanızı sağlamak alışveriş deneyiminizi iyileştirmek ve hizmetlerimizi sunmak için gerekli olan çerezleri ve benzer araçları kullanırız

congress and the american tradition perlego - Mar 30 2022

web book reviews congress and the american tradition by james burnham chicago henry regnery company 1959 pp x 363 6
50 s sidney ulmer western political quarterly 1960 13 1 207 208 download citation if you have the appropriate software
installed you can download article citation data to the citation manager of your choice

congress and the american tradition burnham james 1905 - Jun 13 2023

web congress and the american tradition by burnham james 1905 1987 publication date 1959 topics united states congress