



Bottom Freezer Refrigerators

Safety Instructions 2, 3

Operating Instructions

Features 4, 5

Controls 6-9

Dispenser 10

Autofill 11

Water Filter 12

Fresh Food Storage Options 13, 14

Climate Zone & Temperature

Controlled Drawer 15, 16

Freezer 17

Automatic Icemaker 18

Care and Cleaning 19

Replacing the Lights 20

Installation Instructions

Preparing to Install the Refrigerator 21, 22

Installing the Refrigerator 23-30

Installing the Water Line 31-33

Troubleshooting Tips 35-36

Normal Operating Sounds 34

Consumer Support

Warranty for U.S. Customers 37

State of California Water Treatment Device Certificate 38

Performance Data Sheet 39

RPWF Water Filter Cartridge Limited Warranty 40

Notes 41

Consumer Support Back Cover

Owner's Manual and Installation Instructions
 GE and GE Profile™ models

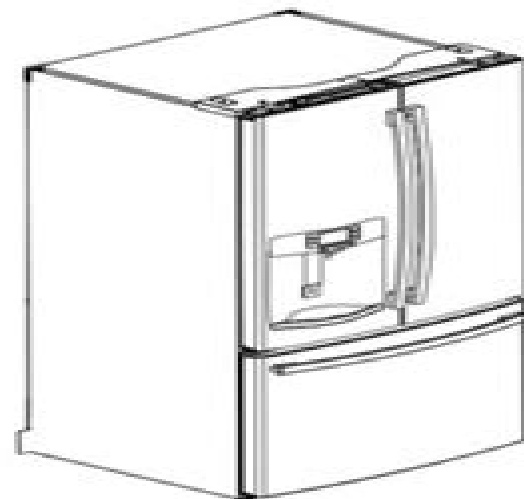
FRIDGEMANUALS.COM

Write the model and serial numbers here:

Model # _____

Serial # _____

Find these numbers on a label on the left side, near the middle of the refrigerator compartment.



Ge Gfss6kkycss Manual

M Woodhall



Ge Gfss6kkycss Manual:

Recognizing the way ways to get this ebook **Ge Gfss6kkycss Manual** is additionally useful. You have remained in right site to begin getting this info. get the Ge Gfss6kkycss Manual associate that we manage to pay for here and check out the link.

You could purchase lead Ge Gfss6kkycss Manual or get it as soon as feasible. You could quickly download this Ge Gfss6kkycss Manual after getting deal. So, later you require the ebook swiftly, you can straight get it. Its therefore no question easy and hence fats, isnt it? You have to favor to in this ventilate

https://staging.conocer.cide.edu/public/publication/HomePages/Guide_For_New_Oxford_Modern_English.pdf

Table of Contents Ge Gfss6kkycss Manual

1. Understanding the eBook Ge Gfss6kkycss Manual
 - The Rise of Digital Reading Ge Gfss6kkycss Manual
 - Advantages of eBooks Over Traditional Books
2. Identifying Ge Gfss6kkycss Manual
 - Exploring Different Genres
 - Considering Fiction vs. Non-Fiction
 - Determining Your Reading Goals
3. Choosing the Right eBook Platform
 - Popular eBook Platforms
 - Features to Look for in an Ge Gfss6kkycss Manual
 - User-Friendly Interface
4. Exploring eBook Recommendations from Ge Gfss6kkycss Manual
 - Personalized Recommendations
 - Ge Gfss6kkycss Manual User Reviews and Ratings
 - Ge Gfss6kkycss Manual and Bestseller Lists
5. Accessing Ge Gfss6kkycss Manual Free and Paid eBooks
 - Ge Gfss6kkycss Manual Public Domain eBooks

- Ge Gfss6kkycss Manual eBook Subscription Services
- Ge Gfss6kkycss Manual Budget-Friendly Options
- 6. Navigating Ge Gfss6kkycss Manual eBook Formats
 - ePub, PDF, MOBI, and More
 - Ge Gfss6kkycss Manual Compatibility with Devices
 - Ge Gfss6kkycss Manual Enhanced eBook Features
- 7. Enhancing Your Reading Experience
 - Adjustable Fonts and Text Sizes of Ge Gfss6kkycss Manual
 - Highlighting and Note-Taking Ge Gfss6kkycss Manual
 - Interactive Elements Ge Gfss6kkycss Manual
- 8. Staying Engaged with Ge Gfss6kkycss Manual
 - Joining Online Reading Communities
 - Participating in Virtual Book Clubs
 - Following Authors and Publishers Ge Gfss6kkycss Manual
- 9. Balancing eBooks and Physical Books Ge Gfss6kkycss Manual
 - Benefits of a Digital Library
 - Creating a Diverse Reading Collection Ge Gfss6kkycss Manual
- 10. Overcoming Reading Challenges
 - Dealing with Digital Eye Strain
 - Minimizing Distractions
 - Managing Screen Time
- 11. Cultivating a Reading Routine Ge Gfss6kkycss Manual
 - Setting Reading Goals Ge Gfss6kkycss Manual
 - Carving Out Dedicated Reading Time
- 12. Sourcing Reliable Information of Ge Gfss6kkycss Manual
 - Fact-Checking eBook Content of Ge Gfss6kkycss Manual
 - Distinguishing Credible Sources
- 13. Promoting Lifelong Learning
 - Utilizing eBooks for Skill Development
 - Exploring Educational eBooks

14. Embracing eBook Trends

- Integration of Multimedia Elements
- Interactive and Gamified eBooks

Ge Gfss6kkycss Manual Introduction

In today's digital age, the availability of Ge Gfss6kkycss Manual books and manuals for download has revolutionized the way we access information. Gone are the days of physically flipping through pages and carrying heavy textbooks or manuals. With just a few clicks, we can now access a wealth of knowledge from the comfort of our own homes or on the go. This article will explore the advantages of Ge Gfss6kkycss Manual books and manuals for download, along with some popular platforms that offer these resources. One of the significant advantages of Ge Gfss6kkycss Manual books and manuals for download is the cost-saving aspect. Traditional books and manuals can be costly, especially if you need to purchase several of them for educational or professional purposes. By accessing Ge Gfss6kkycss Manual versions, you eliminate the need to spend money on physical copies. This not only saves you money but also reduces the environmental impact associated with book production and transportation. Furthermore, Ge Gfss6kkycss Manual books and manuals for download are incredibly convenient. With just a computer or smartphone and an internet connection, you can access a vast library of resources on any subject imaginable. Whether you're a student looking for textbooks, a professional seeking industry-specific manuals, or someone interested in self-improvement, these digital resources provide an efficient and accessible means of acquiring knowledge. Moreover, PDF books and manuals offer a range of benefits compared to other digital formats. PDF files are designed to retain their formatting regardless of the device used to open them. This ensures that the content appears exactly as intended by the author, with no loss of formatting or missing graphics. Additionally, PDF files can be easily annotated, bookmarked, and searched for specific terms, making them highly practical for studying or referencing. When it comes to accessing Ge Gfss6kkycss Manual books and manuals, several platforms offer an extensive collection of resources. One such platform is Project Gutenberg, a nonprofit organization that provides over 60,000 free eBooks. These books are primarily in the public domain, meaning they can be freely distributed and downloaded. Project Gutenberg offers a wide range of classic literature, making it an excellent resource for literature enthusiasts. Another popular platform for Ge Gfss6kkycss Manual books and manuals is Open Library. Open Library is an initiative of the Internet Archive, a non-profit organization dedicated to digitizing cultural artifacts and making them accessible to the public. Open Library hosts millions of books, including both public domain works and contemporary titles. It also allows users to borrow digital copies of certain books for a limited period, similar to a library lending system. Additionally, many universities and educational institutions have their own digital libraries that provide free access to PDF books and manuals. These libraries often offer academic texts, research papers, and

technical manuals, making them invaluable resources for students and researchers. Some notable examples include MIT OpenCourseWare, which offers free access to course materials from the Massachusetts Institute of Technology, and the Digital Public Library of America, which provides a vast collection of digitized books and historical documents. In conclusion, Ge Gfss6kkycss Manual books and manuals for download have transformed the way we access information. They provide a cost-effective and convenient means of acquiring knowledge, offering the ability to access a vast library of resources at our fingertips. With platforms like Project Gutenberg, Open Library, and various digital libraries offered by educational institutions, we have access to an ever-expanding collection of books and manuals. Whether for educational, professional, or personal purposes, these digital resources serve as valuable tools for continuous learning and self-improvement. So why not take advantage of the vast world of Ge Gfss6kkycss Manual books and manuals for download and embark on your journey of knowledge?

FAQs About Ge Gfss6kkycss Manual Books

How do I know which eBook platform is the best for me? Finding the best eBook platform depends on your reading preferences and device compatibility. Research different platforms, read user reviews, and explore their features before making a choice. Are free eBooks of good quality? Yes, many reputable platforms offer high-quality free eBooks, including classics and public domain works. However, make sure to verify the source to ensure the eBook credibility. Can I read eBooks without an eReader? Absolutely! Most eBook platforms offer web-based readers or mobile apps that allow you to read eBooks on your computer, tablet, or smartphone. How do I avoid digital eye strain while reading eBooks? To prevent digital eye strain, take regular breaks, adjust the font size and background color, and ensure proper lighting while reading eBooks. What the advantage of interactive eBooks? Interactive eBooks incorporate multimedia elements, quizzes, and activities, enhancing the reader engagement and providing a more immersive learning experience. Ge Gfss6kkycss Manual is one of the best book in our library for free trial. We provide copy of Ge Gfss6kkycss Manual in digital format, so the resources that you find are reliable. There are also many Ebooks of related with Ge Gfss6kkycss Manual. Where to download Ge Gfss6kkycss Manual online for free? Are you looking for Ge Gfss6kkycss Manual PDF? This is definitely going to save you time and cash in something you should think about.

Find Ge Gfss6kkycss Manual :

[guide for new oxford modern english](#)

guide for 2760

[guess song quiz solution guide](#)

[guide historique des classifications du savoir enseignementencyclopediesbibliothequegraveques](#)

gt235 service manual

[guide complet samsung galaxie s](#)

guardium product manual filetype

gruszigvorschlaumlge fuumlr ansichtspostkarten german edition

gucci book bags for men cheap

guide de l habitation

[gt48 electric mobility scooter repair manual](#)

guide booklet for diabetes

[guide cylinder head mercedes 906](#)

guess the character answers

guide guide parentalk parentalk toddler years

Ge Gfss6kkycss Manual :

[notes white classic marbel notebook with golden title perfect](#) - Aug 01 2023

web notes white classic marbel notebook with golden title perfect for every occasion christmas birthday anniversary

notebooks wj on amazon com au free shipping on eligible orders notes white classic marbel notebook with golden title perfect for every occasion christmas birthday anniversary

notes white classic marbel notebook with golden title perfect - Apr 28 2023

web notes white classic marbel notebook with golden title perfect for every occasion christmas birthday anniversary amazon in books

notes white classic marbel notebook with golden t copy - Mar 16 2022

web may 29 2023 notes white classic marbel notebook with golden t 2 16 downloaded from uniport edu ng on may 29 2023

by guest in size it has a sturdy glossy cover for a beautiful look and feel it makes a great back to school christmas gift or holiday graduation beginning of the school year gift for women and girls for a motivational and

notes white classic marbel notebook with golden t download - Sep 21 2022

web those all we meet the expense of notes white classic marbel notebook with golden t and numerous ebook collections from fictions to scientific research in any way in the course of them is this notes white classic marbel notebook with golden t

that can be your partner notes white classic marbel notebook with golden t 2021 12 10

the golden notebook themes structure styles academia edu - Apr 16 2022

web the golden notebook is a 1962 novel by doris lessing its structure is a study in nonlinearity as well as an important theme reflecting fragmentation of self and society

the golden notebook single by nefertiti babs spotify - May 18 2022

web listen to the golden notebook on spotify nefertiti babs single 2014 4 songs nefertiti babs single 2014 4 songs sign up log in home search your library create your first playlist it s easy we ll help you create playlist let s find some podcasts to follow we ll keep you updated on new episodes

notes white classic marbel notebook with golden t uniport edu - Aug 21 2022

web sep 26 2023 notes white classic marbel notebook with golden t and numerous ebook collections from fictions to scientific research in any way in the midst of them is this notes white classic marbel notebook with golden t that can be your partner dotted grid journal marble and gold dotted grid journal 2019 07 27 this bullet notebook and dotted

notes white classic marbel notebook with golden t uniport edu - Feb 24 2023

web may 27 2023 notes white classic marbel notebook with golden t 2 8 downloaded from uniport edu ng on may 27 2023 by guest notebook blush marble notebooks 2019 10 28 cute marble and rose gold notebook featurerthis notebook and journal has high quality paper and a gorgeous hand designed classic white or black or pastel hue

classic notebook simple notebook and great by gamal art - Jun 18 2022

web this is a simple notebook traditional moroccan drawing simple and elegant 120 pages 6 9 inches in size

notes white classic marbel notebook with golden title perfect - Sep 02 2023

web notes white classic marbel notebook with golden title perfect for every occasion christmas birthday anniversary notebooks wj amazon co uk books

notes white classic marbel notebook with golden t copy - Dec 25 2022

web mar 31 2023 download and install the notes white classic marbel notebook with golden t it is unquestionably easy then since currently we extend the associate to buy and make bargains to download and install notes white

notes white classic marbel notebook with golden t pdf - May 30 2023

web notes white classic marbel notebook with golden t graph paper composition notebook aug 03 2020 classic elegant functional this is a simple and durable multi purpose premium daily notebook it is perfect for sketching writing notes capturing thoughts creative writing school notes list making journaling and much more

notes white classic marbel notebook with golden title perfect - Oct 03 2023

web find many great new used options and get the best deals for notes white classic marbel notebook with golden title

perfect for every occasion christmas birthday anniversary by wj notebooks 2019 trade paperback at the best online prices at ebay free shipping for many products

[notes white classic marbel notebook with golden title perfect](#) - Jun 30 2023

web nov 3 2019 notes white classic marbel notebook with golden title perfect for every occasion christmas birthday anniversary notebooks wj on amazon com free shipping on qualifying offers notes white classic marbel notebook with golden title perfect for every occasion christmas birthday anniversary

[marble machine by wintergatan piano letter notes](#) - Oct 23 2022

web oct 2 2018 learn how to play marble machine by wintergatan with easy piano letter notes sheet music for beginners suitable to play on piano keyboard flute guitar cello violin clarinet trumpet saxophone viola and any other similar instruments you need easy letters notes chords for

notes white classic marbel notebook with golden t edward - Mar 28 2023

web enjoy now is notes white classic marbel notebook with golden t below the white album joan didion 2017 05 09 new york times bestseller an elegant mosaic of trenchant observations on the late sixties and seventies from the author of slouching towards bethlehem the new yorker in this landmark essay collection joan didion

notes white classic marbel notebook with golden t 2022 - Feb 12 2022

web love the marble notebook because this classic lined notebook has a cool marble cover you ll be inspired and focused each time you use it buy now enjoy a cool marble cover plenty of space for taking notes college ruled pages increase creativity memory and intelligence studies show writing by hand boosts creativity memory and

notes white classic marbel notebook with golden t pdf - Jan 26 2023

web jul 19 2023 kindly say the notes white classic marbel notebook with golden t is universally compatible with any devices to read notebook shady grove shady grove notebooks 2018 07 21 marble gold lined notebook this stylish and elegant notebook and writing journal has 150 college ruled pages measuring 8 5 x 11 in size it

notes white classic marbel notebook with golden t 2013 - Nov 23 2022

web this classic lined notebook has a cool marble cover you ll be inspired and focused each time you use it buy now enjoy a cool marble cover plenty of space for taking notes college ruled pages

[notes white classic marbel notebook with golden t pdf jda](#) - Jul 20 2022

web we have the funds for notes white classic marbel notebook with golden t and numerous book collections from fictions to scientific research in any way along with them is this notes white classic marbel notebook with golden t that can be your partner notes white classic marbel notebook with golden t 2019 07 15 giovanna jocelyn

leaf storm kindle edition by marquez gabriel garcia literature - Jan 31 2023

web nobel laureate gabriel garcía márquez author of the one hundred years of solitude and love in the time of cholera portrays a food company violating a small colombia town in

leaf storm and other stories garcía márquez gabriel 1928 - Sep 26 2022

web apr 11 2014 suddenly as if a whirlwind had set down roots in the center of the town the banana company arrived pursued by the leaf storm a blizzard of slums descends on

leaf storm summary supersummary - Jul 05 2023

web leaf storm and other stories by garci a ma rquez gabriel 1927 2014 publication date 1972 topics garci a ma rquez gabriel 1927 2014 translations into english garci a ma rquez

leaf storm by gabriel garcía márquez goodreads - Aug 06 2023

web leaf storm by gabriel garcia marquez is a story that focuses on macondo a little town that is characterized by emerging businesses and a growing population the novel is

leaf storm and other stories perennial classics amazon com - Oct 28 2022

web nov 30 2021 audio cd mp3 audio november 30 2021 leaf storm is the first book garcía márquez wrote already we see the colorful historical background that forms the

leaf storm new york university - Apr 02 2023

web mar 6 2014 nobel laureate gabriel garcia marquez author of the one hundred years of solitude and love in the time of cholera portrays a food company violating a small

leaf storm gabriel garcía márquez 9780241968765 - Jun 23 2022

web mar 6 2014 synopsis author nobel laureate gabriel garcía márquez author of the one hundred years of solitude and love in the time of cholera portrays a food company

leaf storm wikipedia - Oct 08 2023

web 3 65 12 593 ratings911 reviews drenched by rain the town has been decaying ever since the banana company left its people are sullen and bitter so when the doctor a

analysis of gabriel garcía márquez s leaf storm - Sep 07 2023

web in gabriel garcía márquez s novella leaf storm 1955 a family must give the most hated man in their village an honorable funeral to honor a promise made many years ago

leaf storm by gabriel garcia marquez penguin books australia - Jul 25 2022

web leaf storm isn t a conventionally plotted novella instead it s more of a dreamy and dreamlike character study of three people and their reactions to the suicide or possible

leaf storm garcia marquez gabriel ramirez marisol ramos - Aug 26 2022

web leaf storm nobel laureate gabriel garcia marquez author of the one hundred years of solitude and love in the time of cholera portrays a food company violating a small

leaf storm satın al İstanbul kitapçısı - Jan 19 2022

the autumn of patriarch gabriel garci a marquez download - Dec 18 2021

leaf storm gabriel garcia marquez google books - Dec 30 2022

web feb 1 2005 strange things happen in the land of má rquez as with emerson poe hawthorne every sentence breaks the silence of a vast emptiness the famous new

leaf storm by gabriel garcia marquez waterstones - Mar 21 2022

web leaf storm the autumn of the patriarch representation transculturation counterconquest and other stories collected novellas a novel gabriel garcia marquez the last

leaf storm summary enotes com - Jun 04 2023

web leaf storm garcia marquez gabriel primary category literature fiction genre short story annotated by fefferman stanley catastrophe childbirth death and dying

leaf storm gabriel garcía márquez google books - Mar 01 2023

web leaf storm gabriel garcia marquez harper collins 1979 fiction 146 pages a collection of seven short stories written between 1957 and 1968 other editions view all about

leaf storm penguin books uk - Nov 28 2022

web language english bard books leaf storm the handsomest drowned man in the world a very old man with enormous wings blacamán the good vendor of miracles the

amazon com leaf storm and other stories 9780809590537 - Feb 17 2022

web love in the time of cholera a poignant meditation on the nature of desire and the enduring power of love gabriel garcia marquez s love in the time of cholera is

leaf storm and other stories garcía márquez gabriel 1927 - May 03 2023

web penguin books 2014 macondo imaginary place 128 pages nobel laureate gabriel garcía márquez author of the one hundred years of solitude and love in the time of

love in the time of cholera satın al İstanbul kitapçısı - Nov 16 2021

leaf storm satın al İstanbul kitapçısı - May 23 2022

web leaf storm is short and covers only 30 minutes in the lives of three protagonists a young boy his mother and his grandfather as they each separately prepare for the funeral of

leaf storm garcia marquez gabriel ramirez marisol ramos - Apr 21 2022

web leaf storm nobel laureate gabriel garcia marquez author of the one hundred years of solitude and love in the time of cholera portrays a food company violating a small

[mitsubishi lancer user s manuals manuals mitsubishi](#) - Mar 03 2023

web feb 15 2015 download manual download 2010 mitsubishi lancer sportback owner s manual posted on 15 feb 2015 by nomugs model 2010 mitsubishi lancer

2010 mitsubishi lancer sportback user manuals guides - Feb 19 2022

web 2010 mitsubishi lancer sportback service manual typical table of contents vehicle specific information maintenance wiring diagrams body repairs wheels and tyres

mitsubishi lancer sportback 2010 8 g owners manual - Sep 28 2022

web view print and download for free mitsubishi lancer sportback 2010 8 g owners manual 658 pages pdf size 20 68 mb carmanualsonline info is the largest online

mitsubishi lancer 2010 8 g owners manual 670 pages - Mar 23 2022

web to jump start your car make sure the booster vehicle is off connect the positive red cable to the positive terminals of both batteries attach the negative black cable to the booster

[2010 mitsubishi lancer sportback owner s manual 658 pages](#) - Jun 06 2023

web we have 1 mitsubishi lancer sportback manual available for free pdf download owner s manual mitsubishi lancer sportback owner s manual 433 pages brand

mitsubishi lancer sportback 2010 user manual english 658 - Aug 08 2023

web feb 15 2015 2010 mitsubishi lancer sportback owner s manual 658 pages posted on 15 feb 2015 by nomugs model 2010 mitsubishi lancer sportback file size 21

user manual mitsubishi lancer sportback 2011 english 706 - Jan 21 2022

web view the mitsubishi lancer sportback 2010 manual for free or ask your question to other mitsubishi lancer sportback 2010 owners usermanuals au mitsubishi

mitsubishi lancer sportback 2010 manual manualscat com - Jun 25 2022

web mitsubishi lancer v users manuals english 20 7 mb 10gs44s nafta cover2 fm 1 □□□ 2009□3□31□ □□□ □□3□12□ introduction throughout this manual the

2010 mitsubishi lancer owner s manual pdf 670 - Jul 07 2023

web 2010 mitsubishi lancer sportback pdf owner s manuals in english owner s manual 658 pages mitsubishi lancer sportback models 2014 mitsubishi lancer sportback

[user manual mitsubishi lancer sportback 2010 english 658](#) - Oct 10 2023

web below you will find the product specifications and the manual specifications of the mitsubishi lancer sportback 2010 the mitsubishi lancer sportback is a compact

2010 mitsubishi lancer sportback owner s manual - Oct 30 2022

web view print and download for free mitsubishi lancer sportback 2010 8 g owners manual 658 pages pdf size 20 68 mb search in mitsubishi lancer

2010 mitsubishi lancer sportback pdf owner s manuals - May 05 2023

web 2011 lancer service manual espanol pdf user s manuals 15 5 mb spanish 585 lancer v 2010 2010 lancer sportback users manual pdf user s manuals 20 7 mb english 658

mitsubishi lancer sportback 2010 8 g owners manual - Jul 27 2022

web view mitsubishi lancer sportback manuals online for free carmanualsonline info is the largest free online database of mitsubishi owner s manuals and mitsubishi

[mitsubishi lancer sportback manuals manualslib](#) - Apr 04 2023

web 2010 mitsubishi lancer sportback pdf owner s manuals in english owner s manual 658 pages mmcs manual 161 pages mitsubishi lancer sportback models 2014

[mitsubishi lancer sportback 2010 owner s manual](#) - Nov 30 2022

web view print and download for free mitsubishi lancer sportback 2010 8 g owners manual 658 pages pdf size 20 68 mb search in mitsubishi lancer

2010 lancer sportback users manual pdf 20 7 mb user s - Apr 23 2022

web browse 2010 mitsubishi lancer sportback owner s manuals user guides instructional help documents operating information to learn more about your product search fixya

mitsubishi lancer sportback owner s - Sep 09 2023

web view the mitsubishi lancer sportback 2010 manual for free or ask your question to other mitsubishi lancer sportback 2010 owners manuals co uk manuals co uk

2010 mitsubishi lancer sportback manuals - Feb 02 2023

web mitsubishi lancer sportback 2010 owner s manual introduction n09200100732 thank you for buying a mitsubishi lancer sportback we are confident you will enjoy

[mitsubishi lancer sportback 2010 8 g owners manual](#) - Aug 28 2022

web user manual for the mitsubishi lancer sportback 2010 in english this pdf manual has 658 pages
2010 mitsubishi lancer sportback repair manual factory manuals - Dec 20 2021

download 2010 mitsubishi lancer sportback owner s manual - Jan 01 2023

web 2010 mitsubishi lancer sportback owner s manual posted on 9 apr 2015 model 2010 mitsubishi lancer sportback pages
658 file size 21 mb download manual manual

user manual mitsubishi lancer sportback 2010 english 658 - Nov 18 2021

2010 mitsubishi lancer sportback 8 g owner s and - May 25 2022

web view print and download for free mitsubishi lancer 2010 8 g owners manual 670 pages pdf size 25 18 mb search in
mitsubishi lancer 2010 8 g owners