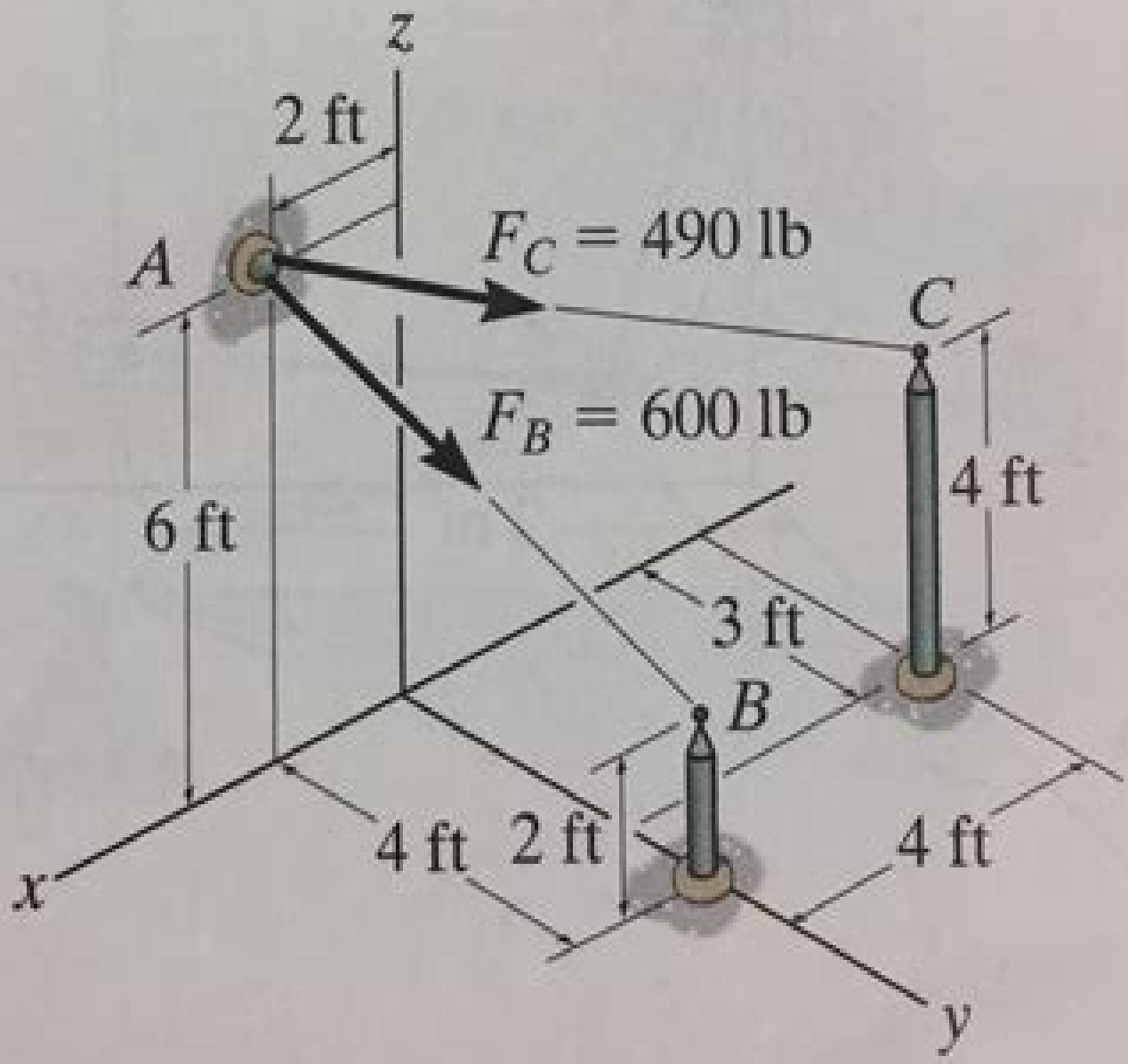


F2-24. Determine the resultant force at A.



Engineering Mechanics Statics 13th Edition Solutions Chegg

J. L. Meriam



Engineering Mechanics Statics 13th Edition Solutions Chegg:

Statics and Strength of Materials Fa-Hwa Cheng,1985 **Statics and Mechanics of Materials** Ferdinand Pierre Beer,E. Russell Johnston,John T. DeWolf,David F. Mazurek,2017 *Statics and Mechanics of Materials* Ferdinand Pierre Beer,1992 **Statics and Mechanics of Materials** Ferdinand Pierre Beer,Elwood Russell Johnston,John T. DeWolf,David Francis Mazurek,2021 **Mechanics for Engineers** ,1985 **Loose Leaf for Statics and Mechanics of Materials** David Mazurek,Ferdinand Beer,Jr. Johnston, E. Russell,John DeWolf,2016-03-25 **Solutions Manual, Engineering Mechanics** R. C. Hibbeler,1998 **Statics and Strength of Materials** Fa-Hwa Cheng, Dr.,1996-09-16 The new edition of this easy to understand text designed for a non calculus course in statics and strength of materials requires only a working knowledge of algebra geometry and trigonometry In addition to expanded coverage and better organization of information it addresses new topics such as accuracy and precision solution of simultaneous equations rolling resistance mechanical properties of materials composite beams reinforced concrete beams plastic analysis of beams design of shear connectors and more Engineering Mechanics, Statics and Dynamics Bela Imre Sandor,Karen J. Richter,1983 *Instructor's Solutions Manual for Engineering Mechanics: Statics* Andrew Pytel,Jaan Kiusalaas,1999 Engineering Mechanics R. C. Hibbeler,1978 Applied Statics and Strength of Materials Thomas Burns,2010 APPLIED STATICS AND STRENGTH OF MATERIALS 2nd Edition provides engineering and construction technology readers with a strategy for successful learning of basic structural behavior and design The book is written at a fundamental level while providing robust detail on problem solving methods on a variety of recognizable structures systems and machines Topics covered include easy to understand discussion on equilibrium trusses frames centroids moment of inertia direct stress combined stress beam mechanics and much more The book also includes extensive coverage on the design of beams columns and connections which include the latest design specifications using steel concrete and wood More than 175 fully worked examples and 500 exercise problems offer thorough and comprehensive reinforcement of the material using recognizable structural and mechanical elements which connect the readers to the real world **Instructor's Solutions Manual** R. C. Hibbeler,2007 **Statics and Strength of Materials, [ECH Master].** Fa-Hwa Cheng,2006 Online Solutions Manual for Engineering Mechanics J. L. Meriam,2003-03-27 A modern text for use in today s classroom The revision of this classic text continues to provide the same high quality material seen in previous editions In addition the fifth edition provides extensively rewritten updated prose for content clarity superb new problems outstanding instruction on drawing free body diagrams and new electronic supplements to assist learning and instruction If you think you have seen Meriam Kraige before take another look it s not what you remember it to be it s better Solutions Manual Russell C. Hibbeler,2003-12 Statics (Solutions Manual) James L. Meriam,1971-09-17

Decoding **Engineering Mechanics Statics 13th Edition Solutions Chegg**: Revealing the Captivating Potential of Verbal Expression

In an era characterized by interconnectedness and an insatiable thirst for knowledge, the captivating potential of verbal expression has emerged as a formidable force. Its capability to evoke sentiments, stimulate introspection, and incite profound transformations is genuinely awe-inspiring. Within the pages of "**Engineering Mechanics Statics 13th Edition Solutions Chegg**," a mesmerizing literary creation penned by way of a celebrated wordsmith, readers set about an enlightening odyssey, unraveling the intricate significance of language and its enduring affect our lives. In this appraisal, we shall explore the book is central themes, evaluate its distinctive writing style, and gauge its pervasive influence on the hearts and minds of its readership.

<https://staging.conocer.cide.edu/results/browse/HomePages/fieldings%20moral%20psychology.pdf>

Table of Contents Engineering Mechanics Statics 13th Edition Solutions Chegg

1. Understanding the eBook Engineering Mechanics Statics 13th Edition Solutions Chegg
 - The Rise of Digital Reading Engineering Mechanics Statics 13th Edition Solutions Chegg
 - Advantages of eBooks Over Traditional Books
2. Identifying Engineering Mechanics Statics 13th Edition Solutions Chegg
 - Exploring Different Genres
 - Considering Fiction vs. Non-Fiction
 - Determining Your Reading Goals
3. Choosing the Right eBook Platform
 - Popular eBook Platforms
 - Features to Look for in an Engineering Mechanics Statics 13th Edition Solutions Chegg
 - User-Friendly Interface
4. Exploring eBook Recommendations from Engineering Mechanics Statics 13th Edition Solutions Chegg
 - Personalized Recommendations

- Engineering Mechanics Statics 13th Edition Solutions Chegg User Reviews and Ratings
- Engineering Mechanics Statics 13th Edition Solutions Chegg and Bestseller Lists
- 5. Accessing Engineering Mechanics Statics 13th Edition Solutions Chegg Free and Paid eBooks
 - Engineering Mechanics Statics 13th Edition Solutions Chegg Public Domain eBooks
 - Engineering Mechanics Statics 13th Edition Solutions Chegg eBook Subscription Services
 - Engineering Mechanics Statics 13th Edition Solutions Chegg Budget-Friendly Options
- 6. Navigating Engineering Mechanics Statics 13th Edition Solutions Chegg eBook Formats
 - ePub, PDF, MOBI, and More
 - Engineering Mechanics Statics 13th Edition Solutions Chegg Compatibility with Devices
 - Engineering Mechanics Statics 13th Edition Solutions Chegg Enhanced eBook Features
- 7. Enhancing Your Reading Experience
 - Adjustable Fonts and Text Sizes of Engineering Mechanics Statics 13th Edition Solutions Chegg
 - Highlighting and Note-Taking Engineering Mechanics Statics 13th Edition Solutions Chegg
 - Interactive Elements Engineering Mechanics Statics 13th Edition Solutions Chegg
- 8. Staying Engaged with Engineering Mechanics Statics 13th Edition Solutions Chegg
 - Joining Online Reading Communities
 - Participating in Virtual Book Clubs
 - Following Authors and Publishers Engineering Mechanics Statics 13th Edition Solutions Chegg
- 9. Balancing eBooks and Physical Books Engineering Mechanics Statics 13th Edition Solutions Chegg
 - Benefits of a Digital Library
 - Creating a Diverse Reading Collection Engineering Mechanics Statics 13th Edition Solutions Chegg
- 10. Overcoming Reading Challenges
 - Dealing with Digital Eye Strain
 - Minimizing Distractions
 - Managing Screen Time
- 11. Cultivating a Reading Routine Engineering Mechanics Statics 13th Edition Solutions Chegg
 - Setting Reading Goals Engineering Mechanics Statics 13th Edition Solutions Chegg
 - Carving Out Dedicated Reading Time
- 12. Sourcing Reliable Information of Engineering Mechanics Statics 13th Edition Solutions Chegg
 - Fact-Checking eBook Content of Engineering Mechanics Statics 13th Edition Solutions Chegg

- Distinguishing Credible Sources
- 13. Promoting Lifelong Learning
 - Utilizing eBooks for Skill Development
 - Exploring Educational eBooks
- 14. Embracing eBook Trends
 - Integration of Multimedia Elements
 - Interactive and Gamified eBooks

Engineering Mechanics Statics 13th Edition Solutions Chegg Introduction

Free PDF Books and Manuals for Download: Unlocking Knowledge at Your Fingertips In today's fast-paced digital age, obtaining valuable knowledge has become easier than ever. Thanks to the internet, a vast array of books and manuals are now available for free download in PDF format. Whether you are a student, professional, or simply an avid reader, this treasure trove of downloadable resources offers a wealth of information, conveniently accessible anytime, anywhere. The advent of online libraries and platforms dedicated to sharing knowledge has revolutionized the way we consume information. No longer confined to physical libraries or bookstores, readers can now access an extensive collection of digital books and manuals with just a few clicks. These resources, available in PDF, Microsoft Word, and PowerPoint formats, cater to a wide range of interests, including literature, technology, science, history, and much more. One notable platform where you can explore and download free Engineering Mechanics Statics 13th Edition Solutions Chegg PDF books and manuals is the internet's largest free library. Hosted online, this catalog compiles a vast assortment of documents, making it a veritable goldmine of knowledge. With its easy-to-use website interface and customizable PDF generator, this platform offers a user-friendly experience, allowing individuals to effortlessly navigate and access the information they seek. The availability of free PDF books and manuals on this platform demonstrates its commitment to democratizing education and empowering individuals with the tools needed to succeed in their chosen fields. It allows anyone, regardless of their background or financial limitations, to expand their horizons and gain insights from experts in various disciplines. One of the most significant advantages of downloading PDF books and manuals lies in their portability. Unlike physical copies, digital books can be stored and carried on a single device, such as a tablet or smartphone, saving valuable space and weight. This convenience makes it possible for readers to have their entire library at their fingertips, whether they are commuting, traveling, or simply enjoying a lazy afternoon at home. Additionally, digital files are easily searchable, enabling readers to locate specific information within seconds. With a few keystrokes, users can search for keywords, topics, or phrases, making research and finding relevant information a breeze. This efficiency saves time and effort, streamlining the learning process.

and allowing individuals to focus on extracting the information they need. Furthermore, the availability of free PDF books and manuals fosters a culture of continuous learning. By removing financial barriers, more people can access educational resources and pursue lifelong learning, contributing to personal growth and professional development. This democratization of knowledge promotes intellectual curiosity and empowers individuals to become lifelong learners, promoting progress and innovation in various fields. It is worth noting that while accessing free Engineering Mechanics Statics 13th Edition Solutions Chegg PDF books and manuals is convenient and cost-effective, it is vital to respect copyright laws and intellectual property rights. Platforms offering free downloads often operate within legal boundaries, ensuring that the materials they provide are either in the public domain or authorized for distribution. By adhering to copyright laws, users can enjoy the benefits of free access to knowledge while supporting the authors and publishers who make these resources available. In conclusion, the availability of Engineering Mechanics Statics 13th Edition Solutions Chegg free PDF books and manuals for download has revolutionized the way we access and consume knowledge. With just a few clicks, individuals can explore a vast collection of resources across different disciplines, all free of charge. This accessibility empowers individuals to become lifelong learners, contributing to personal growth, professional development, and the advancement of society as a whole. So why not unlock a world of knowledge today? Start exploring the vast sea of free PDF books and manuals waiting to be discovered right at your fingertips.

FAQs About Engineering Mechanics Statics 13th Edition Solutions Chegg Books

1. Where can I buy Engineering Mechanics Statics 13th Edition Solutions Chegg books? Bookstores: Physical bookstores like Barnes & Noble, Waterstones, and independent local stores. Online Retailers: Amazon, Book Depository, and various online bookstores offer a wide range of books in physical and digital formats.
2. What are the different book formats available? Hardcover: Sturdy and durable, usually more expensive. Paperback: Cheaper, lighter, and more portable than hardcovers. E-books: Digital books available for e-readers like Kindle or software like Apple Books, Kindle, and Google Play Books.
3. How do I choose a Engineering Mechanics Statics 13th Edition Solutions Chegg book to read? Genres: Consider the genre you enjoy (fiction, non-fiction, mystery, sci-fi, etc.). Recommendations: Ask friends, join book clubs, or explore online reviews and recommendations. Author: If you like a particular author, you might enjoy more of their work.
4. How do I take care of Engineering Mechanics Statics 13th Edition Solutions Chegg books? Storage: Keep them away from direct sunlight and in a dry environment. Handling: Avoid folding pages, use bookmarks, and handle them with

- clean hands. Cleaning: Gently dust the covers and pages occasionally.
5. Can I borrow books without buying them? Public Libraries: Local libraries offer a wide range of books for borrowing. Book Swaps: Community book exchanges or online platforms where people exchange books.
 6. How can I track my reading progress or manage my book collection? Book Tracking Apps: Goodreads, LibraryThing, and Book Catalogue are popular apps for tracking your reading progress and managing book collections. Spreadsheets: You can create your own spreadsheet to track books read, ratings, and other details.
 7. What are Engineering Mechanics Statics 13th Edition Solutions Chegg audiobooks, and where can I find them? Audiobooks: Audio recordings of books, perfect for listening while commuting or multitasking. Platforms: Audible, LibriVox, and Google Play Books offer a wide selection of audiobooks.
 8. How do I support authors or the book industry? Buy Books: Purchase books from authors or independent bookstores. Reviews: Leave reviews on platforms like Goodreads or Amazon. Promotion: Share your favorite books on social media or recommend them to friends.
 9. Are there book clubs or reading communities I can join? Local Clubs: Check for local book clubs in libraries or community centers. Online Communities: Platforms like Goodreads have virtual book clubs and discussion groups.
 10. Can I read Engineering Mechanics Statics 13th Edition Solutions Chegg books for free? Public Domain Books: Many classic books are available for free as they're in the public domain. Free E-books: Some websites offer free e-books legally, like Project Gutenberg or Open Library.

Find Engineering Mechanics Statics 13th Edition Solutions Chegg :

fieldings moral psychology

field stones

fifty nature walks in southern illinois illinois

fetal wound healing

fifty years of good reading university of texas press 1950-2000. three volume set.

fifty years of appaloosa history

fifties furniture

fifth son a novel

fields of praise the official history of the welsh rugby union 1881-1981

fifteen decisive battles of the world

fifty graded pieces for piano i.

fighting for canada

fifty & the great race p ov b its great to read

fighting divisions

fight for the forest chico mendes in his own words

Engineering Mechanics Statics 13th Edition Solutions Chegg :

Singer Machine Manuals Find the Manual for your Sewing Machine, Embroidery Machine, Serger/Overlock, Quilting Machine, and More. Singer 2818 Manuals Manuals and User Guides for Singer 2818. We have 4 Singer 2818 manuals available for free PDF download: Service Manual, Manual, Instruction Book · English. 6. Support Printed manuals are no longer available. For easy access, please enter your model number to view and download your manual. Don't know your model number? Singer 2818 Instruction Manual We've got you covered! This instruction manual is the ultimate guide to unlock the full potential of your Singer 2818. No more confusion or frustration—just ... SINGER® Instruction Manuals for Sewing Machines and ... Find comprehensive instruction manuals for SINGER® range of new & old sewing machines, appliances & accessories. Get the guidance you need for seamless ... Singer Sewing Machine Manuals Singer's Sewing Skills Reference Book (28 MB); Singer's Reference Book for Sewing Skills. Information on your machine, its attachments, and how to use them. Singer 2802 2808 2818 Instruction Manuals or Service & ... Service manual and Parts / Schematics for Singer 2852, 2858, 2868. 2 PDF files: HIGHEST QUALITY CLEAR COPIES of original Singer Service / Repair manual (114 ... Over 350 Free Industrial Sewing Machine Manuals Over 350 Free Industrial Sewing Machine Manuals. Link to Singer domestic machine instruction books - FREE downloads User manual Singer SIMPLE (English - 62 pages) Manual. View the manual for the Singer SIMPLE here, for free. This manual comes under the category sewing machines and has been rated by 30 people with an ... HOW TO DOWNLOAD FREE SINGER SEWING MACHINE ... Repair Manuals & Guides For Oldsmobile Alero 1999 - 2003 Get the expertise you need to maintain your vehicle. Shop our comprehensive Repair Manuals & Guides For Oldsmobile Alero 1999 - 2003 at Haynes. Repair Manuals & Literature for Oldsmobile Alero - eBay Get the best deals on Repair Manuals & Literature for Oldsmobile Alero when you shop the largest online selection at eBay.com. Free shipping on many items ... 2000 Oldsmobile Alero Repair Manual - Vehicle Equip cars, trucks & SUVs with 2000 Oldsmobile Alero Repair Manual - Vehicle from AutoZone. Get Yours Today! We have the best products at the right price. Service & Repair Manuals for Oldsmobile Alero - eBay Get the best deals on Service & Repair Manuals for Oldsmobile Alero when you shop the largest online selection at eBay.com. Free shipping on many items ... Oldsmobile Alero Repair Manual - Vehicle Order Oldsmobile Alero Repair Manual - Vehicle online today. Free Same Day Store Pickup. Check out free battery charging and engine ... 2000

Oldsmobile Alero UNIT REPAIR MANUAL. This manual provides information on unit repair service procedures, adjustments and specifications for the. 2000 GM transmissions ... Oldsmobile Alero Repair Manual Online Your online Oldsmobile Alero repair manual lets you do the job yourself and save a ton of money. No more eye-popping bills at the repair shop! Your manual pays ... 2000 Oldsmobile Alero - Repair Manual Haynes Publications 38026 Repair Manual for 2000 Oldsmobile Alero ; Brand: Haynes Publications ; Part Number: 38026 ; UPC: 038345380266 ; Weight: 1.1 lbs ; Condition ... Haynes Repair Manual for 1999-2003 Oldsmobile Alero Haynes Repair Service Manual. Complete coverage for your 2003 2002 2001 2000 1999 Oldsmobile Alero including routine maintenance, tune-up procedures, engine ... 2000 Oldsmobile Alero Service Repair Manual May 8, 2023 — Read 2000 Oldsmobile Alero Service Repair Manual by kmd9iitdgnmv on Issuu and browse thousands of other publications on our platform. Talisman Magic: Yantra Squares for... by Webster, Richard This is a little book with a simple and easy to use system of divination and spell work. You can pick it up and within minutes you will be doing divinatory ... Talisman Magic Yantra Squares Tantric by Webster Richard Talisman Magic: Yantra Squares for Tantric Divination (Llewellyns Practical Magick Series) by Webster, Richard and a great selection of related books, ... Talisman Magic: Yantra Squares for... book by Richard ... Derived from a 4,000-year-old numerological system based on square numbered grids, Yantra is used for divination, amulets and practical magic. Now you can ... Talisman Magic: Yantra Squares for Tantric Divination ... Yantra is the new divinatory frontier that has just hit the western world with its simplicity and logic. Derived from a 4,000-year-old numerological system ... Talisman Magic: Yantra Squares for Tantric Divination ... Talisman Magic: Yantra Squares for Tantric Divination (Llewellyn's Practical Magick Series) by Webster, Richard - ISBN 10: 156718801X - ISBN 13: ... Holdings: Talisman magic : yantra squares for tantric divination ... Talisman magic : yantra squares for tantric divination / Richard Webster. ; Book · English · St. Paul, Minn., U.S.A. : Llewellyn Publications, 1995. · First edition ... Talisman Magic: Yantra Squares for Tantric Divination Derived from a 4,000-year-old numerological system based on square numbered grids, Yantra is used for divination, amulets and practical magic. Now you can ... Yantra Squares for Tantric Divination by Richard Webster: Used ... Talisman Magic: Yantra Squares for Tantric Divination by Richard Webster: Used ; Publication Date. 1995-10-08 ; Pages. 208 ; Accurate description. 4.9 ; Reasonable ... Yantra Squares for Tantric Divination by Webster, Richard We have 4 copies of Talisman Magic: Yantra Squares for Tantric Divination for sale starting from \$13.28. YANTRA SQUARES FOR TANTRIC DIVINATION By Richard ... TALISMAN MAGIC: YANTRA SQUARES FOR TANTRIC DIVINATION By Richard Webster *VG+* ; Condition. Very Good ; Quantity. 1 available ; Item Number. 186117880276 ; ISBN-10.