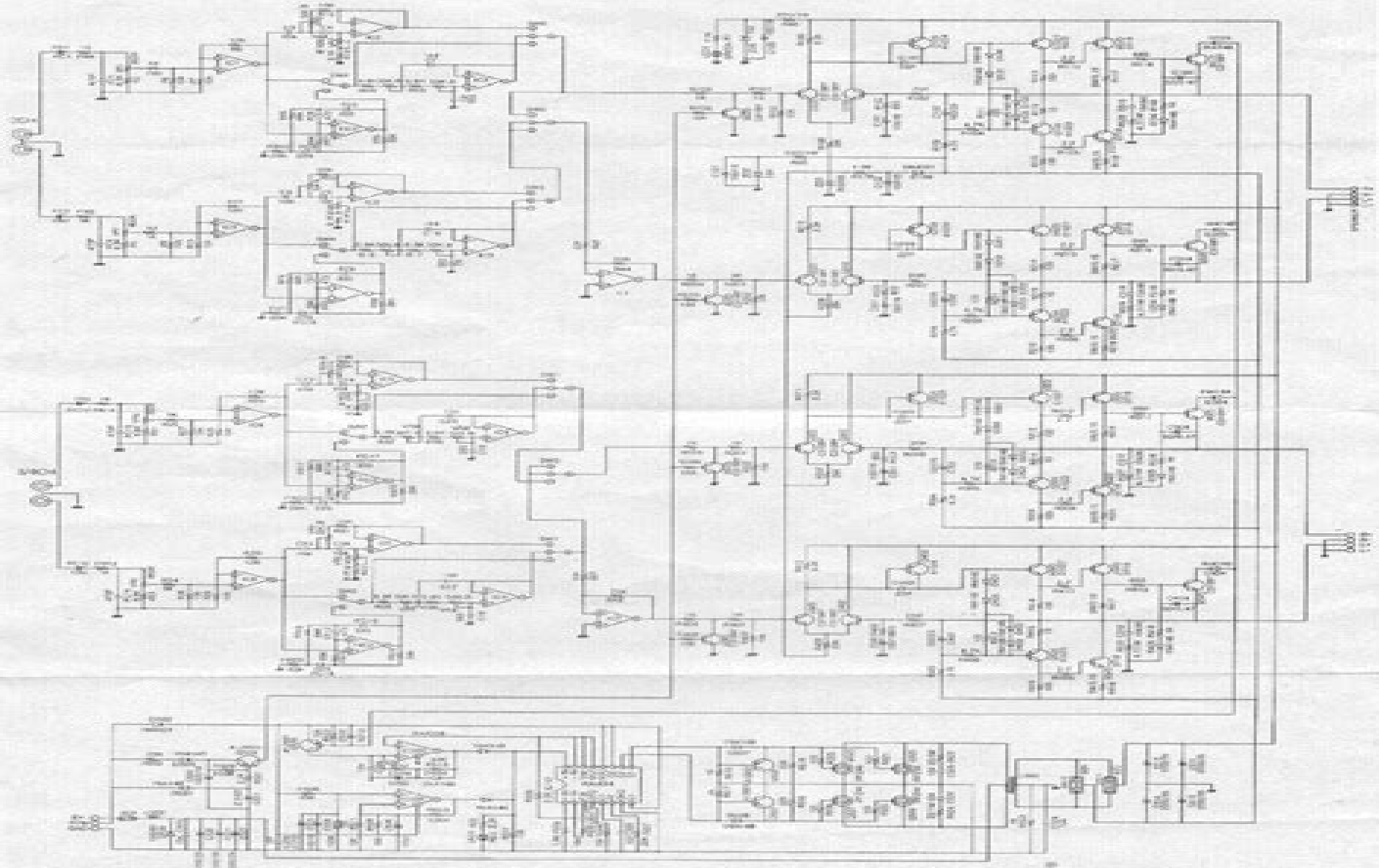


SCHALTBILD
 CIRCUIT DIAGRAM
 SCHEMA DES CONNEXIONS



Manual Magnat Classic 480

DJ Losen



Manual Magnat Classic 480:

The Enigmatic Realm of **Manual Magnat Classic 480**: Unleashing the Language is Inner Magic

In a fast-paced digital era where connections and knowledge intertwine, the enigmatic realm of language reveals its inherent magic. Its capacity to stir emotions, ignite contemplation, and catalyze profound transformations is nothing short of extraordinary. Within the captivating pages of **Manual Magnat Classic 480** a literary masterpiece penned by way of a renowned author, readers set about a transformative journey, unlocking the secrets and untapped potential embedded within each word. In this evaluation, we shall explore the book's core themes, assess its distinct writing style, and delve into its lasting impact on the hearts and minds of those that partake in its reading experience.

<https://staging.conocer.cide.edu/files/uploaded-files/index.jsp/imm%20level%201%20coating%20inspector%20logbook.pdf>

Table of Contents Manual Magnat Classic 480

1. Understanding the eBook Manual Magnat Classic 480
 - The Rise of Digital Reading Manual Magnat Classic 480
 - Advantages of eBooks Over Traditional Books
2. Identifying Manual Magnat Classic 480
 - Exploring Different Genres
 - Considering Fiction vs. Non-Fiction
 - Determining Your Reading Goals
3. Choosing the Right eBook Platform
 - Popular eBook Platforms
 - Features to Look for in an Manual Magnat Classic 480
 - User-Friendly Interface
4. Exploring eBook Recommendations from Manual Magnat Classic 480
 - Personalized Recommendations
 - Manual Magnat Classic 480 User Reviews and Ratings
 - Manual Magnat Classic 480 and Bestseller Lists

5. Accessing Manual Magnat Classic 480 Free and Paid eBooks
 - Manual Magnat Classic 480 Public Domain eBooks
 - Manual Magnat Classic 480 eBook Subscription Services
 - Manual Magnat Classic 480 Budget-Friendly Options
6. Navigating Manual Magnat Classic 480 eBook Formats
 - ePub, PDF, MOBI, and More
 - Manual Magnat Classic 480 Compatibility with Devices
 - Manual Magnat Classic 480 Enhanced eBook Features
7. Enhancing Your Reading Experience
 - Adjustable Fonts and Text Sizes of Manual Magnat Classic 480
 - Highlighting and Note-Taking Manual Magnat Classic 480
 - Interactive Elements Manual Magnat Classic 480
8. Staying Engaged with Manual Magnat Classic 480
 - Joining Online Reading Communities
 - Participating in Virtual Book Clubs
 - Following Authors and Publishers Manual Magnat Classic 480
9. Balancing eBooks and Physical Books Manual Magnat Classic 480
 - Benefits of a Digital Library
 - Creating a Diverse Reading Collection Manual Magnat Classic 480
10. Overcoming Reading Challenges
 - Dealing with Digital Eye Strain
 - Minimizing Distractions
 - Managing Screen Time
11. Cultivating a Reading Routine Manual Magnat Classic 480
 - Setting Reading Goals Manual Magnat Classic 480
 - Carving Out Dedicated Reading Time
12. Sourcing Reliable Information of Manual Magnat Classic 480
 - Fact-Checking eBook Content of Manual Magnat Classic 480
 - Distinguishing Credible Sources
13. Promoting Lifelong Learning

- Utilizing eBooks for Skill Development
 - Exploring Educational eBooks
14. Embracing eBook Trends
- Integration of Multimedia Elements
 - Interactive and Gamified eBooks

Manual Magnat Classic 480 Introduction

In today's digital age, the availability of Manual Magnat Classic 480 books and manuals for download has revolutionized the way we access information. Gone are the days of physically flipping through pages and carrying heavy textbooks or manuals. With just a few clicks, we can now access a wealth of knowledge from the comfort of our own homes or on the go. This article will explore the advantages of Manual Magnat Classic 480 books and manuals for download, along with some popular platforms that offer these resources. One of the significant advantages of Manual Magnat Classic 480 books and manuals for download is the cost-saving aspect. Traditional books and manuals can be costly, especially if you need to purchase several of them for educational or professional purposes. By accessing Manual Magnat Classic 480 versions, you eliminate the need to spend money on physical copies. This not only saves you money but also reduces the environmental impact associated with book production and transportation. Furthermore, Manual Magnat Classic 480 books and manuals for download are incredibly convenient. With just a computer or smartphone and an internet connection, you can access a vast library of resources on any subject imaginable. Whether you're a student looking for textbooks, a professional seeking industry-specific manuals, or someone interested in self-improvement, these digital resources provide an efficient and accessible means of acquiring knowledge. Moreover, PDF books and manuals offer a range of benefits compared to other digital formats. PDF files are designed to retain their formatting regardless of the device used to open them. This ensures that the content appears exactly as intended by the author, with no loss of formatting or missing graphics. Additionally, PDF files can be easily annotated, bookmarked, and searched for specific terms, making them highly practical for studying or referencing. When it comes to accessing Manual Magnat Classic 480 books and manuals, several platforms offer an extensive collection of resources. One such platform is Project Gutenberg, a nonprofit organization that provides over 60,000 free eBooks. These books are primarily in the public domain, meaning they can be freely distributed and downloaded. Project Gutenberg offers a wide range of classic literature, making it an excellent resource for literature enthusiasts. Another popular platform for Manual Magnat Classic 480 books and manuals is Open Library. Open Library is an initiative of the Internet Archive, a nonprofit organization dedicated to digitizing cultural artifacts and making them accessible to the public. Open Library hosts millions of books, including both public domain works and contemporary titles. It also allows users to borrow digital copies of

certain books for a limited period, similar to a library lending system. Additionally, many universities and educational institutions have their own digital libraries that provide free access to PDF books and manuals. These libraries often offer academic texts, research papers, and technical manuals, making them invaluable resources for students and researchers. Some notable examples include MIT OpenCourseWare, which offers free access to course materials from the Massachusetts Institute of Technology, and the Digital Public Library of America, which provides a vast collection of digitized books and historical documents. In conclusion, Manual Magnat Classic 480 books and manuals for download have transformed the way we access information. They provide a cost-effective and convenient means of acquiring knowledge, offering the ability to access a vast library of resources at our fingertips. With platforms like Project Gutenberg, Open Library, and various digital libraries offered by educational institutions, we have access to an ever-expanding collection of books and manuals. Whether for educational, professional, or personal purposes, these digital resources serve as valuable tools for continuous learning and self-improvement. So why not take advantage of the vast world of Manual Magnat Classic 480 books and manuals for download and embark on your journey of knowledge?

FAQs About Manual Magnat Classic 480 Books

How do I know which eBook platform is the best for me? Finding the best eBook platform depends on your reading preferences and device compatibility. Research different platforms, read user reviews, and explore their features before making a choice. Are free eBooks of good quality? Yes, many reputable platforms offer high-quality free eBooks, including classics and public domain works. However, make sure to verify the source to ensure the eBook credibility. Can I read eBooks without an eReader? Absolutely! Most eBook platforms offer web-based readers or mobile apps that allow you to read eBooks on your computer, tablet, or smartphone. How do I avoid digital eye strain while reading eBooks? To prevent digital eye strain, take regular breaks, adjust the font size and background color, and ensure proper lighting while reading eBooks. What the advantage of interactive eBooks? Interactive eBooks incorporate multimedia elements, quizzes, and activities, enhancing the reader engagement and providing a more immersive learning experience. Manual Magnat Classic 480 is one of the best book in our library for free trial. We provide copy of Manual Magnat Classic 480 in digital format, so the resources that you find are reliable. There are also many Ebooks of related with Manual Magnat Classic 480. Where to download Manual Magnat Classic 480 online for free? Are you looking for Manual Magnat Classic 480 PDF? This is definitely going to save you time and cash in something you should think about.

Find Manual Magnat Classic 480 :

[imm level 1 coating inspector logbook](#)

in business entity report

[imelda goblin king briony smith](#)

[immortally embraced by angie fox](#)

[in dangerous waters](#)

in search of lost dragons

[implosi oacute n spanish edition](#)

[imagerunner 1023 advanced operation guide](#)

[imac 6,1 user manual](#)

[in this house we lived and we died](#)

imsa traffic signal inspection manual

[inavouables deacutesirs un piegravege exquis passions extrecircmes t](#)

[in my own words the autobiography](#)

[implants patents surgical guide](#)

[independent medical exam guidelines](#)

Manual Magnat Classic 480 :

sewing books palmer pletsch teaching sewing since 1973 - Mar 31 2022

web the palmer pletsch complete guide to fitting sewing book 34 95 39 95 rated 5 00 out of 5 select options quick view pants

for real people pants book on fitting and sewing 27 95 32 95 rated 5 00 out of 5 select options quick view fit and sew custom

jeans sewing book 32 95 37 95 0 select options quick view

amazon com customer reviews the palmer pletsch complete guide - Jun 02 2022

web find helpful customer reviews and review ratings for the palmer pletsch complete guide to fitting sew great clothes for

every body fit any fashion pattern sewing for real people series at amazon com read honest and unbiased product reviews

from our users

palmer pletsch complete guide to fitting paperback - Dec 08 2022

web sep 1 2018 synopsis from tissue fitting pioneers pati palmer and marta alto comes a new book whose title says it all the

palmer pletsch complete guide to fitting sew great clothes for every body fit any fashion pattern it s been 20 years since their

last book about fitting and altering sewing patterns fit for real people

the palmer pletsch complete guide to fitting sew great - Sep 17 2023

web sep 1 2018 from tissue fitting pioneers pati palmer and marta alto comes a new book whose title says it the palmer pletsch complete guide to sew great clothes for every body fit any fashion pattern it s been 20 years since their last book about fitting and altering sewing patterns fit for real people

the palmer pletsch complete guide to fitting open library - Sep 05 2022

web sep 1 2018 source title the palmer pletsch complete guide to fitting sew great clothes for every body fit any fashion pattern sewing for real people series

the palmer pletsch complete guide to fitting sew great - Aug 16 2023

web sep 1 2018 the palmer pletsch complete guide to fitting sew great clothes for every body fit any fashion pattern sewing for real people series palmer pati alto marta 9781618471017 amazon com books books

the palmer pletsch complete guide to fitting sew great - Jan 09 2023

web sep 1 2018 overview from tissue fitting pioneers pati palmer and marta alto comes a new book whose title says it all the palmer pletsch complete guide to fitting sew great clothes for every body fit any fashion pattern it s been 20 years since their last book about fitting and altering sewing patterns fit for real people

palmer pletsch complete guide to fitting angus robertson - Feb 10 2023

web sep 1 2018 product details delivery from tissue fitting pioneers pati palmer and marta alto comes a new book whose title says it all the palmer pletsch complete guide to fitting sew great clothes for every body fit any fashion pattern it s been 20 years since their last book about fitting and altering sewing patterns fit for real people

the palmer pletsch complete guide to fitting booktopia - May 13 2023

web sep 1 2018 booktopia has the palmer pletsch complete guide to fitting sew great clothes for every body fit any fashion pattern by pati palmer buy a discounted paperback of the palmer pletsch complete guide to fitting online from australia s leading online bookstore

the palmer pletsch complete guide to fitting google books - Nov 07 2022

web the palmer pletsch complete guide to fitting sew great clothes for every pati palmer marta alto google books from tissue fitting pioneers pati palmer and marta alto

complete guide to fitting spiral book plus pattern paper palmer pletsch - May 01 2022

web with our complete guide to fitting book by pati palmer and marta alto you ll learn all facets of pattern fitting and alteration to give you the background and guidance needed to achieve a custom fit on any pattern from any company the spiral binding makes it

the palmer pletsch complete guide to fitting pati palmer - Jul 03 2022

web with the palmer pletsch complete guide to fitting you ll learn all facets of bodice and skirt pattern fitting and alteration to give you the background and guidance needed to achieve a custom fit on any pattern from any company

palmer pletsch complete guide to fitting sew grea 2023 - Feb 27 2022

web palmer pletsch complete guide to fitting sew grea understanding and adjusting sewing patterns nov 16 2021 everyone feels good and looks better in well fitted clothes this practical book explains how to make garments that really fit you and flatter your shape it is a step by step guide to understanding fully what

the palmer pletsch complete guide to fitting sewing studio - Mar 11 2023

web fit any fashion pattern by pati palmer and marta alto with this new complete guide to fitting you ll learn all facets of pattern fitting and alteration to give you the background and guidance needed to achieve a custom fit on any pattern from any company

the palmer pletsch complete guide to fitting blackwell s - Aug 04 2022

web sep 1 2018 the palmer pletsch complete guide to fitting sew great clothes for every body fit any fashion pattern pati palmer marta alto paperback 01 sep 2018 save 3 53 i rrp 38 17 34 64 add to basket includes delivery to the united states 10 copies available online usually dispatched within 72 hours publisher s synopsis

the palmer pletsch complete guide to fitting sewing book - Oct 18 2023

web the palmer pletsch complete guide to fitting sewing book rated 5 00 out of 5 based on 1 customer rating 1 customer review 34 95 39 95 sew great clothes for every body fit any fashion pattern by pati palmer and marta alto

the palmer pletsch complete guide to fitting sew great - Jul 15 2023

web the palmer pletsch complete guide to fitting sew great clothes for every body fit any fashion pattern palmer pati alto marta amazon com au books

the palmer pletsch complete guide to fitting - Oct 06 2022

web dec 9 2018 books online the palmer pletsch complete guide to fitting sew great clothes for every body fit any fashion pattern sewing for real people 2018 fishpond com au the palmer pletsch complete guide to fitting pati alto palmer shop online for books in australia

the palmer pletsch complete guide to fitting sew great - Jun 14 2023

web buy the palmer pletsch complete guide to fitting sew great clothes for every body fit any fashion pattern sewing for real people illustrated by palmer pati alto marta isbn 9781618471017 from amazon s book store everyday low prices and free delivery on eligible orders

the palmer pletsch complete guide to fitting sew great - Apr 12 2023

web condition new paperback a beautifully illustrated and technically authoritative guide from tissue fitting pioneers pati palmer and marta alto comes a new book whose title says it all the palmer pletsch complete guide to fitting sew great clothes for every body fit any fashion pattern

[solve it like sherlock test your powers of reasoning against](#) - Jun 13 2023

web if you ve always fancied yourself a bit of a sherlock holmes there s no better way to test yourself than against these ingenious puzzles in this intriguing book stewart ross presents 25 new sherlock holmes cases and challenges you to pit your powers of deduction against those of the great detective

[ratselbuch sherlock holmes solve it like sherlock pdf](#) - Jul 02 2022

web the amazing sherlock holmes puzzle book the sherlock holmes puzzle collection brain games sherlock holmes puzzle 2 2 the return of sherlock holmes and his last bow the great sherlock holmes puzzle book solve it like sherlock rätselbuch sherlock holmes solve it like sherlock the sherlock holmes handbook the

[rätselbuch sherlock holmes solve it like sherlock](#) - May 12 2023

web wenn sherlock holmes ans kombinieren geht ist ihm kein fall zu knifflig folgen sie dem meisterdetektiv bei der spurensuche die 25 aufgaben in diesem faszinierenden buch sind erzählt wie kleine kriminalgeschichten aus der welt der londoner baker street

[ratselbuch sherlock holmes solve it like sherlock pdf](#) - Apr 30 2022

web jul 11 2023 their chosen novels like this ratselbuch sherlock holmes solve it like sherlock but end up in infectious downloads rather than enjoying a good book with a cup of tea in the afternoon instead they cope with some harmful virus inside their laptop ratselbuch sherlock holmes solve it like sherlock is available in our book collection

ratselbuch sherlock holmes solve it like sherlock copy - Mar 30 2022

web mar 21 2023 ratselbuch sherlock holmes solve it like sherlock 2 8 downloaded from uniport edu ng on march 21 2023 by guest riddles and conundrums themed around the casebook of sherlock holmes you know my methods apply them sherlock holmes there s no greater fictional puzzle solver that sherlock holmes and now

ratselbuch sherlock holmes solve it like sherlo ross strumpel - Feb 09 2023

web find many great new used options and get the best deals for ratselbuch sherlock holmes solve it like sherlo ross strumpel at the best online prices at ebay free shipping for many products

rätselbuch sherlock holmes sherlock holmes wiki fandom - Mar 10 2023

web rätselbuch sherlock holmes solve it like sherlock ist ein pastiche spielbuch von stewart ross welches am 8 märz 2018 bei michael o mara books erschien in deutschland erschien es erstmals am 30 september 2018 beim anaconda verlag die Übersetzung stammt von jan strümpel im vergleich zur

sherlock holmes kitap serisi Önerisi technopat sosyal - Sep 04 2022

web aug 29 2014 uğur Ç kitap serisi olarak bunları sırasıyla okumanı öneririm gayet güzel aynı yazar tarafından yazılmış tüm sherlock holmes maceları bu 5 ana kitap içerisinde akıl oyunlarının gölgesinde ciltli arthur conan doyle kitap bkm kitap suç detayda saklıdır sherlock holmes ciltli arthur conan doyle kitap bkm

komplettlösung sherlock holmes versus arsene lupin spieletipps - Jan 28 2022

web komplettlösung sherlock holmes versus arsene lupin vorwort baker street bücherladen baker street stadtplan die nationalgalerie kurzer einblick die nationalgalerie erste spurensuche

en İyi 20 sherlock holmes kitabı kitapkolik com - Nov 06 2022

web dec 7 2022 dünyaca ün kazanmış ve adından her dönem bahsettiren yazar sherlock holmes in en iyi 20 kitabını siz değerli okurlarımız için aşağıda listeledik sizler için listelediğimiz en iyi sherlock holmes kitapları ile yazarın en meşhur ve en çok satan eserlerine kolaylıkla ulaşabileceksiniz sitemiz ayrıcalıkları ile kolay

ross stewart rätselbuch sherlock holmes solve it like sherlock - Dec 07 2022

web anaconda verlag gmbh penguin random house verlagsgruppe gmbh ross stewart rätselbuch sherlock holmes solve it like sherlock 25 spannende fälle und lösungen jetzt online kaufen bei letzshop im geschäft in luxemburg stadt vorrätig online bestellen

ratselbuch sherlock holmes solve it like sherlock pdf - Jun 01 2022

web apr 16 2023 ratselbuch sherlock holmes solve it like sherlock 1 9 downloaded from uniport edu ng on april 16 2023 by guest ratselbuch sherlock holmes solve it like sherlock when somebody should go to the books stores search opening by shop shelf by shelf it is essentially problematic this is why we present the book compilations in this

ratselbuch sherlock holmes solve it like sherlock daniel - Aug 03 2022

web this ratselbuch sherlock holmes solve it like sherlock as one of the most committed sellers here will entirely be in the middle of the best options to review escape room puzzles james hamer morton 2020 02 04 solve these fiendishly fun escape room puzzles without leaving your house escape rooms have become a popular group activity in cities

rätselbuch sherlock holmes solve it like sherlock orell füssli - Dec 27 2021

web jetzt online bestellen heimlieferung oder in filiale rätselbuch sherlock holmes solve it like sherlock 25 spannende fälle und lösungen von stewart ross orell füssli der buchhändler ihres vertrauens

rätselbuch sherlock holmes solve it like sherlock thalia - Jul 14 2023

web rätselbuch sherlock holmes solve it like sherlock 25 spannende fälle und lösungen stewart ross buch gebundene ausgabe solve it like sherlock on apple books - Jan 08 2023

web if you ve always fancied yourself a bit of a sherlock holmes there s no better way to test yourself than against these

ingenious puzzles in this intriguing book stewart ross presents 25 new sherlock holmes cases and challenges you

rätselbuch sherlock holmes solve it like sherlock 22 - Apr 11 2023

web oct 1 2018 rätselbuch sherlock holmes solve it like sherlock 22 spannende fälle und lösungen ross stewart on amazon com free shipping on qualifying offers rätselbuch sherlock holmes solve it like sherlock 22 spannende fälle und lösungen

rätselbuch sherlock holmes solve it like sherlock like new - Oct 05 2022

web oct 23 2022 rätselbuch sherlock holmes solve it like sherlock isbn 3730606395 isbn 13 9783730606391 like new used free shipping in the us

rätselbuch sherlock holmes solve it like sherlock 22 - Aug 15 2023

web sherlock holmes e hayransanız ve onunla birlikte suç dünyasının altını üstüne getirmeyi sev rätselbuch sherlock holmes solve it like sherlock 22 spannende fälle und lösungen by stewart ross goodreads

ratselbuch sherlock holmes solve it like sherlock 2022 - Feb 26 2022

web 2 ratselbuch sherlock holmes solve it like sherlock 2020 10 19 pride prejudice puzzles quarto publishing group usa presenting three captivating mysteries of arthur conan doyle s beloved sleuth sherlock holmes in the first ever omnibus collecting his comic book adventures from young holmes first

physique chimie 4e 2007 site compagne Éditions nathan - Mar 28 2022

physique chimie cycle 4 4e livre du professeur - Jan 06 2023

web retrouvez tous nos livres du professeur retrouvez les sur notre site dans la page de l ouvrage concerné et depuis votre manuel numérique sur la première page ou dans le

physique chimie 4e 2017 site compagne Éditions nathan - Nov 04 2022

web le site compagne du manuel scolaire de physique chimie 4e 2007 pour le collège propose aux enseignants des ressources téléchargeables comme l intégralité du livre

site enseignant physique chimie collection espace 4e - Feb 07 2023

web physique chimie 4e livre du professeur 1 cd rom retrouvez tous les produits disponibles à l achat sur rakuten

physique chimie 4e livre du professeur belin education - Jul 12 2023

web une collection qui permet à l élève de s entrainer grâce à une véritable banque d exercices des pistes d exploitation pédagogiques la mise en perspective claire du programme et

les manuels scolaires manuels numériques pour le collège et le - Apr 09 2023

web pour tester et demander votre offre gratuite version enseignant extrait physique chimie 4e des Éditions hachette Éducation mon espace tous les manuels démo

espace physique chimie 4e manuel de l élève ed 2017 - Jan 26 2022

livres du professeur editions hatier - May 30 2022

physique chimie 4e livre du professeur 1 cd rom rakuten - Jun 30 2022

web un manuel de physique chimie 4e avec une progression spiralaire et plus de liberté pédagogique parution 2017 une progression spiralaire construite à partir des

physique chimie cycle 4 4e livre du professeur éd 2017 - Apr 28 2022

physique chimie cycle 4 4e livre du professeur éd 2017 fnac - Aug 01 2022

web apr 12 2017 physique chimie cycle 4 4e livre élève éd 2017 feuilleter découvrir la collection date de parution à l esprit et au nouveau programme du cycle 4 bilans

physique chimie cycle 4 4e livre du professeur éd 2017 - Sep 14 2023

web aug 21 2017 le livre du professeur contient pour chaque chapitre les corrigés des activités des tâches complexes et des exercices un récapitulatif des compétences

physique chimie cycle 4 4e livre élève enseignants - Dec 25 2021

calaméo physique chimie 4e lelivrescolaire fr - Oct 03 2022

web apr 1 2007 physique chimie 4e livre du professeur programme 2007 de hélène carre Éditeur nathan livraison gratuite à 0 01 dès 35 d achat librairie decitre

physique chimie cycle 4 2017 livre du professeur magnard - Mar 08 2023

web sep 13 2017 livre du professeur edition 2017 physique chimie cycle 4 4e livre du professeur éd 2017 thierry dulaurans michel barde marc bigorre hachette

physique chimie 4e livre de l élève nathan enseignants - Nov 23 2021

espace physique chimie cycle 4 livre du - Dec 05 2022

web pour chaque chapitre cet ouvrage explicite le programme propose des conseils pour la mise en œuvre des activités fournit les réponses aux exercices des tableaux d aide à

manuel physique chimie 4e lelivrescolaire fr - Aug 13 2023

web utilisation des cookies lors de votre navigation sur ce site des cookies nécessaires au bon fonctionnement et exemptés de

consentement sont déposés les manuels

manuel physique chimie cycle 4 lelivrescolaire fr - May 10 2023

web découvrez votre manuel de physique chimie un manuel construit cycle dans une logique de organisation et mouvement transformations cycle de la matière et

version enseignant extrait physique chimie 4e des Éditions - Sep 02 2022

web prix éditeur 24 90 spécimen enseignant avec forfait de mise à disposition réservé aux enseignants de la matière et du niveau concernés 11 00 présentation auteurs fiche

physique chimie manuel scolaire élève enseignant - Jun 11 2023

web le site compagne du manuel de physique chimie 4e destiné aux enseignants propose gratuitement de nombreuses ressources complémentaires le livre du professeur

physique chimie 4e livre du professeur livre du - Oct 15 2023

web feb 19 2023 physique chimie cycle 4 4e livre du professeur éd 2017 pour chaque chapitre cet ouvrage explicite le programme propose des conseils pour la mise

physique chimie 4e livre du professeur programme 2007 - Feb 24 2022