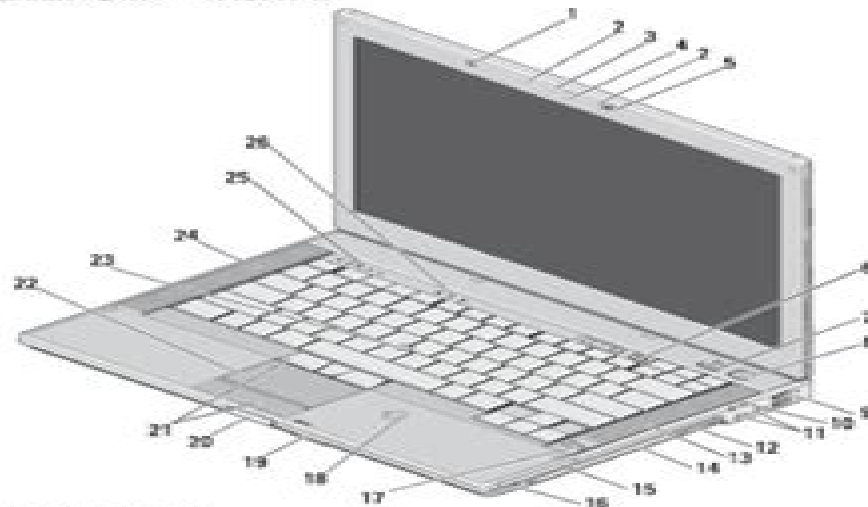


Dell™ Latitude™ E6410 /E6410 ATG

Setup and Features Information

Latitude E6410 — Front View



DELL™

Regulatory Model: P92DLA Regulatory Type: P92DLAM1

About Warnings

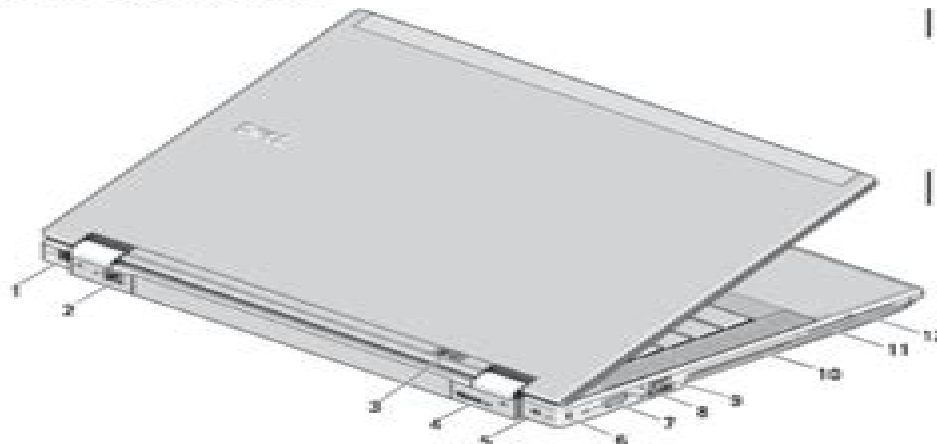


WARNING: A WARNING indicates a potential for property damage, personal injury, or death.

- | | |
|----------------------------------|---|
| 1 Ambient Light Sensor (ALS) | 2 stereo microphones (optional) |
| 3 camera LED (optional) | 4 camera (optional) |
| 5 display latch | 6 volume control buttons |
| 7 Dell Latitude ON™ button | 8 power button |
| 9 USB 2.0 connectors (2) | 10 wireless switch |
| 11 audio connectors | 12 CD/DVD/Blu-ray disc removal button |
| 13 right speaker | 14 CD/DVD/Blu-ray disc drive |
| 15 PC card or Express card slot | 16 IEEE 1394 connector |
| 17 fingerprint reader (optional) | 18 contactless smart card reader (optional) |
| 19 Secure Digital (SD) card slot | 20 display latch release button |
| 21 touchpad/trackstick buttons | 22 touchpad |
| 23 trackstick | 24 left speaker |
| 25 device status lights | 26 keyboard status lights |

January 2010

Latitude E6410 — Back View



- | |
|--|
| 1 modem connector (Optional modem daughter card) |
| 2 network connector |
| 3 power/battery indicators |
| 4 multimode DisplayPort connector |
| 5 AC adapter connector |
| 6 security cable slot |
| 7 video connector (VGA) |
| 8 e-SATA/USB 2.0 connector |
| 9 powered USB 2.0 connector |
| 10 cooling vent |
| 11 hard drive |
| 12 smart card slot |



WARNING: Do not block, push objects into, or allow dust to accumulate in the air vents. Do not store your Dell computer in a low-airflow environment, such as a closed briefcase, while it is running. Restricting the airflow can damage the computer or cause a fire. The computer turns on the fan when the computer gets hot. Fan noise is normal and does not indicate a problem with the fan or the computer.

Manual Dell Latitude D5

**Ken McCarter, Jeff Bell, Sondra
Halperin, Rick Strouse**



Manual Dell Latitude D5:

Catalog of the Library of the Academy of Natural Sciences of Philadelphia Academy of Natural Sciences of Philadelphia. Library,1972 **Library of Congress Catalogs** Library of Congress,1964 Telikin Freedom Quickstart Guide and User's Manual Ken McCarter,Jeff Bell,Sondra Halperin,Rick Strouse,2015-07-17 The Telikin Laptop Quick Start Guide gives you step by step instructions for setting up your Telikin Laptop and getting started There are clear illustrations for connecting the Mouse Power Supply and Ethernet Connection The Quick Start also illustrates use of the main screen controls for Volume Controls Help Video Help and the Screen Magnifier *Lenovo Flex User Manual* Digital Insight,2020-01-17 A Quick and Easy User Guide to Lenovo FlexAre you looking for a comprehensive user manual that will help you SETUP and Master Lenovo Flex Are you looking for a manual that will expose you to all the amazing features of your device Then get your hands on this book and have an amazing time using your device Lenovo Flex Features powerful and efficient AMD processing and a battery that lasts all day Plus rapid recharging that can restore your battery charge up to 80% in just an hour the Lenovo flex 14 Convertible touchscreen laptop can help make your ideas happen This multi mode PC also has a physical Webcam Shutter for extra privacy while the digital pen support enables you to write or sketch directly onto the full HD 14 Display Use your Flex 14 2 in 1 laptop in notebook computer mode for your everyday computing needs fold it into tablet computer mode for drawing or touchscreen interaction or put it into tent or stand mode to binge your favorite streaming shows or Share a movie with friends as the Radeon Vega integrated graphics bring you amazing performance on the goThere are many other factors that make up the overall goodness of this device This book is written in simple and clear terms with a step by step approach and with tips and tricks that will help you to master your Lenovo Flex within the shortest period of time Get your copy NOW
Dell Inspiron 9100 Owner's Manual ,2004

Unveiling the Magic of Words: A Overview of "**Manual Dell Latitude D5**"

In some sort of defined by information and interconnectivity, the enchanting power of words has acquired unparalleled significance. Their power to kindle emotions, provoke contemplation, and ignite transformative change is really awe-inspiring. Enter the realm of "**Manual Dell Latitude D5**," a mesmerizing literary masterpiece penned by way of a distinguished author, guiding readers on a profound journey to unravel the secrets and potential hidden within every word. In this critique, we shall delve in to the book is central themes, examine its distinctive writing style, and assess its profound effect on the souls of its readers.

https://staging.conocer.cide.edu/public/scholarship/Download_PDFS/Mf_34a_Loader_Manual.pdf

Table of Contents Manual Dell Latitude D5

1. Understanding the eBook Manual Dell Latitude D5
 - The Rise of Digital Reading Manual Dell Latitude D5
 - Advantages of eBooks Over Traditional Books
2. Identifying Manual Dell Latitude D5
 - Exploring Different Genres
 - Considering Fiction vs. Non-Fiction
 - Determining Your Reading Goals
3. Choosing the Right eBook Platform
 - Popular eBook Platforms
 - Features to Look for in an Manual Dell Latitude D5
 - User-Friendly Interface
4. Exploring eBook Recommendations from Manual Dell Latitude D5
 - Personalized Recommendations
 - Manual Dell Latitude D5 User Reviews and Ratings
 - Manual Dell Latitude D5 and Bestseller Lists

5. Accessing Manual Dell Latitude D5 Free and Paid eBooks
 - Manual Dell Latitude D5 Public Domain eBooks
 - Manual Dell Latitude D5 eBook Subscription Services
 - Manual Dell Latitude D5 Budget-Friendly Options
6. Navigating Manual Dell Latitude D5 eBook Formats
 - ePub, PDF, MOBI, and More
 - Manual Dell Latitude D5 Compatibility with Devices
 - Manual Dell Latitude D5 Enhanced eBook Features
7. Enhancing Your Reading Experience
 - Adjustable Fonts and Text Sizes of Manual Dell Latitude D5
 - Highlighting and Note-Taking Manual Dell Latitude D5
 - Interactive Elements Manual Dell Latitude D5
8. Staying Engaged with Manual Dell Latitude D5
 - Joining Online Reading Communities
 - Participating in Virtual Book Clubs
 - Following Authors and Publishers Manual Dell Latitude D5
9. Balancing eBooks and Physical Books Manual Dell Latitude D5
 - Benefits of a Digital Library
 - Creating a Diverse Reading Collection Manual Dell Latitude D5
10. Overcoming Reading Challenges
 - Dealing with Digital Eye Strain
 - Minimizing Distractions
 - Managing Screen Time
11. Cultivating a Reading Routine Manual Dell Latitude D5
 - Setting Reading Goals Manual Dell Latitude D5
 - Carving Out Dedicated Reading Time
12. Sourcing Reliable Information of Manual Dell Latitude D5
 - Fact-Checking eBook Content of Manual Dell Latitude D5
 - Distinguishing Credible Sources
13. Promoting Lifelong Learning

- Utilizing eBooks for Skill Development
 - Exploring Educational eBooks
14. Embracing eBook Trends
- Integration of Multimedia Elements
 - Interactive and Gamified eBooks

Manual Dell Latitude D5 Introduction

In the digital age, access to information has become easier than ever before. The ability to download Manual Dell Latitude D5 has revolutionized the way we consume written content. Whether you are a student looking for course material, an avid reader searching for your next favorite book, or a professional seeking research papers, the option to download Manual Dell Latitude D5 has opened up a world of possibilities. Downloading Manual Dell Latitude D5 provides numerous advantages over physical copies of books and documents. Firstly, it is incredibly convenient. Gone are the days of carrying around heavy textbooks or bulky folders filled with papers. With the click of a button, you can gain immediate access to valuable resources on any device. This convenience allows for efficient studying, researching, and reading on the go. Moreover, the cost-effective nature of downloading Manual Dell Latitude D5 has democratized knowledge. Traditional books and academic journals can be expensive, making it difficult for individuals with limited financial resources to access information. By offering free PDF downloads, publishers and authors are enabling a wider audience to benefit from their work. This inclusivity promotes equal opportunities for learning and personal growth. There are numerous websites and platforms where individuals can download Manual Dell Latitude D5. These websites range from academic databases offering research papers and journals to online libraries with an expansive collection of books from various genres. Many authors and publishers also upload their work to specific websites, granting readers access to their content without any charge. These platforms not only provide access to existing literature but also serve as an excellent platform for undiscovered authors to share their work with the world. However, it is essential to be cautious while downloading Manual Dell Latitude D5. Some websites may offer pirated or illegally obtained copies of copyrighted material. Engaging in such activities not only violates copyright laws but also undermines the efforts of authors, publishers, and researchers. To ensure ethical downloading, it is advisable to utilize reputable websites that prioritize the legal distribution of content. When downloading Manual Dell Latitude D5, users should also consider the potential security risks associated with online platforms. Malicious actors may exploit vulnerabilities in unprotected websites to distribute malware or steal personal information. To protect themselves, individuals should ensure their devices have reliable antivirus software installed and validate the legitimacy of the websites they are downloading from. In conclusion, the ability to download Manual Dell Latitude D5 has transformed the way we

access information. With the convenience, cost-effectiveness, and accessibility it offers, free PDF downloads have become a popular choice for students, researchers, and book lovers worldwide. However, it is crucial to engage in ethical downloading practices and prioritize personal security when utilizing online platforms. By doing so, individuals can make the most of the vast array of free PDF resources available and embark on a journey of continuous learning and intellectual growth.

FAQs About Manual Dell Latitude D5 Books

How do I know which eBook platform is the best for me? Finding the best eBook platform depends on your reading preferences and device compatibility. Research different platforms, read user reviews, and explore their features before making a choice. Are free eBooks of good quality? Yes, many reputable platforms offer high-quality free eBooks, including classics and public domain works. However, make sure to verify the source to ensure the eBook credibility. Can I read eBooks without an eReader? Absolutely! Most eBook platforms offer web-based readers or mobile apps that allow you to read eBooks on your computer, tablet, or smartphone. How do I avoid digital eye strain while reading eBooks? To prevent digital eye strain, take regular breaks, adjust the font size and background color, and ensure proper lighting while reading eBooks. What the advantage of interactive eBooks? Interactive eBooks incorporate multimedia elements, quizzes, and activities, enhancing the reader engagement and providing a more immersive learning experience. Manual Dell Latitude D5 is one of the best book in our library for free trial. We provide copy of Manual Dell Latitude D5 in digital format, so the resources that you find are reliable. There are also many Ebooks of related with Manual Dell Latitude D5. Where to download Manual Dell Latitude D5 online for free? Are you looking for Manual Dell Latitude D5 PDF? This is definitely going to save you time and cash in something you should think about.

Find Manual Dell Latitude D5 :

mf 34a loader manual

metcalf and eddy wastewater eng solutions manual

mf 690 operators manual

metamorphoses publius ovidius na

metal fabrication quality control manual

mes kilomegravetres de millau

merrithew postural analysis guide

mexico city blues rsmidiaitalia modern classics

[merrill physics principles problems answer key](#)

mf 133 workshop manual

mes recettes bienecircetre

mettler toledo id7 manual

[mercury steering side console manual](#)

mercury outboard operators manual

[mercury thunderbolt ignition manual](#)

Manual Dell Latitude D5 :

hayalet ghost filmi sinemalar com - Aug 23 2023

web hayalet film konusu sam ve molly birbirlerine delicesine aşık bir çift yeni bir apartmana taşınan çift yolda serseriler tarafından saldırıya uğruyor ve sam kavga sırasında öldürülüyor ancak sam bir hayalet olarak yaşamayı sürdürüyor ve sevgilisini tehlikelerden uzak tutmak ve kendi ölümünü planlayanları bulmak

[ghost of tsushima tsuşima nın hayaleti playstation](#) - Apr 19 2023

web aug 19 2021 aksiyon macera oyunu ghost of tsushima tsuşima nın hayaleti ni ps4 ve ps5 te keşfedin tüm sürümlerin satın alım oyun detayı ürün video görüntü bilgilerini görüntüleyin Şimdi mağazaya git

[ghost youtube](#) - May 20 2023

web ghost continues to elevate reaffirm its status as one of the world s most esteemed celebrated creative forces accumulating well over a billion streams the grammy winning swedish theatrical

ghost wikipedia - Jun 21 2023

web t e in folklore a ghost is the soul or spirit of a dead person or non human animal that is believed to be able to appear to the living in ghostlore descriptions of ghosts vary widely from an invisible presence to translucent or barely visible wispy shapes to

ghost wikipedi - Mar 18 2023

web ghost abd de ghost b c adıyla bilinir linköping de 2008 yılında kurulan İsveçli heavy metal müzik grubudur 1 2010 yılında 3 parçalık demo ile birlikte elizabeth isimli plak ve çıkış albümleri olan opus eponymous yayımlamışlardır

[hayalet ghost beyazperde com](#) - Jul 22 2023

web molly ve sam aşk yaşayan new yorklu bir çifttir sam cüzdanını taşıyan bir serseri tarafından bıçaklanarak öldürülür ruhu bedeni terkettiğinde ölümden sonraki yaşamı yavaş yavaş keşfetme fırsatı bulur Ölümlerin ruhlarının canlılarla aynı ortamda

varolduğu ama yaşayanların ruhları göremediği bir ortamdır bu

[justin bieber ghost youtube](#) - Sep 24 2023

web justice the complete edition justinbieber lnk to justicethecompleteedition shop justice merch justinbieber lnk to officialshop follow

[ghost youtube music](#) - Feb 17 2023

web ghost continues to elevate reaffirm its status as one of the world s most esteemed celebrated creative forces accumulating well over a billion streams the grammy winning swedish theatrical rock band continues to bring the euphoric spectacle rolling stone of its live shows to ever growing increasingly impassioned crowds headlining

[ghost 1990 film wikipedia](#) - Jan 16 2023

web one night after attending the theater with molly sam is killed when a mugger tries to steal his wallet sam is shocked to realize he is a ghost but when angels appear to take his soul to heaven he returns to molly weeks later in an

ghost nedir ne demek - Dec 15 2022

web ghost ne demek peşinde koşmak ruh can cin İz gölge başkasının adına yazmak niteliksiz yazılar yazmak hayalet hortlak heyula tayf

[physical world encyclopedia com](#) - Aug 04 2022

web physical world in theosophical thought the lowest of the seven worlds the world in which ordinary man moves and is conscious under normal conditions formerly known as the sthula plane it is the limit of the ego s descent into matter and the matter which composes the appropriate physical body is the densest of any of these worlds physical matter

[the spirit world and physical world ekbz s blog](#) - May 01 2022

web sep 26 2019 there are two distinct worlds created by god one is the spirit world the other is the physical world only the power of god s love can evoke a reaction from both worlds none of the things cherished by the physical world such as money power or knowledge have influence in the spirit world

v v r s reflections on the physical world just another wordpress - Jun 02 2022

web just another wordpress com weblog v v r s reflections on the physical world just another wordpress com weblog about this series this is somewhat embarrassing isn t it it seems we can t find what you re looking for perhaps searching can help search for

physical world science4real - Feb 10 2023

web lo 2 physical world students should be able to identify and measure calculate length mass time temperature area volume density speed acceleration force potential difference current resistance electrical power

[the influence of spiritual world in physical world](#) - Jul 03 2022

web the influence of spiritual world in physical world everything in the physical world is caused by something in the spiritual world the physical world of humans is somewhere connected to a spiritual world or in simple words with a spirit world

physical world facebook - Jan 29 2022

web physical world 813 likes education website

physical world wordpress com pdf - Aug 16 2023

web physical world wordpress com wordpress bible jun 28 2021 a complete and thorough guide to the largest self hosted blogging tool wordpress has learning wordpress become a pressing issue for you if so then turn to wordpress bible a complete resource on everything you need to know to learn wordpress from beginning

wordpress com - Jun 14 2023

web please enable javascript in your browser to enjoy wordpress com

thinking that the physical world is all that exists - Oct 06 2022

web yet this also agrees with your demand for things to be feelable the high does not stand without the low i e if spiritual reality created physical space time reality e g if god created the physical world then on one hand god must be supremely difficult to understand as the heavens are higher than the earth so are

physical world growintheword s blog - Mar 31 2022

web angels and demons part 1 the spirit world vs the physical world synopsis of bible study 9 15 10 delivered by bishop walker iii foundation scripture reveals the existence of two worlds they are the spiritual world and physical world now continue reading

thoughts on interaction between the physical world and the - Sep 05 2022

web feb 6 2019 how does the physical world interact with the spiritual realm for our physical world to have direct interaction with the spiritual or supernatural realm one of two things must happen either the physical world must extend into the supernatural realm or vice versa but how exactly does this happen

wordpress com - Nov 07 2022

web as an open source company we take your privacy seriously and want to be as transparent as possible so we use cookies to collect some personal data from you like your browsing data ip addresses and other unique identifiers

the immaterial physical world ericdubay com - Mar 11 2023

web jul 1 2018 the immaterial physical world for centuries the prevailing western worldview has been built upon the materialistic mechanical model of isaac newton a clockwork universe composed of separate particles of matter interacting according to precise physical laws and existing within objective dimensions of space and time

physical world dhananjayparkar files wordpress com - May 13 2023

web physical phenomena in terms of a few concepts and laws the effort is to see the physical world as manifestation of some universal laws in different domains and conditions for example the same law of gravitation given by newton describes the fall of an apple to the ground the motion of the moon around the earth and the motion of planets

wordpress com - Dec 08 2022

web link rel stylesheet href fonts googleapis com css family noto serif 400 400i 700 700i amp subset cyrillic cyrillic ext greek greek ext latin ext

characteristics of the physical world upowerofu - Jan 09 2023

web mar 1 2012 the world does not like or dislike you the physical world is matter that is constantly in flux for example the earth is constantly rotating and your body is constantly aging giving you the understanding of time through constant change the physical world is created and driven by energy

physical world devon geography - Apr 12 2023

web jul 19 2023 little ram the latest volcanic eruption in iceland celebrated its first week birthday yesterday july 17th 2023 a previous blog that collated some resources from around the time of the eruption can be found at wordpress com post devongeography wordpress com 10349 this blog gathers

physical world dhananjay parkar - Jul 15 2023

web answer the whole of physical world is complex in nature the biological world has its own complexities moreover vastly different orders of magnitudes are involved in space time and mass inspite of all this almost all the physical phenomena can be expressed in

genius physics class xi 2012 physics with pradeep - Dec 28 2021

web in any physical phenomenon governed by different forces several quantities do not change with time these special quantities are conserved quantities of nature 1 for motion under conservative force the total mechanical energy of a body is constant 2 total energy of a system is conserved and it is valid

the spiritual world and the physical world keeping my eyes on - Feb 27 2022

web dec 14 2011 here is an explanation of this there are 2 worlds there is a spiritual world and there is a physical world and most people aren t really aware of the spiritual world and what s going on in the spiritual world but it does exist as a matter of fact the spiritual world created this physical world that we see

[solutions chemistry webquest rodens classroom answers](#) - Sep 21 2023

web oct 6 2023 wiggins and jay mctighe answer these and many other questions in this second edition of understanding by design drawing on feedback from thousands of educators around the world who have used the ubd framework since its introduction in 1998 the authors have greatly revised and expanded their original work to guide

solutions chemistry webquest answers key - Apr 04 2022

web aug 1 2023 webquest rodens classroom answers solution of chemistry webquest key laxmidewebdevelopers co solutions webquest polk school district chemistry solutions solutions chemistry webquest rodens classroom answers april 30th 2018 solutions chemistry webquest rodens classroom answers 100 lab answer

webquest answers chemistry rodens solutions classroom - Dec 12 2022

web this webquest answers chemistry rodens solutions classroom as one of the majority operating sellers here will totally be associated with by the best selections to review why dont you endeavor to get something basic in the

get free solutions chemistry webquest rodens classroom answers - May 17 2023

web jan 31 2023 solutions chemistry webquest rodens classroom answers as well as evaluation them wherever you are now as recognized adventure as with ease as experience virtually lesson amusement as with ease as promise can be gotten by just checking out a ebook solutions chemistry webquest rodens classroom answers as a

solutions chemistry webquest answers key bespoke cityam - Feb 02 2022

web jun 7 2023 solutions chemistry webquest answer key andulo de introduction to acids and bases answer key solutions chemistry webquest answers key solutions webquest with answer key gutscheinshow de solutions chemistry webquest rodens classroom answers solutions chemistry webquest answer key elusya de

solutions chemistry webquest answers key - Mar 15 2023

web april 29th 2018 solutions chemistry webquest rodens classroom answers to algebra 42 answer key solutions pre intermediate test unit 8 holt mcdougal solutions chemistry webquest rodens classroom answers

solutions chemistry webquest rodens classroom answers test - Sep 09 2022

web jul 8 2023 chemistry webquest rodens classroom solutions chemistry webquest rodens classroom change your habit to hang or waste the time to only chat with your friends read and download solutions chemistry webquest rodens

science quiz chemistry chemical reactions ducksters - Mar 03 2022

web 10 question quiz for webquest or practice print a copy of this quiz at the chemistry chemical reactions webquest print page about this quiz all the questions on this quiz are based on information that can be found at chemistry chemical reactions kids take a quiz on chemistry chemical reactions practice science problems online test and

solutions chemistry webquest rodens classroom answers test - Aug 08 2022

web jun 30 2023 solutions chemistry webquest rodens classroom answers and countless books assortments from fictions to scientific investigationh in any way if you collaborator practice such a referred solutions chemistry webquest rodens classroom answers books that will find the money

solutions chemistry webquest rodens classroom answers pdf - Jun 06 2022

web dec 11 2022 evaluation solutions chemistry webquest rodens classroom answers what you afterward to read the scarecrow s hat ken brown 2000 chicken thinks scarecrow s hat will make a *science quiz chemistry solutions ducksters* - Jan 13 2023

web 10 question quiz for webquest or practice print a copy of this quiz at the chemistry solutions webquest print page about this quiz all the questions on this quiz are based on information that can be found at chemistry solutions kids take a quiz on chemistry solutions practice science problems online test and questions for students and solutions chemistry webquest rodens classroom answers full - Apr 16 2023

web solutions chemistry webquest rodens classroom answers is user friendly in our digital library an online entrance to it is set as public for that reason you can download it instantly our digital library saves in combination countries allowing you to acquire the most less latency period to download any of our books taking into consideration webquest chemistry rodens classroom answers solutions - Feb 14 2023

web webquest chemistry rodens classroom answers solutions it is wholly straightforward then currently we extend the associate to buy and create bargains to obtain and deploy webquest chemistry rodens classroom answers solutions therefore easy if you colleague way such a referred webquest chemistry rodens classroom answers **solutions chemistry webquest answers key** - Jun 18 2023

web solutions chemistry webquest rodens classroom answers april 30th 2018 solutions chemistry webquest rodens classroom answers 100 lab answer key kindle publishing made easy with private **quiz introduction to solutions cliffsnotes** - May 05 2022

web cliffsnotes study guides are written by real teachers and professors so no matter what you re studying cliffsnotes can ease your homework headaches and help you score high on exams

solutions chemistry webquest rodens classroom answers pdf - Nov 11 2022

web may 25 2023 this solutions chemistry webquest rodens classroom answers pdf as one of the most in force sellers here will utterly be along with the best options to review encyclopedia of the sciences of learning norbert m seel 2011 10 05

solutions chemistry webquest answers key - Oct 10 2022

web solutions chemistry webquest rodens classroom answers chemistry solutions webquest answers peterh de solutions webquest polk school april 30th 2018 solutions chemistry webquest rodens classroom answers 100 lab answer key kindle publishing made easy with private label rights 2007 mercury mountaineer is pinging

solutions chemistry webquest rodens classroom answers - Jul 19 2023

web may 2nd 2018 chemistry a2 hodder review answers solutions chemistry webquest rodens classroom answers cd4e automatic transaxle answers to ch 20 biotechnology guide vce accounting units 1 and 2 solutions manual

solutions webquest review quizizz - Aug 20 2023

web solutions webquest review quiz for 9th grade students find other quizzes for chemistry and more on quizizz for free

solutions chemistry webquest answers key - Jul 07 2022

web webquest rodens classroom answers chemistry solutions webquest answer key chemistry solutions webquest answer key

solutions rodens classroom answers solutions webquest west essex regional school district solutions chemistry webquest

answer key sridec de solutions chemistry webquest key