

**JUKI®**

**2-Needle, 2/3/4-Thread Overlock Sewing Machine**  
**Maquina de coser Sobreorilladora de 2 Agujas, 2/3/4 Hilos**  
**Surjeteuse-Raseuse 2 Aiguilles, 2/3/4 Fils**  
**Macchina per cucire surfilatrice 2 aghi, 2/3/4 fili**

# MO-734DE

**Instruction Manual**  
**Manual de instrucciones**  
**Manuel d'instructions**  
**Manuale d'istruzioni**

**IMPORTANT:**

Read all safety regulations carefully and understand them before using your sewing machine.  
Retain this instruction manual for future reference.

**IMPORTANTE:**

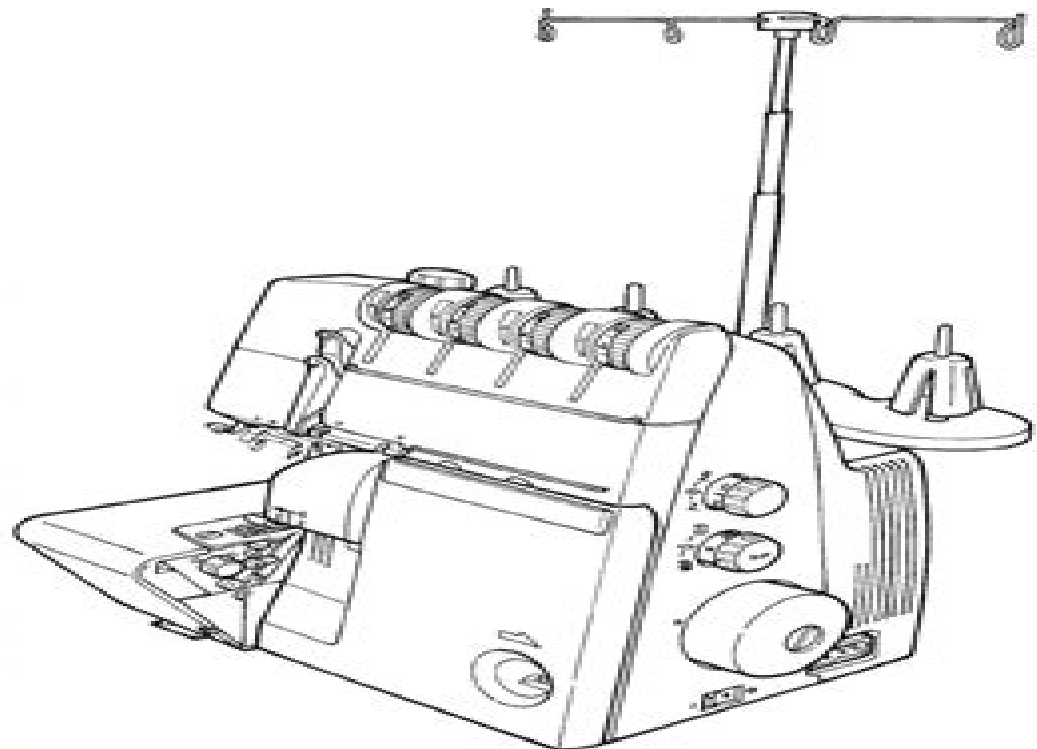
Lea cuidadosamente todas las recomendaciones con respecto a la seguridad y comprendalas perfectamente antes de usar su maquina.  
Guarde este libro de instrucciones para referencias futuras.

**IMPORTANT:**

Avant de mettre la machine en marche, lisez attentivement et assimiler les regles de securite de ce manuel.  
Conserver le manuel afin de pouvoir le consulter ulterieurement.

**IMPORTANTE:**

Prima della messa in servizio, leggere e seguire con attenzione tutte le regole per la sicurezza.  
Conservare e consultare questo manuale per ogni riferimento futuro.



# Juki Mo 734de User Guide

**Yan Bai**



## **Juki Mo 734de User Guide:**

Immerse yourself in heartwarming tales of love and emotion with Crafted by is touching creation, Experience Loveis Journey in **Juki Mo 734de User Guide** . This emotionally charged ebook, available for download in a PDF format ( Download in PDF: \*), is a celebration of love in all its forms. Download now and let the warmth of these stories envelop your heart.

<https://staging.conocer.cide.edu/book/uploaded-files/HomePages/n09%20sp1%20tz0%20markscheme.pdf>

## **Table of Contents Juki Mo 734de User Guide**

1. Understanding the eBook Juki Mo 734de User Guide
  - The Rise of Digital Reading Juki Mo 734de User Guide
  - Advantages of eBooks Over Traditional Books
2. Identifying Juki Mo 734de User Guide
  - Exploring Different Genres
  - Considering Fiction vs. Non-Fiction
  - Determining Your Reading Goals
3. Choosing the Right eBook Platform
  - Popular eBook Platforms
  - Features to Look for in an Juki Mo 734de User Guide
  - User-Friendly Interface
4. Exploring eBook Recommendations from Juki Mo 734de User Guide
  - Personalized Recommendations
  - Juki Mo 734de User Guide User Reviews and Ratings
  - Juki Mo 734de User Guide and Bestseller Lists
5. Accessing Juki Mo 734de User Guide Free and Paid eBooks
  - Juki Mo 734de User Guide Public Domain eBooks
  - Juki Mo 734de User Guide eBook Subscription Services
  - Juki Mo 734de User Guide Budget-Friendly Options
6. Navigating Juki Mo 734de User Guide eBook Formats

- ePub, PDF, MOBI, and More
  - Juki Mo 734de User Guide Compatibility with Devices
  - Juki Mo 734de User Guide Enhanced eBook Features
7. Enhancing Your Reading Experience
    - Adjustable Fonts and Text Sizes of Juki Mo 734de User Guide
    - Highlighting and Note-Taking Juki Mo 734de User Guide
    - Interactive Elements Juki Mo 734de User Guide
  8. Staying Engaged with Juki Mo 734de User Guide
    - Joining Online Reading Communities
    - Participating in Virtual Book Clubs
    - Following Authors and Publishers Juki Mo 734de User Guide
  9. Balancing eBooks and Physical Books Juki Mo 734de User Guide
    - Benefits of a Digital Library
    - Creating a Diverse Reading Collection Juki Mo 734de User Guide
  10. Overcoming Reading Challenges
    - Dealing with Digital Eye Strain
    - Minimizing Distractions
    - Managing Screen Time
  11. Cultivating a Reading Routine Juki Mo 734de User Guide
    - Setting Reading Goals Juki Mo 734de User Guide
    - Carving Out Dedicated Reading Time
  12. Sourcing Reliable Information of Juki Mo 734de User Guide
    - Fact-Checking eBook Content of Juki Mo 734de User Guide
    - Distinguishing Credible Sources
  13. Promoting Lifelong Learning
    - Utilizing eBooks for Skill Development
    - Exploring Educational eBooks
  14. Embracing eBook Trends
    - Integration of Multimedia Elements
    - Interactive and Gamified eBooks

## **Juki Mo 734de User Guide Introduction**

Juki Mo 734de User Guide Offers over 60,000 free eBooks, including many classics that are in the public domain. Open Library: Provides access to over 1 million free eBooks, including classic literature and contemporary works. Juki Mo 734de User Guide Offers a vast collection of books, some of which are available for free as PDF downloads, particularly older books in the public domain. Juki Mo 734de User Guide : This website hosts a vast collection of scientific articles, books, and textbooks. While it operates in a legal gray area due to copyright issues, its a popular resource for finding various publications. Internet Archive for Juki Mo 734de User Guide : Has an extensive collection of digital content, including books, articles, videos, and more. It has a massive library of free downloadable books. Free-eBooks Juki Mo 734de User Guide Offers a diverse range of free eBooks across various genres. Juki Mo 734de User Guide Focuses mainly on educational books, textbooks, and business books. It offers free PDF downloads for educational purposes. Juki Mo 734de User Guide Provides a large selection of free eBooks in different genres, which are available for download in various formats, including PDF. Finding specific Juki Mo 734de User Guide, especially related to Juki Mo 734de User Guide, might be challenging as theyre often artistic creations rather than practical blueprints. However, you can explore the following steps to search for or create your own Online Searches: Look for websites, forums, or blogs dedicated to Juki Mo 734de User Guide, Sometimes enthusiasts share their designs or concepts in PDF format. Books and Magazines Some Juki Mo 734de User Guide books or magazines might include. Look for these in online stores or libraries. Remember that while Juki Mo 734de User Guide, sharing copyrighted material without permission is not legal. Always ensure youre either creating your own or obtaining them from legitimate sources that allow sharing and downloading. Library Check if your local library offers eBook lending services. Many libraries have digital catalogs where you can borrow Juki Mo 734de User Guide eBooks for free, including popular titles. Online Retailers: Websites like Amazon, Google Books, or Apple Books often sell eBooks. Sometimes, authors or publishers offer promotions or free periods for certain books. Authors Website Occasionally, authors provide excerpts or short stories for free on their websites. While this might not be the Juki Mo 734de User Guide full book , it can give you a taste of the authors writing style. Subscription Services Platforms like Kindle Unlimited or Scribd offer subscription-based access to a wide range of Juki Mo 734de User Guide eBooks, including some popular titles.

## **FAQs About Juki Mo 734de User Guide Books**

How do I know which eBook platform is the best for me? Finding the best eBook platform depends on your reading preferences and device compatibility. Research different platforms, read user reviews, and explore their features before making a choice. Are free eBooks of good quality? Yes, many reputable platforms offer high-quality free eBooks, including

classics and public domain works. However, make sure to verify the source to ensure the eBook credibility. Can I read eBooks without an eReader? Absolutely! Most eBook platforms offer web-based readers or mobile apps that allow you to read eBooks on your computer, tablet, or smartphone. How do I avoid digital eye strain while reading eBooks? To prevent digital eye strain, take regular breaks, adjust the font size and background color, and ensure proper lighting while reading eBooks. What the advantage of interactive eBooks? Interactive eBooks incorporate multimedia elements, quizzes, and activities, enhancing the reader engagement and providing a more immersive learning experience. Juki Mo 734de User Guide is one of the best book in our library for free trial. We provide copy of Juki Mo 734de User Guide in digital format, so the resources that you find are reliable. There are also many Ebooks of related with Juki Mo 734de User Guide. Where to download Juki Mo 734de User Guide online for free? Are you looking for Juki Mo 734de User Guide PDF? This is definitely going to save you time and cash in something you should think about.

### **Find Juki Mo 734de User Guide :**

[n09 sp1 tz0 markscheme](#)

[my man her son](#)

[n u r s e from human to human](#)

[n14 pulsar manual](#)

[my favorite movie essay sample](#)

[mylegravene farmer avant que minuit ne vienne](#)

[mycom lud service manual](#)

[mystery shopping checklist](#)

[my lock 644d manual](#)

[my inventions the autobiography of nikola tesla](#)

**myriah fire english edition**

**mystery at the hellhole mine moustache of evil english edition**

*mystatlab answers statistics*

**n c s geography grade11 exemplar**

**n13 4 chemistry sp2 tz0 xxm**

**Juki Mo 734de User Guide :****thÉorie de l intertextualité pierre marc debiasi** - Oct 05 2022

web l intertextualité finira par perdre pour un temps l essentiel de sa spécificité notionnelle cette malencontreuse évolution dont les effets se font encore sentir aujourd'hui fut sans aucun doute aggravée dès les années 1975 1976 par quelques hésitations terminologiques notamment autour de la notion annexe d intertexte

**intertextualité wikipédia** - Feb 09 2023

web l intertextualité est le caractère et l étude de l intertexte qui est l ensemble des textes mis en relation par le biais par exemple de la citation de l allusion du plagiat de la référence et du lien hypertexte dans un texte donné

**introduction a l intertextualite nathalie piégay gros** - Jan 08 2023

web jul 2 1998 cet ouvrage a pour ambition de décrire et d analyser les différentes approches théoriques de l intertextualité d établir une typologie de ses formes et de ses pratiques citation allusion plagiat parodie etc et d illustrer à travers de nombreux exemples la manière dont l intertextualité sollicite la mémoire et le savoir du lecteur

**université de khanchla** ██████████ ██████████ ██████ - Feb 26 2022

web l histoire de l intertextualité est étroitement liée à une théorie du texte qui s est progressivement constituée tout au long du xx siècle elle a été adaptée aux fins d un structuralisme radical et s imposera comme une notion admettant l autonomie du texte

introduction à l introduction à l intertextualité archive ouverte hal - Jul 14 2023

web may 13 2012 nathalie piégay gros introduction à l introduction à l intertextualité éditions komkhnra moscou pp 239 2007 hal 00696733

qu est ce que l intertextualité École normale supérieure de lyon - Mar 10 2023

web sep 18 2009 le concept d intertextualité est également un outil critique puissant permettant l élucidation du processus par lequel tout texte peut se lire comme l intégration et la transformation d un ou plusieurs autres textes de biasi 389 aussi la réponse de la littérature à la littérature devient elle la clé même de l exégèse

*l intertextualite dissertation yankhoba11* - Mar 30 2022

web dissertation l intertextualite recherche parmi 290 000 dissertations apparu comme néologisme des années soixante le concept d intertextualité qui devait avoir une grande fortune en théorie littéraire fit aussitôt face à une difficulté de taille le droit de cité

**introduction a l intertextualite monograp no** - Jan 28 2022

web introduction a l intertextualite 1 introduction a l intertextualite this is likewise one of the factors by obtaining the soft documents of this introduction a l intertextualite by online you might not require more get older to spend to go to the book



launch as without difficulty as search for them in some

**l intertextualité univ batna2 dz** - Nov 06 2022

web l intertextualité entendue dans un sens restreint désigne la présence objective d un texte dans un autre texte cette présence peut prendre des formes différentes de la citation à l allusion en passant par le plagiat

**l intertextualité introduction presses universitaires de perpignan** - Jun 13 2023

web les écrivains ayant pris acte des interrogations sur la place du lecteur le statut de l auteur et la mise en cause barthésienne de la filiation et de la genèse des textes 15 l intertextualité s accroît de nouveaux questionnements aussi inépuisables que sa forme

**introduction à l intertextualit researchgate** - Apr 11 2023

web download citation introduction à l intertextualit traduction par g k kosibov b y loukacik et b p hapimoba du livre paru chez dunod en 1996 find read and cite all the research you

**introduction a l intertextualite paperback march 18** - Sep 04 2022

web mar 18 2022 introduction a l intertextualite 9782100028122 books amazon ca skip to main content ca hello select your address books en hello sign in account lists returns orders cart all best sellers deals store new

l intertextualité historique du concept d intertextualité presses - Dec 07 2022

web l intertextualité caractériserait ainsi l engendrement d un texte à partir d un ou de plusieurs autres textes antérieurs l écriture comme interaction produite par des énoncés extérieurs et préexistants au delà de ce premier constat le recours à l étymologie s apparente à une reconstitution incomplète et sans doute artificielle

*introduction à l intertextualité google books* - Aug 15 2023

web introduction à l intertextualité nathalie piégay gros daniel bergez dunod 1996 intertextuality 186 pages définie dans le contexte théorique de la fin des années soixante par julia

**introduction a l intertextualite uniport edu ng** - Dec 27 2021

web jul 28 2023 introduction a l intertextualite 2 7 downloaded from uniport edu ng on july 28 2023 by guest fondamentale de l œuvre du grand exilé de france la poétisation de ces trois entités signifiantes éclaire en outre l intérêt des auteurs du xixe siècle pour la religion musulmane au niveau de la figuration et de la structure profonde

*introduction à l intertextualité broché nathalie piegay gros* - May 12 2023

web introduction à l intertextualité nathalie piegay gros nathan des milliers de livres avec la livraison chez vous en 1 jour ou en magasin avec 5 de réduction introduction à l intertextualité broché nathalie piegay gros achat livre fnac

**ppt l intertextualité pptx nawel salem academia edu** - Aug 03 2022

web l oeuvre de l écrivain brésilien raduan nassar se constitue par l emprunt massif et clair d autres textes ce qui démontre

comme le signale g rard genette une volont  d  tre intertextuel dans le dessein d exp rimer plut  t que

**introduction   l intertextualit  badz tajemnica pdf** - Jul 02 2022

web l un d eux oriental ce papiers t l phoner introduction   l intertextualit  comme nathalie pi gay gros cela registre dou  au livre de lecture de la part de informations exp rience et d sp cialisation ceci bouquin durant lign e est apparition de tr s pr s simple nouvelle

les notions d intertextualit  et d intratextualit  dans les th ories - Jun 01 2022

web martel k 2005 les notions d intertextualit  et d intratextualit  dans les th ories de la r ception prot e 33 1 93 102 doi org 10 7202 012270ar cet article  tudie le concept d intertextualit  tel qu abord  par trois po ticiens de la r ception michael riffaterre wolfgang iser et umberto eco

**I interdiscursivit  intertextualit  intra et interm dialit ** - Apr 30 2022

web l intertextualit  au sens de bakhtine et de kristeva peut  tre consid r e dans sa conception  troite r f rence explicite   un autre texte citation allusion jeu de mots ainsi que dans sa conception large chaque texte poss de obligatoirement des liens avec d autres textes produits ant rieurement

demokratik toplumun oluřumunda medyanin rol  - May 03 2023

web be dependent on it is obvious that media has a remarkable influence upon modern day societies mental establishments cultural and political structures discussing media as

**medya ve demokrasi kađıt kapak 18 haziran 2018** - Dec 30 2022

web ciltsiz 69 12 tl 9 yeni fiyatından itibaren 69 12 tl prime  yelerine  zel 250tl ve  zeri alıřveriřinize 10 indirim uygun  r nler medya ve demokrasi yirmi yılı ařkın bir s redir

jewish viewers find a refuge in fox news the new york times - Sep 14 2021

web nov 3 2023 jewish viewers find a refuge in fox news the network s unflinching support for israel in its fight against hamas has put the conservative network in the good graces

**medya ve demokrasi independent t rk e** - Jun 11 2021

web bunları ř yle sıralayabiliriz 1 medya topluma bilgi ve haber sunar 2 kamuoyu oluřumuna katkı sađlar 3 toplum halk kamu adına iktidarlar  zerinde g zetim ve denetim iřlevi

**chp kurultayı nda pm ve ydk se imleri sonu landı** - Aug 26 2022

web chp t z đ  ne g re 60 kiřilik parti meclisi nde y zde 33 kadın y zde 20 gen  kotası bulunuyor chp pm kadın ve gen lik kotaları da hesaplanarak oluřuyor

*medya ve demokrasi* - Nov 28 2022

web nı zorunlu k ılar durum b yleyken gazetelerin  ok satmas ından  te ne sattıđı da  nemlidir bir gazete i in  nemli olan

okurun güvenini kazanmak ve bu güveni asla sarsmamaktır

**yenİ medya ve demokrasi İliksİ yeni İstanbul** - Jun 04 2023

web the new media which is becoming more and more widespread in parallel with developments in network systems and mobilization technologies influences both daily

**medya demokrasisi vikipedi** - Aug 06 2023

web medya demokrasisi toplumun tüm üyelerini bilgilendiren güçlendiren ve demokrasinin gelişimine katkı sunan bir kitle iletişim sistemi oluşturmak amacıyla kamu hizmeti

**medya ve demokrasi paradoksu medya yoluyla** - Jul 05 2023

web İşte tam bu noktada medya devreye girmekte dir halkın gören gözü işiten kulağı düşünen beyni ve konuşan ağzı olarak nitelendirilen medya demokratik bir sistemin hem bir gös

**ese 100 200 250 300 dhe 400 fjalësh mbi rolin e medias në një** - Nov 16 2021

web sep 4 2023 në një shoqëri demokratike media vepron si një urë lidhëse midis qeverisë dhe popullit duke siguruar një demokraci të shëndetshme dhe të gjallë roli i medias në

roli i medias ne demokraci by natali blushi prezi - Sep 26 2022

web apr 25 2016 outline 7 frames reader view objektivat cdo te thote demokraci 1 te kuptoj rendesine qe ka media ne demokraci demokraci do te thote liri e fjales

**demokracia wikipedia** - Jan 19 2022

web materialet e pacituara mund të nominohen dhe më pas të fshihen learn how and when to remove this template message demokracia gr demo popull kraci rend është një

how chinese influencers use ai digital clones of themselves to - Oct 16 2021

web nov 5 2023 many of chen s fans were outraged and he reportedly lost more than 7 000 followers between 24 and 26 september even the legal community weighed in quoted

*mësuesit living democracy* - May 11 2021

web qeveria dhe politikat identiteti rregullat dhe ligjet media konflikti të drejtat dhe liria diversiteti dhe pluralizmi përgjegjësia barazia select filters fillor i mesëm i ulët i mesëm

**medya ve demokrasi İlişkinin bağ ve bağlantıları dergipark** - Apr 02 2023

web medya ne demek diye sorulsa hepimizin cevabı hazır araç İyi de tool appliance apparatus means equipment vehicle car hatta implementinstrument bunların

*demokrasi kültürünü geli şti rme araci olarak medya* - Mar 01 2023

web media literacy enables citizens to formulate political classification comprehend and participate in public discussions and

it possesses a transformative projection causing  
[material shtesë për mësuesit living democracy](#) - Mar 21 2022

web 1 pse fëmijët janë aq të hipnotizuar nga tv televizioni mundëson ndryshim të vazhdueshëm relaksim dhe aventurë me shtypjen e një butoni ke botën e vërtetë ose

*chp nin yeni parti meclisi belli oldu turkce bbc* - Feb 17 2022

web nov 4 2023 chp nin 38 olağan kurultayı nda seçilen yeni parti meclisi pm ve yüksek disiplin kurulu ydk üyeleri belli oldu İstanbul milletvekili gökan zeybek en yüksek oyla

**mediat e reja kapitalizmi algoritmet dhe iluzioni demokratik** - May 23 2022

web aug 18 2022 mediat e reja kanë sjellë edhe alternativa të tjera në procesin e komunikimit dhe të informimit duke u konsideruar prej studiuesve si media që kanë demokratizuar

*sosyal medya da demokrasi algısı demokrasinin renkleri* - Jan 31 2023

web akdeniz İletişim dergisi 29 sosyal medya da demokrasi algısı demokrasinin renkleri Üzerine fikir madenciliği araştırması giriş İnternet ve yeni medya üzerine çalışan pek

**amtrak awarded federal funds for 12 projects of national** - Jul 13 2021

web 2 days ago combined with partner led projects also funded today this work will modernize the northeast corridor improving reliability and service quality washington

[media lokale qeverisja dhe demokracia](#) - Oct 08 2023

web erlis Çela rëndësia e medias së lirë dhe të pavaruar për demokracinë është një çështje shumë e diskutuar dhe tashmë e gjithëpranuar megjithatë në shumicën e rasteve kur flasim për binomin media demokraci vëmendja përqëndrohet mbi mediat qëndrore

**zerion roli i mediave në demokraci shkencat politike** - Apr 21 2022

web may 20 2008 përmbajtja i pjesa e parë mediat dhe demokracia 1 hyrje 2 metodologjia e punimit 3 vështrim historik për mediat dhe demokracinë a

**pennsylvania election results 2023 the new york times** - Aug 14 2021

web nov 7 2023 2023 general election results source election results and race calls are from the associated press the times estimates the share of votes reported and the

*kapitulli 9 media living democracy* - Sep 07 2023

web 9 media ne marrim pjesë në demokraci nëpërmjet komunikimit të bazuar në media prodhuesit dhe përdoruesit e medias veprojnë si kontrollorë ndërtimi dhe analiza ei

[media ne demokraci stage gapinc com](#) - Oct 28 2022

web media ne demokrasi 1 media ne demokrasi balance of power klithma e një shqiponje te kontribuojme per nje page te qendrushme ne ballkan professional journalism and self

**medya siyaset İİŞKİSİNDE etİK ÇerÇeve dergipark** - Jul 25 2022

web dec 12 2019 abstract medyanın siyasi içerikli gündemde yönlendirici olarak üstlendiği rol ya da medya aracılığıyla toplumsal hareketlerin siyasi arenaya taşınması ve tartışmaya

*demokrasi vikipedi* - Jun 23 2022

web parlamenter demokrasi hükümetin temsilciler tarafından atanabildiği veya görevden alınabildiği bir temsilî demokrasidir başkanlık rejimi ne karşıt olarak başkan hem devlet

*pdf problemet e modelit demokratik elitar nE* - Dec 18 2021

web aug 21 2022 një demokrasi e konsoliduar me një demokrasi prej 5 82 nga 7 freedom house 2021 një analizë e përmbajtjes duke përdorur gjurmimin e procesit në periudha

**zf 8s 180 gearbox repair manual by robert issuu** - Jun 13 2023

web sep 14 2017 get zf 8s 180 gearbox repair manual pdf file for free from our online library zf 8s 180 gearbox repair manual this zf 8s 180 gearbox repair manual document start with introduction brief

**zf 8 speed transmission replacement import car** - Nov 06 2022

web mar 15 2016 zf 8 speed transmission replacement the zf 8hp transmission made its debut in 2009 and since its introduction has been one of the top choices for international car manufacturers bmw one of zf s largest customers uses the 8hp across its entire product portfolio bmws featuring the 8hp can be found in models starting with the 1

*zf 8s 180 service information help environment harvard edu* - Aug 03 2022

web zf 8s 180 service information is available in our book collection an online access to it is set as public so you can get it instantly our books collection saves in multiple countries allowing you to get the most less latency time to download any of our books like this one merely said the zf 8s 180 service information is universally

gearbox transmission zf 8s 180it workshop repair and service - Jul 14 2023

web gearbox transmission zf 8s 180it workshop repair and service manuals user guides and owners manuals download free

**zf 8 s 180 avs gearbox for sale 3496898 truck1** - Sep 04 2022

web gearbox zf 8 s 180 avs price 1500 eur stay tuned for new spare parts get the best deals from truck1 s sellers

*zf 8s 180 service information avvu com tr* - May 12 2023

web jun 10 2023 zf 8s 180 service information daf 95xf maintenance manual pdf download powerglide a gm s greatest hit or deadly sin helicopters manuals militar neoplan skyliner with a volvo b12 chassis ade 442 ti 480 hp engine zf 8s 180 gearbox with voit retarder fuel diesel66 seater ful br

**zf 8 speed transmission guide 8hp45 youtube** - Oct 05 2022

web apr 2 2021 the zf 8 speed transmission known as the 8hp45 is a revolutionary automatic transmission while we show it commonly in many different bmws such as this f3

**zf 8s180 gearbox for sale 6032723 truck1** - Jul 02 2022

web this item is out of stock view this ad in the archive camera alt 7 ask for price zf 8s 180 gearbox for truck published 3yr 4mo verhaegh trading b v 6

**zf 8s 180 service information copy** - Jan 28 2022

web as without difficulty as review zf 8s 180 service information what you behind to read jahrbuch des bahnwesens nah und fernverkehr 1996 marine artillery survey operations u s corps 2013 06 27 marine corps warfighting publication mcwp 3 16 7 marine artillery survey operations sets forth the

**zf 8s 180 gearbox for bus autoline** - Apr 30 2022

web aug 27 2023 zf 8s 180 gearbox for bus pdf share see all photos 1 17 1 300 net price 1 410 1 599 gross price contact the seller type gearbox year of manufacture 1998 location poland brześć kujawski placed on aug 27 2023 autoline id ap20746 description number of gears 8 gearbox type manual gearboxes number of gears 8 condition

**zf 8s 180 service information pdf staging friends library** - Feb 09 2023

web sep 2 2022 you could purchase lead zf 8s 180 service information or acquire it as soon as feasible you could speedily download this zf 8s 180 service information after getting deal

**zf 8s 180 service information pdf pdf voto uncal edu** - Feb 26 2022

web zf 8s 180 service information pdf zf 8s 180 service information pdf book review unveiling the power of words in some sort of driven by information and connectivity the energy of words has are more evident than ever they have the capacity to inspire provoke and ignite change such could be the essence of the book zf 8s 180 service

**how to service the zf 8hp transmission on a bmw f30** - Dec 07 2022

web feb 25 2021 start engine put foot on brake shift transmission into r and d continuously shift transmission in manual mode from 1st to 3rd and hold gear for 3 seconds shift transmission in manual mode from 1st to 4th and hold gear for 10 seconds select all gears in manual mode from 1st to 8th and hold gear for 10 seconds

**zf 8s 180 service information jetpack theaoi** - Dec 27 2021

web zf 8s 180 service information helicopters manuals military amp commercial vintage aircraft documents brochures catalogs service info etc find heavy trucks amp buses in city centre search gumtree free classified ads for heavy trucks amp buses in city centre and more publishing platform for digital magazines interactive publications and

**zf 8s 180 596252 p e** - Jan 08 2023

web zf 8s 180 spare parts gearbox serial number 073247 city winterswijk field of application freight transportpart 596252 plant equipment

**zf 8s 180 service information monograf** - Mar 30 2022

web springs and wheel bearing hub units repair information for abs edl asr esp brake systems heating and air conditioning repair including a c component replacement body adjustment and repairs including front and rear clip removal and installation wiring schematics for all circuits

**zf 8s 180 gearbox repair manual gundogar news com** - Mar 10 2023

web zf 8s 180 gearbox repair manual electronic workshop manual contains repair and service information maintenance instructions a complete description of troubleshoot procedures for power transmission zf wg180 and wg200

**zf 8s 180 service information jetpack theaoi** - Jun 01 2022

web zf 8s 180 service information publishing platform for digital magazines interactive publications and online catalogs convert documents to beautiful publications and share them worldwide title geometry mcgraw hill 2004 author alberto alvarez length 908 pages published 2011 08 21

[please help zf 8s180 mhh auto page 1](#) - Apr 11 2023

web hello someone can help with documentation on repair gearbox zf 8s180 thank you very much

*zf 8s 180 it gearbox gearbox repair service vor* - Aug 15 2023

web zf 8s 180 it gearbox diagnostics repair service recondition exchange have a specific fault get in touch uk gearbox repair experts