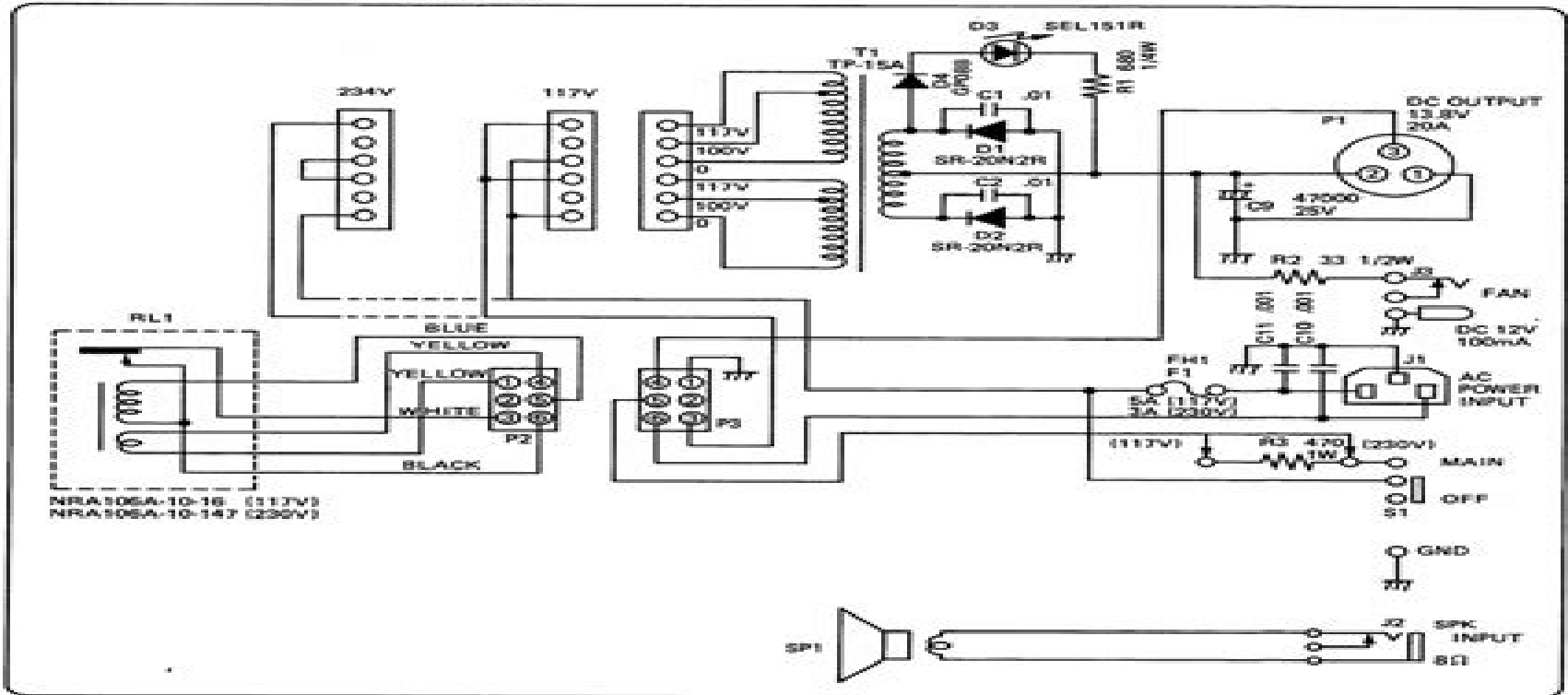




■ IC-701PS SCHEMATIC DIAGRAM



INOUE COMMUNICATION EQUIPMENT CORPORATION  
1-6-19, KAMIKURATSUKURI HIRANO-KU,  
OSAKA JAPAN

# Icom Ps 5user Guide

**J Elliott**



## **Icom Ps 5user Guide:**

**InfoWorld** ,1981-05-11 InfoWorld is targeted to Senior IT professionals Content is segmented into Channels and Topic Centers InfoWorld also celebrates people companies and projects **A Guide to Undergraduate Science Course and Laboratory Improvements** National Science Foundation (U.S.). Directorate for Science Education,1979 *Gas Mileage Guide. California* ,1975 *Security Owner's Stock Guide* Standard and Poor's Corporation,1978 *Amateur Radio* ,1995-02

**Risk management in the cultural heritage sector** Salvatore Lorusso,Andrea Natali,Franco Palla,2017-10-09T00:00:00+02:00 Risk Management in the Cultural Heritage Sector Museums Libraries Archives is the second volume in the Book Series Education and Research in the Sector of Cultural and Environmental Heritage Its contents can be traced preliminarily to a historical overview of the regulatory situation regarding the safety of cultural heritage in Italy and internationally with a consequent discussion of procedures for evaluation and prevention guidelines and security systems in particular in confined environments Attention then focuses on the various types of risk and relevant scientific methodologies comparing methodological paths and monitoring standards established by Italian and International Organisations A number of case studies carried out by the Diagnostic Laboratory for Cultural Heritage of the Department of Cultural Heritage at the Alma Mater Studiorum University of Bologna are examined **Surveillance of language development in pre-school children** Johannes Fellingner,Daniel Holzinger,David Saldaña,2022-12-16 **CQ** ,1993 **PC World** ,1992 *World Radio TV Handbook* ,1992 **AERO TRADER, JUNE 1997** Causey Enterprises, LLC, *The Video Game Explosion* Mark J. P. Wolf,2007-11-30 *The Video Game Explosion A History from PONG to PlayStation and Beyond* traces the growth of a global phenomenon that has become an integral part of popular culture today All aspects of video games and gaming culture are covered inside this engaging reference including the leading video game innovators the technological advances that made the games of the late 1970s and those of today possible the corporations that won and lost billions of dollars pursuing this lucrative market arcade culture as well as the demise of free standing video consoles and the rise of home based and hand held gaming devices In the United States alone the video game industry raked in an astonishing 12.5 billion last year and shows no signs of slowing Once dismissed as a fleeting fad of the young and frivolous this booming industry has not only proven its staying power but promises to continue driving the future of new media and emerging technologies Today video games have become a limitless and multifaceted medium through which Fortune 50 corporations and Hollywood visionaries alike are reaching broader global audiences and influencing cultural trends at a rate unmatched by any other media *The AOPA Pilot* ,1998 *The Software Encyclopedia* ,1988 **Flying Magazine** ,1993-05 *Flying Magazine* ,2001-07 **InfoWorld** ,1990-12-24 InfoWorld is targeted to Senior IT professionals Content is segmented into Channels and Topic Centers InfoWorld also celebrates people companies and projects *Flying Magazine* ,1992-07 *Flying Magazine* ,1999-06 *Flying Magazine* ,2000-07

Thank you very much for downloading **Icom Ps 5user Guide**. Maybe you have knowledge that, people have see numerous times for their favorite books next this Icom Ps 5user Guide, but end stirring in harmful downloads.

Rather than enjoying a fine PDF in the same way as a mug of coffee in the afternoon, then again they juggled later than some harmful virus inside their computer. **Icom Ps 5user Guide** is approachable in our digital library an online entrance to it is set as public for that reason you can download it instantly. Our digital library saves in fused countries, allowing you to get the most less latency times to download any of our books next this one. Merely said, the Icom Ps 5user Guide is universally compatible once any devices to read.

[https://staging.conocer.cide.edu/public/publication/HomePages/land\\_rover\\_defender\\_restoration\\_manual.pdf](https://staging.conocer.cide.edu/public/publication/HomePages/land_rover_defender_restoration_manual.pdf)

## **Table of Contents Icom Ps 5user Guide**

1. Understanding the eBook Icom Ps 5user Guide
  - The Rise of Digital Reading Icom Ps 5user Guide
  - Advantages of eBooks Over Traditional Books
2. Identifying Icom Ps 5user Guide
  - Exploring Different Genres
  - Considering Fiction vs. Non-Fiction
  - Determining Your Reading Goals
3. Choosing the Right eBook Platform
  - Popular eBook Platforms
  - Features to Look for in an Icom Ps 5user Guide
  - User-Friendly Interface
4. Exploring eBook Recommendations from Icom Ps 5user Guide
  - Personalized Recommendations
  - Icom Ps 5user Guide User Reviews and Ratings
  - Icom Ps 5user Guide and Bestseller Lists

5. Accessing Icom Ps 5user Guide Free and Paid eBooks
  - Icom Ps 5user Guide Public Domain eBooks
  - Icom Ps 5user Guide eBook Subscription Services
  - Icom Ps 5user Guide Budget-Friendly Options
6. Navigating Icom Ps 5user Guide eBook Formats
  - ePub, PDF, MOBI, and More
  - Icom Ps 5user Guide Compatibility with Devices
  - Icom Ps 5user Guide Enhanced eBook Features
7. Enhancing Your Reading Experience
  - Adjustable Fonts and Text Sizes of Icom Ps 5user Guide
  - Highlighting and Note-Taking Icom Ps 5user Guide
  - Interactive Elements Icom Ps 5user Guide
8. Staying Engaged with Icom Ps 5user Guide
  - Joining Online Reading Communities
  - Participating in Virtual Book Clubs
  - Following Authors and Publishers Icom Ps 5user Guide
9. Balancing eBooks and Physical Books Icom Ps 5user Guide
  - Benefits of a Digital Library
  - Creating a Diverse Reading Collection Icom Ps 5user Guide
10. Overcoming Reading Challenges
  - Dealing with Digital Eye Strain
  - Minimizing Distractions
  - Managing Screen Time
11. Cultivating a Reading Routine Icom Ps 5user Guide
  - Setting Reading Goals Icom Ps 5user Guide
  - Carving Out Dedicated Reading Time
12. Sourcing Reliable Information of Icom Ps 5user Guide
  - Fact-Checking eBook Content of Icom Ps 5user Guide
  - Distinguishing Credible Sources
13. Promoting Lifelong Learning

- Utilizing eBooks for Skill Development
  - Exploring Educational eBooks
14. Embracing eBook Trends
- Integration of Multimedia Elements
  - Interactive and Gamified eBooks

### **Icom Ps 5user Guide Introduction**

In this digital age, the convenience of accessing information at our fingertips has become a necessity. Whether its research papers, eBooks, or user manuals, PDF files have become the preferred format for sharing and reading documents. However, the cost associated with purchasing PDF files can sometimes be a barrier for many individuals and organizations. Thankfully, there are numerous websites and platforms that allow users to download free PDF files legally. In this article, we will explore some of the best platforms to download free PDFs. One of the most popular platforms to download free PDF files is Project Gutenberg. This online library offers over 60,000 free eBooks that are in the public domain. From classic literature to historical documents, Project Gutenberg provides a wide range of PDF files that can be downloaded and enjoyed on various devices. The website is user-friendly and allows users to search for specific titles or browse through different categories. Another reliable platform for downloading Icom Ps 5user Guide free PDF files is Open Library. With its vast collection of over 1 million eBooks, Open Library has something for every reader. The website offers a seamless experience by providing options to borrow or download PDF files. Users simply need to create a free account to access this treasure trove of knowledge. Open Library also allows users to contribute by uploading and sharing their own PDF files, making it a collaborative platform for book enthusiasts. For those interested in academic resources, there are websites dedicated to providing free PDFs of research papers and scientific articles. One such website is Academia.edu, which allows researchers and scholars to share their work with a global audience. Users can download PDF files of research papers, theses, and dissertations covering a wide range of subjects. Academia.edu also provides a platform for discussions and networking within the academic community. When it comes to downloading Icom Ps 5user Guide free PDF files of magazines, brochures, and catalogs, Issuu is a popular choice. This digital publishing platform hosts a vast collection of publications from around the world. Users can search for specific titles or explore various categories and genres. Issuu offers a seamless reading experience with its user-friendly interface and allows users to download PDF files for offline reading. Apart from dedicated platforms, search engines also play a crucial role in finding free PDF files. Google, for instance, has an advanced search feature that allows users to filter results by file type. By specifying the file type as "PDF," users can find websites that offer free PDF downloads on a specific topic. While downloading Icom Ps 5user Guide free PDF files is convenient, its important to

note that copyright laws must be respected. Always ensure that the PDF files you download are legally available for free. Many authors and publishers voluntarily provide free PDF versions of their work, but its essential to be cautious and verify the authenticity of the source before downloading Icom Ps 5user Guide. In conclusion, the internet offers numerous platforms and websites that allow users to download free PDF files legally. Whether its classic literature, research papers, or magazines, there is something for everyone. The platforms mentioned in this article, such as Project Gutenberg, Open Library, Academia.edu, and Issuu, provide access to a vast collection of PDF files. However, users should always be cautious and verify the legality of the source before downloading Icom Ps 5user Guide any PDF files. With these platforms, the world of PDF downloads is just a click away.

### **FAQs About Icom Ps 5user Guide Books**

How do I know which eBook platform is the best for me? Finding the best eBook platform depends on your reading preferences and device compatibility. Research different platforms, read user reviews, and explore their features before making a choice. Are free eBooks of good quality? Yes, many reputable platforms offer high-quality free eBooks, including classics and public domain works. However, make sure to verify the source to ensure the eBook credibility. Can I read eBooks without an eReader? Absolutely! Most eBook platforms offer web-based readers or mobile apps that allow you to read eBooks on your computer, tablet, or smartphone. How do I avoid digital eye strain while reading eBooks? To prevent digital eye strain, take regular breaks, adjust the font size and background color, and ensure proper lighting while reading eBooks. What the advantage of interactive eBooks? Interactive eBooks incorporate multimedia elements, quizzes, and activities, enhancing the reader engagement and providing a more immersive learning experience. Icom Ps 5user Guide is one of the best book in our library for free trial. We provide copy of Icom Ps 5user Guide in digital format, so the resources that you find are reliable. There are also many Ebooks of related with Icom Ps 5user Guide. Where to download Icom Ps 5user Guide online for free? Are you looking for Icom Ps 5user Guide PDF? This is definitely going to save you time and cash in something you should think about.

### **Find Icom Ps 5user Guide :**

[land rover defender restoration manual](#)

[\*language analysis essay conclusion\*](#)

[\*land rover sat nav manual\*](#)

*land rover discovery 2000 factory service repair manual*

[language and power an introduction to institutional discourse andrea mayr](#)

*landcruiser 105 series 1hz manual*

**land of hope and glory**

[large dog cut out](#)

~~*land rover discovery maintenance schedules*~~

*landi renzo lc01 manual*

*lamour dans le verre le vin*

~~*land rover discovery owners manual 2015*~~

**land rover s1 phone user guide**

~~*larnaque des puissants de ce monde*~~

*lancia phedra service manual*

## **Icom Ps 5user Guide :**

**made by raffi a story for kids who don t fit in babynames com** - Jul 02 2022

web mar 12 2021 *made by raffi* written by craig pomranz and illustrated by margaret chamberlain *made by raffi* is the story of a little boy named raffi who feels different from the other kids at school compared to his classmates his hair is longer his clothes are brighter and he doesn t like the noisy crowded playground

[made by raffi bookreview vidya sury collecting smiles](#) - Mar 30 2022

web apr 20 2018 *r is for raffi* made by raffi is an original children s book written by craig pomranz illustrated by margaret chamberlain and published by frances lincoln publishers *made by raffi* book blurb raffi is a shy boy who doesn t like noisy games and is often teased at school

*made by raffi a children s story about embracing our differences* - Dec 07 2022

web may 31 2021 *made by raffi* is shortlisted for the little rebel children s book award craig pomranz is an internationally known singer song stylist actor and author *made by raffi* is his first children

*made by raffi our q a with craig pomranz newswistle* - Feb 26 2022

web dec 8 2016 *date december 8 2016 hometown st louis current town new york city occupation saloon singer actor song stylist author* so you have a successful career as a cabaret singer performing frequently in nyc and london what made you decide to write a children s book what was your inspiration looking back i realize i always wrote

**geneen roth posts about made by raffi facebook** - Dec 27 2021



web see more of made by raffi on facebook log in or

*made by raffi one of the best children s books i ve facebook* - Nov 06 2022

web one of the best children s books i ve read in recent times thank you vidya sury goo gl eze7jd

**made by raffi youtube** - Sep 04 2022

web mar 26 2020 by craig pomranz and margaret chamberlain

made by raffi booktrust - Aug 03 2022

web made by raffi author craig pomranz illustrator margaret chamberlain publisher frances lincoln children s books raffi is a small shy boy who happens to like bright colours and quiet activities unlike most of his peers he prefers not to spend his lunch break playing football yelling fighting or throwing things so he generally finds

*book review made by raffi happysensitivekids com* - Oct 05 2022

web ade by raffi is a superb children s book about tearing down gender stereotypes this book highlights the beauty and talents of sensitive quiet children the story raffi doesn t like the hustle and bustle of the school playground at break time instead he seeks out a quiet place to sit sound like anyone you know

**made by raffi pomranz craig author free download borrow** - Apr 11 2023

web language english 1 volume unpagged 29 cm as a shy boy raffi is a loner and teased at school until one day he discovers knitting and decides to make a scarf for his father and a cape for the prince in the school play

**made by raffi posts facebook** - Mar 10 2023

web made by raffi posts facebook

*made by raffi facebook* - Aug 15 2023

web made by raffi 247 likes raffi feels different from other kids but when he discovers knitting and sewing everything changes made by raffi

*made by raffi challenging gender stereotypes at an early age* - Jun 13 2023

web jun 15 2021 written by craig pomranz illustrated by margaret chamberlain raffi feels different from the other children at school he doesn t like noise and rowdy play when he discovers the delights of knitting and sewing he stands out even more

**made by raffi amazon com** - Jul 14 2023

web jul 29 2014 so move over ralph lauren christian dior armani versace and even donna karan and coco chanel and make way for everything made by raffi a story that shows embracing your differences acceptance understanding and talents just might make you noticed as someone special and unique

*made by raffi paperback 5 feb 2015 amazon co uk* - Apr 30 2022

web raffi is a shy boy who doesn t like noisy games and is often teased at school but when he gets the idea of making a scarf

for his dad s birthday he is full of enthusiasm even though the other children think it is girly to knit then the day draws near for the school pageant and there is one big problem no costume for the prince

[made by raffi discussion guide merge for equality](#) - Jun 01 2022

web made by raffi by craig pomranz illustrated by margaret chamberlain book summary raffi is a shy boy who doesn t like noisy games and is often teased at school but when he gets the idea of making a scarf for his dad s birthday he is full of enthusiasm even though the other children think it is girly to knit

*made by raffi craig pomranz* - Feb 09 2023

web made by raffi is an original children s book written by craig pomranz illustrated by margaret chamberlain and published by frances lincoln publishers you can find it in local bookstores or order it online raffi is a shy boy who doesn t like noisy games and is often teased at school

**made by raffi a story of a kid who s different** - May 12 2023

web apr 23 2015 made by raffi is based on a true life incident involving my godson when he was eight or nine he asked his mother why he was different was he a tomgirl a little boy made up a term that was not really in use and yet had significant meaning and his question was very layered with other thoughts about the world in which he was being raised

*raffi youtube* - Jan 28 2022

web raffi raffi 65 8k subscribers 114 videos a renowned singer known by his first name alone raffi was a pioneer in quality recordings for children on his independent label troubadour for

*rafya İle tepsi yapımı raffia tray making kendin yap diy* - Jan 08 2023

web rafyatepsiyapımı rafya kendinyap diymerhabalar bu gün rafya ile dekoratif bir tepsi yaptık dışarda çok yüksek fiyatlara satılan bu tepsiyi çok uygun

*maulbeeren wikipedia* - Sep 26 2022

web maulbeeren sind sommergrüne bäume oder sträucher die wuchshöhen von 6 bis 15 meter erreichen sie führen einen weißen milchsaft und haben eine graubraune rinde die blattform kann auch am selben baum beträchtlich variieren

[biologie der bäume digitalefolien de](#) - Jun 04 2023

web bäume sind die größten lebewesen auf dem planet erde ein baum hat einen verholzten stamm während sich ein strauch schon an der basis verzweigt und mehrere verholzte stämmchen ausbildet den obersten teil eines baumes nennt man krone die zweige sind langtriebe die aus den endknospen wachsen oder kurztriebe die aus den

[holz-anatomie wolman](#) - Oct 28 2022

web vom baum zum holz holz-anatomie anatomischer aufbau des holzes um die struktur des holzes besser zu verstehen ist zunächst ein blick in den baum mit seinen differenzierten zellen und sonstigen bestandteilen mit

*baum wikipedia* - Oct 08 2023

web die botanik definiert bäume als ausdauernde und verholzende samenpflanzen die eine dominierende sprossachse aufweisen die durch sekundäres dickenwachstum an umfang zunimmt diese merkmale unterscheiden einen baum von sträuchern farnen palmen und anderen verholzenden pflanzen

**baum portal** - Mar 21 2022

web Öğrenci bilgi sistemi yazılım geliştirme Üniversitemiz öğrencilerinin kayıt dondurma kendi İsteği ile İlişik kesme başka bir Üniversiteye yatay geçiş yapmak İçin İlişik kesme taleplerinin Öğrenci bilgi sisteminden alınabilmesi için gerekli çalışmalar tamamlanmıştır tarih 04 06 2023

*baum anatomie bücher zvab* - Mar 01 2023

web die anatomie des holzes die evolution der bäume ihr forstwirtschaftlicher anbau aber auch die rolle die bäume im glauben und aberglauben aller epochen und kulturen spielten sind ausführlich und anschaulich dargestellt sprache deutsch gewicht in

**holzanatomie wikipedia** - May 03 2023

web die holzanatomie oder xyLOTomie ist ein teilbereich der pflanzenanatomie und der holzforschung forschungsgegenstand ist die beschreibung von makro und mikrostrukturen der verschiedenen holzarten sowie deren auswirkung auf biologische und physikalische holzeigenschaften

**shigo baum anatomie zvab** - Nov 28 2022

web die neue baumbiologie gehört noch immer zum rüstzeug für baumpfleger baumkontrolleure arboristen die neue baumbiologie von alex l shigo autor a new tree biology jutta lang aloys bernatzky wegweiser zu einem besseren verständnis für bäume ihren problemen und ihrer richtiger pflege moderne baumpfleger entstehen und die

**anatomie des baumstammes cjt gym lauf info** - Sep 07 2023

web anatomie des baumstammes der aufbau eines baumstammes von innen nach außen kernholz das tragende element des baumes besteht aus abgestorbenen holzzellen besonders fest durch harze und gerbstoffe splintholz verholzte langgestreckte tote zellen speichern nährstoffe und leiten wasser in die baumkrone

*wie man bäume malt clip studio tips* - Feb 17 2022

web feb 28 2023 baum anatomie lassen sie uns zunächst einen kurzen blick auf die eigenschaften werfen die alle bäume gemeinsam haben ein baum hat einen stamm aus dem Äste sprießen und sich in immer kleinere Äste verzweigen die in einer art blatt enden

*sprossachse aufbau querschnitt und funktion mit video* - Apr 02 2023

web die sprossachse besteht aus grundgewebe festigungsgewebe abschlussgewebe dabei sind epidermis rinde mark und

leitbündel bestandteil der sprossachse Übrigens die begriffe sprossachse und stängel werden im alltag oft synonym verwendet

**baum anatomie zvab** - Jan 31 2023

web die anatomie des holzes die evolution der bäume ihr forstwirtschaftlicher anbau aber auch die rolle die bäume im glauben und aberglauben aller epochen und kulturen spielten sind ausführlich und anschaulich dargestellt sprache deutsch gewicht in

**baum biologie seite de** - Aug 06 2023

web oct 18 2023 ein riesenmammutbaum sequoiadendron giganteum als baum wird im allgemeinen sprachgebrauch eine holzige pflanze verstanden die aus einer wurzel einem daraus emporsteigenden hochgewachsenen stamm und einer belaubten krone besteht

**das 1x1 der baumpflege wohllebens waldakademie** - Jul 25 2022

web du erhältst ein vertieftes verständnis für das lebewesen baum anatomie physiologie körpersprache uvm du lernst welche faktoren die baumgesundheit maßgeblich bestimmen du lernst welche baumpflegemaßnahmen es gibt und was bei deren umsetzung zu beachten ist

blattaufbau funktionen blattquerschnitt laubblatt - Dec 30 2022

web blätter laubblätter bestehen aus unterschiedlichen gewebe mit verschiedenen funktionen schauen wir uns das am aufbau der laubblätter an dafür eignet sich der querschnitt eines laubblattes am besten cuticula kutikula schutz vor wasserverlust epidermis schutz vor äußeren einflüssen und wasserverlust palisadengewebe photosynthese

**baum arten aufbau fortpflanzung studysmarter** - Jul 05 2023

web der baum wird in der botanik als beständige und verholzende samenpflanze verstanden bäume sind aus verschiedenen teilen aufgebaut baum wurzel baumstamm blätter

**die neue baumbiologie shigo alex l 9783878150220 zvab** - Jun 23 2022

web fotos bd 2 184 s maße 150 x 235 mm bäume isbn 10 3 87815 022 9 3878150229 isbn 13 978 3 87815 022 0 9783878150220 die neue baumbiologie fachbegriffe von a bis z 2 bände im schuber von alex l shigo autor fakten fotos und betrachtungen über bäume ihre probleme und ihre richtige pflege a new tree biology jutta lang aloys

baum nedir ne demek - Aug 26 2022

web baum nedir ve baum ne demek sorularına hızlı cevap veren sözlük sayfası baum anlama baum türkçesi baum nnd

**an atlas of animal anatomy for artists google books** - May 23 2022

web for this edition lewis s born of the american museum of natural history collected 25 plates from george stubbs s anatomy of the horse long unavailable straus durckheim s anatomie descriptive

[baum anatomie signiert zvaab](#) - Apr 21 2022

web baum anatomie signiert 4 ergebnisse sie suchten nach erik richter studierte philosophie und sprachen in mailand und münchen wandte sich dann aber der kunst zu lernte anatomie in paris bei robert richter seinem onkel und wurde schüler lovis corinths bei dem er magnus zeller kennenlernte mit dem er freundschaftlich verbunden

[top 10 motherboard laptop repairing chip level courses in](#) - Feb 26 2022

web laptop chip level multitech institute new delhi chip level repairing 3 months kss infotech bangalore chip level sk computer technologies hardware and networking institute chennai mobile phone and laptop chip level 1 month saffron technical institute mumbai 3 chip level training 12 days rs 12500 shri ram institute of

[chiptroniks chip level laptop repairing course](#) - Oct 05 2022

web chip level repairing chiptroniks chip level laptop repairing course is focussed on sound repairing concepts and backed by training on standard and advanced tools basic electronics analog electronics ac dc fundamentals introduction of electricity volt current watt ampere what is pcb circuit type of pcb circuit

**chip level laptop repairs understanding 3 3 5volt circuit** - Jun 13 2023

web mar 17 2023 the 3 3 and 5 volts chip level laptop motherboard repair course is designed for both beginners and professionals seeking to enhance their chip level repair skills while prior knowledge of schematics diagrams is not required it can make the course easier to

**laptop motherboard repair technician course udemy** - Feb 09 2023

web cpu core voltages graphics core voltages vccp vtt vccpsa voltages are covered run voltages vs voltages also includedtroubleshooting lessons gives you a thorough knowledge of the motherboard anyone can repair any motherboard with confidence almost every theory aspects of lessons for learning laptop motherboard repair are included

[computer motherboard repairing crash course for beginners](#) - Mar 10 2023

web computer motherboard repairing crash course for beginners computer hardware technician circuits for beginners chip level repairing electronics basic troubleshooting rating 4 4 out of 5 4 4 14 ratings

[chip level repairing chip level motherboard repairing in delhi](#) - Apr 30 2022

web chip level repairing we provide chip level repairing services like as laptop desktop lcd monitor smps adapter ram hard disk server system barco projection systems printer and cctv cameras etc cctv cctv cameras installation and repairing networking lan wireless lan vpn

[advance mobile chip level repairing course mrmmtti](#) - Mar 30 2022

web in mobile repairing course we are teaching all types of smart phones mechanisms chip level service training and flashing methods all generation 918892200661 info mrmmtti in make an appointment

**learn laptop repairing component level udemy** - Dec 07 2022

web chip level laptop repairing including disassembling identifying components and troubleshooting

**chiplevel laptop repairing training practical youtube** - Jan 08 2023

web chip level laptop repairing training practical online course in english as well as in hindi this video demonstrates how to solve a dead laptop motherboard step by step this a hp 15 u81

**laptop repairing dead laptop repair advanced laptop chip level** - Aug 15 2023

web aug 14 2023 welcome to our youtube channel dedicated to all things laptop chip level repair and diagnostics more more how to repair dead motherboard motherboard chip level repairing

chip level repairing in kolkata india business directory - Dec 27 2021

web chip level repair services megainfosys computer and laptop service center is specialized in repairing and servicing all types of computers and laptops throughout kolkata over a decade we provide the first class services you can get we provide exquisite fast reliable and less highly priced offerings

**top 10 online motherboard laptop repairing chip level** - Jun 01 2022

web top 10 online motherboard laptop repairing chip level courses looking for the best online motherboard laptop repairing chip level course here is a list of the top online platforms offering online motherboard laptop repairing chip level courses

*quora* - Aug 03 2022

web we would like to show you a description here but the site won t allow us

fix a laptop chip level repair 7 easy steps mr vlogger - Jul 14 2023

web jun 16 2023 1 check if the cpu is damaged if you re looking to troubleshoot a cpu issue on your laptop it s important to first check the level of the chip this guide will help you get started with that after checking the level of the chip you ll need to gather some tools and materials before starting repair work prepare for potential setbacks

**ultimate guide to laptop chip level repair 2021 academia edu** - May 12 2023

web we take you from basic electronic to chip level repair we cover the basic working concept of resistor capacitor and mosfet applied to laptop motherboard by the end of the book we will learn the 5 main faults of laptop board and how to solve them

**laptop chip level repairing training course** - Jul 02 2022

web laptop chip level repairing training course content module c1 computer basic hardware for freshers c1 basic computer hardware training short basics of electronics ac dc volt ampear multemeter used measurement fundamentals of computer defination generation classification

*chip level repairing chip level motherboard repairing in india* - Nov 06 2022

web chip level repairing chip level motherboard repairing providers in india get contact details and address of chip level repairing chip level motherboard repairing motherboard chip level repairing firms and companies

**home ecs technologies** - Jan 28 2022

web looking for the best laptop chip level repair training in hyderabad look no further our experienced faculty members provide hands on training using the latest tools and equipment preparing you for a successful career in laptop repair

chip level repairing tool short killer amazing tool chip level - Apr 11 2023

web oct 10 2021 contact us or send your laptops to dinesh yadavphone 918800428011engineers choice pvt ltd 304 a hemkunt chambers building no 89 nehru place new delhi

**chiplevels youtube** - Sep 04 2022

web welcome to chiplevels the ultimate destination for all things related to laptop repair mobile repair computer repair computer hardware training chip level laptop repairing mobile