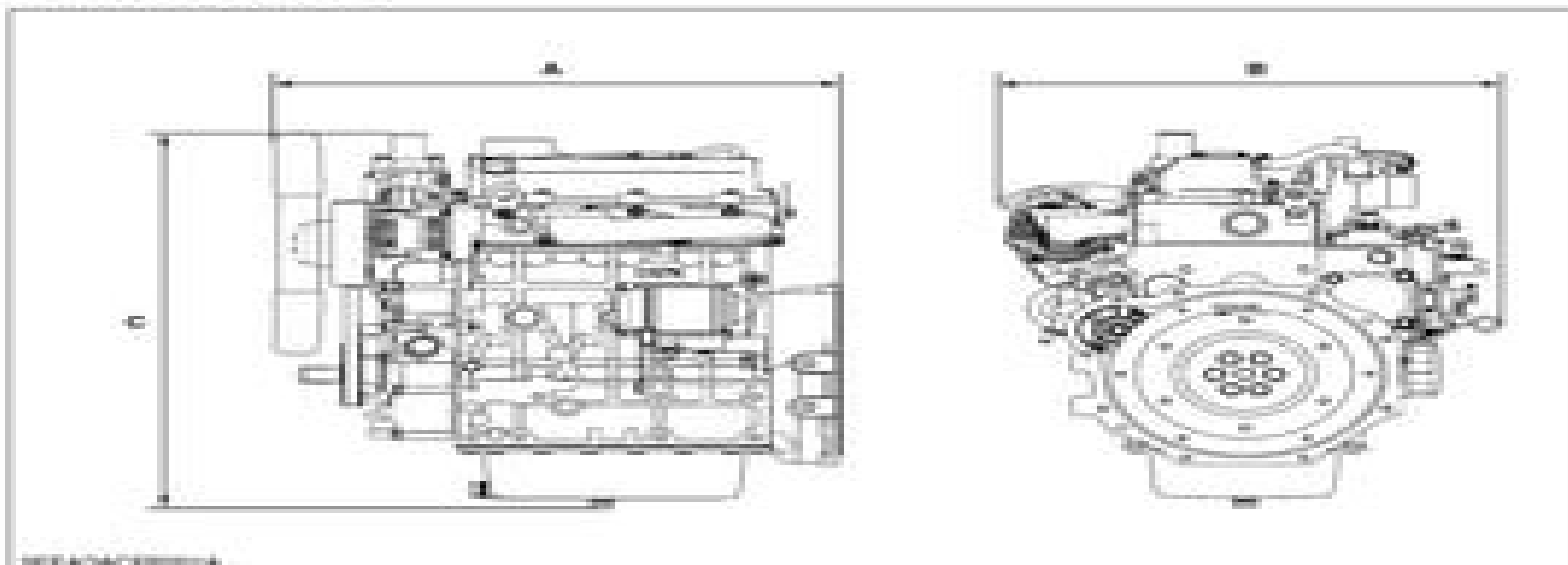


DIMENSIONS



REGOLAMENTO

	D-1503-M	D-1703-M	D-1803-M
A	567.0 mm (22.32 in.)	590.0 mm (23.23 in.)	590.0 mm (23.23 in.)
B	512.0 mm (20.16 in.)	480.0 mm (18.90 in.)	480.0 mm (18.90 in.)
C	643.0 mm (25.31 in.)	643.0 mm (25.31 in.)	648.0 mm (25.51 in.)

W1021048

Kubota 03 M E3bg Series Diesel Engine Service Repair Manual

RM Cervero



Kubota 03 M E3bg Series Diesel Engine Service Repair Manual:

Fuel your quest for knowledge with Authored by is thought-provoking masterpiece, Dive into the World of **Kubota 03 M E3bg Series Diesel Engine Service Repair Manual** . This educational ebook, conveniently sized in PDF (*), is a gateway to personal growth and intellectual stimulation. Immerse yourself in the enriching content curated to cater to every eager mind. Download now and embark on a learning journey that promises to expand your horizons. .

https://staging.conocer.cide.edu/files/detail/Download_PDFS/fundamentals%20of%20structural%20analysis%203rd%20edition.pdf

Table of Contents Kubota 03 M E3bg Series Diesel Engine Service Repair Manual

1. Understanding the eBook Kubota 03 M E3bg Series Diesel Engine Service Repair Manual
 - The Rise of Digital Reading Kubota 03 M E3bg Series Diesel Engine Service Repair Manual
 - Advantages of eBooks Over Traditional Books
2. Identifying Kubota 03 M E3bg Series Diesel Engine Service Repair Manual
 - Exploring Different Genres
 - Considering Fiction vs. Non-Fiction
 - Determining Your Reading Goals
3. Choosing the Right eBook Platform
 - Popular eBook Platforms
 - Features to Look for in an Kubota 03 M E3bg Series Diesel Engine Service Repair Manual
 - User-Friendly Interface
4. Exploring eBook Recommendations from Kubota 03 M E3bg Series Diesel Engine Service Repair Manual
 - Personalized Recommendations
 - Kubota 03 M E3bg Series Diesel Engine Service Repair Manual User Reviews and Ratings
 - Kubota 03 M E3bg Series Diesel Engine Service Repair Manual and Bestseller Lists
5. Accessing Kubota 03 M E3bg Series Diesel Engine Service Repair Manual Free and Paid eBooks
 - Kubota 03 M E3bg Series Diesel Engine Service Repair Manual Public Domain eBooks
 - Kubota 03 M E3bg Series Diesel Engine Service Repair Manual eBook Subscription Services

- Kubota 03 M E3bg Series Diesel Engine Service Repair Manual Budget-Friendly Options
- 6. Navigating Kubota 03 M E3bg Series Diesel Engine Service Repair Manual eBook Formats
 - ePub, PDF, MOBI, and More
 - Kubota 03 M E3bg Series Diesel Engine Service Repair Manual Compatibility with Devices
 - Kubota 03 M E3bg Series Diesel Engine Service Repair Manual Enhanced eBook Features
- 7. Enhancing Your Reading Experience
 - Adjustable Fonts and Text Sizes of Kubota 03 M E3bg Series Diesel Engine Service Repair Manual
 - Highlighting and Note-Taking Kubota 03 M E3bg Series Diesel Engine Service Repair Manual
 - Interactive Elements Kubota 03 M E3bg Series Diesel Engine Service Repair Manual
- 8. Staying Engaged with Kubota 03 M E3bg Series Diesel Engine Service Repair Manual
 - Joining Online Reading Communities
 - Participating in Virtual Book Clubs
 - Following Authors and Publishers Kubota 03 M E3bg Series Diesel Engine Service Repair Manual
- 9. Balancing eBooks and Physical Books Kubota 03 M E3bg Series Diesel Engine Service Repair Manual
 - Benefits of a Digital Library
 - Creating a Diverse Reading Collection Kubota 03 M E3bg Series Diesel Engine Service Repair Manual
- 10. Overcoming Reading Challenges
 - Dealing with Digital Eye Strain
 - Minimizing Distractions
 - Managing Screen Time
- 11. Cultivating a Reading Routine Kubota 03 M E3bg Series Diesel Engine Service Repair Manual
 - Setting Reading Goals Kubota 03 M E3bg Series Diesel Engine Service Repair Manual
 - Carving Out Dedicated Reading Time
- 12. Sourcing Reliable Information of Kubota 03 M E3bg Series Diesel Engine Service Repair Manual
 - Fact-Checking eBook Content of Kubota 03 M E3bg Series Diesel Engine Service Repair Manual
 - Distinguishing Credible Sources
- 13. Promoting Lifelong Learning
 - Utilizing eBooks for Skill Development
 - Exploring Educational eBooks
- 14. Embracing eBook Trends

- Integration of Multimedia Elements
- Interactive and Gamified eBooks

Kubota 03 M E3bg Series Diesel Engine Service Repair Manual Introduction

Kubota 03 M E3bg Series Diesel Engine Service Repair Manual Offers over 60,000 free eBooks, including many classics that are in the public domain. Open Library: Provides access to over 1 million free eBooks, including classic literature and contemporary works. Kubota 03 M E3bg Series Diesel Engine Service Repair Manual Offers a vast collection of books, some of which are available for free as PDF downloads, particularly older books in the public domain. Kubota 03 M E3bg Series Diesel Engine Service Repair Manual : This website hosts a vast collection of scientific articles, books, and textbooks. While it operates in a legal gray area due to copyright issues, its a popular resource for finding various publications. Internet Archive for Kubota 03 M E3bg Series Diesel Engine Service Repair Manual : Has an extensive collection of digital content, including books, articles, videos, and more. It has a massive library of free downloadable books. Free-eBooks Kubota 03 M E3bg Series Diesel Engine Service Repair Manual Offers a diverse range of free eBooks across various genres. Kubota 03 M E3bg Series Diesel Engine Service Repair Manual Focuses mainly on educational books, textbooks, and business books. It offers free PDF downloads for educational purposes. Kubota 03 M E3bg Series Diesel Engine Service Repair Manual Provides a large selection of free eBooks in different genres, which are available for download in various formats, including PDF. Finding specific Kubota 03 M E3bg Series Diesel Engine Service Repair Manual, especially related to Kubota 03 M E3bg Series Diesel Engine Service Repair Manual, might be challenging as theyre often artistic creations rather than practical blueprints. However, you can explore the following steps to search for or create your own Online Searches: Look for websites, forums, or blogs dedicated to Kubota 03 M E3bg Series Diesel Engine Service Repair Manual, Sometimes enthusiasts share their designs or concepts in PDF format. Books and Magazines Some Kubota 03 M E3bg Series Diesel Engine Service Repair Manual books or magazines might include. Look for these in online stores or libraries. Remember that while Kubota 03 M E3bg Series Diesel Engine Service Repair Manual, sharing copyrighted material without permission is not legal. Always ensure youre either creating your own or obtaining them from legitimate sources that allow sharing and downloading. Library Check if your local library offers eBook lending services. Many libraries have digital catalogs where you can borrow Kubota 03 M E3bg Series Diesel Engine Service Repair Manual eBooks for free, including popular titles. Online Retailers: Websites like Amazon, Google Books, or Apple Books often sell eBooks. Sometimes, authors or publishers offer promotions or free periods for certain books. Authors Website Occasionally, authors provide excerpts or short stories for free on their websites. While this might not be the Kubota 03 M E3bg Series Diesel Engine Service Repair Manual full book , it can give you a taste of the authors writing style. Subscription Services Platforms like Kindle Unlimited or Scribd offer subscription-

based access to a wide range of Kubota 03 M E3bg Series Diesel Engine Service Repair Manual eBooks, including some popular titles.

FAQs About Kubota 03 M E3bg Series Diesel Engine Service Repair Manual Books

1. Where can I buy Kubota 03 M E3bg Series Diesel Engine Service Repair Manual books? Bookstores: Physical bookstores like Barnes & Noble, Waterstones, and independent local stores. Online Retailers: Amazon, Book Depository, and various online bookstores offer a wide range of books in physical and digital formats.
2. What are the different book formats available? Hardcover: Sturdy and durable, usually more expensive. Paperback: Cheaper, lighter, and more portable than hardcovers. E-books: Digital books available for e-readers like Kindle or software like Apple Books, Kindle, and Google Play Books.
3. How do I choose a Kubota 03 M E3bg Series Diesel Engine Service Repair Manual book to read? Genres: Consider the genre you enjoy (fiction, non-fiction, mystery, sci-fi, etc.). Recommendations: Ask friends, join book clubs, or explore online reviews and recommendations. Author: If you like a particular author, you might enjoy more of their work.
4. How do I take care of Kubota 03 M E3bg Series Diesel Engine Service Repair Manual books? Storage: Keep them away from direct sunlight and in a dry environment. Handling: Avoid folding pages, use bookmarks, and handle them with clean hands. Cleaning: Gently dust the covers and pages occasionally.
5. Can I borrow books without buying them? Public Libraries: Local libraries offer a wide range of books for borrowing. Book Swaps: Community book exchanges or online platforms where people exchange books.
6. How can I track my reading progress or manage my book collection? Book Tracking Apps: Goodreads, LibraryThing, and Book Catalogue are popular apps for tracking your reading progress and managing book collections. Spreadsheets: You can create your own spreadsheet to track books read, ratings, and other details.
7. What are Kubota 03 M E3bg Series Diesel Engine Service Repair Manual audiobooks, and where can I find them? Audiobooks: Audio recordings of books, perfect for listening while commuting or multitasking. Platforms: Audible, LibriVox, and Google Play Books offer a wide selection of audiobooks.
8. How do I support authors or the book industry? Buy Books: Purchase books from authors or independent bookstores. Reviews: Leave reviews on platforms like Goodreads or Amazon. Promotion: Share your favorite books on social media or recommend them to friends.
9. Are there book clubs or reading communities I can join? Local Clubs: Check for local book clubs in libraries or

community centers. Online Communities: Platforms like Goodreads have virtual book clubs and discussion groups.

10. Can I read Kubota 03 M E3bg Series Diesel Engine Service Repair Manual books for free? Public Domain Books: Many classic books are available for free as they're in the public domain. Free E-books: Some websites offer free e-books legally, like Project Gutenberg or Open Library.

Find Kubota 03 M E3bg Series Diesel Engine Service Repair Manual :

fundamentals of structural analysis 3rd edition

funza lushaka responds when

~~fundamentals of machine elements third edition~~

furuno gp 7000 user guide

functions in crystal report

fuse box diagram 98 diamante

furuno radar service manual navnet rdp 148

fundamentals of corporate finance asia global edition

~~further mathematics 8360 practice paper set 4~~

fundamentals of thermodynamics 7th edition solution manual

fundamentals hesi practice questions

furukawa w735 manual

~~fundamentals rotating machinery diagnostics manufacturing~~

fundamentals of corporate finance exam questions

funny retirement speeches for nurses

Kubota 03 M E3bg Series Diesel Engine Service Repair Manual :

Australia Informative Speech Outline Oct 11, 2012 — I. Imagine arriving at a new country and being asked this question.

Since Australia is in the southern hemisphere does the compass point the ... Australian Culture Informative Speech Australia Persuasive Speech ... Ah Australia. The land of opportunity. The land of freedom and equality. The land of wealth and good health. The lucky country. Informative Speech outline.docx - Australian Cockroach... Specific Purpose: To inform my audience about Australian Cockroach Racing's history, basic rules of the Australian Day Cockroach racing event, and values ...

Informative Speech Outline for Aussie's.docx - Turner 1... Turner 1 "Australian Shepherds: My Aussie Cooper" Crystal Turner

Introduction I.Attention Catcher: Discuss intelligence of Australian Shepherds. II. Informative Speech Template Start with this, not your name, speech title, or speech topic. II. Introduce topic and motivate audience to listen (relate importance of topic to your audience):. John Flynn Informative Speech - 803 Words John Flynn Informative Speech ; The Australian Healthcare System Has Been Evolving Since The Beginning Of The Colonisation Of Australia. 1596 Words ; Essay Jfk ... Informative Speech Outline (1) (docx) May 22, 2023 — Communications document from Central Piedmont Community College, 3 pages, Informative Speech Outline Specific Purpose: I will inform the ... Informative Speech Sample Outline Introduction Speech Outline that serves as a guide for putting together an introduction speech informative speech outline your name topic: the destruction of. Informative Speech - Australian Cattle Dogs Informative Speech - Australian Cattle Dogs ... A stunning, colorful training presentation template for healthcare professionals will engage trainees from... CS Customer Service SAP ERP Central Component As of SAP ECC 6.0 (SAP_APPL 600), the structure of the Implementation Guide (IMG) for the component Plant Maintenance and Customer Service has changed. To ... Customer Service Module Customer Service Module provides your customer service agents (CSAs) with easy and fast access to the information needed to understand and quickly resolve ... Service Management in SAP with Customer ... Sep 30, 2019 — Customer Service Module with in SAP Core ERP enables to manage a wide range of service scenarios starting from pre-sales, sales and post-sales. CS User Manual | PDF | Computing | Software CS User Manual - Free download as PDF File (.pdf), Text File (.txt) or read online for free. CUSTOMER SERVICE MODULE SAP ECC 6. USER MANUAL SAP CS Module ... About Customer Service Module Customer Service Module provides your customer service agents (CSAs) with easy and fast access to the information needed to understand and quickly resolve ... Customer Service (CS) Apr 2, 2001 — The following documentation displays the organization of the Customer Service in IDES as well as the embedding of this service organization into ... SAP Customer Service | PDF | String (Computer Science) SAP Customer Service - Free download as Word Doc (.doc), PDF File (.pdf), Text File (.txt) or read online for free. Basic SAP CS Configuration Document. SAP Customer Service (CS/SM) In this exciting introduction to the SAP Customer service module you will learn all about how service management works in SAP as we cover the four primary real ... Customer Service (CS) □ summarize the master data which is most important for the CS module. □ explain standard processes of the Customer Service. Page 5. © 2019 SAP SE / SAP ... SAP Customer Service Overview - YouTube Business 111: Principles of Supervision Final Exam Test and improve your knowledge of Business 111: Principles of Supervision with fun multiple choice exams you can take online with Study.com. Supervisory Management Quizzes, Questions & Answers Are you ready to test your knowledge and explore the essential skills and concepts of effective supervision? In this quiz, we'll delve into the world of ... Free Supervisory Situational Judgment Test Practice Guide ... On this page, you will find free Supervisory Situational Judgment Test questions along with general test-related information. Supervisor Assessment Test Preparation and Study Guides You will face questions that measure your comprehension of the

principles, behaviors and practices of successful supervisors. The focus is on leadership. In the ... Supervision (Test Questions & Answers) Flashcards Study with Quizlet and memorize flashcards containing terms like What refers to defining goals, establishing strategies to achieve them and designing ways ... Supervisor Training Questions Supervisor Training Questions. 1. Effective supervisors a ... By answering these test questions, I confirm that I have completed the Supervision Training. Preparing for the Supervisor 3 Exam: Check Your ... This is an optional self-assessment tool to help you prepare for the Supervisor 3 exam. It does not guarantee success or failure of the Civil Service exam, ... Test exam Safety for Operational Supervisors This examination is comprised of 40 multiple-choice questions. Each question is followed by three possible answers, of which only one is correct. First Line Supervisor Test to Assess and Hire Supervisor This first line supervisor test may contain MCQs (Multiple Choice Questions) ... Mechanical Aptitude - 15 Questions, 17 minutes. Useful for hiring. First Line ...