

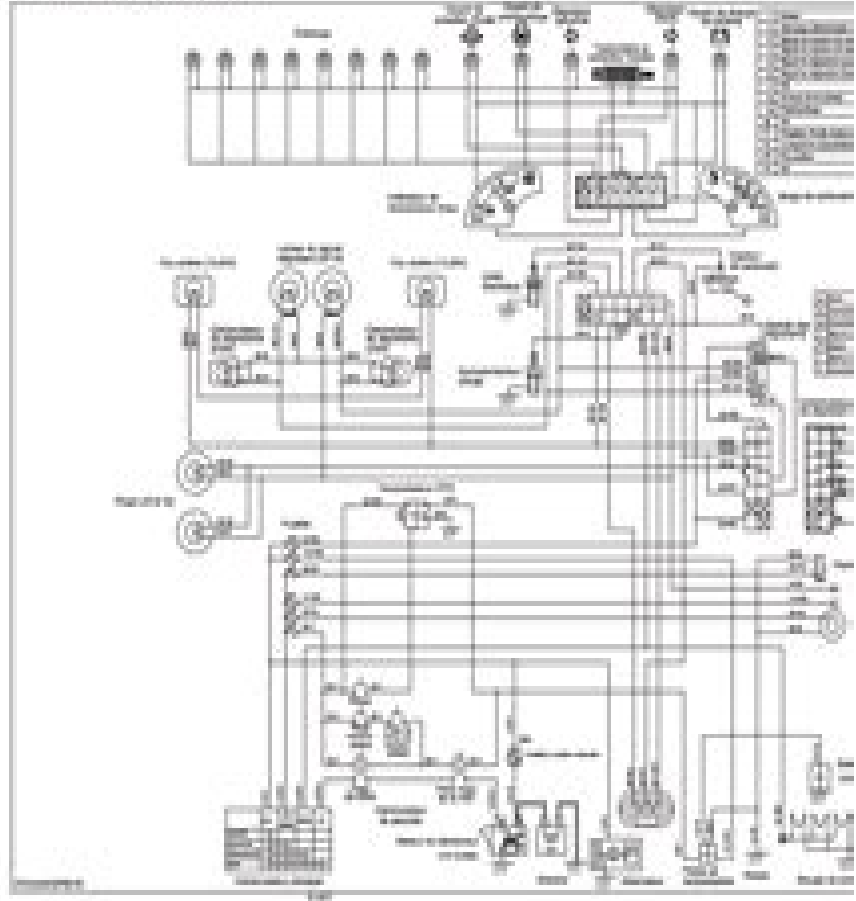
- 1. GÉNÉRALITÉS
- 2. MOTEUR
- 3. BOITE-AUTOMAT
- 4. COULEUR
- 5. SYSTÈME HYDRAULIQUE
- 6. SYSTÈME ÉLECTRIQUE
- 7. TORQUE
- 8. CHASSIS AVANT

MÉCANISME

TABLE DES MATIÈRES

1. GÉNÉRALITÉS	000
2. MOTEUR	000
3. BOITE-AUTOMAT	000
4. COULEUR	000
5. SYSTÈME HYDRAULIQUE	000
6. SYSTÈME ÉLECTRIQUE	000
7. TORQUE	000
8. CHASSIS AVANT	000

1. SCHEMA DE CABLAGE



Kubota 2360 Service Manual

Thomas Griffiths



Kubota 2360 Service Manual:

Eventually, you will agreed discover a supplementary experience and exploit by spending more cash. still when? reach you receive that you require to get those all needs in the manner of having significantly cash? Why dont you attempt to get something basic in the beginning? Thats something that will guide you to understand even more vis--vis the globe, experience, some places, like history, amusement, and a lot more?

It is your totally own become old to behave reviewing habit. in the midst of guides you could enjoy now is **Kubota 2360 Service Manual** below.

https://staging.conocer.cide.edu/public/book-search/Documents/extendable_low_bed_trailer_operation_manual.pdf

Table of Contents Kubota 2360 Service Manual

1. Understanding the eBook Kubota 2360 Service Manual
 - The Rise of Digital Reading Kubota 2360 Service Manual
 - Advantages of eBooks Over Traditional Books
2. Identifying Kubota 2360 Service Manual
 - Exploring Different Genres
 - Considering Fiction vs. Non-Fiction
 - Determining Your Reading Goals
3. Choosing the Right eBook Platform
 - Popular eBook Platforms
 - Features to Look for in an Kubota 2360 Service Manual
 - User-Friendly Interface
4. Exploring eBook Recommendations from Kubota 2360 Service Manual
 - Personalized Recommendations
 - Kubota 2360 Service Manual User Reviews and Ratings
 - Kubota 2360 Service Manual and Bestseller Lists
5. Accessing Kubota 2360 Service Manual Free and Paid eBooks

- Kubota 2360 Service Manual Public Domain eBooks
 - Kubota 2360 Service Manual eBook Subscription Services
 - Kubota 2360 Service Manual Budget-Friendly Options
6. Navigating Kubota 2360 Service Manual eBook Formats
 - ePub, PDF, MOBI, and More
 - Kubota 2360 Service Manual Compatibility with Devices
 - Kubota 2360 Service Manual Enhanced eBook Features
 7. Enhancing Your Reading Experience
 - Adjustable Fonts and Text Sizes of Kubota 2360 Service Manual
 - Highlighting and Note-Taking Kubota 2360 Service Manual
 - Interactive Elements Kubota 2360 Service Manual
 8. Staying Engaged with Kubota 2360 Service Manual
 - Joining Online Reading Communities
 - Participating in Virtual Book Clubs
 - Following Authors and Publishers Kubota 2360 Service Manual
 9. Balancing eBooks and Physical Books Kubota 2360 Service Manual
 - Benefits of a Digital Library
 - Creating a Diverse Reading Collection Kubota 2360 Service Manual
 10. Overcoming Reading Challenges
 - Dealing with Digital Eye Strain
 - Minimizing Distractions
 - Managing Screen Time
 11. Cultivating a Reading Routine Kubota 2360 Service Manual
 - Setting Reading Goals Kubota 2360 Service Manual
 - Carving Out Dedicated Reading Time
 12. Sourcing Reliable Information of Kubota 2360 Service Manual
 - Fact-Checking eBook Content of Kubota 2360 Service Manual
 - Distinguishing Credible Sources
 13. Promoting Lifelong Learning
 - Utilizing eBooks for Skill Development

- Exploring Educational eBooks
- 14. Embracing eBook Trends
 - Integration of Multimedia Elements
 - Interactive and Gamified eBooks

Kubota 2360 Service Manual Introduction

In today's digital age, the availability of Kubota 2360 Service Manual books and manuals for download has revolutionized the way we access information. Gone are the days of physically flipping through pages and carrying heavy textbooks or manuals. With just a few clicks, we can now access a wealth of knowledge from the comfort of our own homes or on the go. This article will explore the advantages of Kubota 2360 Service Manual books and manuals for download, along with some popular platforms that offer these resources. One of the significant advantages of Kubota 2360 Service Manual books and manuals for download is the cost-saving aspect. Traditional books and manuals can be costly, especially if you need to purchase several of them for educational or professional purposes. By accessing Kubota 2360 Service Manual versions, you eliminate the need to spend money on physical copies. This not only saves you money but also reduces the environmental impact associated with book production and transportation. Furthermore, Kubota 2360 Service Manual books and manuals for download are incredibly convenient. With just a computer or smartphone and an internet connection, you can access a vast library of resources on any subject imaginable. Whether you're a student looking for textbooks, a professional seeking industry-specific manuals, or someone interested in self-improvement, these digital resources provide an efficient and accessible means of acquiring knowledge. Moreover, PDF books and manuals offer a range of benefits compared to other digital formats. PDF files are designed to retain their formatting regardless of the device used to open them. This ensures that the content appears exactly as intended by the author, with no loss of formatting or missing graphics. Additionally, PDF files can be easily annotated, bookmarked, and searched for specific terms, making them highly practical for studying or referencing. When it comes to accessing Kubota 2360 Service Manual books and manuals, several platforms offer an extensive collection of resources. One such platform is Project Gutenberg, a nonprofit organization that provides over 60,000 free eBooks. These books are primarily in the public domain, meaning they can be freely distributed and downloaded. Project Gutenberg offers a wide range of classic literature, making it an excellent resource for literature enthusiasts. Another popular platform for Kubota 2360 Service Manual books and manuals is Open Library. Open Library is an initiative of the Internet Archive, a non-profit organization dedicated to digitizing cultural artifacts and making them accessible to the public. Open Library hosts millions of books, including both public domain works and contemporary titles. It also allows users to borrow digital copies of certain books for a limited period, similar to a library lending system. Additionally, many universities

and educational institutions have their own digital libraries that provide free access to PDF books and manuals. These libraries often offer academic texts, research papers, and technical manuals, making them invaluable resources for students and researchers. Some notable examples include MIT OpenCourseWare, which offers free access to course materials from the Massachusetts Institute of Technology, and the Digital Public Library of America, which provides a vast collection of digitized books and historical documents. In conclusion, Kubota 2360 Service Manual books and manuals for download have transformed the way we access information. They provide a cost-effective and convenient means of acquiring knowledge, offering the ability to access a vast library of resources at our fingertips. With platforms like Project Gutenberg, Open Library, and various digital libraries offered by educational institutions, we have access to an ever-expanding collection of books and manuals. Whether for educational, professional, or personal purposes, these digital resources serve as valuable tools for continuous learning and self-improvement. So why not take advantage of the vast world of Kubota 2360 Service Manual books and manuals for download and embark on your journey of knowledge?

FAQs About Kubota 2360 Service Manual Books

1. Where can I buy Kubota 2360 Service Manual books? Bookstores: Physical bookstores like Barnes & Noble, Waterstones, and independent local stores. Online Retailers: Amazon, Book Depository, and various online bookstores offer a wide range of books in physical and digital formats.
2. What are the different book formats available? Hardcover: Sturdy and durable, usually more expensive. Paperback: Cheaper, lighter, and more portable than hardcovers. E-books: Digital books available for e-readers like Kindle or software like Apple Books, Kindle, and Google Play Books.
3. How do I choose a Kubota 2360 Service Manual book to read? Genres: Consider the genre you enjoy (fiction, non-fiction, mystery, sci-fi, etc.). Recommendations: Ask friends, join book clubs, or explore online reviews and recommendations. Author: If you like a particular author, you might enjoy more of their work.
4. How do I take care of Kubota 2360 Service Manual books? Storage: Keep them away from direct sunlight and in a dry environment. Handling: Avoid folding pages, use bookmarks, and handle them with clean hands. Cleaning: Gently dust the covers and pages occasionally.
5. Can I borrow books without buying them? Public Libraries: Local libraries offer a wide range of books for borrowing. Book Swaps: Community book exchanges or online platforms where people exchange books.
6. How can I track my reading progress or manage my book collection? Book Tracking Apps: Goodreads, LibraryThing,

and Book Catalogue are popular apps for tracking your reading progress and managing book collections. Spreadsheets: You can create your own spreadsheet to track books read, ratings, and other details.

7. What are Kubota 2360 Service Manual audiobooks, and where can I find them? Audiobooks: Audio recordings of books, perfect for listening while commuting or multitasking. Platforms: Audible, LibriVox, and Google Play Books offer a wide selection of audiobooks.
8. How do I support authors or the book industry? Buy Books: Purchase books from authors or independent bookstores. Reviews: Leave reviews on platforms like Goodreads or Amazon. Promotion: Share your favorite books on social media or recommend them to friends.
9. Are there book clubs or reading communities I can join? Local Clubs: Check for local book clubs in libraries or community centers. Online Communities: Platforms like Goodreads have virtual book clubs and discussion groups.
10. Can I read Kubota 2360 Service Manual books for free? Public Domain Books: Many classic books are available for free as they're in the public domain. Free E-books: Some websites offer free e-books legally, like Project Gutenberg or Open Library.

Find Kubota 2360 Service Manual :

extendable low bed trailer operation manual

export essentials september 2014 pulse trade data

exponent place value chart

f29business studies questions and answers

exploring psychology 8th edition myers

~~expresate textbook answers~~

[expressions de base francce dilais roumain bavardage mondial](#)

expressi coffee machine instructions

~~exponential functions equations and inequalities test key~~

extended similes for soccer

[ezgo shuttle 6 service manual](#)

exploring the theory pedagogy and practice of networked learning

[eyewitness travel guide australia](#)

explore learning ionic bonds answer key

extended metaphor for a bully

Kubota 2360 Service Manual :

operating system by ia dhotre pdf gccca - Feb 10 2023

web operations such as engine and break mechanisms in cars traffic light and air traffic control and heart beat and blood pressure monitoring this book includes 15 chapters arranged in 4 sections architecture

operating system by ia dhotre help environment harvard edu - Nov 07 2022

web operating system for anna rohit khurana 2011 operating system is an insightful work that elaborates on fundamentals as well as advanced topics of the discipline it offers an in depth coverage of concepts design and functions of an operating system irrespective of the hardware used with neat illustrations and examples and presentation of

operating systems by iresh a dhotre pdf scribd - Aug 16 2023

web wy syllabus operating systems 15cs64 module 1 introduction to operating systems system structures what operating systems do computer system organization computer system architecture operating system structure operating system operations process management memory management storage management

operating system concepts by i a dhotre - Jul 03 2022

web letters by ia jun 26 2022 letters by ia republic politeia ed and transl by i a richards jul 28 2022 if you ally craving such a referred operating system concepts by i a dhotre book that will pay for you worth get the extremely best seller from us currently from several preferred authors if you desire

list of operating systems wikipedia - Mar 31 2022

web computer operating systems can be categorized by technology ownership licensing working state usage and by many other characteristics in practice many of these groupings may overlap criteria for inclusion is notability as shown either through an existing wikipedia article or citation to a reliable source

operating system by ia dhotre copy old vulkk - Dec 08 2022

web operating system a practical app mcgraw hill college an introduction to the engineering principles of embedded systems with a focus on modeling design and analysis of cyber physical systems

operating system by ia dhotre analytics test makestories io - May 01 2022

web operating system by ia dhotre pdf operating system by ia dhotre 2 downloaded from analytics test makestories io on by guest whole intended as a textbook for upper undergraduate and graduate classes it features a wealth of examples learning goals and summaries for every chapter numerous recommendations for further reading and

operating system by ia dhotre pdf cyberlab sutd edu sg - Jan 09 2023

web improvements in aviation capabilities and operations associated with ia systems these systems however face substantial barriers to integration into the national airspace system without degrading its safety or efficiency autonomy research for civil aviation identifies key barriers and suggests major

operating systems i a dhotre amazon in books - Apr 12 2023

web select the department you want to search in

operating systems i a dhotre amazon com - Jul 15 2023

web jan 1 2019 operating systems kindle edition by i a dhotre download it once and read it on your kindle device pc phones or tablets use features like bookmarks note taking and highlighting while reading operating systems

list of microsoft operating systems wikipedia - Feb 27 2022

web list of microsoft operating systems this is a list of microsoft written and published operating systems for the codenames that microsoft gave their operating systems see microsoft codenames for anothversions of microsoft windows see list of microsoft windows versions

operating systems i a dhotre 9789350380208 - Aug 04 2022

web abebooks com operating systems 9789350380208 by i a dhotre and a great selection of similar new used and collectible books available now at great prices

operating systems i a dhotre 9789350380208 - May 13 2023

web jan 1 2011 operating systems i a dhotre on amazon com free shipping on qualifying offers operating systems

operating system os definition examples lifewire - Jan 29 2022

web jan 24 2022 there are three main operating systems for computers windows apple and linux the two main operating systems for mobile are android and ios there are countless other operating systems made for specific devices such as samsung s one ui that only works on samsung devices

which version of windows operating system am i running - Dec 28 2021

web find operating system info in windows 10 to find out which version of windows your device is running press the windows logo key key r type winver in the open box and then select ok here s how to learn more select the start button settings system about open about settings

ebook operating system by ia dhotre cyberlab sutd edu sg - Jun 02 2022

web ia systems range from current automatic systems such as autopilots and remotely piloted unmanned aircraft to more highly sophisticated systems that are needed to enable a fully autonomous aircraft that does not require a pilot or human air traffic controllers these systems characterized by their ability to perform

operating system design by i a dhotre goodreads - Oct 06 2022

web read reviews from the world s largest community for readers general overview of the system history system architecture user perspective operating syste

operating systems ebook i a dhotre amazon in - Sep 05 2022

web these promotions will be applied to this item some promotions may be combined others are not eligible to be combined with other offers for details please see the terms conditions associated with these promotions

amazon in i a dhotre operating systems computer - Jun 14 2023

web children s young adult textbooks exam central all indian languages 5 results results decode operating systems for jntu h 18 course ii ii cse it cs403pc by i a dhotre

operating system by ia dhotre pdf uniport edu - Mar 11 2023

web operating system by ia dhotre 1 11 downloaded from uniport edu ng on september 8 2023 by guest operating system by ia dhotre right here we have countless ebook operating system by ia dhotre and collections to check out we additionally have enough money variant types and then type of the books to browse

how to write a welcome speech academic conference edition - Jul 20 2021

web 31 minutes ago from now i will head to san francisco in order to attend the apec economic leaders meeting and other diplomatic engagements i aim to make it an

five of the best speech opening lines ginger leadership - Sep 02 2022

web 10 opening speech examples conference ceremony meeting whether you are opening for a small gathering such as minor events or a big one like global

powell says fed is not confident it has done enough to bring - Nov 11 2020

web 15 hours ago chairman of the house homeland security committee representative mark green speaks as representative clay higgins looks on during a news conference on

presidential speeches opening remarks by president - Nov 04 2022

web 24 apr 2017 vienna austria as prepared for delivery good morning ladies and gentlemen dear colleagues i am pleased to welcome you to the first iaea international

biden announces new agreements with china on fentanyl and - Dec 13 2020

web 7 november 2023 the king s speech my lords and members of the house of commons it is mindful of the legacy of service and devotion to this country set by my beloved

opening remarks at the international conference on radiation - Aug 01 2022

web aug 20 2012 it is a great honour and pleasure to be with you here in shanghai for this international conference this conference to my knowledge is one of the first of its

s p 500 nasdaq barely extend win streaks as investors eye - Oct 11 2020

press conference by prime minister kishida on attending the - Apr 16 2021

web 12 hours ago filoli historic house gardenwoodside california 11 23 a m pst president biden well mr president it s good to see you again we ve spent many

the king s speech 2023 gov uk - Sep 09 2020

xi biden at apec summit china u s leaders meet in san - Mar 16 2021

web 10 hours ago president biden announced agreements he made with chinese leader xi jinping on open military communication channels and counternarcotics at a solo press

how to write a good welcome speech with a sample - Mar 08 2023

web jan 18 2019 antónio guterres ladies and gentlemen of the media thank you very much for your presence good afternoon everyone and let me say again happy new year as

opening speech sample useful examples scientific events - Dec 25 2021

web march 20 2023 by prasanna welcome speech for conference very good morning to one and all present here my name is suraj and i ll be giving the welcome speech for today s

opening speech at the global conference on primary health care - Jan 06 2023

web 1 welcome speech for consumer conference anec eu details file format pdf size 21 kb download 2 welcome speech for international conference ipres conference org

opening remarks of the managing director at the 11th imf - Oct 23 2021

web aug 26 2022 in your notes or outline you ll want to include the following steps welcome the audience use a clear and strong voice to welcome all attendees and grab their

apec summit the new york times - Feb 12 2021

web nov 9 2023 speaking a little more than a week after the central bank voted to hold benchmark policy rates steady powell said in remarks for an international monetary

opening remarks at the 2020 international conference on imf - Jun 11 2023

web thursday 14 october 2021 check against delivery introduction good morning ladies and gentlemen fellow speakers and good morning to our audience joining us online from

keynote speech to the world health summit 2021 24 october - Jan 26 2022

web 11 hours ago good morning and welcome let me start by thanking bert and the statistics department team for always

taking on the big questions of how we actually quantify our
republican cuts off colleague s speech about capitol riot - Aug 09 2020

welcome speech for conference in english best examples - Nov 23 2021

web 16 november 2023 good morning and welcome to the chief of army history conference we gather today on ngunnawal country and i acknowledge and pay my respects to their

welcome speech for conference 9 examples format sample - Oct 03 2022

web 2 days ago who director general s opening remarks at global symposium entitled global health security and diplomacy in the 21st century 13 november 2023

10 of the best things to say in opening remarks - Feb 24 2022

web aug 7 2021 find below the best sample of welcome speech for conference in english welcome ladies gentleman honourable chief guest respected director all our

2023 samples of welcoming and short opening remarks for - Mar 28 2022

web 1 mention the event organizer all the experts in opening speech examples recommend that start the presentation with an appreciation to the event organizer you can tell that

remarks by secretary of the treasury janet l yellen at opening - May 18 2021

web 23 hours ago apec summit after meeting with xi Biden hails talks on fentanyl and communication but the president concluded his remarks by affirming his

38 top opening and closing remarks for meetings - Jul 12 2023

web oct 13 2022 so glad to get started i m David Theis the World Bank s press secretary and thank you for joining the 2022 annual meetings press conference with World Bank

2022 annual meetings press conference opening remarks by - May 10 2023

web nov 8 2021 to open the conference i will give a brief tour of the important research on display here then discuss how the pandemic has affected the economy along gender

opening speech at the srb annual conference 2021 by Elke König - Apr 09 2023

web oct 25 2018 first of all i would like to express how happy i am to be with you this morning i thank his excellency the prime minister and the government of Kazakhstan

opening remarks at empowering inclusivity conference - Oct 15 2023

web nov 16 2023 Minister for Manpower Dr Tan See Leng ITE College Central 1 a very good morning to all it is my pleasure to join you at today s Empowering Inclusivity

opening remarks international conference on immigration - Apr 28 2022

web oct 24 2021 unicef executive director henrietta fore 25 october 2021 excellencies colleagues friends it is a pleasure to be with you here today for the world health

jerome powell opening remarks 8211 research and - Jun 18 2021

web 14 hours ago beijing u s president joe Biden and chinese president xi Jinping met wednesday outside of san francisco in their first face to face encounter in a year the

opening speech 10 examples format sample examples - May 30 2022

web opening remarks determine whether or not the audience will be intrigued enough to sit through the rest of your talk the main purposes of opening remarks can be summed up

who director general s opening remarks at global symposium - Jun 30 2022

web jan 9 2023 here are some examples of short opening remarks for a program 1 you are welcome to program name we re so happy you could be here with us today 2 we

welcome speech for conference a plus topper - Sep 21 2021

web nov 15 2023 opening remarks by mr jerome h powell chair of the board of governors of the federal reserve system at a look at the past present and future a

42 conference opening remarks examples teambuilding com - Sep 14 2023

web nov 2 2023 examples include serious opening conference remarks funny opening conference remarks and inspirational opening conference remarks the purpose of

opening remarks at first press conference of 2019 - Dec 05 2022

web apr 15 2019 ginger leadership communications great opening lines to a speech get us curious and can set the direction for a powerful talk in those first few seconds you have

opening address chief of army history conference 2023 - Aug 21 2021

web 2 days ago as prepared for delivery good morning and welcome to the 30th annual finance ministers meeting thank you to the city of san francisco for hosting us and to

opening remarks by chair powell at the gender and the - Feb 07 2023

web 10 hours ago speech opening remarks by president ferdinand r marcos jr at the apec ceo summit session 6 abac u s and ncapec for holding this apec

welcome speech for a scientific conference examples tips - Aug 13 2023

web sep 21 2020 opening remarks at the 2020 international conference on sustainable development center for sustainable development columbia university by tao zhang

[remarks by president biden and president xi jinping of the](#) - Jan 14 2021

web nov 8 2023 dow down 0 12 s p 500 up 0 10 nasdaq up 0 08 nov 8 reuters the s p 500 and nasdaq eked out small gains on wednesday to extend their recent

signal and power integrity simplified pearson - Apr 30 2023

web jan 2 2018 signal and power integrity simplified 3rd edition published by pearson january 1 2018 2018 eric bogatin

signal and power integrity simplified 3rd ed ebooks com - Jul 22 2022

web drawing on his work teaching several thousand engineers and graduate students world renowned expert eric bogatin systematically presents the root causes of all six families of signal integrity power integrity and electromagnetic compatibility problems

signal and power integrity simplified 3rd ed ebooks com - Feb 14 2022

web drawing on his work teaching several thousand engineers and graduate students world renowned expert eric bogatin systematically presents the root causes of all six families of signal integrity power integrity and electromagnetic compatibility problems

signal and power integrity simplified signal integrity library - Aug 03 2023

web jan 2 2018 drawing on his work teaching several thousand engineers and graduate students world renowned expert eric bogatin systematically presents the root causes of all six families of signal integrity power integrity and

signal and power integrity simplified google books - Mar 30 2023

web jul 13 2009 drawing on his work teaching more than five thousand engineers world class signal and power integrity expert eric bogatin systematically reviews the root causes of all six families of signal integrity problems and

[signal and power integrity simplified pearson](#) - Oct 05 2023

web jul 6 2021 signal and power integrity simplified signal and power integrity simplified 3rd edition published by pearson july 5 2021 2021 eric bogatin best

home eric bogatin university of colorado boulder - Sep 23 2022

web he is also the technical editor of the signal integrity journal one of the few industry focused publications that covers signal integrity power integrity and electromagnetic compliance topics prof bogatin is a fellow with teledyne lecroy and continues to offer webinars and presentations on best measurement practices using real time scopes

signal and power integrity simplified 3rd edition - Dec 27 2022

web eric bogatin received his b s in physics from mit in 1976 and his m s and ph d in physics from the university of arizona in tucson in 1980 for more than 30 years he has been active in the fields of signal integrity and interconnect design

signal and power integrity simplified edition 3 google play - Aug 23 2022

web signal and power integrity simplified edition 3 ebook written by eric bogatin read this book using google play books app on your pc android ios devices download for offline reading highlight bookmark or take notes while you read signal and power integrity simplified edition 3

signal and power integrity simplified bogatin eric - Nov 25 2022

web signal and power integrity simplified bogatin eric amazon sg books books engineering science engineering technology buy new s 145 46 list price s 184 00 save s 38 54 20 select delivery location in stock us imports may differ from local products additional terms apply learn more quantity add to cart buy now secure

signal and power integrity simplified eric bogatin google books - Feb 26 2023

web signal and power integrity simplified eric bogatin prentice hall 2018 technology engineering 958 pages the 1 practical guide to signal integrity design with revised content

signal and power integrity simplified pearsoncmg com - Jul 02 2023

web bogatin eric signal and power integrity simplified eric bogatin 2nd ed p cm rev ed of signal and power integrity simplified eric bogatin c2004 includes bibliographical references and index isbn 10 0 13 234979 5 hardcover alk paper isbn 13 978 0 13 234979 6 hardcover alk paper 1 signal processing digital

signal and power integrity si eric bogatin academia edu - Apr 18 2022

web signal and power integrity si eric bogatin pdf signal and power integrity si eric bogatin youwei yang academia edu academia edu no longer supports internet explorer

signal and power integrity simplified 3rd edition o reilly media - Sep 04 2023

web drawing on his work teaching several thousand engineers and graduate students world renowned expert eric bogatin systematically presents the root causes of all six families of signal integrity power integrity and electromagnetic compatibility problems

signal and power integrity simplified guide books acm - Jun 01 2023

web drawing on his work teaching more than five thousand engineers world class signal and power integrity expert eric bogatin systematically reviews the root causes of all six families of signal integrity problems and shows how

download signal and power integrity simplified by bogatin eric - May 20 2022

web description signal integrity is in your future time and frequency domains impedance and electrical models the physical basis of resistance the physical basis of capacitance the physical basis of inductance the physical basis of transmission lines transmission lines and reflections lossy lines rise time degradation and

signal and power integrity simplified searchworks catalog - Oct 25 2022

web drawing on his work teaching more than five thousand engineers world class signal and power integrity expert eric

bogatin systematically reviews the root causes of all six families of signal integrity problems and shows how
[signal and power integrity simplified pdf 5e1lintpkmu0](#) - Mar 18 2022

web drawing on his work teaching several thousand engineers and graduate students world renowned expert eric bogatin systematically presents the root causes of all six families of signal integrity power integrity and electromagnetic compatibility problems

signal and power integrity simplified eric bogatin google books - Jan 28 2023

web drawing on his work teaching several thousand engineers and graduate students world renowned expert eric bogatin systematically presents the root causes of all six families of signal integrity power integrity and electromagnetic compatibility problems

[signal and power integrity simplified by dr eric bogatin](#) - Jun 20 2022

web signal and power integrity simplified by dr eric bogatin from the back cover the complete guide to understanding and designing for signal integrity suitable for even non specialists signal and power integrity simplified offers a comprehensive easy to follow look at how physical interconnects affect electrical performance