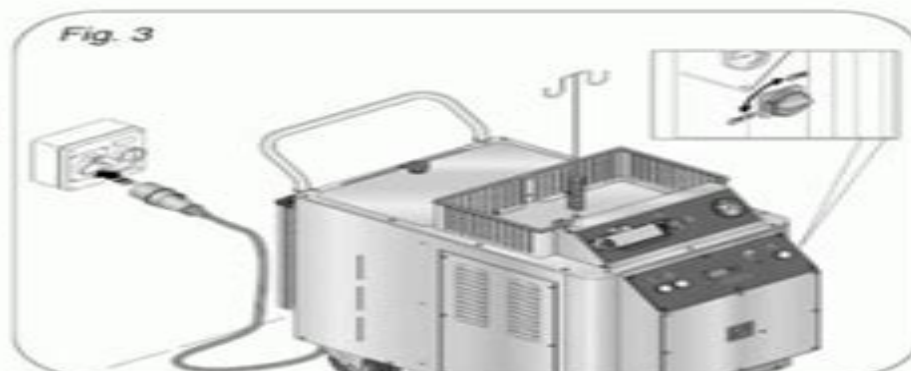
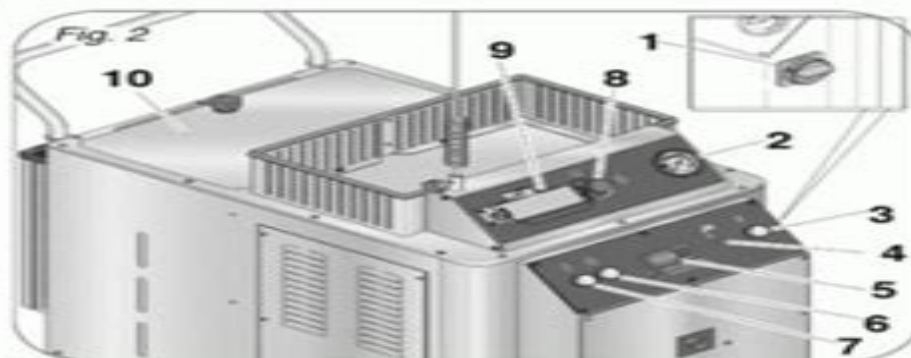




## 4. PREPARATION & USE

### CONTROLS & MAIN PARTS

1. General Switch
2. Pressure Guage
3. General Switch Signal Lamp
4. No-water Signal Lamp and Water-filling Signal Lamp
5. Temperature Indicator / Thermoregulator
6. Vapor Delivery Control Switch
7. General Switch for Pump-heater feeding
8. Vapor Delivery Regulator
9. Flexible Hose Socket
10. Water and Detergent Compartment



### PREPARATION

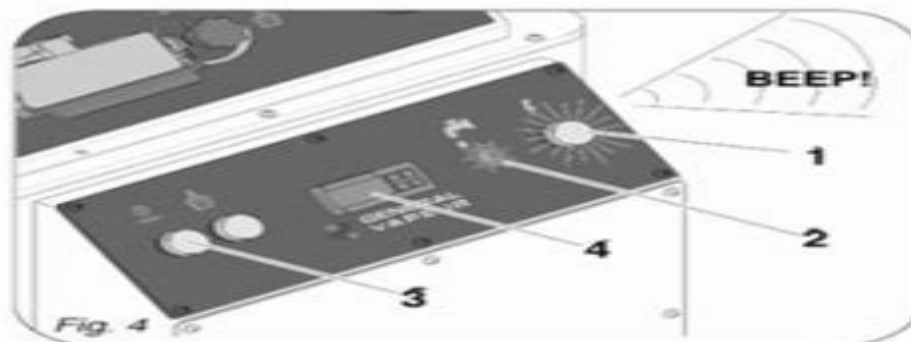
Plug machine into appropriate electrical socket. It requires a **THREE-PHASE 440V-50HZ** connection (Fig. 3).

*NOTE: Manufacturer not liable for any damage caused by operation with voltage values not compliant with those indicated.*

Turn on machine by turning the general switch, located on the side of the control panel (Fig.3) to the "On" position. The signal lamp (1-Fig. 4) on the control panel indicates that machine is feeding correctly.

Low water level in the tank is indicated by the no-water signal lamp (2-Fig. 4) and an acoustic sound signal.

With machine is "On", pump-heater feeding (3-Fig 4) begins: the temperature display (4-Fig. 4) will blink for 4-5-seconds. When it turns solid, it indicates the internal boiler temperature is set. The signal lamp (2-Fig. 4) will turn on for approx. 2 seconds and then turns off.



# Hdc21rb2 Instruction Manual

**Durant Motors, Inc**

A decorative graphic element consisting of a light blue horizontal bar with a rounded right end, and a red-to-white gradient semi-circle behind it.

**Hdc21rb2 Instruction Manual:**

**RL-43** ,1970    *TCAP.* ,1979    *Instruction Manual.* Tektronix Inc. Beaverton, Oregon,19??    **Instruction Manual.**  
Tektronix Inc. Beaverton, Oregon,19??    *Instruction Manual.* Tektronix Inc. Beaverton, Oregon,19??    *2013 Dodge*  
*Challenger Owner Manual Compatible with OEM Owners Manual, Factory Glovebox Book* Helming,2013-06-05  
**Instruction Manual.** Tektronix, Inc,1973    *Instruction Manual.* Tektronix Inc. Beaverton, Oregon,19??    Book 05,  
F-902M Instruction Manual Los Angeles (Calif.). Fire Department,1994    **HOOD user manual** European Space Agency  
(ESA),1989    **Instruction manual for the BT 9 D ,**    **Durant instruction manual model "66."** Durant Motors,  
Inc,1929    An Instruction Manual for the RB Super D · RB Graflex, Inc,1956    **Durant Instruction Manual** ,1928  
**Crop Production Series** ACOT.,1982    *PC-AT User's Manual* ,198?    **Superkit instruction manual** ,1982    2013  
Dodge Challenger SRT - OEM Owners Manual Compatible with OEM Owners Manual, Factory Glovebox Book  
Helming,2013-08-28    GREAT-ER User Manual ,1999

This is likewise one of the factors by obtaining the soft documents of this **Hdc21rb2 Instruction Manual** by online. You might not require more epoch to spend to go to the ebook commencement as skillfully as search for them. In some cases, you likewise attain not discover the revelation Hdc21rb2 Instruction Manual that you are looking for. It will very squander the time.

However below, taking into account you visit this web page, it will be as a result very simple to acquire as with ease as download lead Hdc21rb2 Instruction Manual

It will not consent many epoch as we tell before. You can realize it even though operate something else at home and even in your workplace. for that reason easy! So, are you question? Just exercise just what we pay for under as skillfully as evaluation **Hdc21rb2 Instruction Manual** what you once to read!

<https://staging.conocer.cide.edu/public/browse/fetch.php/Module%203%20Drivers%20Ed%20Answers.pdf>

## **Table of Contents Hdc21rb2 Instruction Manual**

1. Understanding the eBook Hdc21rb2 Instruction Manual
  - The Rise of Digital Reading Hdc21rb2 Instruction Manual
  - Advantages of eBooks Over Traditional Books
2. Identifying Hdc21rb2 Instruction Manual
  - Exploring Different Genres
  - Considering Fiction vs. Non-Fiction
  - Determining Your Reading Goals
3. Choosing the Right eBook Platform
  - Popular eBook Platforms
  - Features to Look for in an Hdc21rb2 Instruction Manual
  - User-Friendly Interface
4. Exploring eBook Recommendations from Hdc21rb2 Instruction Manual

- Personalized Recommendations
  - Hdc21rb2 Instruction Manual User Reviews and Ratings
  - Hdc21rb2 Instruction Manual and Bestseller Lists
5. Accessing Hdc21rb2 Instruction Manual Free and Paid eBooks
    - Hdc21rb2 Instruction Manual Public Domain eBooks
    - Hdc21rb2 Instruction Manual eBook Subscription Services
    - Hdc21rb2 Instruction Manual Budget-Friendly Options
  6. Navigating Hdc21rb2 Instruction Manual eBook Formats
    - ePub, PDF, MOBI, and More
    - Hdc21rb2 Instruction Manual Compatibility with Devices
    - Hdc21rb2 Instruction Manual Enhanced eBook Features
  7. Enhancing Your Reading Experience
    - Adjustable Fonts and Text Sizes of Hdc21rb2 Instruction Manual
    - Highlighting and Note-Taking Hdc21rb2 Instruction Manual
    - Interactive Elements Hdc21rb2 Instruction Manual
  8. Staying Engaged with Hdc21rb2 Instruction Manual
    - Joining Online Reading Communities
    - Participating in Virtual Book Clubs
    - Following Authors and Publishers Hdc21rb2 Instruction Manual
  9. Balancing eBooks and Physical Books Hdc21rb2 Instruction Manual
    - Benefits of a Digital Library
    - Creating a Diverse Reading Collection Hdc21rb2 Instruction Manual
  10. Overcoming Reading Challenges
    - Dealing with Digital Eye Strain
    - Minimizing Distractions
    - Managing Screen Time
  11. Cultivating a Reading Routine Hdc21rb2 Instruction Manual
    - Setting Reading Goals Hdc21rb2 Instruction Manual
    - Carving Out Dedicated Reading Time
  12. Sourcing Reliable Information of Hdc21rb2 Instruction Manual

- Fact-Checking eBook Content of Hdc21rb2 Instruction Manual
  - Distinguishing Credible Sources
13. Promoting Lifelong Learning
- Utilizing eBooks for Skill Development
  - Exploring Educational eBooks
14. Embracing eBook Trends
- Integration of Multimedia Elements
  - Interactive and Gamified eBooks

### **Hdc21rb2 Instruction Manual Introduction**

In today's digital age, the availability of Hdc21rb2 Instruction Manual books and manuals for download has revolutionized the way we access information. Gone are the days of physically flipping through pages and carrying heavy textbooks or manuals. With just a few clicks, we can now access a wealth of knowledge from the comfort of our own homes or on the go. This article will explore the advantages of Hdc21rb2 Instruction Manual books and manuals for download, along with some popular platforms that offer these resources. One of the significant advantages of Hdc21rb2 Instruction Manual books and manuals for download is the cost-saving aspect. Traditional books and manuals can be costly, especially if you need to purchase several of them for educational or professional purposes. By accessing Hdc21rb2 Instruction Manual versions, you eliminate the need to spend money on physical copies. This not only saves you money but also reduces the environmental impact associated with book production and transportation. Furthermore, Hdc21rb2 Instruction Manual books and manuals for download are incredibly convenient. With just a computer or smartphone and an internet connection, you can access a vast library of resources on any subject imaginable. Whether you're a student looking for textbooks, a professional seeking industry-specific manuals, or someone interested in self-improvement, these digital resources provide an efficient and accessible means of acquiring knowledge. Moreover, PDF books and manuals offer a range of benefits compared to other digital formats. PDF files are designed to retain their formatting regardless of the device used to open them. This ensures that the content appears exactly as intended by the author, with no loss of formatting or missing graphics. Additionally, PDF files can be easily annotated, bookmarked, and searched for specific terms, making them highly practical for studying or referencing. When it comes to accessing Hdc21rb2 Instruction Manual books and manuals, several platforms offer an extensive collection of resources. One such platform is Project Gutenberg, a nonprofit organization that provides over 60,000 free eBooks. These books are primarily in the public domain, meaning they can be freely distributed and downloaded. Project Gutenberg offers a wide range of classic literature, making it an excellent resource for literature enthusiasts. Another

popular platform for Hdc21rb2 Instruction Manual books and manuals is Open Library. Open Library is an initiative of the Internet Archive, a non-profit organization dedicated to digitizing cultural artifacts and making them accessible to the public. Open Library hosts millions of books, including both public domain works and contemporary titles. It also allows users to borrow digital copies of certain books for a limited period, similar to a library lending system. Additionally, many universities and educational institutions have their own digital libraries that provide free access to PDF books and manuals. These libraries often offer academic texts, research papers, and technical manuals, making them invaluable resources for students and researchers. Some notable examples include MIT OpenCourseWare, which offers free access to course materials from the Massachusetts Institute of Technology, and the Digital Public Library of America, which provides a vast collection of digitized books and historical documents. In conclusion, Hdc21rb2 Instruction Manual books and manuals for download have transformed the way we access information. They provide a cost-effective and convenient means of acquiring knowledge, offering the ability to access a vast library of resources at our fingertips. With platforms like Project Gutenberg, Open Library, and various digital libraries offered by educational institutions, we have access to an ever-expanding collection of books and manuals. Whether for educational, professional, or personal purposes, these digital resources serve as valuable tools for continuous learning and self-improvement. So why not take advantage of the vast world of Hdc21rb2 Instruction Manual books and manuals for download and embark on your journey of knowledge?

## **FAQs About Hdc21rb2 Instruction Manual Books**

1. Where can I buy Hdc21rb2 Instruction Manual books? Bookstores: Physical bookstores like Barnes & Noble, Waterstones, and independent local stores. Online Retailers: Amazon, Book Depository, and various online bookstores offer a wide range of books in physical and digital formats.
2. What are the different book formats available? Hardcover: Sturdy and durable, usually more expensive. Paperback: Cheaper, lighter, and more portable than hardcovers. E-books: Digital books available for e-readers like Kindle or software like Apple Books, Kindle, and Google Play Books.
3. How do I choose a Hdc21rb2 Instruction Manual book to read? Genres: Consider the genre you enjoy (fiction, non-fiction, mystery, sci-fi, etc.). Recommendations: Ask friends, join book clubs, or explore online reviews and recommendations. Author: If you like a particular author, you might enjoy more of their work.
4. How do I take care of Hdc21rb2 Instruction Manual books? Storage: Keep them away from direct sunlight and in a dry environment. Handling: Avoid folding pages, use bookmarks, and handle them with clean hands. Cleaning: Gently dust

- the covers and pages occasionally.
5. Can I borrow books without buying them? Public Libraries: Local libraries offer a wide range of books for borrowing. Book Swaps: Community book exchanges or online platforms where people exchange books.
  6. How can I track my reading progress or manage my book collection? Book Tracking Apps: Goodreads, LibraryThing, and Book Catalogue are popular apps for tracking your reading progress and managing book collections. Spreadsheets: You can create your own spreadsheet to track books read, ratings, and other details.
  7. What are Hdc21rb2 Instruction Manual audiobooks, and where can I find them? Audiobooks: Audio recordings of books, perfect for listening while commuting or multitasking. Platforms: Audible, LibriVox, and Google Play Books offer a wide selection of audiobooks.
  8. How do I support authors or the book industry? Buy Books: Purchase books from authors or independent bookstores. Reviews: Leave reviews on platforms like Goodreads or Amazon. Promotion: Share your favorite books on social media or recommend them to friends.
  9. Are there book clubs or reading communities I can join? Local Clubs: Check for local book clubs in libraries or community centers. Online Communities: Platforms like Goodreads have virtual book clubs and discussion groups.
  10. Can I read Hdc21rb2 Instruction Manual books for free? Public Domain Books: Many classic books are available for free as they're in the public domain. Free E-books: Some websites offer free e-books legally, like Project Gutenberg or Open Library.

### **Find Hdc21rb2 Instruction Manual :**

[module 3 drivers ed answers](#)

[modern physics kenneth krane 2nd edition](#)

**moi charles manson**

**module 11 money skill answers**

**modern psychology a history international edition 10th ed**

[moki rc engines manual](#)

[modern world history patterns of interaction california edition quiz](#)

[molecular mechanisms of phagocytosis medical intelligence unit](#)

[module 9 everfi](#)

[modern biology study guide answer key viruses](#)



*modern nmr spectroscopy a guide for chemists*

**modern chemistry chapter 1 review acid base titration ph**

*modern biology study guide section 8 2 review answer key*

[moduli ya osw 123](#)

[moffett forklift safety manual](#)

## **Hdc21rb2 Instruction Manual :**

*sashimono the subtle art of japanese wood joinery* - Oct 05 2023

web aug 30 2021 japan s art of wooden joinery dylan iwakuni carpentry is a discipline that elegantly merges form and function the japanese woodworking tradition of sashimono a word derived from monosashi

**the art of japanese joinery kiyosi seike amazon com books** - Jul 22 2022

web paperback january 1 1982 the joiner s art almost forgotten in the west by all but fine cabinetmakers has had a long history in japan where it is still vigorously alive the reputation of the traditional carpenter rests largely on his skill as a joiner choosing and fashioning joints unknown in the west

**the art of japanese joinery shambhala** - Jan 28 2023

web the art of japanese joinery by kiyosi seike 26 95 paperback available qty add to cart weatherhill 06 01 1977 pages 128 size 7 125 x 10 125 isbn 9780834815162 details

*the art of japanese joinery penguin random house* - Aug 03 2023

web the art of japanese joinery by kiyosi seike 9780834815162 penguinrandomhouse com books this lively introduction to japanese joinery not only delves lovingly into the unique history and development of

*the art of japanese joinery seike kiyosi ebook amazon com* - May 20 2022

web dec 11 2022 the art of japanese joinery kindle edition by seike kiyosi download it once and read it on your kindle device pc phones or tablets use features like bookmarks note taking and highlighting while reading the art of japanese joinery the art of japanese joinery seike kiyosi ebook amazon com skip to main content us hello

*japanese woodworking unveiling the art of kumiko joinery* - Nov 25 2022

web aug 23 2023 the art of kumiko joinery involves a series of meticulous techniques that demand patience precision and a deep understanding of woodworking here are some of the fundamental techniques 1 cutting kumiko blocks kumiko blocks are cut using a variety of hand tools including japanese saws and chisels

**the art of japanese joinery by kiyoshi seike open library** - Feb 14 2022

web dec 7 2022 imported from scriblio marc record the art of japanese joinery by kiyoshi seike 1977 john weatherhill

tankosha edition paperback in english 1st english ed

**the art of japanese joinery by kiyosi seike pdf scribd** - Oct 25 2022

web vsc a 79 4g first english edition 1977 second printing 1978 jointly published by john weatherhill inc of new york and tokyo with editorial offices at 7 6 13 roppongi minato ku tokyo 106 japan and tankosha kyoto copyright 1970 1977

bytankosha all rights reserved printed in japan

the art of japanese joinery seike kiyoshi 1918 2005 archive org - Jun 01 2023

web the art of japanese joinery by seike kiyoshi 1918 2005 publication date 1977 topics joinery woodwork japan publisher new york j weatherhill

*the art of japanese joinery amazon co uk* - Dec 27 2022

web the art of japanese joinery paperback illustrated 1 jun 1977 this lively introduction to japanese joinery not only delves lovingly into the unique history and development of japanese carpentry but also reveals many secrets of japanese joinery

**the art of japanese joinery amazon com** - Apr 30 2023

web jun 1 1977 this lively introduction to japanese joinery not only delves lovingly into the unique history and development of japanese carpentry but also reveals many secrets of japanese joinery

**the ancient art of japanese joinery and 6 incredible examples** - Sep 04 2023

web may 31 2022 6 incredible examples of japanese joinery 1 horyu ji located in the nara prefecture the horyu ji temple complex is a pristine example of the work of miyadaiku 2 yusuhara wooden museum bridge for this bridge kengo kuma adopted a unique cantilever bridge design a traditional 3 conoid

**download the art of japanese joinery by kiyosi seike** - Aug 23 2022

web this lively introduction to japanese joinery not only delves lovingly into the unique history and development of japanese carpentry but also reveals many secrets of japanese joinery presenting 48 joints selected from among the several hundred known and used today this visually exciting book will please anyone who has ever been moved by the

*the art of japanese joinery kiyoshi seike google books* - Apr 18 2022

web the art of japanese joinery kiyosi seike snippet view 1977 the art of japanese joinery kiyosi seike no preview available 1977 bibliographic information title the art of japanese joinery author kiyoshi seike translated by rebecca m davis yuriko yobuko publisher weatherhill 1986 length

the art of japanese joinery paperback 15 june 1977 - Sep 23 2022

web this lively introduction to japanese joinery not only delves lovingly into the unique history and development of japanese carpentry but also reveals many secrets of japanese joinery presenting 48 joints selected from among the several hundred known and used today this visually exciting book will please anyone who has ever been moved by the

*book review the art of japanese joinery woodsolutions* - Feb 26 2023

web the art of japanese joinery author kiyosi seike size 127 pages publisher weatherhill publisher shambhala com kiyosi seike has effectively captured the elegance and simplistic beauty of japanese joinery in this attractive book

**the art of japanese joinery paperback 1 june 1977 amazon in** - Mar 18 2022

web amazon in buy the art of japanese joinery book online at best prices in india on amazon in read the art of japanese joinery book reviews author details and more at amazon in free delivery on qualified orders

**the art of traditional japanese wood joinery a kyoto** - Mar 30 2023

web dec 10 2020 the art of traditional japanese wood joinery a kyoto woodworker shows how japanese carpenters created wood structures without nails or glue anyone can develop basic woodworking skills and per the advice of nick offerman perhaps everyone should

**the art of japanese joinery japanese tools australia** - Jun 20 2022

web the art of japanese joinery japanese tools australia this lively introduction to japanese joinery not only delves lovingly into the unique history and development of japanese carpentry but also reveals many secrets of japanese joinery

[the art of japanese joinery by kiyosi seike goodreads](#) - Jul 02 2023

web jun 1 1977 the art of japanese joinery kiyosi seike 4 21 142 ratings8 reviews this lively introduction to japanese joinery not only delves lovingly into the unique history and development of japanese carpentry but also reveals many secrets of japanese joinery



**fmb map tamil nadu patta chitta village map download tn pds** - Jan 24 2023

web apr 4 2021 november 1 2022 fmb is a field measurement book map or sketch it is a compilation of sketch data stored in volumes by the tahasildar office of the tamil nadu government this article provides information on tamil nadu fmb map download tamil nadu patta chitta fmb map getting and viewing fmb map online etc

*tamilnadu rsr fmb map how to download online* - Mar 14 2022

web jan 11 2022 tamilnadu rsr fmb map online land record download tamilnadu rsr fmb map online download the individual survey numbers are maintained at a scale of 1 1000 or 1 2000 in the fmb's the property owner owns each subdivision the precise dimensions of the land are denoted by fmb

*how to read land fmb in tamil*   *youtube* - Jan 12 2022

web jun 24 2021 which one is base line or boundary line in land fmb 5 how to identify high voltage line and kinnaru path way water path way in land fmb new method to download land fmb map tamil  

**how to download village map in tamilnadu download village fmb** - Jul 18 2022

web download your village map fmb layout onlinewebsite link tnlandsurvey tn gov in few month before all tamilnadu village

map available in offline onl

**fmb download tamil nadu fmb land surveys** - Jun 16 2022

web combined fmb sketch interior survey real estate services digital land services fmb download andrapradesh tamil nadu kerala karnataka training pages gallery videos sample drawing report faq download notices surveyor signs privacy policy terms and conditions contact us job

**e services of land records tamilnadu government tn** - May 28 2023

web fmb sketch rural view patta order copy rural tslr extract tslr sketch urban application status government of tamil nadu s anytime anywhere e services enable citizens to view and verify pattas a register extracts also track application status find out if a land is owned by the government or by a private entity

**view patta fmb chitta tslr extract national government** - Mar 26 2023

web view patta fmb chitta tslr extract fully online government of tamil nadu s land records e services enable citizens to view patta fmb chitta tslr extracts by specifying district whether the area is rural or urban based on which further details may be specified such as taluk village survey number sub division number in case

**fmb sketch download how to download fmb sketch online tamilnadu** - Apr 14 2022

web sep 14 2023 for fmb map download you need to visit the official website website of tamil nadu at eservices tn gov in eservicesnew land chitta html lan en you can refer to mr harsh s answer to understand how to check village fmb map tamil nadu learn alternative ways to fmb map download from expert lawyers at nobroker

how to download fmb field map online tamil youtube - Feb 10 2022

web how to download fmb field map online tamil i tamil corner 31k subscribers subscribe 1 4 views 8 minutes ago how to view patta chitta fmb online on tn patta chitta portal the patta chitta

view patta fmb chitta tslr extract eservices taluk - Jul 30 2023

web view patta fmb chitta tslr extract eservices taluk offices land records view patta fmb chitta tslr extract home help district please select ariyalur chengalpattu chennai coimbatore cuddalore dharmapuri dindigul erode kallakurichi kancheepuram kanyakumari karur krishnagiri madurai mayiladuthurai nagapattinam

how to download fmb map in tamil nadu ghnt green hand tech tamil - Aug 19 2022

web sep 15 2020 how to download fmb map in tamil nadu 2020 new website 2 ways ghnt green hand tech tamil

how to download fmb map in tamil nadu ghnt green hand tech tamil - Feb 22 2023

web how to download fmb map in tamil nadu ghnt green hand tech tamil help

**new tricks to download full fmb map of survey number online in** - May 16 2022

web sep 3 2021 how to download fmb map of both survey number and subdivision number online in tamilnadu 2 fmb not open in mobile tn eservices website how to solve 3 field measurement book download in [comprehensive land information portal clip govt of tamil nadu](#) - Nov 21 2022

web comprehensive land information portal clip govt of tamil nadu home fmb sketch select district select taluk select village select survey no sub division survey no subdivision

[e services of land records tamilnadu government](#) - Sep 19 2022

web government of tamil nadu s anytime anywhere e services enable citizens to view and verify pattas a register extracts also track application status find out if a land is owned by the government or by a private entity

[view patta chitta fmb ec online tamilnadu eservices tn gov in](#) - Oct 21 2022

web may 12 2022 how to view ec online villangam encumbrance certificate tamilnadu visit official registration dept website tnreginet gov in go to home page click e services select encumbrance certificate and click view ec then click zone district sub register office choose ec starting date ec end date which you want see encumbrance

[view patta chitta eservices taluk offices tn](#) - Dec 23 2022

web view patta chitta using patta number survey number

[view tslr sketch eservices taluk offices tn](#) - Jun 28 2023

web the content is owned maintained and dynamically updated by department of survey and settlement government of tamil nadu it is designed and developed by tamil nadu state centre of national informatics centre nic ministry of electronics information technology government of india this portal is best viewed in 1024 x 768 resolution in

[view fmb rural eservices taluk offices tn](#) - Aug 31 2023

web taluk 1 if survey number is 24 2 please enter 24 in survey number 2 in subdivision number and click submit then click view fmb 2 if survey number is 24 please enter 24 in survey number in subdivision number and click submit then click view fmb

**tn village map and fmb** [\[link\]](#) [\[link\]](#) [\[link\]](#) [\[link\]](#) [\[link\]](#) [\[link\]](#) **fmb** - Apr 26 2023

web jan 30 2020 how to download village map in tamilnadu online tnlandsurvey village fmb [\[link\]](#) [\[link\]](#) [\[link\]](#) [\[link\]](#) may 8 2022 in 2022 [\[link\]](#) [\[link\]](#) [\[link\]](#) [\[link\]](#) [\[link\]](#) natham

**drogues et plantes magiques edition 1983 jean marie** - Dec 10 2022

web drogues et plantes magiques edition 1983 de tout temps magies et sorciers ont fondé leur puissance sur les mystérieux pouvoirs des

[drogues et plantes magiques 1983 edition open library](#) - Aug 18 2023

web drogues et plantes magiques by jean marie pelt 1983 fayard edition in french français nouv éd

drogues et plantes magiques edition 1983 pdf - Oct 08 2022

web magazine littéraire pour professionnels et curieux les univers de l'édition décryptés à travers l'actualité du livre et ses acteurs rencontre de gutenbergs et du numérique

**certains fichiers présents sur ce site sont soumis à copyright ces** - Oct 28 2021

*drogues et plantes magiques edition 1983 origin* - May 03 2022

web la vie sociale des plantes les plantes magiques et la sorcellerie drogues et plantes magiques edition 1983 downloaded from mail.lafamigliawv.com by guest moody

*drogues et plantes magiques edition 1983 decitre* - Jun 16 2023

web dec 1 1983 drogues et plantes magiques edition 1983 jean marie pelt note moyenne donner le premier avis extrait de tout temps mages et sorciers ont fondé

*drogues et plantes magiques jean marie pelt google books* - Mar 13 2023

web apr 1 1983 drogues et plantes magiques paperback 1 april 1983 french edition by jean marie pelt author 4 5 16 ratings see all formats and editions kindle edition

**drogues et plantes magiques edition 1983 demo1 woodropship** - Mar 01 2022

web drogues et plantes magiques edition 1983 1 drogues et plantes magiques edition 1983 les hauts phénomènes de la magie précédés du spiritisme antique des fruits et

*drogues et plantes magiques edition 1983 actualité* - Sep 07 2022

web nov 17 2019 drogues et plantes magiques jeanmarie pelt epub retrouvez lebook drogues et plantes magiques par jeanmarie pelt au format epub surcitre.tlchargement

**drogues et plantes magiques edition 1983 pdf renewalcc** - Jul 05 2022

web et aussi l'émergence de nouvelles conduites addictives souvent nommées addictions sans produit ou comportementales plus particulièrement les addictions à l'écran puis les jeux

**drogues et plantes magiques paperback 1 april 1983** - Feb 12 2023

web dec 1 1983 magazine littéraire pour professionnels et curieux les univers de l'édition décryptés à travers l'actualité du livre et ses acteurs rencontre de gutenbergs et du

*drogues et plantes magiques edition 1983 pdf mail.lafamigliawv* - Apr 02 2022

web les plantes magiques drogues et plantes magiques edition 1983 downloaded from demo1.woodropship.com by guest molly sylvia dictionary of daily life in biblical

**drogues et plantes magiques jean marie pelt fayard** - May 15 2023

web jun 11 2011 drogues et plantes magiques edition 1983 pas cher retrouvez tous les produits disponibles à l achat dans notre catégorie nature et animaux

**drogues et plantes magiques edition 1983 jean marie** - Jan 11 2023

web dec 1 1983 drogues et plantes magiques edition 1983 de plongez vous dans le livre jean marie pelt au format ajoutez le à votre liste de souhaits ou abonnez vous à

**les plantes magiques de paul sédir poche livre decitre** - Nov 28 2021

web les plantes magiques introduction tout l univers est une grande magie et le règne végétal en entier est animé d une vertu magique aussi un titre tel que celui de ce

**drogues et plantes magiques grand format autre 1983 de** - Jul 17 2023

web apr 1 1983 de tout temps mages et sorciers ont fondé leur puissance sur les mystérieux pouvoirs des herbes plantes redoutables et redoutées aux mille sortilège drogues et

[droguesetplantesmagiquesedition1983 copy wp web2 do williams](#) - Jun 04 2022

web drogues et plantes magiques edition 1983 1 drogues et plantes magiques edition 1983 les Épices traité théorique et pratique du haschich des substances psychiques

**drogues et plantes magiques pelt jean marie** - Sep 19 2023

web drogues et plantes magiques broché 1 avril 1983 de jean marie pelt auteur 4 5 17 évaluations afficher tous les formats et éditions broché 19 04 12 d occasion à partir

**drogues et plantes magiques edition 1983 label** - Nov 09 2022

web traité théorique et pratique du haschich des substances psychiques et des plantes magiques les plantes magiques et la sorcellerie drogues et civilisations une alliance

*drogues et plantes magiques edition 1983 uniport edu* - Dec 30 2021

web aug 18 2020 l éditeur en parle ouvrage publié pour la première fois en 1902 les plantes magiques est un livre qui éveille au sacré à l invisible à travers 350 plantes

[drogues et plantes magiques edition 1983 download only](#) - Jan 31 2022

web sep 11 2023 drogues et plantes magiques edition 1983 2 6 downloaded from uniport edu ng on september 11 2023 by guest privilgie le progrs scientifique et

**télécharger drogues et plantes magiques edition** - Aug 06 2022

web drogues et plantes magiques edition 1983 sauver l homme et la nature Études légumes d ailleurs et d autrefois dictionnaire critique de la mondialisation variations sur les fêtes

**drogues et plantes magiques edition 1983 rakuten** - Apr 14 2023

web apr 1 2014 drogues et plantes magiques jean marie pelt fayard apr 1 2014 literary criticism 338 pages de tout temps  
mages et sorciers ont fondé leur puissance sur les