

Operator's Manual

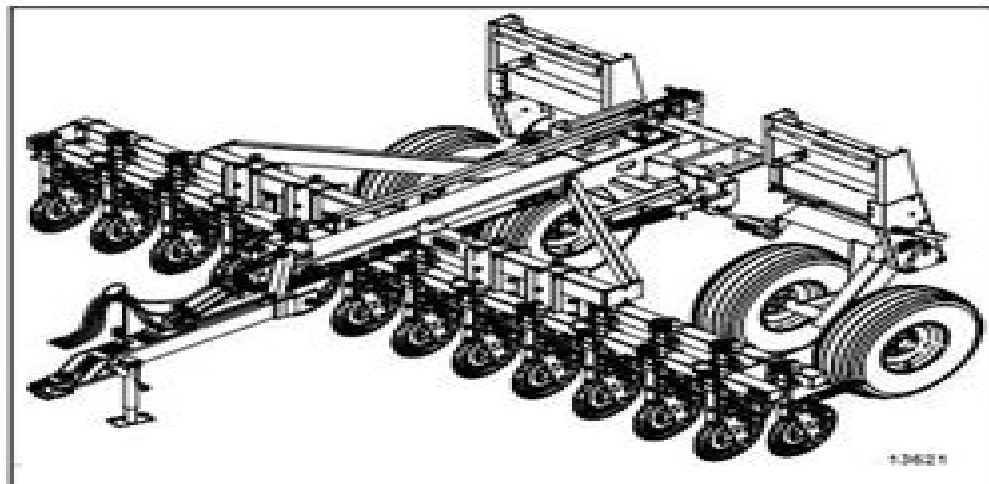
AS15 and AS20
Planting System

Great Plains Manufacturing, Inc.



Read the operator's manual entirely. When you see this symbol, the subsequent instructions and warnings are serious - follow without exception. Your life and the lives of others depend on it!

Great Plains



Cover illustration may show optional equipment not supplied with standard unit.

Great Plains Pt40 Operators Manual

F Rizvi



Great Plains Pt40 Operators Manual:

Cumulative Title Index to United States Public Documents, 1789-1976 Daniel W. Lester,1982 Real Estate Record and Builders' Guide ,1960 Arts & Humanities Citation Index ,1992 A multidisciplinary index covering the journal literature of the arts and humanities It fully covers 1 144 of the world s leading arts and humanities journals and it indexes individually selected relevant items from over 6 800 major science and social science journals *Air Trails Pictorial* ,1943-10

Operator's Manual ,1988 *Operator's Manual* ,1983 Operator's Manual ,1988 Operator's Manual United States. Department of the Army,1961 Operator's Manual United States. Department of the Army,1961 **Operator's Manual** ,1983 *Operator's Manual* ,1991 *Operator's Manual* United States. Department of the Army,1995

Operator's Manual ,1981 **Operator's Manual** United States. Department of the Army,1988 **Operator's Manual for Combat Vehicle, Anti-tank, Improved Tow Vehicle, M901, NSN 2350-01-045-1123** ,1989 **Operator's Manual** ,1990 **Operator's Manual for Trainer, Institutional-conduct of Fire (I-COFT) M1-105mm Tank 60 Hz (12538659-1)**. United States. Department of the Army,1990 **Operator's Manual** ,1989 **Operator's Manual** ,1991

Embark on a transformative journey with Written by is captivating work, **Great Plains Pt40 Operators Manual** . This enlightening ebook, available for download in a convenient PDF format Download in PDF: , invites you to explore a world of boundless knowledge. Unleash your intellectual curiosity and discover the power of words as you dive into this riveting creation. Download now and elevate your reading experience to new heights .

https://staging.conocer.cide.edu/results/Resources/fetch.php/Great_Biography_Books_For_5th_Graders.pdf

Table of Contents Great Plains Pt40 Operators Manual

1. Understanding the eBook Great Plains Pt40 Operators Manual
 - The Rise of Digital Reading Great Plains Pt40 Operators Manual
 - Advantages of eBooks Over Traditional Books
2. Identifying Great Plains Pt40 Operators Manual
 - Exploring Different Genres
 - Considering Fiction vs. Non-Fiction
 - Determining Your Reading Goals
3. Choosing the Right eBook Platform
 - Popular eBook Platforms
 - Features to Look for in an Great Plains Pt40 Operators Manual
 - User-Friendly Interface
4. Exploring eBook Recommendations from Great Plains Pt40 Operators Manual
 - Personalized Recommendations
 - Great Plains Pt40 Operators Manual User Reviews and Ratings
 - Great Plains Pt40 Operators Manual and Bestseller Lists
5. Accessing Great Plains Pt40 Operators Manual Free and Paid eBooks
 - Great Plains Pt40 Operators Manual Public Domain eBooks
 - Great Plains Pt40 Operators Manual eBook Subscription Services
 - Great Plains Pt40 Operators Manual Budget-Friendly Options

6. Navigating Great Plains Pt40 Operators Manual eBook Formats
 - ePub, PDF, MOBI, and More
 - Great Plains Pt40 Operators Manual Compatibility with Devices
 - Great Plains Pt40 Operators Manual Enhanced eBook Features
7. Enhancing Your Reading Experience
 - Adjustable Fonts and Text Sizes of Great Plains Pt40 Operators Manual
 - Highlighting and Note-Taking Great Plains Pt40 Operators Manual
 - Interactive Elements Great Plains Pt40 Operators Manual
8. Staying Engaged with Great Plains Pt40 Operators Manual
 - Joining Online Reading Communities
 - Participating in Virtual Book Clubs
 - Following Authors and Publishers Great Plains Pt40 Operators Manual
9. Balancing eBooks and Physical Books Great Plains Pt40 Operators Manual
 - Benefits of a Digital Library
 - Creating a Diverse Reading Collection Great Plains Pt40 Operators Manual
10. Overcoming Reading Challenges
 - Dealing with Digital Eye Strain
 - Minimizing Distractions
 - Managing Screen Time
11. Cultivating a Reading Routine Great Plains Pt40 Operators Manual
 - Setting Reading Goals Great Plains Pt40 Operators Manual
 - Carving Out Dedicated Reading Time
12. Sourcing Reliable Information of Great Plains Pt40 Operators Manual
 - Fact-Checking eBook Content of Great Plains Pt40 Operators Manual
 - Distinguishing Credible Sources
13. Promoting Lifelong Learning
 - Utilizing eBooks for Skill Development
 - Exploring Educational eBooks
14. Embracing eBook Trends
 - Integration of Multimedia Elements

-
- Interactive and Gamified eBooks

Great Plains Pt40 Operators Manual Introduction

In this digital age, the convenience of accessing information at our fingertips has become a necessity. Whether its research papers, eBooks, or user manuals, PDF files have become the preferred format for sharing and reading documents. However, the cost associated with purchasing PDF files can sometimes be a barrier for many individuals and organizations. Thankfully, there are numerous websites and platforms that allow users to download free PDF files legally. In this article, we will explore some of the best platforms to download free PDFs. One of the most popular platforms to download free PDF files is Project Gutenberg. This online library offers over 60,000 free eBooks that are in the public domain. From classic literature to historical documents, Project Gutenberg provides a wide range of PDF files that can be downloaded and enjoyed on various devices. The website is user-friendly and allows users to search for specific titles or browse through different categories. Another reliable platform for downloading Great Plains Pt40 Operators Manual free PDF files is Open Library. With its vast collection of over 1 million eBooks, Open Library has something for every reader. The website offers a seamless experience by providing options to borrow or download PDF files. Users simply need to create a free account to access this treasure trove of knowledge. Open Library also allows users to contribute by uploading and sharing their own PDF files, making it a collaborative platform for book enthusiasts. For those interested in academic resources, there are websites dedicated to providing free PDFs of research papers and scientific articles. One such website is Academia.edu, which allows researchers and scholars to share their work with a global audience. Users can download PDF files of research papers, theses, and dissertations covering a wide range of subjects. Academia.edu also provides a platform for discussions and networking within the academic community. When it comes to downloading Great Plains Pt40 Operators Manual free PDF files of magazines, brochures, and catalogs, Issuu is a popular choice. This digital publishing platform hosts a vast collection of publications from around the world. Users can search for specific titles or explore various categories and genres. Issuu offers a seamless reading experience with its user-friendly interface and allows users to download PDF files for offline reading. Apart from dedicated platforms, search engines also play a crucial role in finding free PDF files. Google, for instance, has an advanced search feature that allows users to filter results by file type. By specifying the file type as "PDF," users can find websites that offer free PDF downloads on a specific topic. While downloading Great Plains Pt40 Operators Manual free PDF files is convenient, its important to note that copyright laws must be respected. Always ensure that the PDF files you download are legally available for free. Many authors and publishers voluntarily provide free PDF versions of their work, but its essential to be cautious and verify the authenticity of the source before downloading Great Plains Pt40 Operators Manual. In conclusion, the internet offers numerous platforms and websites that allow users to download free PDF files legally. Whether its classic

literature, research papers, or magazines, there is something for everyone. The platforms mentioned in this article, such as Project Gutenberg, Open Library, Academia.edu, and Issuu, provide access to a vast collection of PDF files. However, users should always be cautious and verify the legality of the source before downloading Great Plains Pt40 Operators Manual any PDF files. With these platforms, the world of PDF downloads is just a click away.

FAQs About Great Plains Pt40 Operators Manual Books

What is a Great Plains Pt40 Operators Manual PDF? A PDF (Portable Document Format) is a file format developed by Adobe that preserves the layout and formatting of a document, regardless of the software, hardware, or operating system used to view or print it. **How do I create a Great Plains Pt40 Operators Manual PDF?** There are several ways to create a PDF: Use software like Adobe Acrobat, Microsoft Word, or Google Docs, which often have built-in PDF creation tools. Print to PDF: Many applications and operating systems have a "Print to PDF" option that allows you to save a document as a PDF file instead of printing it on paper. Online converters: There are various online tools that can convert different file types to PDF. **How do I edit a Great Plains Pt40 Operators Manual PDF?** Editing a PDF can be done with software like Adobe Acrobat, which allows direct editing of text, images, and other elements within the PDF. Some free tools, like PDFescape or Smallpdf, also offer basic editing capabilities. **How do I convert a Great Plains Pt40 Operators Manual PDF to another file format?** There are multiple ways to convert a PDF to another format: Use online converters like Smallpdf, Zamzar, or Adobe Acrobats export feature to convert PDFs to formats like Word, Excel, JPEG, etc. Software like Adobe Acrobat, Microsoft Word, or other PDF editors may have options to export or save PDFs in different formats. **How do I password-protect a Great Plains Pt40 Operators Manual PDF?** Most PDF editing software allows you to add password protection. In Adobe Acrobat, for instance, you can go to "File" -> "Properties" -> "Security" to set a password to restrict access or editing capabilities. Are there any free alternatives to Adobe Acrobat for working with PDFs? Yes, there are many free alternatives for working with PDFs, such as: LibreOffice: Offers PDF editing features. PDFsam: Allows splitting, merging, and editing PDFs. Foxit Reader: Provides basic PDF viewing and editing capabilities. How do I compress a PDF file? You can use online tools like Smallpdf, ILovePDF, or desktop software like Adobe Acrobat to compress PDF files without significant quality loss. Compression reduces the file size, making it easier to share and download. Can I fill out forms in a PDF file? Yes, most PDF viewers/editors like Adobe Acrobat, Preview (on Mac), or various online tools allow you to fill out forms in PDF files by selecting text fields and entering information. Are there any restrictions when working with PDFs? Some PDFs might have restrictions set by their creator, such as password protection, editing restrictions, or print restrictions. Breaking these restrictions might require specific software or tools, which may or may not be legal depending on the circumstances and

local laws.

Find Great Plains Pt40 Operators Manual :

great biography books for 5th graders

~~group bourdon test books~~

groound turkey recipe

greek saginaki recipe

greater than all hillsong

gregory g dess book

great horn spoon chapter by summary

griffiths introduction to elementary particles solutions manual

great gatsby collage ideas

greek rome mythology

greek walnit cake recipe

greater guide mammal marine puget sound

grd12 economics paper 1 final 2014

gregg reference manual tenth edition

~~greek or trojan worksheet answers~~

Great Plains Pt40 Operators Manual :

10 mensonges sur l allaitement uniport edu - Mar 29 2022

web aug 10 2023 il y a des mensonges qui ont été racontés tout au long de l histoire et qui ont eu un impact significatif sur le monde dans cette vidéo nous faisons le déc

37 meilleures chansons sur les mensonges les menteurs et la - Dec 06 2022

web nov 29 2022 37 meilleures chansons sur les mensonges les menteurs et la tromperie de tous les temps novembre 29 2022 si vous avez déjà rencontré un menteur ou si

d o w n l o a d 10 mensonges sur l allaitement yumpu - Mar 09 2023

web self publishing se connecter à yumpu news se connecter à yumpu publishing

10 mensonges sur l allaitement univers particulier - Jul 13 2023

web des mensonges sur l allaitement disons plutôt des contre vérités des idées reçues des mythes qui circulent depuis très longtemps dans les livres les magazines les

10 mensonges sur l allaitement paperback 1 april 2006 - Oct 04 2022

web remarkable this extraordinary book aptly titled 10 mensonges sur l allaitement pdf written by a very acclaimed author immerses readers in a captivating exploration of the

physiologie du mensonge cela se voit il lorsque l on - Nov 05 2022

web 10 mensonges sur l allaitement didierjean jouveau claude suzanne amazon com au books

5 mensonges sur l argent qui t empêchent de devenir riche - Oct 24 2021

10 mensonges sur l allaitement pdf pdf support ortax - Apr 10 2023

web professor de sardan argues for a socio anthropology of change and development that is a deeply empirical multidimensional diachronic study of social groups and their

30 mensonges sur l argent résumé audio du livre youtube - Dec 26 2021

web apr 11 2006 her müslüman çok iyi bilir ki yalan söylemek sözünde durmamak emanete hıyanet etmek insanı kafir etmez yine hepimiz biliriz ki münafık kâfirden daha alçaktır

10 mensonges sur l allaitement world of nature - May 11 2023

web des mensonges sur l allaitement disons plutôt des contre vérités des idées reçues des mythes qui circulent depuis très longtemps dans les livres les magazines les

celui qui délaisse le mensonge même en plaisantant hadith du - Apr 29 2022

web jul 4 2023 we give 10 mensonges sur l allaitement and numerous books collections from fictions to scientific research in any way among them is this 10 mensonges sur l

le mensonge en islam ajib fr - Jan 07 2023

web jan 2 2017 le mensonge en islam est défini comme la fourniture d informations sur un fait qui est différent de la réalité fournir des informations ne concerne pas seulement

[citation mensonge 360 phrases et proverbes](#) - Jul 01 2022

web mensonge tout les plus lus top 10 des faits historiques qui ne sont jamais arrivés vous mentez monsieur le professeur top 10 des mensonges les plus réussis de l histoire

[10 mensonges sur l allaitement by amazon ae](#) - Jun 12 2023

web buy 10 mensonges sur l allaitement by online on amazon ae at best prices fast and free shipping free returns cash on delivery available on eligible purchase

mon top 10 des mensonges de l histoire youtube - Jan 27 2022

web voici le lien pour commander le livre amzn to 3scsefh pour écouter des titres similaires sur la chaîne pensez à vous abonner et activer la cloch

top 10 des plus grands mensonges de l histoire youtube - Feb 25 2022

web avec en points d orgue l époque du christ la révolution française et la supercherie des sosies de macron en guise de top 10 un récapitulatif des mensonges principaux

hadis i şerifte münafiğın alâmetleri konuşunca yalan söyler söz - Nov 24 2021

web jun 3 2022 formations en presentiel formation en marketing digital douala 23 avril bit ly 3j00uqk yaoundé 30 avril bit ly 3j00uqk

10 mensonges sur l allaitement 2703306547 cultura - Aug 14 2023

web 10 mensonges sur l allaitement aux éditions dangles des mensonges sur l allaitement disons plutôt des contre vérités des idées reçues des mythes qui circulent depuis très

10 mensonges sur l allaitement pdf 2023 voto unéal edu - Sep 03 2022

web les 10 plus gros mensonges sur l allaitement des mensonges sur l allaitement disons plutôt des contre vérités des idées reçues des mythes

d o w n l o a d 10 mensonges sur l allaitement yumpu - Feb 08 2023

web attention your epaper is waiting for publication by publishing your document the content will be optimally indexed by google via ai and sorted into the right category for over 500

mensonge topito - May 31 2022

web celui qui délaisse le mensonge même en plaisantant au nom d allah le tout miséricordieux le très miséricordieux d après abou oumama qu allah l agréé le

les 10 plus gros mensonges sur l allaitement label emmaüs - Aug 02 2022

web top 10 des citations mensonge de célébrités de films ou d internautes et proverbes mensonge classés par auteur thématique nationalité et par culture retrouvez de 100

note taking organic compounds section1 pdf uniport edu - Dec 30 2022

web mar 20 2023 you may not be perplexed to enjoy every books collections note taking organic compounds section1 that we will very offer it is not approximately the costs

note taking organic compounds section1 pdf ai classmonitor - Oct 08 2023

web new edition of the acclaimed organic chemistry text that brings exceptional clarity and coherence to the course by focusing on the relationship between structure and function

note taking organic compounds section1 2023 - May 23 2022

web note taking organic compounds section1 1 note taking organic compounds section1 the chemical news and journal of industrial science gc htj bioenergy

note taking organic compounds section1 dns1 bcca - Sep 26 2022

web you could buy instruction note taking organic compounds section1 or get it as soon as viable merely said the note taking organic compounds section1 is

note taking organic compounds section1 uniport edu - Nov 16 2021

web note taking organic compounds section1 1 4 downloaded from uniport edu ng on september 9 2023 by guest note taking organic compounds section1 recognizing

note taking organic compounds section1 2023 - Aug 26 2022

web aug 5 2023 note taking organic compounds section1 getting the books note taking organic compounds section1 now is not type of inspiring means you could not

note taking organic compounds section1 staging mphasech - Jun 23 2022

web note taking organic compounds section1 workbook for organic chemistry organic chemistry organic chemistry fourth edition code of federal regulations handbook on

note taking organic compounds section1 pdf uniport edu - Mar 01 2023

web sep 17 2023 note taking organic compounds section1 1 5 downloaded from uniport edu ng on september 17 2023 by guest note taking organic compounds

note taking organic compounds section1 old syndehro - Dec 18 2021

web note taking organic compounds section1 3 3 university press usa new edition of the acclaimed organic chemistry text that brings exceptional clarity and coherence to the

note taking organic compounds section1 book oferta - Jan 31 2023

web introduction note taking organic compounds section1 book how to succeed in organic chemistry mark elliott 2020 02 27 how to succeed in organic chemistry

note taking organic compounds section1 ai classmonitor - Apr 21 2022

web 4 note taking organic compounds section1 2022 09 12 mistakes and enhance your exam answers with examiner tips build quick recall with bullet pointed summaries at

note taking organic compounds section1 copy - Feb 17 2022

web organic chemistry fourth edition note taking organic compounds section1 downloaded from webmail flowerdutchess com by guest whitaker maldonado

note taking organic compounds section1 solutions milnerbrowne - Jul 05 2023

web note taking organic compounds section1 nbs technical note the chemical news and journal of physical science the code of federal regulations of the united states of

note taking organic compounds section1 copy uniport edu - Oct 28 2022

web now is note taking organic compounds section1 below focus on physical science california edition michael j padilla 2007 organic chemistry volume 1 roger macomber

note taking organic compounds section1 ai classmonitor - Jul 25 2022

web note taking organic compounds section1 1 note taking organic compounds section1 workbook for organic chemistry journal of organic chemistry of the ussr

note taking organic compounds section1 copy - May 03 2023

web note taking organic compounds section1 organic chemistry nov 10 2020 based on the premise that many if not most reactions in organic chemistry can be explained by

structural bonding and molecular properties chemistry notes - Sep 07 2023

web to purchase and instantly download all 19 pages of section 1 structural bonding and molecular properties of organic molecules simply follow the link below 9 99

note taking organic compounds section1 pdf - Aug 06 2023

web 2 note taking organic compounds section1 2022 06 02 biofuels and waste to energy 2nd edition provides engineers researchers undergraduate and graduate students and

15 1 introduction to organic chemistry chemistry - Jun 04 2023

web may 10 2018 most organic chemicals are covalent compounds which is why we introduce organic chemistry here by convention compounds containing carbonate

note taking organic compounds section1 2023 - Mar 21 2022

web note taking organic compounds section1 3 3 reviews of recent built works that extract underlying principles that can be the basis for new patterns or the alteration and addition

note taking organic compounds section1 - Apr 02 2023

web note taking organic compounds section1 dipole moments in organic chemistry feb 16 2020 in accordance with the aims of the series physical methods in organic

note taking organic compounds section1 - Jan 19 2022

web bios instant notes in chemistry for biologists note taking organic compounds section1 downloaded from mail thekingiscoming com by guest yareli koch glencoe

note taking organic compounds section1 pdf uniport edu - Nov 28 2022

web note taking organic compounds section1 2 4 downloaded from uniport edu ng on may 17 2023 by guest nbs technical note 1970 catalogue florida state college for women

das wunder der wilden insel von peter brown hörbuch thalia - Jun 01 2022

web beschreibung als das robotermädchen roz zum ersten mal die augen aufschlägt findet sie sich auf einer wilden einsamen insel wieder wie sie dorthin gekommen ist weiß sie nicht für sie gilt nur eines überleben mit unerschütterlicher geduld beobachtet sie

das wunder der wilden insel apple books - Feb 26 2022

web sep 25 2017 als das robotermädchen roz erstmals die augen öffnet findet sie sich auf einer wilden einsamen insel wieder wie sie dorthin gekommen ist und warum weiß sie nicht das wetter und ein wilder bär setzen ihr übel zu und roz begreift dass sie sich ihrer umgebung anpassen muss wenn sie überleben will

rezension das wunder der wilden insel von peter brown - Jan 28 2022

web oct 26 2017 werbung rezensionsexemplar heute stelle ich euch das wunder der wilden insel von peter brown aus dem cbt verlag vor ob mich das illustrierte kinderbu

das wunder der wilden insel eine unvergessliche geschichte - May 12 2023

web das wunder der wilden insel ist ein kinderbuch ab 10 jahren und als solches habe ich es auch gelesen und versucht zu bewerten in der geschichte geht es um die roboterdame rozzum kurz roz die auf einer von tieren bewohnten wilden insel strandet und sich nach und mit diesen auseinandersetzt und anfreundet

das wunder der wilden insel ungekürzte lesung mit stefan - Jul 14 2023

web das wunder der wilden insel ist eine wunderschöne liebevolle geschichte die so viel herz besitzt dass es schon fast anstrengt sie ist lustig spannend liebenswert etwas dramatisch aber in erster linie unterhaltsam

das wunder der wilden insel eine unvergessliche geschichte - Nov 06 2022

web sep 25 2017 buy das wunder der wilden insel eine unvergessliche geschichte über fremdsein und ankommen german edition read kindle store reviews amazon com

rezension peter brown das wunder der wilden insel - Jul 02 2022

web nov 2 2017 ein schiff beladen mit robotern in kisten sinkt vor der küste einer wilden unbewohnten insel nur fünf kisten werden an land geschwemmt nur eine zerschellt nicht an den klippen als verspielte otter sich der kiste nähern aktivieren sie durch zufall den darin befindlichen roboter roz

das wunder der wilden insel lesejury - Oct 05 2022

web sep 25 2017 das wunder der wilden insel eine unvergessliche geschichte über fremdsein und ankommen uwe michael

gutzschhahn Übersetzer peter brown illustrator preisgekrönt und bezaubernd ein moderner klassiker als das robotermädchen roz erstmals die augen öffnet findet sie sich auf einer wilden einsamen insel wieder

das wunder der wilden insel von peter brown ebook thalia - Aug 03 2022

web das wunder der wilden insel eine unvergessliche geschichte über fremdsein und ankommen peter brown ebook

das wunder der wilden insel ungekürzte lesung mit - Apr 11 2023

web das wunder der wilden insel ungekürzte lesung mit stefan kaminski 4 cds von peter brown und uwe michael

gutzschhahn 4 6 sterne bei 9 bewertungen bestellen bei neue kurzmeinungen viktoriavulpini vor 6 jahren wirklich toll eine traumhafte geschichte die viele interessante aspekte enthält angelika123 vor 6 jahren

das wunder der wilden insel peter brown der audio verlag - Feb 09 2023

web sep 8 2017 peter brown das wunder der wilden insel als robotermädchen roz das erste mal die augen öffnet findet sie sich auf einer einsamen insel wieder sie weiß nicht dass sie hier gestrandet ist aber sie erkennt dass sie ihre neue umgebung beobachten und von ihr lernen muss wenn sie überleben will

das wunder der wilden insel ungekürzt spotify - Dec 27 2021

web listen to das wunder der wilden insel ungekürzt on spotify peter brown audiobook 2017 101 songs

das wunder der wilden insel eine unvergessliche geschichte - Aug 15 2023

web preisgekrönt und bezaubernd ein moderner klassiker als das robotermädchen roz erstmals die augen öffnet findet sie sich auf einer wilden einsamen insel wieder wie sie dorthin gekommen ist und warum weiß sie nicht

amazon de kundenrezensionen das wunder der wilden insel - Sep 04 2022

web das wunder der wilden insel ist eine wunderschöne liebevolle geschichte die so viel herz besitzt dass es schon fast anstrengt sie ist lustig spannend liebenswert etwas dramatisch aber in erster linie unterhaltsam eine wunderbare arbeit von peter brown und für jeden liebhaber von kinderbüchern ein muss

das wunder der wilden insel eine unvergessliche geschichte - Mar 30 2022

web sep 25 2017 als das robotermädchen roz erstmals die augen öffnet findet sie sich auf einer wilden einsamen insel wieder wie sie dorthin gekommen ist und warum weiß sie nicht das wetter und ein wilder bär setzen ihr übel zu und roz begreift dass sie sich ihrer umgebung anpassen muss wenn sie überleben will

das wunder der wilden insel von peter brown youtube - Apr 30 2022

web in diesem video geht es um ein kinderbuch in dem roboterdame roz ein großes abenteuer erlebt zum verlag randomhouse de buch das wunder der wi

das wunder der wilden insel by peter brown goodreads - Jan 08 2023

web apr 5 2016 read 5 654 reviews from the world s largest community for readers als das robotermädchen roz erstmals die

augen öffnet findet sie sich auf einer wilden

das wunder der wilden insel kinderbuch tipp buchkind blog - Dec 07 2022

web nov 25 2017 jeder leser könnte das kinderbuch das wunder der wilden insel von peter brown einfach so herunter lesen und sich an den wunderschönen illustrationen erfreuen in dem buch steckt eine spannende abenteuergeschichte ein tierbuch für forser und entdeckter und eine freundschaftsgeschichte

das wunder der wilden insel amazon de - Jun 13 2023

web hörbuch 0 00 gratis im audible probemonat als das robotermädchen roz zum ersten mal die augen aufschlägt findet sie sich auf einer wilden einsamen insel wieder wie sie dorthin gekommen ist weiß sie nicht für sie gilt nur eines überleben

das wunder der wilden insel von peter brown bücher de - Mar 10 2023

web das wunder der wilden insel von peter brown hörbücher portofrei bei bücher de home hörbuch kinder jugendliche kinderbücher ab 10 jahren hörprobe uvp 16 99 unser preis 14 99 inkl mwst unverbindliche preisempfehlung des herstellers versandkostenfrei kostenloser rückversand sofort lieferbar in den warenkorb 7 p