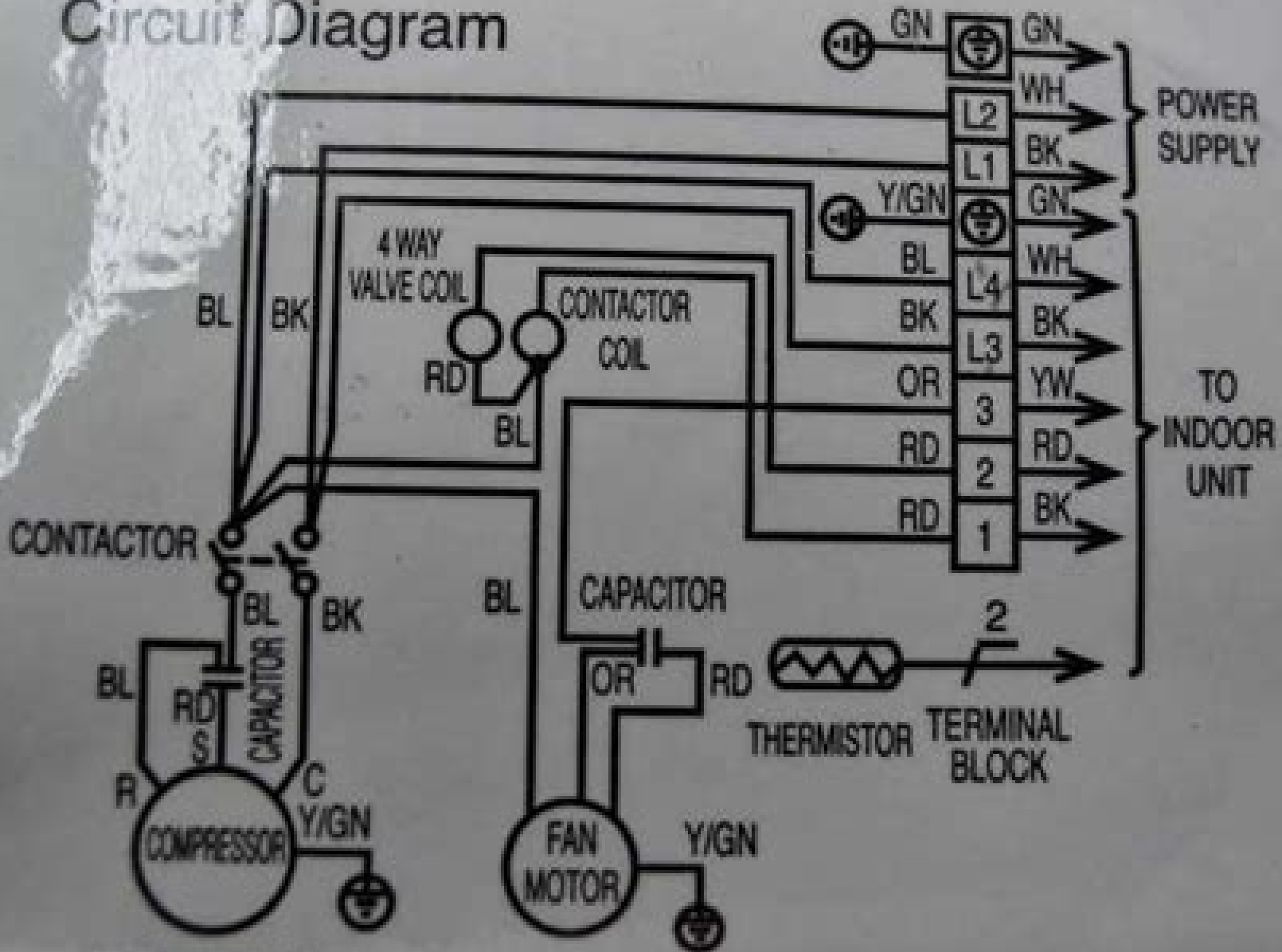


Circuit Diagram



Fujitsu Mini Split Wiring

Sebastian Brünink



Fujitsu Mini Split Wiring:

This is likewise one of the factors by obtaining the soft documents of this **Fujitsu Mini Split Wiring** by online. You might not require more era to spend to go to the books establishment as with ease as search for them. In some cases, you likewise pull off not discover the message Fujitsu Mini Split Wiring that you are looking for. It will no question squander the time.

However below, considering you visit this web page, it will be suitably enormously easy to acquire as capably as download lead Fujitsu Mini Split Wiring

It will not say yes many time as we accustom before. You can accomplish it even though decree something else at house and even in your workplace. so easy! So, are you question? Just exercise just what we pay for below as skillfully as evaluation **Fujitsu Mini Split Wiring** what you bearing in mind to read!

https://staging.conocer.cide.edu/results/detail/index.jsp/Expressions_Of_My_Own_Heart.pdf

Table of Contents Fujitsu Mini Split Wiring

1. Understanding the eBook Fujitsu Mini Split Wiring
 - The Rise of Digital Reading Fujitsu Mini Split Wiring
 - Advantages of eBooks Over Traditional Books
2. Identifying Fujitsu Mini Split Wiring
 - Exploring Different Genres
 - Considering Fiction vs. Non-Fiction
 - Determining Your Reading Goals
3. Choosing the Right eBook Platform
 - Popular eBook Platforms
 - Features to Look for in an Fujitsu Mini Split Wiring
 - User-Friendly Interface
4. Exploring eBook Recommendations from Fujitsu Mini Split Wiring
 - Personalized Recommendations

-
- Fujitsu Mini Split Wiring User Reviews and Ratings
 - Fujitsu Mini Split Wiring and Bestseller Lists
 - 5. Accessing Fujitsu Mini Split Wiring Free and Paid eBooks
 - Fujitsu Mini Split Wiring Public Domain eBooks
 - Fujitsu Mini Split Wiring eBook Subscription Services
 - Fujitsu Mini Split Wiring Budget-Friendly Options
 - 6. Navigating Fujitsu Mini Split Wiring eBook Formats
 - ePub, PDF, MOBI, and More
 - Fujitsu Mini Split Wiring Compatibility with Devices
 - Fujitsu Mini Split Wiring Enhanced eBook Features
 - 7. Enhancing Your Reading Experience
 - Adjustable Fonts and Text Sizes of Fujitsu Mini Split Wiring
 - Highlighting and Note-Taking Fujitsu Mini Split Wiring
 - Interactive Elements Fujitsu Mini Split Wiring
 - 8. Staying Engaged with Fujitsu Mini Split Wiring
 - Joining Online Reading Communities
 - Participating in Virtual Book Clubs
 - Following Authors and Publishers Fujitsu Mini Split Wiring
 - 9. Balancing eBooks and Physical Books Fujitsu Mini Split Wiring
 - Benefits of a Digital Library
 - Creating a Diverse Reading Collection Fujitsu Mini Split Wiring
 - 10. Overcoming Reading Challenges
 - Dealing with Digital Eye Strain
 - Minimizing Distractions
 - Managing Screen Time
 - 11. Cultivating a Reading Routine Fujitsu Mini Split Wiring
 - Setting Reading Goals Fujitsu Mini Split Wiring
 - Carving Out Dedicated Reading Time
 - 12. Sourcing Reliable Information of Fujitsu Mini Split Wiring
 - Fact-Checking eBook Content of Fujitsu Mini Split Wiring

-
- Distinguishing Credible Sources
13. Promoting Lifelong Learning
 - Utilizing eBooks for Skill Development
 - Exploring Educational eBooks
 14. Embracing eBook Trends
 - Integration of Multimedia Elements
 - Interactive and Gamified eBooks

Fujitsu Mini Split Wiring Introduction

In the digital age, access to information has become easier than ever before. The ability to download Fujitsu Mini Split Wiring has revolutionized the way we consume written content. Whether you are a student looking for course material, an avid reader searching for your next favorite book, or a professional seeking research papers, the option to download Fujitsu Mini Split Wiring has opened up a world of possibilities. Downloading Fujitsu Mini Split Wiring provides numerous advantages over physical copies of books and documents. Firstly, it is incredibly convenient. Gone are the days of carrying around heavy textbooks or bulky folders filled with papers. With the click of a button, you can gain immediate access to valuable resources on any device. This convenience allows for efficient studying, researching, and reading on the go. Moreover, the cost-effective nature of downloading Fujitsu Mini Split Wiring has democratized knowledge. Traditional books and academic journals can be expensive, making it difficult for individuals with limited financial resources to access information. By offering free PDF downloads, publishers and authors are enabling a wider audience to benefit from their work. This inclusivity promotes equal opportunities for learning and personal growth. There are numerous websites and platforms where individuals can download Fujitsu Mini Split Wiring. These websites range from academic databases offering research papers and journals to online libraries with an expansive collection of books from various genres. Many authors and publishers also upload their work to specific websites, granting readers access to their content without any charge. These platforms not only provide access to existing literature but also serve as an excellent platform for undiscovered authors to share their work with the world. However, it is essential to be cautious while downloading Fujitsu Mini Split Wiring. Some websites may offer pirated or illegally obtained copies of copyrighted material. Engaging in such activities not only violates copyright laws but also undermines the efforts of authors, publishers, and researchers. To ensure ethical downloading, it is advisable to utilize reputable websites that prioritize the legal distribution of content. When downloading Fujitsu Mini Split Wiring, users should also consider the potential security risks associated with online platforms. Malicious actors may exploit vulnerabilities in unprotected websites to distribute malware or steal personal information. To protect themselves,

individuals should ensure their devices have reliable antivirus software installed and validate the legitimacy of the websites they are downloading from. In conclusion, the ability to download Fujitsu Mini Split Wiring has transformed the way we access information. With the convenience, cost-effectiveness, and accessibility it offers, free PDF downloads have become a popular choice for students, researchers, and book lovers worldwide. However, it is crucial to engage in ethical downloading practices and prioritize personal security when utilizing online platforms. By doing so, individuals can make the most of the vast array of free PDF resources available and embark on a journey of continuous learning and intellectual growth.

FAQs About Fujitsu Mini Split Wiring Books

1. Where can I buy Fujitsu Mini Split Wiring books? Bookstores: Physical bookstores like Barnes & Noble, Waterstones, and independent local stores. Online Retailers: Amazon, Book Depository, and various online bookstores offer a wide range of books in physical and digital formats.
2. What are the different book formats available? Hardcover: Sturdy and durable, usually more expensive. Paperback: Cheaper, lighter, and more portable than hardcovers. E-books: Digital books available for e-readers like Kindle or software like Apple Books, Kindle, and Google Play Books.
3. How do I choose a Fujitsu Mini Split Wiring book to read? Genres: Consider the genre you enjoy (fiction, non-fiction, mystery, sci-fi, etc.). Recommendations: Ask friends, join book clubs, or explore online reviews and recommendations. Author: If you like a particular author, you might enjoy more of their work.
4. How do I take care of Fujitsu Mini Split Wiring books? Storage: Keep them away from direct sunlight and in a dry environment. Handling: Avoid folding pages, use bookmarks, and handle them with clean hands. Cleaning: Gently dust the covers and pages occasionally.
5. Can I borrow books without buying them? Public Libraries: Local libraries offer a wide range of books for borrowing. Book Swaps: Community book exchanges or online platforms where people exchange books.
6. How can I track my reading progress or manage my book collection? Book Tracking Apps: Goodreads, LibraryThing, and Book Catalogue are popular apps for tracking your reading progress and managing book collections. Spreadsheets: You can create your own spreadsheet to track books read, ratings, and other details.
7. What are Fujitsu Mini Split Wiring audiobooks, and where can I find them? Audiobooks: Audio recordings of books, perfect for listening while commuting or multitasking. Platforms: Audible, LibriVox, and Google Play Books offer a wide selection of audiobooks.

8. How do I support authors or the book industry? Buy Books: Purchase books from authors or independent bookstores. Reviews: Leave reviews on platforms like Goodreads or Amazon. Promotion: Share your favorite books on social media or recommend them to friends.
9. Are there book clubs or reading communities I can join? Local Clubs: Check for local book clubs in libraries or community centers. Online Communities: Platforms like Goodreads have virtual book clubs and discussion groups.
10. Can I read Fujitsu Mini Split Wiring books for free? Public Domain Books: Many classic books are available for free as they're in the public domain. Free E-books: Some websites offer free e-books legally, like Project Gutenberg or Open Library.

Find Fujitsu Mini Split Wiring :

expressions of my own heart

f2 gleaner service manual

explorer xs manual

[ez go golf carts service manual](#)

[extra practice 7 ratios and proportions answers](#)

f eacute lix guattari a critical introduction modern european thinkers

eyes nose mouth coloring pages

[ez go xi875 manual](#)

exxon valdez accident report

[f150 6 cylinder manual trans](#)

exploring lifespan development first edition study guide

exploring harry potter

explore learning air track gizmo answers

exploring science 8 respiration test markscheme

eye to eye volume 4

Fujitsu Mini Split Wiring :

[how to play the blues on guitar 15 steps with pictures wikipedi](#) - Dec 31 2021

web carbon offset shipping your purchases also help protect forests including trees traditionally used to make instruments

[blues guitar bible guitar recorded versions amazon com](#) - Sep 20 2023

web dec 1 2000 only 4 left in stock more on the way guitar recorded versions this bountiful blues songbook features exact transcriptions of 35 classics including all your

[blues guitar bible guitar recorded versions reverb](#) - Jun 17 2023

web this bountiful blues songbook features exact transcriptions 35 classics including all your love miss lovin boom boom everyday have the blues hide away i can t quit

hal leonard blues rock guitar bible thomann united states - Jul 06 2022

web blues guitar bible author hal leonard publishing corporation dec 2000 amazon com tr kitap

blues guitar bible reverb - Oct 29 2021

[guitar bible blues rock pdf d49odop5m649 documents and e](#) - Feb 01 2022

web this bountiful blues songbook features exact transcriptions of 35 classics including all your love i miss lovin boom boom everyday i have the blues hide away i

[blues guitar bible hal leonard corp amazon com au](#) - Oct 09 2022

web shop and buy blues rock guitar bible 2nd edition sheet music guitar sheet music book by various simon schuster at sheet music plus hl 690450

blues rock guitar bible 2nd edition guitar recorded - Apr 15 2023

web view the product blues rock guitar bible 2nd edition series guitar recorded versions medium format softcover contributors various

[amazon com customer reviews blues guitar bible guitar](#) - Nov 10 2022

web this bountiful blues songbook features exact transcriptions of 35 classics including all your love i miss lovin boom boom everyday i have the blues hide away i

pdf blues rock guitar bible pdf free download pdf - Mar 02 2022

web feb 25 2021 7 play the open string and the 3rd fret of the last two strings the last two strings are identical to the first string simply create this little box between the open string

blues guitar bible guitar recorded version reverb - Nov 29 2021

blues guitar bible google docs - Dec 11 2022

web find helpful customer reviews and review ratings for blues guitar bible guitar recorded versions at amazon com read honest and unbiased product reviews from our users

[blues guitar bible guitar recorded versions paperback](#) - May 16 2023

web this bountiful blues songbook features exact transcriptions of 35 classics including all your love i miss lovin boom boom everyday i have the blues hide away i

[blues guitar bible author hal leonard publishing](#) - Jun 05 2022

web blues guitar bible guitar recorded versions 2000 free ebook download as pdf file pdf or read book online for free

blues rock guitar bible 2nd edition sheet music plus - Sep 08 2022

web guitar recorded version mixedthis bountiful blues songbook features exact transcriptions of 35 classics including all your love i miss lovin boom boom everyday i have

[blues guitar bible guitar recorded versions kağıt kapak](#) - Mar 14 2023

web blues guitar bible guitar recorded versions hal leonard corp amazon com tr Çerez tercihlerinizi seçin Çerez bildirimimizde detaylandırıldığı üzere satın alım yapmanızı

blues guitar bible guitar recorded versions 2000 pdf scribd - May 04 2022

web download blues rock guitar bible pdf free in pdf format account 40 77 167 73 login register search search partner sites youtube to mp3 converter about us this project

[blues guitar bible reverb](#) - Jul 18 2023

web may 25 2023 this bountiful blues songbook features exact transcriptions of 35 classics including all your love i miss lovin boom boom everyday i have the blues

blues guitar bible free download borrow and streaming - Aug 19 2023

web inlibrary printdisabled internetarchivebooks contributor internet archive language english 1 score 240 pages 31 cm for voice and guitar s with chord symbols and

[blues guitar bible guitar recorded versions goodreads](#) - Aug 07 2022

web hal leonard blues rock guitar bible songbook for the electric guitar 34 of the greatest blues rock songs transcribed 33 to the product

blues guitar bible paperback dec 1 2000 amazon ca - Jan 12 2023

web this bountiful blues songbook features exact transcriptions of 35 classics including all your love i miss lovin boom boom everyday i have the blues hide away i

blues guitar bible sheet music plus - Feb 13 2023

web dec 1 2000 blues guitar bible paperback dec 1 2000 by hal leonard music books author 4 5 39 ratings see all formats and editions there is a newer edition of this item

blues rock guitar bible amazon com - Apr 03 2022

web guitar bible blues rock pdf uploaded by bj february 2022 pdf bookmark download this document was uploaded by user and they confirmed that they have the permission

the real dixieland book bb instruments fake book - Nov 14 2022

web the real r b book b flat instruments sheet music fake book 276590 by hal leonard buy the official hal leonard fake book the real r b book b flat

the real dixieland book b flat instruments fake book by - Sep 12 2022

web the real dixieland book songbook b flat instruments fake book ebook rawlins robert amazon in kindle store

the real dixieland book bb instruments hal leonard online - Jun 21 2023

web the real dixieland book b flat instruments fake book bb instruments robert rawlins on amazon com au free shipping on eligible orders the real dixieland

amazon com au customer reviews the real dixieland book b - Jul 10 2022

web the real dixieland book b flat instruments fake book by robert rawlins 2014 07 01 robert rawlins books amazon ca

buy the real dixieland book b flat instruments fake book - Oct 13 2022

web find helpful customer reviews and review ratings for the real dixieland book b flat instruments fake book bb instruments at amazon com read honest and unbiased

the real dixieland book b flat instruments fake book by - Nov 02 2021

the real dixieland book b flat instruments fake book by - Apr 07 2022

web the real dixieland book b flat instruments fake book by rawlins robert 2014 paperback on amazon com free shipping on qualifying offers the real dixieland

the real dixieland book bb instruments fake book - Aug 23 2023

web jul 1 2014 the real dixieland book bb instruments fake book paperback july 1 2014 extra savings 90 days free amazon music terms apply 1 applicable

the real dixieland book b flat instruments fake book by - Jan 04 2022

the real dixieland book b flat instruments fake book bb - Apr 19 2023

web great fakebook pre transcribed for b flat treble clef instruments reviewed in the united states on september 6 2014 this fakebook has a whole lot of of the old favorites

amazon com au customer reviews the real dixieland book - Mar 06 2022

web the real dixieland book b flat instruments fake book by rawlins robert 2014 paperback amazon co uk books

[the real dixieland book songbook b flat instruments goodreads](#) - Mar 18 2023

web jul 1 2014 the real dixieland book songbook b flat instruments authors hal leonard corp robert rawlins publisher hal leonard corporation 2014 isbn

[amazon com customer reviews the real dixieland book bb](#) - Jan 16 2023

web amazon in buy the real dixieland book b flat instruments fake book book online at best prices in india on amazon in read the real dixieland book b flat

the real dixieland book b flat instruments fake book by - Feb 05 2022

web the real dixieland book b flat instruments fake book by robert rawlins 2014 07 01 amazon co uk books

the real dixieland book by various softcover sheet - May 20 2023

web jul 1 2014 fake book you don t have to be from below the mason dixon line to enjoy this primo collecti the real dixieland book songbook b flat instruments by robert

the real dixieland book songbook b flat instruments fake - Jun 09 2022

web find helpful customer reviews and review ratings for the real dixieland book songbook b flat instruments fake book at amazon com read honest and unbiased product

the real dixieland book b flat instruments fake - Feb 17 2023

web softcover isbn 10 1480355275 isbn 13 9781480355279 publisher hal leonard 2014 view all copies of this isbn edition synopsis about this title fake book

the real r b book b flat instruments hal leonard online - Aug 11 2022

web find helpful customer reviews and review ratings for the real dixieland book b flat instruments bb instruments fake book at amazon com read honest and unbiased

the real dixieland book songbook b flat instruments - Jul 22 2023

web buy the official hal leonard real book series the real dixieland book bb instruments sheet music

the real dixieland book songbook b flat instruments google - Dec 15 2022

web jul 1 2014 the real dixieland book b flat instruments fake book by rawlins robert 2014 paperback rawlins robert books amazon ca

the real dixieland book b flat instruments fake book by - Dec 03 2021

[amazon in customer reviews the real dixieland book b flat](#) - May 08 2022

web the real dixieland book b flat instruments fake book by robert rawlins 2014 07 01 mass market paperback january 1 1656 4 6 out of 5 stars 66 ratings see all

redheads are sunshine mixed with a little hurricane - May 25 2022

web redheads are sunshine mixed with a little hurricane

redheads are sunshine mixed with a little hurricane framed - Mar 03 2023

web high quality redheads are sunshine mixed with a little hurricane inspired framed prints by independent artists and designers from around the world framed prints in a range of sizes styles and frame colors beautifully handmade for you out of the finest materials and archival quality papers

redheads are sunshine mixed with a little hurricane t shirt - Oct 10 2023

web aug 10 2019 redheads are sunshine mixed with a little hurricane t shirt 4 3 28 ratings climate pledge friendly 2187 get fast free shipping with amazon prime free returns learn more fit type men men s big and tall women s plus youth color black size select product details fabric type

redheads are sunshine mixed with little hurricane svg files etsy - Aug 08 2023

web oct 2 2023 redheads are sunshine mixed with little hurricane svg files for cricut sugarsugarsvg add to cart 2 095 reviews reviews for this item 16 reviews for this shop 2 095 great file purchased item redheads are sunshine mixed with a little hurricane svg files for cricut redhead svg southern girl svg quote svg hurricane cut file

red heads are sunshine mixed with a little hurricane etsy - Feb 02 2023

web check out our red heads are sunshine mixed with a little hurricane selection for the very best in unique or custom handmade pieces from our digital shops

redheads are sunshine mixed with a little hurricane sticker - Jul 07 2023

web buy redheads are sunshine mixed with a little hurricane by amorhka as a sticker stuff for pets is here bandanas blankets and bowls with purr sonality sell your art login signup top artists

redheads are sunshine mixed with a little hurricane - Sep 28 2022

web shop redheads are sunshine mixed with a little hurricane funny tank top free delivery and returns on eligible orders redheads are sunshine mixed with a little hurricane funny tank top amazon co uk fashion

3 reasons sex with red heads is simply the best sheknows - Mar 23 2022

web mar 15 2020 redheads feel hot and cold temperatures more rapidly and respond to pain differently than blonds or brunettes this heightened sensitivity can easily translate into exciting sexual play with hot

sunshine mixed with a little hurricane r redheads reddit - Sep 09 2023

web jan 25 2023 sunshine mixed with a little hurricane r redheads posted by ginger flame669 nsfw sunshine mixed with a little hurricane vote 3 comments best add a comment automoderator 5 min ago remember the poster is a verified original content creator please keep your comments respectful rude comments may

redheads are sunshine mixed with a little hurricane - Apr 04 2023

web dec 22 2019 buy redheads are sunshine mixed with a little hurricane funny tank top shop top fashion brands tanks camis at amazon com free delivery and returns possible on eligible purchases

redheads are sunshine mixed with a little hurricane tank top - Jun 25 2022

web may 14 2021 redheads are sunshine mixed with a little hurricane tank top free uk shipping on orders over 20 and free 30 day returns on selected fashion items sold or fulfilled by amazon co uk

redheads are sunshine mixed with little hurricane - Nov 30 2022

web buy redheads are sunshine mixed with little hurricane is designed sold by sarah gonzales sku 31563829 listed on 10 25 2022 most ship worldwide within 24 hours delivery to the united states

redheads are sunshine mixed with a little hurricane amazon es - Jul 27 2022

web redheads are sunshine mixed with a little hurricane funny camiseta amazon es moda

redheads are sunshine mixed with a little hurricane - Jan 01 2023

web jan 16 2018 buy redheads are sunshine mixed with a little hurricane shop top fashion brands t shirts at amazon com free delivery and returns possible on eligible purchases

redheads are sunshine mixed with a little hurricane - May 05 2023

web redheads are sunshine mixed with a little hurricane redheads are sunshine mixed with a little hurricane 34 99 regular price 44 99

redheads are sunshine mixed with a little hurricane tote bag - Apr 23 2022

web feb 10 2022 amazon com redheads are sunshine mixed with a little hurricane tote bag clothing shoes jewelry

redheads are sunshine mixed with a little hurricane t shirt or - Aug 28 2022

web redheads are sunshine mixed with a little hurricane t shirt or sweatshirt 19 95 4 reviews write a review item xd1671 unfairly maligned for having fiery tempers redheads are

redheads are sunshine mixed with a little hurricane - Feb 19 2022

web jan 4 2020 buy redheads are sunshine mixed with a little hurricane ginger tank top shop top fashion brands tanks camis at amazon com free delivery and returns possible on eligible purchases

redheads are sunshine mixed with a little hurricane t shirt - Oct 30 2022

web shop redheads are sunshine mixed with a little hurricane t shirt free delivery and returns on eligible orders

redheads are sunshine mixed with a little hurricane - Jun 06 2023

web jan 4 2020 buy redheads are sunshine mixed with a little hurricane ginger premium t shirt shop top fashion brands t shirts at amazon com free delivery and returns possible on eligible purchases

