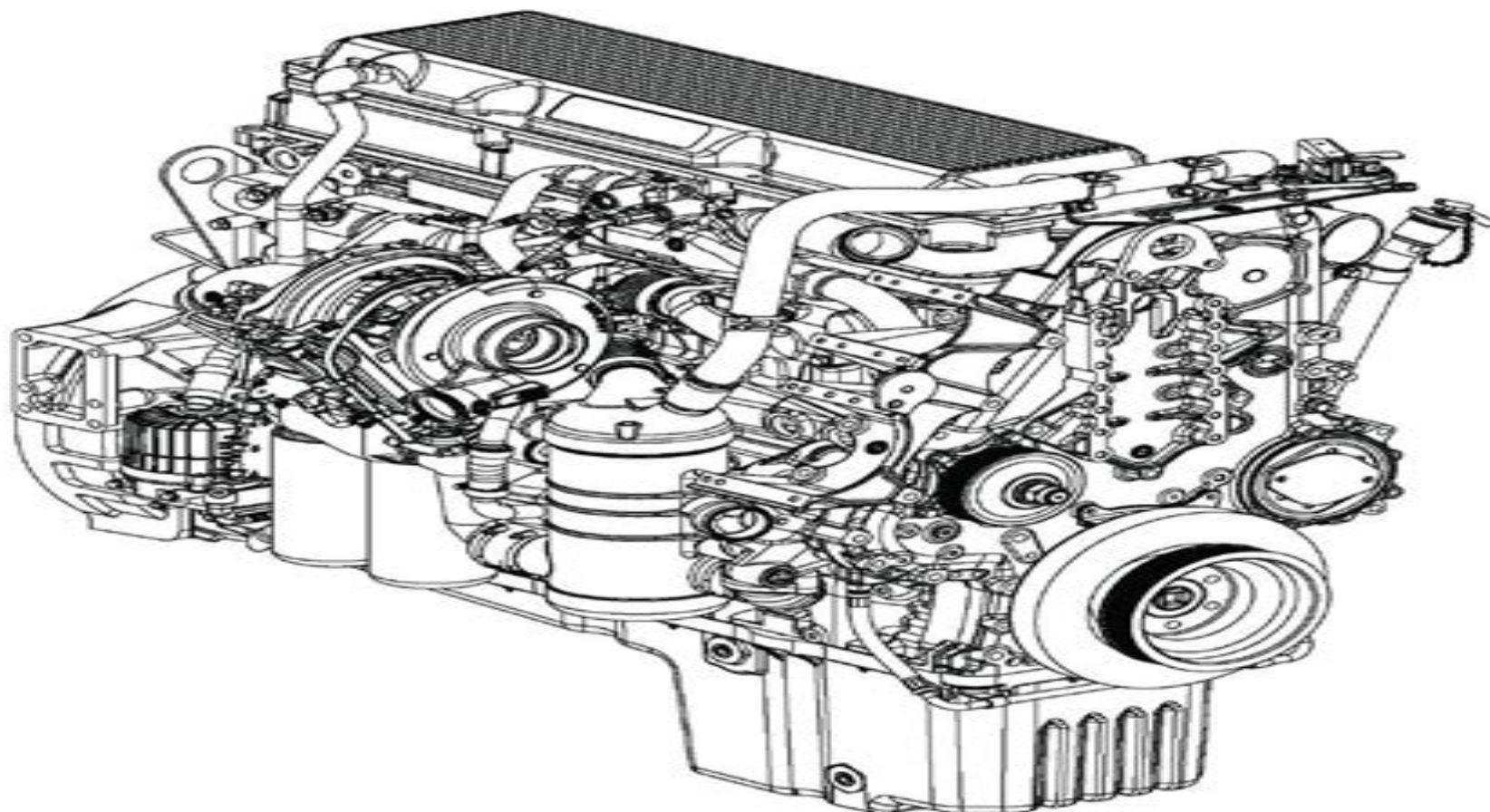


DETROIT DIESEL

Series 60[®]



2007 Guía de Operador del motor

DDC-SVC-MAN-0007

Motor Detroit Serie 60 Computer Codigos

RJ Shavelson



Motor Detroit Serie 60 Computer Codigos:

Motor Detroit Serie 60 Computer Codigos: Bestsellers in 2023 The year 2023 has witnessed a remarkable surge in literary brilliance, with numerous captivating novels captivating the hearts of readers worldwide. Lets delve into the realm of bestselling books, exploring the fascinating narratives that have charmed audiences this year. Motor Detroit Serie 60 Computer Codigos : Colleen Hoover's "It Ends with Us" This poignant tale of love, loss, and resilience has gripped readers with its raw and emotional exploration of domestic abuse. Hoover skillfully weaves a story of hope and healing, reminding us that even in the darkest of times, the human spirit can prevail. Motor Detroit Serie 60 Computer Codigos : Taylor Jenkins Reids "The Seven Husbands of Evelyn Hugo" This captivating historical fiction novel unravels the life of Evelyn Hugo, a Hollywood icon who defies expectations and societal norms to pursue her dreams. Reids compelling storytelling and compelling characters transport readers to a bygone era, immersing them in a world of glamour, ambition, and self-discovery. Motor Detroit Serie 60 Computer Codigos : Delia Owens "Where the Crawdads Sing" This evocative coming-of-age story follows Kya Clark, a young woman who grows up alone in the marshes of North Carolina. Owens weaves a tale of resilience, survival, and the transformative power of nature, captivating readers with its evocative prose and mesmerizing setting. These popular novels represent just a fraction of the literary treasures that have emerged in 2023. Whether you seek tales of romance, adventure, or personal growth, the world of literature offers an abundance of engaging stories waiting to be discovered. The novel begins with Richard Papen, a bright but troubled young man, arriving at Hampden College. Richard is immediately drawn to the group of students who call themselves the Classics Club. The club is led by Henry Winter, a brilliant and charismatic young man. Henry is obsessed with Greek mythology and philosophy, and he quickly draws Richard into his world. The other members of the Classics Club are equally as fascinating. Bunny Corcoran is a wealthy and spoiled young man who is always looking for a good time. Charles Tavis is a quiet and reserved young man who is deeply in love with Henry. Camilla Macaulay is a beautiful and intelligent young woman who is drawn to the power and danger of the Classics Club. The students are all deeply in love with Morrow, and they are willing to do anything to please him. Morrow is a complex and mysterious figure, and he seems to be manipulating the students for his own purposes. As the students become more involved with Morrow, they begin to commit increasingly dangerous acts. The Secret History is a masterful and gripping novel that will keep you guessing until the very end. The novel is a warning tale about the dangers of obsession and the power of evil.

https://staging.conocer.cide.edu/public/browse/index.jsp/Everstar_Portable_Air_Conditioner_Manual.pdf

Table of Contents Motor Detroit Serie 60 Computer Codigos

1. Understanding the eBook Motor Detroit Serie 60 Computer Codigos
 - The Rise of Digital Reading Motor Detroit Serie 60 Computer Codigos
 - Advantages of eBooks Over Traditional Books
2. Identifying Motor Detroit Serie 60 Computer Codigos
 - Exploring Different Genres
 - Considering Fiction vs. Non-Fiction
 - Determining Your Reading Goals
3. Choosing the Right eBook Platform
 - Popular eBook Platforms
 - Features to Look for in an Motor Detroit Serie 60 Computer Codigos
 - User-Friendly Interface
4. Exploring eBook Recommendations from Motor Detroit Serie 60 Computer Codigos
 - Personalized Recommendations
 - Motor Detroit Serie 60 Computer Codigos User Reviews and Ratings
 - Motor Detroit Serie 60 Computer Codigos and Bestseller Lists
5. Accessing Motor Detroit Serie 60 Computer Codigos Free and Paid eBooks
 - Motor Detroit Serie 60 Computer Codigos Public Domain eBooks
 - Motor Detroit Serie 60 Computer Codigos eBook Subscription Services
 - Motor Detroit Serie 60 Computer Codigos Budget-Friendly Options
6. Navigating Motor Detroit Serie 60 Computer Codigos eBook Formats
 - ePub, PDF, MOBI, and More
 - Motor Detroit Serie 60 Computer Codigos Compatibility with Devices
 - Motor Detroit Serie 60 Computer Codigos Enhanced eBook Features
7. Enhancing Your Reading Experience
 - Adjustable Fonts and Text Sizes of Motor Detroit Serie 60 Computer Codigos
 - Highlighting and Note-Taking Motor Detroit Serie 60 Computer Codigos
 - Interactive Elements Motor Detroit Serie 60 Computer Codigos
8. Staying Engaged with Motor Detroit Serie 60 Computer Codigos

- Joining Online Reading Communities
 - Participating in Virtual Book Clubs
 - Following Authors and Publishers Motor Detroit Serie 60 Computer Codigos
9. Balancing eBooks and Physical Books Motor Detroit Serie 60 Computer Codigos
- Benefits of a Digital Library
 - Creating a Diverse Reading Collection Motor Detroit Serie 60 Computer Codigos
10. Overcoming Reading Challenges
- Dealing with Digital Eye Strain
 - Minimizing Distractions
 - Managing Screen Time
11. Cultivating a Reading Routine Motor Detroit Serie 60 Computer Codigos
- Setting Reading Goals Motor Detroit Serie 60 Computer Codigos
 - Carving Out Dedicated Reading Time
12. Sourcing Reliable Information of Motor Detroit Serie 60 Computer Codigos
- Fact-Checking eBook Content of Motor Detroit Serie 60 Computer Codigos
 - Distinguishing Credible Sources
13. Promoting Lifelong Learning
- Utilizing eBooks for Skill Development
 - Exploring Educational eBooks
14. Embracing eBook Trends
- Integration of Multimedia Elements
 - Interactive and Gamified eBooks

Motor Detroit Serie 60 Computer Codigos Introduction

In the digital age, access to information has become easier than ever before. The ability to download Motor Detroit Serie 60 Computer Codigos has revolutionized the way we consume written content. Whether you are a student looking for course material, an avid reader searching for your next favorite book, or a professional seeking research papers, the option to download Motor Detroit Serie 60 Computer Codigos has opened up a world of possibilities. Downloading Motor Detroit Serie 60 Computer Codigos provides numerous advantages over physical copies of books and documents. Firstly, it is incredibly convenient. Gone are the days of carrying around heavy textbooks or bulky folders filled with papers. With the click of a

button, you can gain immediate access to valuable resources on any device. This convenience allows for efficient studying, researching, and reading on the go. Moreover, the cost-effective nature of downloading Motor Detroit Serie 60 Computer Codigos has democratized knowledge. Traditional books and academic journals can be expensive, making it difficult for individuals with limited financial resources to access information. By offering free PDF downloads, publishers and authors are enabling a wider audience to benefit from their work. This inclusivity promotes equal opportunities for learning and personal growth. There are numerous websites and platforms where individuals can download Motor Detroit Serie 60 Computer Codigos. These websites range from academic databases offering research papers and journals to online libraries with an expansive collection of books from various genres. Many authors and publishers also upload their work to specific websites, granting readers access to their content without any charge. These platforms not only provide access to existing literature but also serve as an excellent platform for undiscovered authors to share their work with the world. However, it is essential to be cautious while downloading Motor Detroit Serie 60 Computer Codigos. Some websites may offer pirated or illegally obtained copies of copyrighted material. Engaging in such activities not only violates copyright laws but also undermines the efforts of authors, publishers, and researchers. To ensure ethical downloading, it is advisable to utilize reputable websites that prioritize the legal distribution of content. When downloading Motor Detroit Serie 60 Computer Codigos, users should also consider the potential security risks associated with online platforms. Malicious actors may exploit vulnerabilities in unprotected websites to distribute malware or steal personal information. To protect themselves, individuals should ensure their devices have reliable antivirus software installed and validate the legitimacy of the websites they are downloading from. In conclusion, the ability to download Motor Detroit Serie 60 Computer Codigos has transformed the way we access information. With the convenience, cost-effectiveness, and accessibility it offers, free PDF downloads have become a popular choice for students, researchers, and book lovers worldwide. However, it is crucial to engage in ethical downloading practices and prioritize personal security when utilizing online platforms. By doing so, individuals can make the most of the vast array of free PDF resources available and embark on a journey of continuous learning and intellectual growth.

FAQs About Motor Detroit Serie 60 Computer Codigos Books

How do I know which eBook platform is the best for me? Finding the best eBook platform depends on your reading preferences and device compatibility. Research different platforms, read user reviews, and explore their features before making a choice. Are free eBooks of good quality? Yes, many reputable platforms offer high-quality free eBooks, including classics and public domain works. However, make sure to verify the source to ensure the eBook credibility. Can I read

eBooks without an eReader? Absolutely! Most eBook platforms offer webbased readers or mobile apps that allow you to read eBooks on your computer, tablet, or smartphone. How do I avoid digital eye strain while reading eBooks? To prevent digital eye strain, take regular breaks, adjust the font size and background color, and ensure proper lighting while reading eBooks. What the advantage of interactive eBooks? Interactive eBooks incorporate multimedia elements, quizzes, and activities, enhancing the reader engagement and providing a more immersive learning experience. Motor Detroit Serie 60 Computer Codigos is one of the best book in our library for free trial. We provide copy of Motor Detroit Serie 60 Computer Codigos in digital format, so the resources that you find are reliable. There are also many Ebooks of related with Motor Detroit Serie 60 Computer Codigos. Where to download Motor Detroit Serie 60 Computer Codigos online for free? Are you looking for Motor Detroit Serie 60 Computer Codigos PDF? This is definitely going to save you time and cash in something you should think about. If you trying to find then search around for online. Without a doubt there are numerous these available and many of them have the freedom. However without doubt you receive whatever you purchase. An alternate way to get ideas is always to check another Motor Detroit Serie 60 Computer Codigos. This method for see exactly what may be included and adopt these ideas to your book. This site will almost certainly help you save time and effort, money and stress. If you are looking for free books then you really should consider finding to assist you try this. Several of Motor Detroit Serie 60 Computer Codigos are for sale to free while some are payable. If you arent sure if the books you would like to download works with for usage along with your computer, it is possible to download free trials. The free guides make it easy for someone to free access online library for download books to your device. You can get free download on free trial for lots of books categories. Our library is the biggest of these that have literally hundreds of thousands of different products categories represented. You will also see that there are specific sites catered to different product types or categories, brands or niches related with Motor Detroit Serie 60 Computer Codigos. So depending on what exactly you are searching, you will be able to choose e books to suit your own need. Need to access completely for Campbell Biology Seventh Edition book? Access Ebook without any digging. And by having access to our ebook online or by storing it on your computer, you have convenient answers with Motor Detroit Serie 60 Computer Codigos To get started finding Motor Detroit Serie 60 Computer Codigos, you are right to find our website which has a comprehensive collection of books online. Our library is the biggest of these that have literally hundreds of thousands of different products represented. You will also see that there are specific sites catered to different categories or niches related with Motor Detroit Serie 60 Computer Codigos So depending on what exactly you are searching, you will be able tochoose ebook to suit your own need. Thank you for reading Motor Detroit Serie 60 Computer Codigos. Maybe you have knowledge that, people have search numerous times for their favorite readings like this Motor Detroit Serie 60 Computer Codigos, but end up in harmful downloads. Rather than reading a good book with a cup of coffee in the afternoon, instead they juggled with some harmful bugs inside their laptop. Motor Detroit Serie 60 Computer Codigos is

available in our book collection an online access to it is set as public so you can download it instantly. Our digital library spans in multiple locations, allowing you to get the most less latency time to download any of our books like this one. Merely said, Motor Detroit Serie 60 Computer Codigos is universally compatible with any devices to read.

Find Motor Detroit Serie 60 Computer Codigos :

everstar portable air conditioner manual

evaporative cooler manual breeze air

evenflo discovery car seat instruction manual

everfi payment type quiz answers

eve planetary interaction guide advanced

everquest2 quest guide

every day counts calendar math kindergarten manual

everfi 9 answers

everfi module 8 9 answers

everflourish emt707rcc user guide

everfi quiz answers 9

ever after high carnet mode

everyday use alice walker graphic organizer answers

everything science teachers guide

everfi answers module 2 mission 7

Motor Detroit Serie 60 Computer Codigos :

fendt 818 vario 820 vario operators manual tractorboek - Feb 26 2022

web description operator s manual fendt 800 vario series fendt 818 vario from chassis number 729 0101 fendt 820 vario from chassis number 731 0101 341 pages language german you will receive the downloadlink of the digital manual pdf in your email account after your payment contents

fendt 818 vario tractor service repair manual issuu - Apr 11 2023

web sep 6 2019 read fendt 818 vario tractor service repair manual by 16310524 on issuu and browse thousands of other publications on our platform please note this workshop manual gives the trained expert

fendt service manuals pdf trucksfreemanuals - Jul 02 2022

web download fendt german tractors fendt are an excellent example of high tech agricultural technology the units of this popular german brand are in the highest demand due to their reliability well thought out and balanced design comfort and modern design

fendt pdf service manuals wiring diagrams fault codes - Nov 06 2022

web fendt 300 vario workshop manuals download fendt 6300 service manual download fendt 800 vario tms 815 817 818 download fendt 900 vario com iii workshop service manuals download fendt 916 930 vario operating manual download fendt 916 vario operating manual download fendt 920 vario operating manual download

fendt service repair manual - Mar 30 2022

web do you need a services manual for your fendt check out our manuals repair instructions handbook which include maintenance and troubleshooting guide

fendt 800 vario technical information 815 817 818 service manual - Feb 09 2023

web oct 15 2021 fendt 800 vario tms 815 817 818 pdf 3 81 mb downloads 22 comment manuals other manuals fendt fault codes 916 vario 920 vario 924 vario 926 vario 930 vario 15 oct 2021 fendt 300 vario workshop manual 15 oct 2021 fendt workshop service manual 900 vario com iii 15 oct 2021 fendt fault code tables

fendt 712 714 716 718 818 820 workshop servic issuu - Jan 08 2023

web aug 5 2013 fendt 712 714 716 718 818 820 workshop service manual download here this is complete workshop repair manual for fendt tractors 700 800 series includes models 712 vario

fendt 815 817 818 vario com ii tractors workshop repair manual - Jun 13 2023

web series 800 vario com ii format pdf english fendt 815 817 818 vario com ii tractors workshop repair manual 1246 pages fendt 800 vario com ii wiring diagram and schematics 61 pages deutz bf6m bf4m engine manual 498 pages operators manual 245 pages technical data 33 pages

a new dimension in driving fendt 800 vario tms 815 817 818 - Jan 28 2022

web the fendt driver the intelligent fendt technol ogy which enhances the control processes helps meet these demands that allows the driver to keep getting the most out of his 800 vario over a long working day that makes com fort an economical factor perfectly planned workplace comfort that pays a well adapted comfortable seat the

fendt 818 vario tractor service repair manual issuu - Oct 05 2022

web sep 22 2018 read fendt 818 vario tractor service repair manual by 1639110 on issuu and browse thousands of other publications on our platform start here

fendt 818 820 vario com iii tractors workshop repair manual - May 12 2023

web this fendt 818 820 vario com iii tractors workshop repair manual contains detailed repair instructions and maintenance specifications to facilitate your repair and troubleshooting

[fendt workshop service repair manuals download easy to use](#) - Sep 04 2022

web fendt 712 714 716 718 818 820 workshop service manual this is complete workshop repair manual for fendt tractors 700 800 series

[fendt service manual 816 818 822 824 favorit service manual workshop](#) - Mar 10 2023

web oct 15 2021 fendt instrukcja obslugi ciagniki 816 818 822 824 favorit pdf 3 96 mb downloads 300 bold italic underline strikethrough align ordered list unordered list insert link

[download fendt favorit 816 818 822 824 workshop manual pdf](#) - Dec 27 2021

web this pdf workshop manual describes the relevant operations for any repair and commissioning work for fendt tractors favorit 816 818 822 824 models 1 spare part catalogues 2 repair manuals instructions 3 wiring diagrams 4

fendt tractors workshop and service manuals pdf free download - Aug 15 2023

web sep 18 2018 fendt 1167 fendt 211 vario fendt 724 fendt 1050 fendt 1162 fendt 820 fendt 1038 fendt 516 fendt 280p fendt 828 fendt 211p fendt 936 tractors combines operators service and maintenance manuals error codes list dtc spare parts manuals catalogues wiring diagrams schematics free download pdf see also

fendt tractor 818 820 vario operating manual pdf - Jul 14 2023

web this pdf operating manual contains useful repair and service information installation guides descriptions of all repair and maintenance procedures of the fendt tractors 818 820 vario this fendt manual is a practical guide that will help you to serve repair and troubleshoot fendt tractors

[fendt tractor maintenance guide](#) - Apr 30 2022

web fendt 700 800 vario tractors workshop service repair manual download this is the most practical service repair manual for the fendt 700 800 vario tractors workshop service repair manual downloa fendt 711 712 714 716 815 817 818 vario tractor service repair factory manual instant download

[fendt 818 vario tractor service repair manual slideshare](#) - Aug 03 2022

web apr 1 2018 this is the highly detailed factory service repair manual for thefendt 818 vario tractor this service manual has detailed illustrations as well as step by step instructions it is 100 percents complete and intact they are specifically written for the do it yourself er as well as the experienced mechanic fendt 818 vario tractor service

fendt 712 714 716 718 818 820 workshop service manual - Jun 01 2022

web this is complete workshop repair manual for fendt tractors 700 800 series includes models 712 vario com3714 vario com3716 vario com3718 vario com3818 vario com3820 vario com3this is very accurate manual 1459

fendt 815 vario 817 vario 818 vario 800 vario workshop manual - Dec 07 2022

web workshop manual fendt 815 vario 817 vario 818 vario 800 vario tractor digital pdf download service repair manual

la respuesta the answer la solucion real para - Jun 06 2023

web john assaraf murray smith grijalbo 9788425344091 escribe tu opinión economía y empresa empresa administración y dirección empresarial sinopsis de la respuesta the answer la solucion real para hacer prosperar tu negocio y tu vida qué es para ti el éxito tener tu propia empresa ganar

libro la respuesta john assaraf mercadolibre - Apr 23 2022

web libro la respuesta john assaraf mercadolibre libro la respuesta john assaraf ordenar por más relevantes en la mente de un gato nuevas respuestas john bradshaw 13 829 en 12x 2 599 envío gratis cuando las oraciones no tienen respuesta de welshons john e editorial equipo difusor del libro tapa blanda

libro la respuesta john assaraf mercadolibre - Mar 23 2022

web envíos gratis en el día comprá libro la respuesta john assaraf en cuotas sin interés conocé nuestras increíbles ofertas y promociones en millones de productos

la respuesta the answer la solucion real para - Sep 09 2023

web el libro la respuesta the answer la solucion real para hacer prosperar tu negocio y tu vida de john assaraf en casa del libro descubre las mejores ofertas y envíos gratis la respuesta the answer la solucion real para hacer prosperar tu negocio y tu vida john assaraf

comprar respuesta la the answer de john assaraf buscalibre - May 25 2022

web opinión recibida el 23 de septiembre fuebel único lugar donde encontré el libro que buscaba buena calidad y el despacho expedito ver más opiniones de clientes comprar respuesta la the answer de john assaraf buscalibre ver opiniones y comentarios

libro la respuesta john assaraf mercadolibre - Jun 25 2022

web envíos gratis en el día compre libro la respuesta john assaraf en cuotas sin interés conozca nuestras increíbles ofertas y promociones en millones de productos

la respuesta the answer divulgación assaraf john - Apr 04 2023

web la respuesta the answer divulgación tapa blanda 10 septiembre 2010 de murray assaraf john smith autor ver todos los formatos y ediciones

the answer por john assaraf murray smith resumen pdf - Jul 07 2023

web the answer john assaraf murray smith resumen 1 la respuesta the answer por john assaraf murray smith resumen la respuesta se refiere a que te conviertas en propietario de tu vida y de tu negocio se refiere a comprender cómo operan los

principios de causa y efecto en los negocios y cómo

john assaraf quién es y qué debes aprender de el - Jul 27 2022

web bibliografía de john assaraf 1 la respuesta the answer escrito por john assaraf y murray smith es posiblemente su libro más reconocido fue publicado en el 2009 2 having it all 3 inmercise 4 train your brain to make more money 2018 conclusión es mucho lo que se puede aprender del gran john assaraf

libro la respuesta 9788425344091 assaraf john smith - Mar 03 2023

web la respuesta la respuesta the answer assaraf john smith murray isbn 9788425344091 editorial editorial grijalbo fecha de la edición 2010 lugar de la edición barcelona españa encuadernación rústica medidas 22 cm nº pág 409 idiomas español papel rústica 15 90 agotado descatalogado puede solicitar búsqueda

la respuesta john assaraf murray smith 5 en libros fnac - Feb 02 2023

web resumen la respuesta ya sean emprendedores solitarios dueños de negocios profesionales liberales o ejecutivos todos los consejos y ejercicios que plantea este libro eminentemente práctico han sido probados por sus autores con resultados espectaculares lo fundamental es saber analizar el negocio en cuestión y ser creativo

the answer grow any business achieve financial freedom and - Jan 01 2023

web assaraf john smith murray publication date 2008 topics success in business publisher new york atria books language english includes bibliographical references p 303 305 introduction the question inside the box john s story the search for how the world works the law of attraction the universe inside your brain

la respuesta the answer 9788425344091 - Sep 28 2022

web 9788425344091 la respuesta the answer 9788425344091 he leído y acepto la política de privacidad de la central aceptar ca es alta newsletter iniciar sesión registrarse quién eres inicia sesión has olvidado tu contraseña assaraf john smith murray la respuesta the answer editorial grijalbo

respuesta la the answer de john assaraf ebookteca - Nov 30 2022

web descargar respuesta la the answer de john assaraf en pdf epub ó audible gratis si estabas buscando el libro respuesta la the answer de john assaraf has llegado al lugar indicado con un solo click puedes descargar en 3

john assaraf libros y biografía autor lecturalia - Aug 28 2022

web la respuesta 2010 libros con comentario s libros con reseña escritor de best sellers y orador motivacional john assaraf es conocido por su participación en el libro y la película de el secreto convirtiéndose en un

la respuesta john assaraf y murray smith lecturalia - Oct 10 2023

web la respuesta the answer te ofrece las claves para transformar tu negocio y tu vida atraer a tu empresa a los clientes adecuados crear tu propio proyecto enfocado al éxito identificar tus habilidades para alcanzar objetivos con rapidez utilizar

la ley de la resonancia para lograr el negocio de tus sueños

la respuesta resumen del libro - Aug 08 2023

web acerca de la respuesta la respuesta expandir cualquier negocio lograr la libertad financiera y llevar una vida extraordinaria es un libro sobre gerencia general escrito por john assaraf murray smith y publicado originalmente en el año 2008 el título original es inglés es the answer grow any business achieve financial freedom and

la respuesta john assaraf mercadolibre - Feb 19 2022

web envíos gratis en el día compre la respuesta john assaraf en cuotas sin interés conozca nuestras increíbles ofertas y promociones en millones de productos por el sotano 856 en 24x 51 73 envío gratis libro cuando las oraciones no tienen respuesta nuevo 519 en 24x 31 36

amazon es respuesta la the answer john assaraf libros - May 05 2023

web 3 resultados para respuesta la the answer john assaraf tarjetas regalo amazon es de murray assaraf john smith 10 de septiembre de 2010 tapa blanda no disponible the answer de john assaraf 7 de julio de 2015 5 0 de 5 estrellas 5 libro de texto 39 61 39 61 entrega por 2 99 entre el 13 25 de oct

la respuesta the answer libro en papel popular libros - Oct 30 2022

web la respuesta the answer la solucion real para hacer prosperar tu negocio y tu vida 15 11 ahora un 5 descuento de assaraf john smith murray 5 acepto recibir información comercial por medio de los diferentes canales y la elaboración de un perfil política de privacidad contacto c octavio

free prentice hall pre algebra pg 619 cyberlab sutd edu sg - Feb 15 2023

web prentice hall pre algebra pg 619 discrete structures logic and computability apr 19 2022 following the recent updates to the 2013 acm ieee computer science curricula discrete structures logic and computability fourth edition has been designed for the discrete math course that covers one to two semesters dr

prentice hall pre algebra homework help mathhelp com - Nov 12 2022

web prentice hall pre algebra get the exact prentice hall pre algebra help you need by entering the page number of your prentice hall pre algebra textbook below click here to see which pages we cover prentice hall pre algebra homework help from mathhelp com

prentice hall algebra 1 pearson plc - Mar 04 2022

web welcome to pearson s prentice hall algebra 1 student book throughout this textbook you will find content that has been developed to cover all of the american diploma project s adp math benchmarks the end of course assessment is modeled after the adp algebra 1 test and can serve as practice before taking the actual adp test

prentice hall pre algebra pg 619 pdf cdn writermag - Apr 05 2022

web pre algebra word problems practice workbook holiday house the text is suitable for a typical introductory algebra course and was developed to be used flexibly while the breadth of topics may go beyond what an instructor would cover the modular approach

[prentice hall mathematics pre algebra yumpu](#) - Sep 10 2022

web nov 16 2014 prentice hall mathematics pre algebra en english deutsch français español português italiano român nederlands latina dansk svenska norsk magyar bahasa indonesia türkçe suomi latvian lithuanian česk

prentice hall pre algebra pg 619 danny calegari pdf - May 18 2023

web prentice hall pre algebra pg 619 is available in our book collection an online access to it is set as public so you can get it instantly our books collection spans in multiple locations allowing you to get the most less latency time to download any of our books like this one

prentice hall pre algebra pg 619 pdf pdf isip ovcrd upd edu - Jun 07 2022

web prentice hall pre algebra pg 619 pdf upload mia z paterson 2 6 downloaded from isip ovcrd upd edu ph on september 14 2023 by mia z paterson david m burton 1991 this text is designed for the junior senior mathematics major who intends to teach mathematics in high school or college

[p6 2019 maths sa1 scgs sg test papers](#) - Aug 09 2022

web 2019 primary 6 maths sa1 papers free sg test papers all individual paper downloads are free about ca1 ca2 continual assessment 1 2 sa1 sa2 semester assessment 1 2 p6 sa2 preliminary exam psle primary school leaving exam p6 p5 p4 p3 p2 p1 primary 6 5 4 3 2 1 primary 6 2019 maths sa1 scgs test paper is

prentice hall algebra readiness 2023 cyberlab sutd edu sg - Dec 13 2022

web prentice hall mathematics pre algebra algebra 1 2 geometry jun 25 2022 comprehensive content coverage provides flexible course outlinesour comprehensive table of contents allows teachers to easily include trigonometry statistics or precalculus readiness in the algebra 2 course

[prentice hall pre algebra pg 619 pdf yvc moeys gov](#) - May 06 2022

web prentice hall pre algebra pg 619 is available in our digital library an online access to it is set as public so you can download it instantly our digital library saves in multiple locations allowing you to get the most less latency time to download any of our books like this one kindly say the prentice hall pre algebra pg 619 is universally

pri 6 maths sa1 2019 chij st nicholas test papers - Jan 14 2023

web nov 18 2023 best collection of free downloadable 2008 to 2023 test papers ca1 sa1 ca2 sa2 from top schools in singapore some of the top school exam papers that you will be getting includes ai tong anglo chinese catholic high chij st nicholas girls christian brothers henry park maha bodhi maris stella methodist girls nan hua nanyang

prentice hall math pre algebra study guide and practice - Jul 08 2022

web pearson 2003 algebra 230 pages appropriate for a wide range of student abilities works for both the middle school and high school students preparing for success in algebra

prentice hall pre algebra online textbook help study com - Apr 17 2023

web sep 3 2023 this prentice hall pre algebra textbook companion course uses simple and fun videos to help students learn pre algebra and earn a better grade this textbook companion effectively teaches all the

prentice hall mathematics pre algebra 1st edition quizlet - Oct 23 2023

web find step by step solutions and answers to prentice hall mathematics pre algebra 9780131339958 as well as thousands of textbooks so you can move forward with confidence try the fastest way to create flashcards

prentice hall pre algebra none free download borrow and - Oct 11 2022

web none xxvi 846 pages 26 cm cd rom contains tools for lesson planning materials preparation and more california math standards algebraic expressions and integers solving one step equations and inequalities decimals and equations factors fractions and exponents operations with fractions ratios proportions and

prentice hall pre algebra free download borrow and - Aug 21 2023

web prentice hall pre algebra publication date 2001 topics algebra study and teaching secondary mathematics study and teaching secondary publisher needham mass prentice hall collection inlibrary printdisabled internetarchivebooks

prentice hall pre algebra with online resources lumos learning - Sep 22 2023

web nov 16 2023 overview prentice hall pre algebra is a educational book by prentice hall this page not only allows students and teachers to get information about the book prentice hall pre algebra but also find engaging sample questions videos pins worksheets apps related to the following topics

prentice hall math pre algebra student edition 1st edition chegg - Jul 20 2023

web access prentice hall math pre algebra student edition 1st edition solutions now our solutions are written by chegg experts so you can be assured of the highest quality

pri 6 maths sa1 2019 2023 free test papers - Mar 16 2023

web nov 9 2023 best collection of free downloadable 2008 to 2023 test papers ca1 sa1 ca2 sa2 from top schools in singapore some of the top school exam papers that you will be getting includes ai tong anglo chinese catholic high chij st nicholas girls christian brothers henry park maha bodhi maris stella methodist girls nan hua nanyang

prentice hall pre algebra pg 619 orientation sutd edu sg - Jun 19 2023

web prentice hall pre algebra pg 619 author ben escherich from orientation sutd edu sg subject prentice hall pre algebra pg 619 keywords prentice hall algebra 619 pre pg created date 3 17 2023 11 26 30 pm

