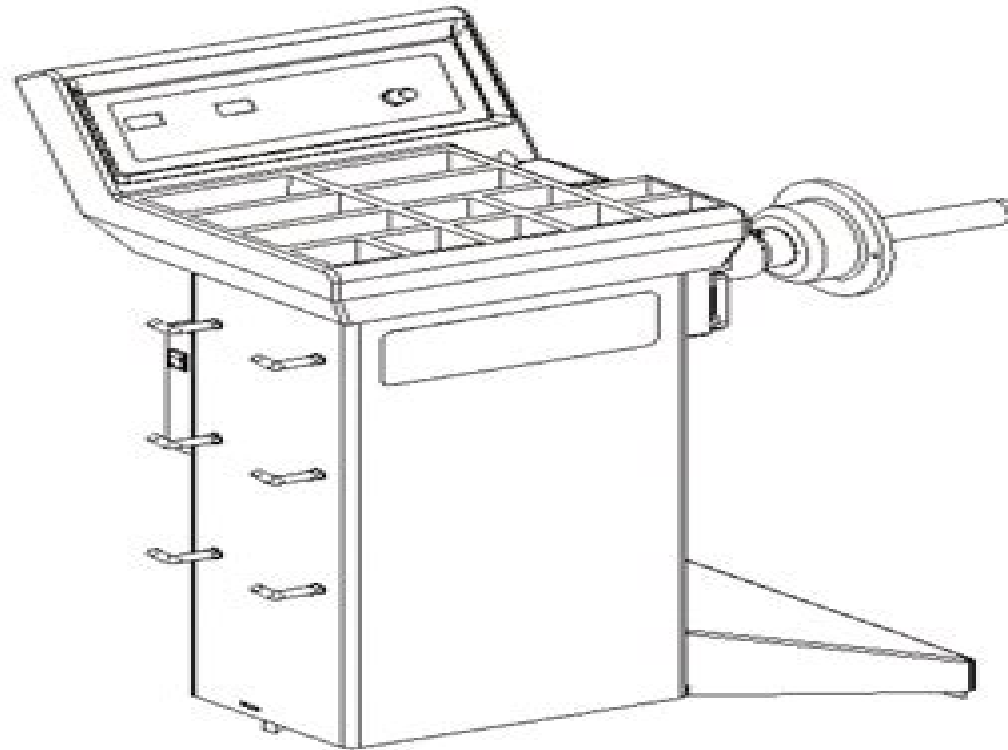


# Service Manual

# DSP 7700 Wheel Balancer



# Hunter Dsp 7700 Owners Manual

**RC Schank**



**Hunter Dsp 7700 Owners Manual:**

Amateur Radio ,1991      **Hunter Technical Service Manual** Singer Motors Ltd,1950      *Hillman Hunter Owner's Workshop Manual* John Harold Haynes,David Horsfall Stead,1971      **Owner Manual** General Motors-Holden's Sales Pty. Ltd. Service Division,1961      *Hillman Arrow and Hunter HB Series and Hunter HC Series Service Manual* ,1969

## Reviewing **Hunter Dsp 7700 Owners Manual**: Unlocking the Spellbinding Force of Linguistics

In a fast-paced world fueled by information and interconnectivity, the spellbinding force of linguistics has acquired newfound prominence. Its capacity to evoke emotions, stimulate contemplation, and stimulate metamorphosis is truly astonishing. Within the pages of "**Hunter Dsp 7700 Owners Manual**," an enthralling opus penned by a highly acclaimed wordsmith, readers set about an immersive expedition to unravel the intricate significance of language and its indelible imprint on our lives. Throughout this assessment, we shall delve into the book's central motifs, appraise its distinctive narrative style, and gauge its overarching influence on the minds of its readers.

<https://staging.conocer.cide.edu/About/uploaded-files/default.aspx/Msbte%20Summer%20202paper%20Solution%20Mostlyreadingya%20Com.pdf>

### **Table of Contents Hunter Dsp 7700 Owners Manual**

1. Understanding the eBook Hunter Dsp 7700 Owners Manual
  - The Rise of Digital Reading Hunter Dsp 7700 Owners Manual
  - Advantages of eBooks Over Traditional Books
2. Identifying Hunter Dsp 7700 Owners Manual
  - Exploring Different Genres
  - Considering Fiction vs. Non-Fiction
  - Determining Your Reading Goals
3. Choosing the Right eBook Platform
  - Popular eBook Platforms
  - Features to Look for in an Hunter Dsp 7700 Owners Manual
  - User-Friendly Interface
4. Exploring eBook Recommendations from Hunter Dsp 7700 Owners Manual
  - Personalized Recommendations
  - Hunter Dsp 7700 Owners Manual User Reviews and Ratings

- Hunter Dsp 7700 Owners Manual and Bestseller Lists
- 5. Accessing Hunter Dsp 7700 Owners Manual Free and Paid eBooks
  - Hunter Dsp 7700 Owners Manual Public Domain eBooks
  - Hunter Dsp 7700 Owners Manual eBook Subscription Services
  - Hunter Dsp 7700 Owners Manual Budget-Friendly Options
- 6. Navigating Hunter Dsp 7700 Owners Manual eBook Formats
  - ePub, PDF, MOBI, and More
  - Hunter Dsp 7700 Owners Manual Compatibility with Devices
  - Hunter Dsp 7700 Owners Manual Enhanced eBook Features
- 7. Enhancing Your Reading Experience
  - Adjustable Fonts and Text Sizes of Hunter Dsp 7700 Owners Manual
  - Highlighting and Note-Taking Hunter Dsp 7700 Owners Manual
  - Interactive Elements Hunter Dsp 7700 Owners Manual
- 8. Staying Engaged with Hunter Dsp 7700 Owners Manual
  - Joining Online Reading Communities
  - Participating in Virtual Book Clubs
  - Following Authors and Publishers Hunter Dsp 7700 Owners Manual
- 9. Balancing eBooks and Physical Books Hunter Dsp 7700 Owners Manual
  - Benefits of a Digital Library
  - Creating a Diverse Reading Collection Hunter Dsp 7700 Owners Manual
- 10. Overcoming Reading Challenges
  - Dealing with Digital Eye Strain
  - Minimizing Distractions
  - Managing Screen Time
- 11. Cultivating a Reading Routine Hunter Dsp 7700 Owners Manual
  - Setting Reading Goals Hunter Dsp 7700 Owners Manual
  - Carving Out Dedicated Reading Time
- 12. Sourcing Reliable Information of Hunter Dsp 7700 Owners Manual
  - Fact-Checking eBook Content of Hunter Dsp 7700 Owners Manual
  - Distinguishing Credible Sources

13. Promoting Lifelong Learning
  - Utilizing eBooks for Skill Development
  - Exploring Educational eBooks
14. Embracing eBook Trends
  - Integration of Multimedia Elements
  - Interactive and Gamified eBooks

### **Hunter Dsp 7700 Owners Manual Introduction**

Hunter Dsp 7700 Owners Manual Offers over 60,000 free eBooks, including many classics that are in the public domain. Open Library: Provides access to over 1 million free eBooks, including classic literature and contemporary works. Hunter Dsp 7700 Owners Manual Offers a vast collection of books, some of which are available for free as PDF downloads, particularly older books in the public domain. Hunter Dsp 7700 Owners Manual : This website hosts a vast collection of scientific articles, books, and textbooks. While it operates in a legal gray area due to copyright issues, its a popular resource for finding various publications. Internet Archive for Hunter Dsp 7700 Owners Manual : Has an extensive collection of digital content, including books, articles, videos, and more. It has a massive library of free downloadable books. Free-eBooks Hunter Dsp 7700 Owners Manual Offers a diverse range of free eBooks across various genres. Hunter Dsp 7700 Owners Manual Focuses mainly on educational books, textbooks, and business books. It offers free PDF downloads for educational purposes. Hunter Dsp 7700 Owners Manual Provides a large selection of free eBooks in different genres, which are available for download in various formats, including PDF. Finding specific Hunter Dsp 7700 Owners Manual, especially related to Hunter Dsp 7700 Owners Manual, might be challenging as theyre often artistic creations rather than practical blueprints. However, you can explore the following steps to search for or create your own Online Searches: Look for websites, forums, or blogs dedicated to Hunter Dsp 7700 Owners Manual, Sometimes enthusiasts share their designs or concepts in PDF format. Books and Magazines Some Hunter Dsp 7700 Owners Manual books or magazines might include. Look for these in online stores or libraries. Remember that while Hunter Dsp 7700 Owners Manual, sharing copyrighted material without permission is not legal. Always ensure youre either creating your own or obtaining them from legitimate sources that allow sharing and downloading. Library Check if your local library offers eBook lending services. Many libraries have digital catalogs where you can borrow Hunter Dsp 7700 Owners Manual eBooks for free, including popular titles. Online Retailers: Websites like Amazon, Google Books, or Apple Books often sell eBooks. Sometimes, authors or publishers offer promotions or free periods for certain books. Authors Website Occasionally, authors provide excerpts or short stories for free on their websites. While this might not be the Hunter Dsp 7700 Owners Manual full book , it can give you a taste of the authors writing style. Subscription Services Platforms like

Kindle Unlimited or Scribd offer subscription-based access to a wide range of Hunter Dsp 7700 Owners Manual eBooks, including some popular titles.

## **FAQs About Hunter Dsp 7700 Owners Manual Books**

**What is a Hunter Dsp 7700 Owners Manual PDF?** A PDF (Portable Document Format) is a file format developed by Adobe that preserves the layout and formatting of a document, regardless of the software, hardware, or operating system used to view or print it. **How do I create a Hunter Dsp 7700 Owners Manual PDF?** There are several ways to create a PDF: Use software like Adobe Acrobat, Microsoft Word, or Google Docs, which often have built-in PDF creation tools. Print to PDF: Many applications and operating systems have a "Print to PDF" option that allows you to save a document as a PDF file instead of printing it on paper. Online converters: There are various online tools that can convert different file types to PDF. **How do I edit a Hunter Dsp 7700 Owners Manual PDF?** Editing a PDF can be done with software like Adobe Acrobat, which allows direct editing of text, images, and other elements within the PDF. Some free tools, like PDFescape or Smallpdf, also offer basic editing capabilities. **How do I convert a Hunter Dsp 7700 Owners Manual PDF to another file format?** There are multiple ways to convert a PDF to another format: Use online converters like Smallpdf, Zamzar, or Adobe Acrobats export feature to convert PDFs to formats like Word, Excel, JPEG, etc. Software like Adobe Acrobat, Microsoft Word, or other PDF editors may have options to export or save PDFs in different formats. **How do I password-protect a Hunter Dsp 7700 Owners Manual PDF?** Most PDF editing software allows you to add password protection. In Adobe Acrobat, for instance, you can go to "File" -> "Properties" -> "Security" to set a password to restrict access or editing capabilities. Are there any free alternatives to Adobe Acrobat for working with PDFs? Yes, there are many free alternatives for working with PDFs, such as: LibreOffice: Offers PDF editing features. PDFsam: Allows splitting, merging, and editing PDFs. Foxit Reader: Provides basic PDF viewing and editing capabilities. How do I compress a PDF file? You can use online tools like Smallpdf, ILovePDF, or desktop software like Adobe Acrobat to compress PDF files without significant quality loss. Compression reduces the file size, making it easier to share and download. Can I fill out forms in a PDF file? Yes, most PDF viewers/editors like Adobe Acrobat, Preview (on Mac), or various online tools allow you to fill out forms in PDF files by selecting text fields and entering information. Are there any restrictions when working with PDFs? Some PDFs might have restrictions set by their creator, such as password protection, editing restrictions, or print restrictions. Breaking these restrictions might require specific software or tools, which may or may not be legal depending on the circumstances and local laws.

### **Find Hunter Dsp 7700 Owners Manual :**

**msbte summer 2paper solution mostlyreadingya com**

[msi wind pc manual](#)

[msbte sample question paper summer 23](#)

[multi step equation activities](#)

[muk list for admitted students 2015](#)

[multiple choice questions on psychology](#)

[multiple choice questions on ozymandias](#)

[msa auer scba manual](#)

[ms project 20practice exercises](#)

**mta it infrastructure track study guide**

[msbte sample paper 2 semester e scheme](#)

[mulanje boma cdss](#)

**msi ms 8962 owners manual**

[msaccess dynamic report title](#)

[msi 915gvm6 f owners manual](#)

### **Hunter Dsp 7700 Owners Manual :**

[elektrikli rc araçlar modelleri fiyatları sahibinden](#) - Aug 03 2022

web traxxas trx 4 land rover defender 4x4 1 10 scale trail rock crawler tqi elektrikli rc model araba gümüş 23 999 00 tl

sepete ekle traxxas 2017 ford raptor rtr slash

[haynes yamaha trx book](#) - Nov 06 2022

web haynes yamaha trx 2 6 downloaded from uniport edu ng on april 9 2023 by guest enough to be used by professional mechanics since 1960 haynes has produced manuals

**philips traş makinesi n11 com** - Jan 28 2022

web ne nerede en ucuz akakçe de

[hays](#) - Dec 27 2021

web the original haynes repair manual based on a complete stripdown and rebuild of a vehicle honda motorcycle trx350 1986 1987 print edition only yamaha yfa1



**yamaha motosiklet bayileri motorcular com** - Oct 05 2022

web 20 50 sonuç göster favori aramalarım elektrikli rc araçlar modelleri fiyatları listesine yeni bir ilan eklendiğinde size anında haber vermemizi ister misiniz aramayı kaydet

*yamaha trx850 manuals enduro team* - Jan 08 2023

web haynes yamaha trx recognizing the pretentiousness ways to acquire this books haynes yamaha trx is additionally useful you have remained in right site to start getting this

*neda trx gaymenkul groupe canimex linkedin* - Feb 26 2022

web 1987 yılından itibaren hays markası adı altında ev ve iç giyim alanında uluslararası standartlarda kadın erkek çocuk hamile ve büyük beden ürünleri üretmekteyiz

**yamaha tdm850 trx850 xtz750 1989 1999 workshop** - Apr 11 2023

web description complete coverage of your yamaha tdm850 trx850 xtz750 89 99 with a haynes manual you can do it yourself from simple maintenance to full repairs

**haynes yamaha tdm850 trx850 xtz750 super** - Mar 10 2023

web feb 7 2023 find many great new used options and get the best deals for manual haynes for 1997 yamaha trx 850 4un3 at the best online prices at ebay free

**ne nerede en ucuz akakçe de** - Nov 25 2021

**haynes yamaha trx uniport edu ng** - Apr 30 2022

web neda trx adlı kullanıcının dünyanın en büyük profesyonel topluluğu olan linkedin deki profilini görüntüleyin neda trx adlı kişinin profilinde 1 iş ilanı bulunuyor neda trx adlı

**yamaha tdm850 trx850 and xtz750 service and repair** - Aug 15 2023

web buy yamaha tdm850 trx850 and xtz750 service and repair manual haynes service and repair manuals by coombs matthew isbn 9781859605400 from amazon s book

*manual haynes for 1997 yamaha trx 850 4un3 ebay* - Feb 09 2023

web haynes yamaha tdm850 trx850 xtz750 89 to 99 facebook

*honda motorcycle trx350d 1987 1989 clymer haynes* - Jul 14 2023

web honda motorcycle trx350d 1987 1989 haynes repair manuals guides need to service or repair your honda motorcycle trx350d 1987 1989 online and print formats

[haynes yamaha trx uniport edu ng](#) - Sep 04 2022

web jun 16 2023 this haynes yamaha trx but end up in detrimental downloads in the end you will absolutely reveal a

supplementary experience and action by expending

*yamaha trx motorcycle repair manuals literature ebay* - May 12 2023

web buy yamaha trx motorcycle repair manuals literature and get the best deals at the lowest prices on ebay great savings free delivery collection on many items

**haynes yamaha trx secure4 khronos** - Jul 02 2022

web jul 20 2023 haynes yamaha trx 2 7 downloaded from uniport edu ng on july 20 2023 by guest 205 t16 is the legendary group b turbocharged four wheel drive rally car

**yamaha two stroke outboard c30hp 1990 1995 clymer** - Jun 13 2023

web need to service or repair your yamaha two stroke outboard c30hp 1990 1995 online and print formats available save time and money when you follow the advice of haynes

**drone uzaktan kumandalı rc araçlar ve oyuncakhobi com** - Jun 01 2022

web tureks tur taşımacılık hisse senedi fiyatları yorumları ve değişimlerini grafiklerle anlık olarak takip edip güncel ve geriye dönük verilere ulaşmak için tıklayın

**honda motorcycle trx350 haynes repair manuals guides** - Oct 25 2021

**turex tureks tur taşımacılık hisse senedi İş yatırım** - Mar 30 2022

web philips traş makinesi için 95 sonuç bulundu sırala akıllı sıralama konum seç konuma Özel teslimat aynı gün teslimat tıraş makinesi tıraş makinesi aksesuarları

haynes yamaha tdm850 trx850 xtz750 89 to 99 facebook - Dec 07 2022

web yamaha motosiklet bayileri 68 adet bayi bulundu harita üzerindeki konumlar tahminidir

**hands on blockchain for python developers gain blockchain** - Aug 02 2022

web details table of contents accessibility hands on blockchain for python developers gain blockchain programming skills to build decentralized applications using python

**hands on blockchain for python developers gain blockchain** - Feb 08 2023

web hands on blockchain for python developers starts by demonstrating how blockchain technology and cryptocurrency hashing works you will understand the fundamentals

**hands on blockchain for python developers overdrive** - Feb 25 2022

web next we started to build a desktop cryptocurrency wallet we divided the application into many parts the blockchain the thread the widget the identicon tool and the test the

**hands on blockchain for python developers gain blockchain** - Jul 01 2022

web if you are a python developer who wants to enter the world of blockchain hands on blockchain for python developers is for you the book will be your go to guide to

*hands on blockchain for python developers gain bl* - Sep 22 2021

web jul 18 2019 ebook details paperback 450 pages publisher wow ebook february 14 2019 language english isbn 10 1788627857 isbn 13 978 1788627856 ebook

**hands on blockchain for python developers packt** - Oct 04 2022

web if you are a python developer who wants to enter the world of blockchain hands on blockchain for python developers is for you the book will be your go to guide to

*hands on blockchain for python developers 1st edition* - Sep 03 2022

web hands on blockchain for python developers starts by demonstrating how blockchain technology and cryptocurrency hashing works you will understand the fundamentals

**hands on blockchain for python developers book o reilly media** - Nov 05 2022

web buy hands on blockchain for python developers gain blockchain programming skills to build decentralized applications using python by kok arjuna sky isbn

[hands on blockchain for python developers free pdf download](#) - Oct 24 2021

web mar 24 2023 hands on blockchain for python developers gain bl when people should go to the book stores search creation by shop shelf by shelf it is truly

[hands on blockchain for python developers gain](#) - Mar 09 2023

web hands on blockchain for python developers gain blockchain programming skills to build decentralized applications using python kok arjuna sky amazon com tr kitap

[hands on blockchain for python developers github](#) - Jan 07 2023

web hands on blockchain for python developers gain blockchain programming skills to build decentralized applications using python ebook written by arjuna sky kok read

**hands on blockchain for python developers gain blockchain** - May 11 2023

web feb 14 2019 if you are a python developer who wants to enter the world of blockchain hands on blockchain for python developers is for you the book will be your go to

[hands on blockchain for python developers gain blockchain](#) - Apr 10 2023

web feb 14 2019 this book serves as a practical guide to developing a full fledged decentralized application with python to interact with the various building blocks of

[hands on blockchain for python developers gain bl](#) - Jan 27 2022

web feb 14 2019 if you are a python developer who wants to enter the world of blockchain hands on blockchain for python developers is for you the book will be your go to

**hands on blockchain for python developers gain blockchain** - Dec 06 2022

web this is the code repository for hands on blockchain for python developers published by packt gain blockchain programming skills to build decentralized applications using

**hands on blockchain for python developers google books** - Jun 12 2023

arjuna sky kokhas experience more than 10 years in expressing himself as a software engineer he has developed web applications using symfony laravel see more

**summary hands on blockchain for python developers packt** - Mar 29 2022

web in this chapter we learned how to build a gui frontend for a smart contract and how to use qt for python or the pyside2 library which utilizes the qt 5 library we set time aside to

**hands on blockchain for python developers gain bl pdf** - Dec 26 2021

web hands on blockchain for python developers gain bl yeah reviewing a book hands on blockchain for python developers gain bl could mount up your close connections

**packtpublishing hands on blockchain for pytho** - Aug 14 2023

blockchain is seen as the main technological solution that works as a public ledger for all cryptocurrency transactions this book serves as a practical guide to developing a full fledged decentralized application with python to interact with the various building blocks of blockchain applications this book covers the see more

*hands on blockchain for python developers gain bl pdf* - Nov 24 2021

web mar 25 2023 right here we have countless ebook hands on blockchain for python developers gain bl and collections to check out we additionally manage to pay for

**hands on blockchain for python developers perlego** - May 31 2022

web if you are a python developer who wants to enter the world of blockchain hands on blockchain for python developers is for you the book will be your go to guide to

*hands on blockchain for python developers gain blockchain* - Jul 13 2023

all of the code is organized into folders for example chapter02 the code will look like the following following is what you need for this book if you are a python see more

summary hands on blockchain for python developers packt - Apr 29 2022

web if you are a python developer who wants to enter the world of blockchain hands on blockchain for python developers is for you the book will be your go to guide to

[integral hydroponics indoor growing for beginners and intermediates](#) - Jul 01 2022

web really remarkable this extraordinary book aptly titled integral hydroponics indoor growing for beginners and intermediates edition 2 compiled by a very acclaimed author immerses readers in a captivating exploration of the significance of language and its profound effect on our existence

**integral hydroponics indoor growing for beginners and intermediates** - Sep 03 2022

web integral hydroponics indoor growing for beginners and intermediates edition 2 alternate exercises and problems for use with intermediate accounting third edition jun 04 2022

**integral hydroponics indoor growing for beginners and intermediates** - Aug 02 2022

web gardening indoors with soil and hydroponics the vertical farm hydroponics bulbous vegetables chinese cabbages mint herbs plant factory advanced greenhouse horticulture next generation greenhouses for food security cannabis grower s handbook architecture and agriculture integral hydroponics indoor growing for beginners

[integral hydroponics indoor growing principles for beginners](#) - Jul 13 2023

web integral hydroponics indoor growing principles for beginners and intermediates author grant low editor frank bona illustrated by chad mcdonald chris bertram

[integral hydroponics indoor growing for beginners and intermediates](#) - Aug 14 2023

web jan 1 2002 integral hydroponics indoor growing for beginners and intermediates edition 2 paperback january 1 2002

integral hydroponics indoor growing for beginners and intermediates edition 2 paperback january 1 2002 by g low author 5 0 1 rating see all formats and editions

**integral hydroponics indoor growing for beginners and intermediates** - Apr 10 2023

web find the best prices on integral hydroponics indoor growing for beginners and intermediates edition 2 by low g at biblio paperback 2002 integral hydroponics 9780646435817

**integral hydroponics indoor growing for beginners and intermediates** - Jan 27 2022

web this integral hydroponics indoor growing for beginners and intermediates edition 2 as one of the most operational sellers here will unquestionably be in the course of the best options to review plant science hudson thomas hartmann 1988 this text is intended as an introductory horticulture course its approach is scientific and substantive

**integral hydroponics indoor growing for beginners and intermediates** - Mar 29 2022

web you mean to download and install the integral hydroponics indoor growing for beginners and intermediates edition 2 it is completely easy then back currently we extend the colleague to buy and create

**integral hydroponics indoor growing for beginners and intermediates** - Feb 25 2022

web integral hydroponics indoor growing for beginners and intermediates edition downloaded from thor byteorbit com

tristian frey aquaponic gardening food agriculture org with the continued implementation of new equipment and new concepts and methods such as hydroponics and soilless practices crop growth has improved

**integral hydroponics indoor growing for beginners and intermediates** - Mar 09 2023

web home hydroponics integral hydroponics indoor growing for beginners and intermediates edition 2 downloaded from origin staging corporate abercrombie com by guest gabrielle everett plant factory basics applications and advances van patten publishing a gardening expert provides eco friendly all natural and family

**integral hydroponics indoor growing principles for beginners** - Dec 06 2022

web integral hydroponics indoor growing principles for beginners intermediates paperback illustrated 19 august 2009 by g low author 3 5 7 ratings see all

integral hydroponics indoor growing principles for beginners - Nov 05 2022

web aug 19 2009 learn the principles behind high yield plant growth unlock the genetic potential of your crop through understanding what the experts already understand integral hydroponics provides you with the keys to unlocking premium yields time after time after time you no longer need to learn by trial and error

**integral hydroponics indoor growing for beginners and intermediates** - May 11 2023

web growing for beginners and intermediates edition 2 low g on amazon com free shipping on qualifying offers integral hydroponics indoor growing for beginners and intermediates edition 2 integral hydroponics indoor growing for beginners and integral hydroponics indoor growing principles for beginners and

*integral hydroponics indoor growing for beginners and intermediates* - May 31 2022

web integral hydroponics indoor growing for beginners and intermediates edition 2 it is your totally own times to take steps reviewing habit accompanied by guides you could enjoy now is integral hydroponics indoor growing for beginners and intermediates edition 2 below plant science hudson thomas hartmann 2023 04 04

**growing plants indoors with hydroponics gardening know how** - Apr 29 2022

web mar 29 2023 humidity levels should stay around 50 to 70 percent for optimal plant growth much the same as for growing houseplants with hydroponic gardening ph levels are extremely important and should be checked regularly maintaining ph levels between 5 8 and 6 3 is usually suitable for most plants suitable ventilation is another

**integral hydroponics indoor growing principles for beginners** - Jan 07 2023

web unlock the genetic potential of your crop through understanding what the experts already understand integral hydroponics provides you with the keys to unlocking premium yields time after time after time you no longer need to learn by trial and error

**integral hydroponics indoor growing for beginners and intermediates** - Sep 15 2023

web integral hydroponics indoor growing for beginners and intermediates edition 2 downloaded from analytics mirowin com by guest caleb marshall national gardening cool springs press grow your own delicious food literally anywhere in home hydroponics hydroponic growing pro tyler baras aka farmer tyler shows you how

**integral hydroponics indoor growing for beginners and intermediates** - Oct 04 2022

web integral hydroponics indoor growing for beginners and intermediates edition 2 integral hydroponics indoor growing for beginners and intermediates edition 2 2 downloaded from oldcove com on 2022 01 24 by guest addressing application of the knowledge of allelopathy jubb kennedy palmer s pathology of domestic

*integral hydroponics indoor growing principles for beginners* - Feb 08 2023

web integral hydroponics indoor growing principles for beginners and intermediates edition 3 the most popular hydroponics book in circulation integral hydroponics turn on the lights do you want to dramatically increase yields learn the principles behind high yield plant growth

**integral hydroponics indoor growing for beginners and intermediates** - Jun 12 2023

web integral hydroponics indoor growing for beginners and intermediates edition 2 my indoor garden jun 20 2020 discusses how to care for plants indoors including such aspects as light temperature humidity pests diseases equipment and how to choose and grow your own plants full color illustrations marijuana indoors dec 27 2020