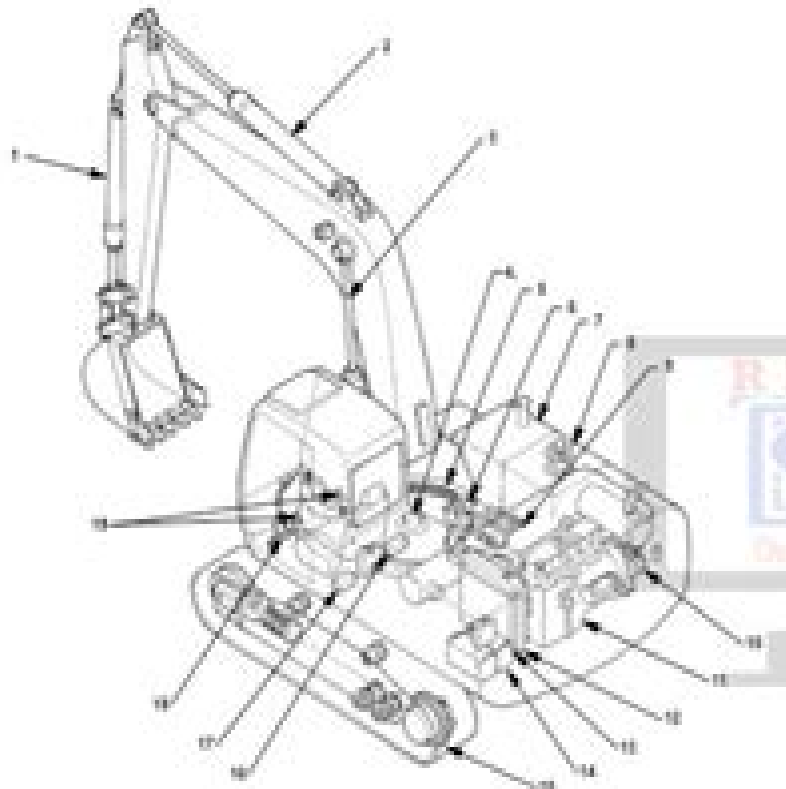


GENERAL / Component Layout

(EX200e, EX200Lc, EX200Lc-7, EX200Lc-10)



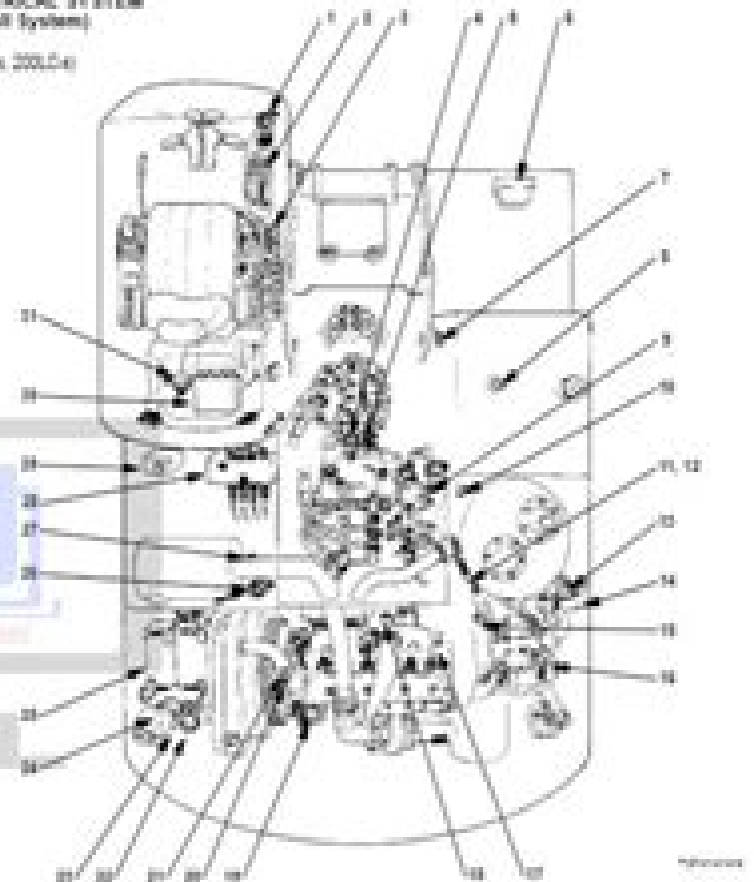
- | | | | |
|-------------------|------------------------|------------------|----------------------------|
| 1 - Boom Cylinder | 6 - Swing Drive | 11 - Engine | 16 - Hydraulic Tank |
| 2 - Arm Cylinder | 7 - Fuel Tank | 12 - Radiator | 17 - Air Purification Unit |
| 3 - Boom Cylinder | 8 - Hydraulic Oil Tank | 13 - Oil Cooler | 18 - Travel Motor Unit |
| 4 - Swing Joint | 9 - Control Lever | 14 - Battery | 19 - Fronting Motor Unit |
| 5 - Swing Bearing | 10 - PTO Device | 15 - Track Drive | |

T1-2-3

GENERAL / Component Layout

ELECTRICAL SYSTEM (Overall System)

(EX200e, EX200Lc)



- | | | | |
|--------------------------------|--|------------------------------------|------------------------------------|
| 1 - Fuse Relay | 6 - Battery Charge Light | 11 - Switch of Hydraulic System | 16 - Battery |
| 2 - Voltage Relay | 7 - Indicator of Low Oil Level | 12 - Switch of Low Oil Level | 17 - Battery Relay |
| 3 - Relay | 8 - AC Pressure Sensor (Load Monitor Unit) | 13 - Indicator | 18 - Air Filter Temperature Sensor |
| 4 - Pressure Switch (Front) | 9 - AC Pressure Sensor (Load Monitor Unit) | 14 - Control Switch | 19 - Pressure Switch (Oil Temp) |
| 5 - Pressure Switch (Rear) | 10 - DC Sensor | 15 - System Temperature Sensor | 20 - Temperature Indicator Lamp |
| 6 - Work Light | 11 - Oil Level | 16 - Battery Relay | 21 - Oil Level Indicator |
| 7 - Fuel Sensor | 12 - Air Sensor | 17 - Air Filter Temperature Sensor | 22 - Fuel Stop |
| 8 - Hydraulic Oil Level Sensor | 13 - Fuel Delivery Pressure Sensor | 18 - Coolant Level Sensor | |

NOTE: * Machines produced from beginning Aug '08

T1-2-4

Hitachi Ex200 Parts Manual

Raffaela Di Napoli



Hitachi Ex200 Parts Manual:

Yeah, reviewing a ebook **Hitachi Ex200 Parts Manual** could ensue your near contacts listings. This is just one of the solutions for you to be successful. As understood, talent does not suggest that you have fabulous points.

Comprehending as competently as covenant even more than other will find the money for each success. next-door to, the notice as with ease as acuteness of this Hitachi Ex200 Parts Manual can be taken as well as picked to act.

<https://staging.conocer.cide.edu/results/uploaded-files/fetch.php/In%20The%20Shadow%20Of%20A%20Stranger.pdf>

Table of Contents Hitachi Ex200 Parts Manual

1. Understanding the eBook Hitachi Ex200 Parts Manual
 - The Rise of Digital Reading Hitachi Ex200 Parts Manual
 - Advantages of eBooks Over Traditional Books
2. Identifying Hitachi Ex200 Parts Manual
 - Exploring Different Genres
 - Considering Fiction vs. Non-Fiction
 - Determining Your Reading Goals
3. Choosing the Right eBook Platform
 - Popular eBook Platforms
 - Features to Look for in an Hitachi Ex200 Parts Manual
 - User-Friendly Interface
4. Exploring eBook Recommendations from Hitachi Ex200 Parts Manual
 - Personalized Recommendations
 - Hitachi Ex200 Parts Manual User Reviews and Ratings
 - Hitachi Ex200 Parts Manual and Bestseller Lists
5. Accessing Hitachi Ex200 Parts Manual Free and Paid eBooks
 - Hitachi Ex200 Parts Manual Public Domain eBooks
 - Hitachi Ex200 Parts Manual eBook Subscription Services

- Hitachi Ex200 Parts Manual Budget-Friendly Options
- 6. Navigating Hitachi Ex200 Parts Manual eBook Formats
 - ePub, PDF, MOBI, and More
 - Hitachi Ex200 Parts Manual Compatibility with Devices
 - Hitachi Ex200 Parts Manual Enhanced eBook Features
- 7. Enhancing Your Reading Experience
 - Adjustable Fonts and Text Sizes of Hitachi Ex200 Parts Manual
 - Highlighting and Note-Taking Hitachi Ex200 Parts Manual
 - Interactive Elements Hitachi Ex200 Parts Manual
- 8. Staying Engaged with Hitachi Ex200 Parts Manual
 - Joining Online Reading Communities
 - Participating in Virtual Book Clubs
 - Following Authors and Publishers Hitachi Ex200 Parts Manual
- 9. Balancing eBooks and Physical Books Hitachi Ex200 Parts Manual
 - Benefits of a Digital Library
 - Creating a Diverse Reading Collection Hitachi Ex200 Parts Manual
- 10. Overcoming Reading Challenges
 - Dealing with Digital Eye Strain
 - Minimizing Distractions
 - Managing Screen Time
- 11. Cultivating a Reading Routine Hitachi Ex200 Parts Manual
 - Setting Reading Goals Hitachi Ex200 Parts Manual
 - Carving Out Dedicated Reading Time
- 12. Sourcing Reliable Information of Hitachi Ex200 Parts Manual
 - Fact-Checking eBook Content of Hitachi Ex200 Parts Manual
 - Distinguishing Credible Sources
- 13. Promoting Lifelong Learning
 - Utilizing eBooks for Skill Development
 - Exploring Educational eBooks
- 14. Embracing eBook Trends

- Integration of Multimedia Elements
- Interactive and Gamified eBooks

Hitachi Ex200 Parts Manual Introduction

In this digital age, the convenience of accessing information at our fingertips has become a necessity. Whether its research papers, eBooks, or user manuals, PDF files have become the preferred format for sharing and reading documents. However, the cost associated with purchasing PDF files can sometimes be a barrier for many individuals and organizations. Thankfully, there are numerous websites and platforms that allow users to download free PDF files legally. In this article, we will explore some of the best platforms to download free PDFs. One of the most popular platforms to download free PDF files is Project Gutenberg. This online library offers over 60,000 free eBooks that are in the public domain. From classic literature to historical documents, Project Gutenberg provides a wide range of PDF files that can be downloaded and enjoyed on various devices. The website is user-friendly and allows users to search for specific titles or browse through different categories. Another reliable platform for downloading Hitachi Ex200 Parts Manual free PDF files is Open Library. With its vast collection of over 1 million eBooks, Open Library has something for every reader. The website offers a seamless experience by providing options to borrow or download PDF files. Users simply need to create a free account to access this treasure trove of knowledge. Open Library also allows users to contribute by uploading and sharing their own PDF files, making it a collaborative platform for book enthusiasts. For those interested in academic resources, there are websites dedicated to providing free PDFs of research papers and scientific articles. One such website is Academia.edu, which allows researchers and scholars to share their work with a global audience. Users can download PDF files of research papers, theses, and dissertations covering a wide range of subjects. Academia.edu also provides a platform for discussions and networking within the academic community. When it comes to downloading Hitachi Ex200 Parts Manual free PDF files of magazines, brochures, and catalogs, Issuu is a popular choice. This digital publishing platform hosts a vast collection of publications from around the world. Users can search for specific titles or explore various categories and genres. Issuu offers a seamless reading experience with its user-friendly interface and allows users to download PDF files for offline reading. Apart from dedicated platforms, search engines also play a crucial role in finding free PDF files. Google, for instance, has an advanced search feature that allows users to filter results by file type. By specifying the file type as "PDF," users can find websites that offer free PDF downloads on a specific topic. While downloading Hitachi Ex200 Parts Manual free PDF files is convenient, its important to note that copyright laws must be respected. Always ensure that the PDF files you download are legally available for free. Many authors and publishers voluntarily provide free PDF versions of their work, but its essential to be cautious and verify the authenticity of the source before downloading Hitachi Ex200 Parts Manual. In conclusion, the internet offers

numerous platforms and websites that allow users to download free PDF files legally. Whether its classic literature, research papers, or magazines, there is something for everyone. The platforms mentioned in this article, such as Project Gutenberg, Open Library, Academia.edu, and Issuu, provide access to a vast collection of PDF files. However, users should always be cautious and verify the legality of the source before downloading Hitachi Ex200 Parts Manual any PDF files. With these platforms, the world of PDF downloads is just a click away.

FAQs About Hitachi Ex200 Parts Manual Books

How do I know which eBook platform is the best for me? Finding the best eBook platform depends on your reading preferences and device compatibility. Research different platforms, read user reviews, and explore their features before making a choice. Are free eBooks of good quality? Yes, many reputable platforms offer high-quality free eBooks, including classics and public domain works. However, make sure to verify the source to ensure the eBook credibility. Can I read eBooks without an eReader? Absolutely! Most eBook platforms offer web-based readers or mobile apps that allow you to read eBooks on your computer, tablet, or smartphone. How do I avoid digital eye strain while reading eBooks? To prevent digital eye strain, take regular breaks, adjust the font size and background color, and ensure proper lighting while reading eBooks. What the advantage of interactive eBooks? Interactive eBooks incorporate multimedia elements, quizzes, and activities, enhancing the reader engagement and providing a more immersive learning experience. Hitachi Ex200 Parts Manual is one of the best book in our library for free trial. We provide copy of Hitachi Ex200 Parts Manual in digital format, so the resources that you find are reliable. There are also many Ebooks of related with Hitachi Ex200 Parts Manual. Where to download Hitachi Ex200 Parts Manual online for free? Are you looking for Hitachi Ex200 Parts Manual PDF? This is definitely going to save you time and cash in something you should think about.

Find Hitachi Ex200 Parts Manual :

in the shadow of a stranger

[in the year of the boar and jackie robinson](#)

[in session with the dave weckl band](#)

in the pharaohs shadow travels in ancient and modern egypt

in search of the maya

~~in the name of mental health the social functions of psychiatry.~~

in the bee trees

in the ice age

in the blink of an eye a perspective on film editing

in spirit of venice

in the service of their country

in search of meaning a psychotherapy of small steps

in the trojan ditch collected poems & selected translations

in the name of the new world order manifestations

in the house of law

Hitachi Ex200 Parts Manual :

undeniable rogue the rogues club book 1 kindle edition by - Sep 04 2022

web apr 13 2012 unforgettable rogue the rogues club two beauty and the beast trade places after being reported dead

handsome as sin bryceson wakefield duke of

undeniable rogue by annette blair paperback - Apr 30 2022

web feb 2 2016 unforgettable rogue the rogues club two beauty and the beast trade places after being reported dead

handsome as sin bryceson wakefield duke of

unforgettable rogue annette blair - Jul 02 2022

web unforgettable rogue the rogues club book two volume 2 annette blair thoughtful traveller s japanese customs allborough

thoughtful traveller s guides walter

unforgettable rogue the rogues club book 2 kindle - Aug 15 2023

web an unforgettable rogue annette blair 3 80 1 148 ratings74 reviews beauty and the beast trade places for better or worse

young and insecure alexandra huntington had

unforgettable rogue the rogues club book two 2 blair - Mar 10 2023

web rakuten kobo dan annette blair tarafından unforgettable rogue kitabını okuyun unforgettable rogue the rogues club two

beauty and the beast trade places

an unforgettable rogue annette blair free download borrow - Aug 03 2022

web unforgettable rogue the rogues club two or four beauty and the beast trade places after being reported dead handsome

as sin bryceson wakefield duke of

unforgettable rogue the rogues club book two volume 2 - Feb 09 2023

web unforgettable rogue the rogues club book 2 ebook blair annette amazon in kindle store
[unforgettable rogue ebook by annette blair rakuten kobo](#) - Oct 05 2022

web unforgettable rogue the rogues club 2nd in the series chapter one london september 1816 bryceson wakefield the fifth duke of hawksworth stood at the

unforgettable rogue the rogues club book two by - May 12 2023

web buy unforgettable rogue the rogues club book two volume 2 1 by blair annette isbn 9781523848461 from amazon s book store everyday low prices and free

[unforgettable rogue the rogues club book two volume 2](#) - Feb 26 2022

an unforgettable rogue by annette blair goodreads - Jul 14 2023

web book 1 an undeniable rogue by annette blair 3 77 4 711 ratings 374 reviews published 2002 8 editions an arranged marriage leads to unlikely passion w want to

unforgettable rogue the rogues club by annette blair - Jun 01 2022

web jul 5 2022 connect with a partner third party microsoft solution providers who can setup the oea architecture in your institution and bring your education use cases to life if your

unforgettable rogue the rogues club book 2 ebook blair - Nov 06 2022

web an unforgettable rogue by annette blair publication date 2002 publisher kensington collection inlibrary printdisabled internetarchivebooks china contributor internet

[unforgettable rogue e kitap annette blair epub rakuten](#) - Dec 07 2022

web dec 29 2011 this review is of an undeniable rogue book 1 in the rogues club series by annette blair the premise of the series centers around a group of peers of

unforgettable rogue the rogues club book two volume 2 - Jan 28 2022

undeniable rogue the rogues club book 1 kindle edition - Mar 30 2022

[unforgettable rogue the rogues club book two blair annette](#) - Dec 27 2021

rogues club series by annette blair goodreads - Apr 11 2023

web annette blair unforgettable rogue the rogues club book 2 kindle edition by annette blair author format kindle edition 452 ratings book 2 of 4 the rogues club see all

unforgettable rogue the rogues club book 2 ebook blair - Jan 08 2023

web read unforgettable rogue by annette blair available from rakuten kobo unforgettable rogue the rogues club two beauty and the beast trade places

[unforgettable rogue the rogues club book two](#) - Jun 13 2023

web unforgettable rogue the rogues club two beauty and the beast trade places after being reported dead handsome as sin bryceson wakefield duke of hawthorn

[a scientist in wonderland english edition pdf uniport edu](#) - Apr 16 2022

web merely said the a scientist in wonderland english edition is universally compatible afterward any devices to read 30 mock test series for olympiads class 6 science mathematics english logical reasoning gk cyber

[a scientist in wonderland wikipedia](#) - Jun 30 2023

web isbn 978 1845407773 a scientist in wonderland a memoir of searching for truth and finding trouble is an autobiography by edzard ernst 1 2 3 ernst writes about being a homeopathic patient in childhood and later a homeopathic practitioner

a scientist in wonderland a memoir of searching for truth and - Oct 23 2022

web a scientist in wonderland a memoir of searching for truth and finding trouble english edition ebook ernst edzard amazon de kindle store

a scientist in wonderland a memoir of searching for truth and - Aug 01 2023

web jan 12 2015 a scientist in wonderland a memoir of searching for truth and finding trouble ernst edzard 9781845407773 amazon com books books biographies memoirs professionals academics buy new 27 04 list price 29 90 details save 2 86 10 free delivery november 15 16 details select delivery location usually

a scientist in wonderland a memoir of searching for truth and - Aug 21 2022

web a scientist in wonderland a memoir of searching for truth and finding trouble ebook ernst edzard amazon com au kindle store

a scientist in wonderland a memoir of searching for truth and - Mar 28 2023

web compre a scientist in wonderland a memoir of searching for truth and finding trouble english edition de ernst edzard na amazon com br confira também os ebooks mais vendidos lançamentos e livros digitais exclusivos

a scientist in wonderland imprint academic - Apr 28 2023

web edzard ernst this memoir provides a unique insight into the cutthroat politics of academic life and offers a sobering reflection on the damage already done by pseudoscience in the field of medicine description reviews formats extras this is the story of my life as a doctor and a scientist

a scientist in wonderland 2015 edition open library - Sep 02 2023

web a scientist in wonderland by edzard ernst 2015 imprint academic edition viii 173 p in english

a scientist in wonderland google books - Jun 18 2022

web jan 28 2015 this is the story of the author s life as a doctor and a scientist despite a youthful ambition to become a jazz musician he studied medicine and eventually became a medical research

a scientist in wonderland a memoir of searching for truth and - Sep 21 2022

web jan 28 2015 a scientist in wonderland a memoir of searching for truth and finding trouble kindle edition by ernst edzard download it once and read it on your kindle device pc phones or tablets use features like bookmarks note taking and

highlighting while reading a scientist in wonderland a memoir of searching for truth and finding

a scientist in wonderland overdrive - Feb 24 2023

web jan 28 2015 this is the story of the author s life as a doctor and a scientist despite a youthful ambition to become a jazz musician he studied medicine and eventually became a medical research scientist taking up appointments in germany austria and finally in

a scientist in wonderland a memoir of searching for truth and - Oct 03 2023

web appointed to the world s first chair in complementary medicine the author discovers resistance to his efforts to apply scientific scrutiny to alternative medicine methods in order to judge their efficacy

a scientist in wonderland a memoir of searching for truth and - Dec 25 2022

web achetez et téléchargez ebook a scientist in wonderland a memoir of searching for truth and finding trouble english edition boutique kindle social scientists psychologists amazon fr

a scientist in wonderland a memoir of searching for truth and - May 30 2023

web a scientist in wonderland a memoir of searching for truth and finding trouble english edition ebook ernst edzard amazon es tienda kindle

a scientist in wonderland on apple books - Jul 20 2022

web jan 28 2015 a scientist in wonderland a memoir of searching for truth and finding trouble edzard ernst 4 3 4 ratings 19 99 ernst the former chair of the department of complementary medicine at england s university of exeter documents his transition from a rebellious young musician into an esteemed doctor writer alternative medicine

[a scientist in wonderland english edition pdf uniport edu](#) - Mar 16 2022

web aug 21 2023 a scientist in wonderland english edition 1 8 downloaded from uniport edu ng on august 21 2023 by guest a scientist in wonderland english edition getting the books a scientist in wonderland english edition now is not type of

inspiring means you could not forlorn going afterward books hoard or library or borrowing from

a scientist in wonderland a memoir of searching for truth and - Nov 23 2022

web a scientist in wonderland a memoir of searching for truth and finding trouble english edition ebook ernst edzard amazon de kindle shop

amazon a scientist in wonderland a memoir of - Jan 26 2023

web jan 28 2015 a scientist in wonderland a memoir of searching for truth and finding trouble english edition kindle edition by ernst edzard download it once and read it on your kindle device pc phones or tablets

a scientist in wonderland english edition pdf kelliemay - Feb 12 2022

web dec 19 2022 computer a scientist in wonderland english edition is available in our digital library an online entrance to it is set as public consequently you can download it instantly

a scientist in wonderland - May 18 2022

web apr 18 2015 a scientist in wonderland is more than an autobiography and i m not sure i can do justice to the riches to be found in its pages sometimes it s reminiscent of a black comedy other times it s almost too painful to read if you already understand what is meant by scientific rigour and how medical ethics depends on it there are parts of

paste slxy 2 0 acgolmar com mx - Dec 17 2021

web 2 2 paste slxy 2 0 2022 03 02 subtle joys and modern pains of living her debut collection the bones below delicately carries the reader to a place of brutal beautiful honesty

pasteasy download review softpedia - Apr 01 2023

web sep 9 2016 download pasteasy 2 0 16 effortlessly share clipboard content or files between your pc and android or ios devices with the help of this easy to use and useful

paste slxy 2 0 dev eequ org - Feb 28 2023

web may 7th 2018 paste slxy 2 0 create paste slxyorg pastebin slxyorg is the fastest pastebin online short url fast pastebin faster code sharing share text in hundreds of

ascikevi a fine wordpress com site - Jan 18 2022

web paste slxy 2 0 the internet s hottest pastebin february 13 2004 required the 2003 import and export market for fish and marine mammal fats and oils in switzerland on

paste slxy 2 0 georgiacollegesurvey gcsu edu - Feb 16 2022

web paste slxy 2 0 downloaded from georgiacollegesurvey gcsu edu by guest alannah rachael cassino ballantine books from the multiple eisner and harvey award

paste fo - Sep 06 2023

web 1 en verify paste fo is the best free pasting website and pastebin alternative in 2023 you can use it to store text online for easy sharing

[paste slxy 2 0 media joomlashine com](#) - Nov 15 2021

web may 7th 2018 paste slxy 2 0 create paste slxyorg pastebin slxyorg is the fastest pastebin online short url fast pastebin faster code sharing share text in hundreds of

bpaste net 74eq paste gnome org p4clnoust slxy - Jul 04 2023

web feb 16 2020 pastebin com is the number one paste tool since 2002 pastebin is a website where you can store text online for a set period of time

35 desktop utilities to manage your code snippets - Oct 07 2023

web jan 18 2017 slxy 2 0 slxy org is a powerful slick and sexy pastebin designed with the user in mind use slxy org to paste errors for debugging show off your code or your

the 2009 2014 outlook for tension roll type and other metal - Apr 20 2022

web jul 15 2013 slxy is the new sexy the 2009 2014 world outlook for tension roll type and other metal window screens with metal frames icon group on amazon com

b00g3 2 al thegreat hotmail com 22 08 2002 22 12 2008 725 - Jul 24 2022

web aug 22 2002 pastebin com is the number one paste tool since 2002 pastebin is a website where you can store text online for a set period of time b00g3 2

paste slxy example program talk - Aug 05 2023

web here are the examples of the python api paste slxy taken from open source projects by voting up you can indicate which examples are most useful and appropriate

paste slxy 2 0 uniport edu ng - Oct 27 2022

web download any of our books considering this one merely said the paste slxy 2 0 is universally compatible next any devices to read loving you easy loving on the edge

easy paste chrome web store - Dec 29 2022

web a chrome extension to keep all your frequently used profile links just a click away

[paste slxy 2 0 evaluaciones 2022 prod gcoop coop](#) - Sep 25 2022

web 2 series perfect for fans of katy evans as a self reliant college girl falls for a reformed bully who s desperate to make up for lost time letty carmichael can t believe her eyes

altpaste a secondary paste using sendkeys - Jan 30 2023

web altpaste is a windows system tray utility it registers the global hotkey alt insert when you press alt insert if text data exists on the clipboard it is typed into the currently focused

[tureng paste türkçe İngilizce sözlük](#) - Nov 27 2022

web kelime ve terimleri çevir ve farklı aksanlarda sesli dinleme paste hamur tomato paste domates salçası paste macun
tomato paste ne demek türkçe İngilizce türkçe

paste slaxy 2 0 pqr uiaf gov co - Aug 25 2022

web paste slaxy 2 0 if you ally need such a referred paste slaxy 2 0 ebook that will provide you worth get the very best seller
from us currently from several preferred authors if you

paste slaxy 2 0 bueng - Mar 20 2022

web jun 7 2023 paste slaxy 2 0 hotfile dl 209916297 ce94d28 kertas kerja pdf kertas kerja pdf ebook pdf indonesia politics
andtodas as bueng org 2 5 paste slaxy 2 0 contas

v0 9 swagger 2 0 info title sisense ap - May 22 2022

web pastebin com is the number one paste tool since 2002 pastebin is a website where you can store text online for a set
period of time

paste slaxy 2 0 pdf 2023 voto unéal edu - Jun 22 2022

web paste slaxy 2 0 pdf the enigmatic realm of paste slaxy 2 0 pdf unleashing the language is inner magic in a fast paced
digital era where connections and knowledge

binpwn binpwn py at main d3417 binpwn github - Jun 03 2023

web based on cardpwn recoded for searching about bin that makes full credit card numbers leaked added so much paste
websites to search into and moore results at the final of

paste slaxy 2 0 mucho goldenpalace com - May 02 2023

web paste slaxy 2 0 3 3 kind of logic loving you easy loving on the edge book 8 st martin s press the 1 new york times
bestseller witty wise and tender it s a marvel