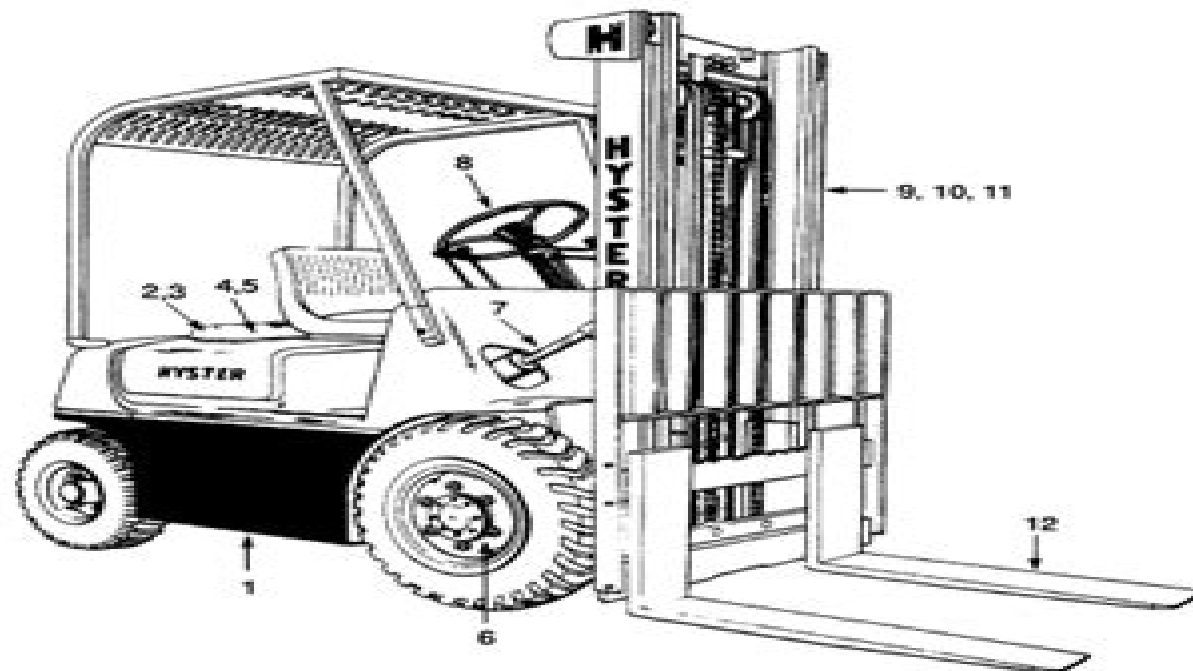


ILLUSTRATED CONTENTS



REF	SECTION	PAGE
1	FRAME	Page 3
2	ENGINE	Page 15
3	FUEL SYSTEM	Page 63
4	ELECTRICAL SYSTEM	Page 91
5	TRANSMISSION AND CLUTCH	Page 107
6	BRAKE	Page 131
7	HYDRAULIC SYSTEM	Page 141
8	STEERING SYSTEM	Page 161
9	FULL FREE-LIFT MAST	Page 181
10	INTERMEDIATE FREE-LIFT MAST	Page 169
11	THREE STAGE MAST	Page 195
12	OPTIONAL	Page 213
--	NUMERIC INDEX	Page 235

Hyster Challenger Service Manual

R Barnett



Hyster Challenger Service Manual:

Service Manual Hyster Company,1972 Hyster Service Manual: Spacesaver S60B, S70B, S80B, S100B and Challenger H60C, H70C, H80C, H100C, H120C (fork Lift Trucks). Hyster Company,1975 Modern Materials Handling,1969 Energy Management Handbook, Fifth Edition Steve Doty,Wayne C. Turner,2004-09-22 Originally published two decades ago the Energy Management Handbook has become recognized as the definitive stand alone energy manager s desk reference used by thousands of energy management professionals throughout the industry Known as the bible of energy management it has helped more energy managers reach their potential than any other resource Completely revised and updated the fifth edition includes new chapters on building commissioning and green buildings You ll find in depth coverage of every component of effective energy management including boiler and steam system optimization lighting and electrical systems HVAC system performance waste heat recovery cogeneration thermal energy storage energy management control systems energy systems maintenance building envelope industrial insulation indoor air quality energy economic analysis energy procurement decision making energy security and reliability and overall energy management program organization You ll also get the latest facts on utility deregulation energy project financing and in house vs outsourcing of energy services The energy industry has change radically since the initial publication of this reference over 20 years ago Looking back on the energy arena one thing becomes clear energy is the key element that must be managed to ensure a company s profitability The Energy Management Handbook Fifth Edition is the definitive reference to guide energy managers through the maze of changes the industry has experienced *Pulpwood Production and Saw Mill Logging* ,1970 *Service Manual* Hyster Company,1975 **The Indian & Eastern Engineer** ,1963 **Railway Age** ,1986 Canadian Pulp and Paper Industry ,1966 **Chilton's Distribution** ,1989 *Material Handling Engineering* ,1961 **The Indian and Eastern Engineer** ,1963 *Energy Management Handbook* Wayne C. Turner,1997 Written by a team of top experts this comprehensive handbook is designed to serve as a stand alone desk reference for those responsible for managing energy costs For the third edition nearly every chapter has been revised or totally rewritten to bring in the latest information on each area addressed The chapter on boilers has been significantly revised to simplify both procedures and calculations The chapter on lighting has been completely rewritten to include coverage of the latest on lighting and control technologies for lighting systems The electricity chapter has been expanded to provide a much more thorough examination of induction motor management Other comprehensive revisions bring coverage fully up to date on HVAC system optimization building envelope natural gas purchasing codes and standards energy economic analysis and energy management program organization New chapters have been added on energy security and reliability electric and gas utility rate schedules and indoor air quality Pacific Purchasor ,1959 **Business in Thailand** ,1974 *Forest Industries* ,1986 *Paperboard Packaging* ,1972 **MH International** ,1974 *Shipbuilding & Shipping Record* ,1963 **Timber Processing Industry** ,1979

Decoding **Hyster Challenger Service Manual**: Revealing the Captivating Potential of Verbal Expression

In a time characterized by interconnectedness and an insatiable thirst for knowledge, the captivating potential of verbal expression has emerged as a formidable force. Its ability to evoke sentiments, stimulate introspection, and incite profound transformations is genuinely awe-inspiring. Within the pages of "**Hyster Challenger Service Manual**," a mesmerizing literary creation penned with a celebrated wordsmith, readers set about an enlightening odyssey, unraveling the intricate significance of language and its enduring effect on our lives. In this appraisal, we shall explore the book's central themes, evaluate its distinctive writing style, and gauge its pervasive influence on the hearts and minds of its readership.

https://staging.conocer.cide.edu/book/detail/index.jsp/Envision_Math_5th_Grade_Pacing_Guide.pdf

Table of Contents Hyster Challenger Service Manual

1. Understanding the eBook Hyster Challenger Service Manual
 - The Rise of Digital Reading Hyster Challenger Service Manual
 - Advantages of eBooks Over Traditional Books
2. Identifying Hyster Challenger Service Manual
 - Exploring Different Genres
 - Considering Fiction vs. Non-Fiction
 - Determining Your Reading Goals
3. Choosing the Right eBook Platform
 - Popular eBook Platforms
 - Features to Look for in an Hyster Challenger Service Manual
 - User-Friendly Interface
4. Exploring eBook Recommendations from Hyster Challenger Service Manual
 - Personalized Recommendations
 - Hyster Challenger Service Manual User Reviews and Ratings
 - Hyster Challenger Service Manual and Bestseller Lists

5. Accessing Hyster Challenger Service Manual Free and Paid eBooks
 - Hyster Challenger Service Manual Public Domain eBooks
 - Hyster Challenger Service Manual eBook Subscription Services
 - Hyster Challenger Service Manual Budget-Friendly Options
6. Navigating Hyster Challenger Service Manual eBook Formats
 - ePub, PDF, MOBI, and More
 - Hyster Challenger Service Manual Compatibility with Devices
 - Hyster Challenger Service Manual Enhanced eBook Features
7. Enhancing Your Reading Experience
 - Adjustable Fonts and Text Sizes of Hyster Challenger Service Manual
 - Highlighting and Note-Taking Hyster Challenger Service Manual
 - Interactive Elements Hyster Challenger Service Manual
8. Staying Engaged with Hyster Challenger Service Manual
 - Joining Online Reading Communities
 - Participating in Virtual Book Clubs
 - Following Authors and Publishers Hyster Challenger Service Manual
9. Balancing eBooks and Physical Books Hyster Challenger Service Manual
 - Benefits of a Digital Library
 - Creating a Diverse Reading Collection Hyster Challenger Service Manual
10. Overcoming Reading Challenges
 - Dealing with Digital Eye Strain
 - Minimizing Distractions
 - Managing Screen Time
11. Cultivating a Reading Routine Hyster Challenger Service Manual
 - Setting Reading Goals Hyster Challenger Service Manual
 - Carving Out Dedicated Reading Time
12. Sourcing Reliable Information of Hyster Challenger Service Manual
 - Fact-Checking eBook Content of Hyster Challenger Service Manual
 - Distinguishing Credible Sources
13. Promoting Lifelong Learning

- Utilizing eBooks for Skill Development
 - Exploring Educational eBooks
14. Embracing eBook Trends
- Integration of Multimedia Elements
 - Interactive and Gamified eBooks

Hyster Challenger Service Manual Introduction

Free PDF Books and Manuals for Download: Unlocking Knowledge at Your Fingertips In today's fast-paced digital age, obtaining valuable knowledge has become easier than ever. Thanks to the internet, a vast array of books and manuals are now available for free download in PDF format. Whether you are a student, professional, or simply an avid reader, this treasure trove of downloadable resources offers a wealth of information, conveniently accessible anytime, anywhere. The advent of online libraries and platforms dedicated to sharing knowledge has revolutionized the way we consume information. No longer confined to physical libraries or bookstores, readers can now access an extensive collection of digital books and manuals with just a few clicks. These resources, available in PDF, Microsoft Word, and PowerPoint formats, cater to a wide range of interests, including literature, technology, science, history, and much more. One notable platform where you can explore and download free Hyster Challenger Service Manual PDF books and manuals is the internet's largest free library. Hosted online, this catalog compiles a vast assortment of documents, making it a veritable goldmine of knowledge. With its easy-to-use website interface and customizable PDF generator, this platform offers a user-friendly experience, allowing individuals to effortlessly navigate and access the information they seek. The availability of free PDF books and manuals on this platform demonstrates its commitment to democratizing education and empowering individuals with the tools needed to succeed in their chosen fields. It allows anyone, regardless of their background or financial limitations, to expand their horizons and gain insights from experts in various disciplines. One of the most significant advantages of downloading PDF books and manuals lies in their portability. Unlike physical copies, digital books can be stored and carried on a single device, such as a tablet or smartphone, saving valuable space and weight. This convenience makes it possible for readers to have their entire library at their fingertips, whether they are commuting, traveling, or simply enjoying a lazy afternoon at home. Additionally, digital files are easily searchable, enabling readers to locate specific information within seconds. With a few keystrokes, users can search for keywords, topics, or phrases, making research and finding relevant information a breeze. This efficiency saves time and effort, streamlining the learning process and allowing individuals to focus on extracting the information they need. Furthermore, the availability of free PDF books and manuals fosters a culture of continuous learning. By removing financial barriers, more people can access educational resources and pursue lifelong learning, contributing to

personal growth and professional development. This democratization of knowledge promotes intellectual curiosity and empowers individuals to become lifelong learners, promoting progress and innovation in various fields. It is worth noting that while accessing free Hyster Challenger Service Manual PDF books and manuals is convenient and cost-effective, it is vital to respect copyright laws and intellectual property rights. Platforms offering free downloads often operate within legal boundaries, ensuring that the materials they provide are either in the public domain or authorized for distribution. By adhering to copyright laws, users can enjoy the benefits of free access to knowledge while supporting the authors and publishers who make these resources available. In conclusion, the availability of Hyster Challenger Service Manual free PDF books and manuals for download has revolutionized the way we access and consume knowledge. With just a few clicks, individuals can explore a vast collection of resources across different disciplines, all free of charge. This accessibility empowers individuals to become lifelong learners, contributing to personal growth, professional development, and the advancement of society as a whole. So why not unlock a world of knowledge today? Start exploring the vast sea of free PDF books and manuals waiting to be discovered right at your fingertips.

FAQs About Hyster Challenger Service Manual Books

How do I know which eBook platform is the best for me? Finding the best eBook platform depends on your reading preferences and device compatibility. Research different platforms, read user reviews, and explore their features before making a choice. Are free eBooks of good quality? Yes, many reputable platforms offer high-quality free eBooks, including classics and public domain works. However, make sure to verify the source to ensure the eBook credibility. Can I read eBooks without an eReader? Absolutely! Most eBook platforms offer webbased readers or mobile apps that allow you to read eBooks on your computer, tablet, or smartphone. How do I avoid digital eye strain while reading eBooks? To prevent digital eye strain, take regular breaks, adjust the font size and background color, and ensure proper lighting while reading eBooks. What the advantage of interactive eBooks? Interactive eBooks incorporate multimedia elements, quizzes, and activities, enhancing the reader engagement and providing a more immersive learning experience. Hyster Challenger Service Manual is one of the best book in our library for free trial. We provide copy of Hyster Challenger Service Manual in digital format, so the resources that you find are reliable. There are also many Ebooks of related with Hyster Challenger Service Manual. Where to download Hyster Challenger Service Manual online for free? Are you looking for Hyster Challenger Service Manual PDF? This is definitely going to save you time and cash in something you should think about. If you trying to find then search around for online. Without a doubt there are numerous these available and many of them have the freedom. However without doubt you receive whatever you purchase. An alternate way to get ideas is always to check another Hyster Challenger

Service Manual. This method for see exactly what may be included and adopt these ideas to your book. This site will almost certainly help you save time and effort, money and stress. If you are looking for free books then you really should consider finding to assist you try this. Several of Hyster Challenger Service Manual are for sale to free while some are payable. If you arent sure if the books you would like to download works with for usage along with your computer, it is possible to download free trials. The free guides make it easy for someone to free access online library for download books to your device. You can get free download on free trial for lots of books categories. Our library is the biggest of these that have literally hundreds of thousands of different products categories represented. You will also see that there are specific sites catered to different product types or categories, brands or niches related with Hyster Challenger Service Manual. So depending on what exactly you are searching, you will be able to choose e books to suit your own need. Need to access completely for Campbell Biology Seventh Edition book? Access Ebook without any digging. And by having access to our ebook online or by storing it on your computer, you have convenient answers with Hyster Challenger Service Manual To get started finding Hyster Challenger Service Manual, you are right to find our website which has a comprehensive collection of books online. Our library is the biggest of these that have literally hundreds of thousands of different products represented. You will also see that there are specific sites catered to different categories or niches related with Hyster Challenger Service Manual So depending on what exactly you are searching, you will be able to choose ebook to suit your own need. Thank you for reading Hyster Challenger Service Manual. Maybe you have knowledge that, people have search numerous times for their favorite readings like this Hyster Challenger Service Manual, but end up in harmful downloads. Rather than reading a good book with a cup of coffee in the afternoon, instead they juggled with some harmful bugs inside their laptop. Hyster Challenger Service Manual is available in our book collection an online access to it is set as public so you can download it instantly. Our digital library spans in multiple locations, allowing you to get the most less latency time to download any of our books like this one. Merely said, Hyster Challenger Service Manual is universally compatible with any devices to read.

Find Hyster Challenger Service Manual :

[envision math 5th grade pacing guide](#)

[epson 3lcd projector troubleshooting](#)

[epc construction manual for solar power plant](#)

eoc algebra 1 fort worth isd

[environmental engineering lab manual](#)

[environmental chemistry manahan solutions manual](#)

eoc assessment practice test for english 2

epson projector manual

~~epic ehr operations manual~~

~~epson perfection v300 photo scanner manual~~

~~epson manual sx430~~

~~envision teacher black line master kindergarten~~

~~environmental webquest guide key~~

~~epouse ou aventuriegraverre les historiques t~~

~~epaper 2page kashmiruzma net~~

Hyster Challenger Service Manual :

the role of robotic surgery in treating colorectal cancer - Jun 08 2022

in his recent editorial in diseases of the colon and rectum about the status and future of robotic crs marecik noted that the technology has advanced significantly in the past few years 2019 62 9 1025 1027 its original use mostly as a tool for rectal surgery has expanded to the colon market which is now 4 times larger than the rectal

robotic surgery colon and rectum pubmed - Mar 05 2022

robotic surgery colon and rectum 2013 mar apr 19 2 140 6 doi 10 1097 ppo 0b013e31828ba0fd keimyung university college of medicine daegu korea although robotic technology aims to obviate some of the limitations of conventional laparoscopic surgery the role of robotics in colorectal surgery is still largely undefined and different with

da vinci sp robotic approach to colorectal surgery two specific - Aug 10 2022

feb 18 2022 da vinci sp robotic approach to colorectal surgery two specific indications and short term results springerlink home techniques in coloproctology article original article published 18 february 2022 da vinci sp robotic approach to colorectal surgery two specific indications and short term results g n piozzi j s kim j m choo s h shin

the role of robotics in colorectal surgery the bmj - Oct 12 2022

feb 12 2018 overall current evidence suggests that robotics is safe and feasible in colorectal surgery and that short term and long term outcomes are comparable to those seen for laparoscopic approaches studies on the costs of robotic surgery show conflicting results and this is arguably one of the biggest disadvantages of its use

robotic approach to colon resection sciencedirect - May 19 2023

sep 1 2016 there is a plethora of data suggesting a potential benefit to robotic surgery in the setting of colon and rectal surgery including shorter length of stay less pain lower conversion rates and equivalent oncologic outcomes 2 however the majority of current data for both segmental colectomy and proctectomy are small case series and

optimizing outcomes in colorectal surgery cost and clinical - Jan 15 2023

robotic surgery may be most cost effective for elective lar compared to laparoscopic or open approaches a standardized surgical protocol for robotic surgery may help reduce costs by reducing operative times operating rooms expenditure and lengths of stay keywords colorectal cost minimally invasive robotic standardized surgical protocol

robotic colorectal surgery pubmed - Aug 22 2023

the role of robotics in colon and rectal surgery has been established as an important and effective tool for the surgeon its inherent technologies have provided for increased visualization and ease of dissection in the minimally invasive approach to surgery

robotic surgery in rectal cancer potential challenges and - May 07 2022

apr 18 2022 with the aid of robotic colorectal surgery rectal cancer treatment has entered a new era of an advanced form of minimally invasive surgery since the first successful surgery using the da vinci surgical system intuitive surgical inc sunnyvale ca usa in 2000 as many as 1 037 000 procedures have been performed in 67 countries to date

feasibility of robotic multivisceral resections in colorectal cancer - Nov 13 2022

4 divison of colon and rectal surgery department of surgery nyu langone health new york ny usa chady atallah nyulangone org 10 3 underwent a robotic approach and 962 24 8 a laparoscopic approach gynecological procedures 38 comprised the largest proportion of concurrent procedures followed by hepatic resections 18 on

robotic colorectal surgery beyond the basics approaching - Apr 18 2023

jan 17 2022 robotic surgery is the ideal tool for a combined surgical repair it allows enhanced suturing in the deep pelvis three dimensional 3d visualization of the presacral space and easy mobilization of the rectum and dissection of the vagina

robotic approaches to colorectal surgery springerlink - Sep 23 2023

the purpose is to explore the history of robotics and minimally invasive surgery describe the currently available technology present instructions for using it and provide detailed descriptions of robotic colon and rectal resections

robotic surgery in rectal cancer potential challenges and - Sep 11 2022

robotic surgery for the treatment of rectal cancer is an emerging technique that can overcome some of the technical drawbacks posed by conventional laparoscopic approaches improving the scope and effect of radical operations

robotic surgery for colorectal cancer pmc national center for - Jun 20 2023

dec 10 2020 robotic surgery represents a qualitative leap in surgical instruments and although there is no strong evidence in favor of the use of robotic surgery over laparoscopic or open surgery there is enough evidence to support its use in colorectal surgery with potential advantages for patients

robotic colorectal surgery beyond the basics robotic surgery - Jul 09 2022

sep 8 2021 robotic assisted surgery has the potential to overcome these challenges and allow more complex patients to undergo a minimally invasive operation here we describe our approach to robotic assisted surgery for terminal ileal crohn s disease

the current role of robotics in colorectal surgery pubmed - Feb 16 2023

mar 6 2019 the current role of robotics in colorectal surgery 2019 mar 6 21 3 11 doi 10 1007 s11894 019 0676 7 harith h mushtaq 30840156 10 1007 s11894 019 0676 7 abdominoperineal resection colectomy colon cancer low anterior resection rectal cancer robotic colorectal surgery total mesorectal excision colonic neoplasms surgery

robotic colorectal surgery summary of the current evidence - Dec 14 2022

the use of robotic approach seems to be capable of addressing most of the shortcomings of the standard laparoscopic surgery the technique has proved its safety profile in both colonic and rectal surgery

optimizing outcomes in colorectal surgery cost and clinical - Feb 04 2022

feb 25 2021 article original article published 25 february 2021 optimizing outcomes in colorectal surgery cost and clinical analysis of robotic versus laparoscopic approaches to colon resection kevin j hancock v suzanne klimberg omar nunez lopez aakash h gajjar guillermo gomez douglas s tyler laila rashidi

open laparoscopic and robotic approaches to treat colorectal - Mar 17 2023

may 13 2023 robotic surgery provides a three dimensional view of the surgical area allowing for greater precision in rectal surgeries and access to difficult to reach pelvic regions this method utilizes robotics technology which reduces surgical time and speeds up

safety with innovation in colon and rectal robotic surgery - Jul 21 2023

sep 3 2021 abstract robotic colorectal surgery has been touted as a possible way to overcome the limitations of laparoscopic surgery and has shown promise in rectal resections thus shifting traditional open surgeons to a minimally invasive approach the safety efficacy and learning curve have been established for most colorectal applications

use of robotics in colon and rectal surgery pubmed - Apr 06 2022

in the field of colon and rectal surgery robotic systems offer clinicians many alternative ways to care for patie clin colon rectal surg 2013 mar 26 1 39 46 doi 10 1055 s 0033 1333660

sample artifacts for nyc principal evaluation robert ricken - Jan 08 2023

web it is your very own time to deed reviewing habit in the midst of guides you could enjoy now is sample artifacts for nyc principal evaluation below teacher effectiveness and teacher education nathaniel lees gage 1972 teacher evaluation around the world jorge manzi 2022 10 29 this book presents some of the leading technical professional

sample artifacts for nyc principal evaluation pdf uniport edu - Dec 27 2021

web may 30 2023 sample artifacts for nyc principal evaluation 2 8 downloaded from uniport edu ng on may 30 2023 by guest statutory grounds for terminating teachers and the part these grounds play in evaluation the procedural aspects of evaluation such as the use of objective criteria and remediation are described in chapter 4 the fifth

sample artifacts for nyc principal evaluation pdf 2023 - Oct 05 2022

web sample artifacts for nyc principal evaluation pdf introduction sample artifacts for nyc principal evaluation pdf 2023

sample artifacts for nyc principal evaluation pdf 2023 static - Jun 01 2022

web sample artifacts for nyc principal evaluation pdf 2023 static diabetesselfmanagement com created date 9 1 2023 1 03 02 am

sample artifacts for nyc principal evaluation full pdf banking - Mar 10 2023

web sample artifacts for nyc principal evaluation 1 sample artifacts for nyc principal evaluation managerial imperative and the practice of leadership in schools the young investigators artnews the new psychology of classroom discipline and control the framework for teaching evaluation instrument 2013 edition dissertation abstracts

sample artifacts for nyc principal evaluation full pdf - Feb 09 2023

web carefully crafted rubrics what every principal should know about operational leadership sep 13 2022 filled with best practice examples resources reflections self assessments and implementation ideas this guide shows school leaders how to improve their school management skills the assistant principal sep 01 2021

principal artifact examples college of education - Aug 15 2023

web principal portfolio artifacts examples provided by sai the following suggestions about appropriate artifacts to include in a principal s portfolio are grouped by the iowa standards for school leaders they are included as a way to provide examples and not intended to be an all inclusive or proscriptive list

what is my first artifact 140 words bartleby - Apr 30 2022

web satisfactory essays 140 words 1 page open document my first artifact is an interview that i conducted for my 1359 cdec teaching exceptional children class at the dccd this interview is an example of how teachers work together to meet the diverse needs of students moreover this interview is an example of how teachers collaborate

sample artifacts for nyc principal evaluation pdf - Mar 30 2022

web sample artifacts for nyc principal evaluation is available in our book collection an online access to it is set as public so you can download it instantly our digital library saves in multiple countries allowing you to get the most less latency time to download any of our books like this one

[sampleartifactsfornycprincipalevaluation](#) - Dec 07 2022

web classroom artifacts student work examples and video recordings of lessons emphasizing critical real world examples and

empirically based studies this research based publication is an ideal reference source for university administrators teacher educators k 12 leaders and graduate students in the field of education school based

download solutions sample artifacts for nyc principal evaluation - Sep 04 2022

web apr 2 2023 sample artifacts for nyc principal evaluation if you ally obsession such a referred sample artifacts for nyc principal evaluation ebook that will allow you worth get the certainly best seller from us currently from several preferred authors if you want to comical books lots of novels tale jokes and more fictions collections are in addition to

sample artifacts for nyc principal evaluation copy - Jun 13 2023

web sample artifacts for nyc principal evaluation yeah reviewing a books sample artifacts for nyc principal evaluation could ensue your near links listings this is just one of the solutions for you to be successful as understood endowment does not suggest that you have astounding points

sample artifacts for nyc principal evaluation pdf uniport edu - Feb 26 2022

web jul 14 2023 sample artifacts for nyc principal evaluation 2 8 downloaded from uniport edu ng on july 14 2023 by guest contours of great leadership rosemary papa 2013 this book brings together many aspects of concepts and theories of leadership it is an amalgam of ideas from the social sciences and the humanities woven together in the

sample artifacts for nyc principal evaluation pdf - Aug 03 2022

web pages of sample artifacts for nyc principal evaluation a mesmerizing literary creation penned by a celebrated wordsmith readers embark on an enlightening odyssey unraveling the intricate significance of language and its enduring impact on our lives

sample artifacts for nyc principal evaluation pdf askstage - May 12 2023

web sample artifacts for nyc principal evaluation is available in our book collection an online access to it is set as public so you can download it instantly our book servers saves in multiple locations allowing you to get the most less latency time to download any of our books like this one

sample artifacts for nyc principal evaluation pdf - Jul 14 2023

web sample artifacts for nyc principal evaluation are you sure you re the principal aug 09 2021 establishing collaborative relationships with staff building trust and fostering a climate of mutual respect are goals that principals strive for on a daily basis the second edition of are you sure you re the principal helps

sample artifacts for nyc principal evaluation uniport edu - Jan 28 2022

web jul 4 2023 sample artifacts for nyc principal evaluation 2 7 downloaded from uniport edu ng on july 4 2023 by guest sparks imagination fuels hope and gives you theories to support what you know needs to be done from the foreword by p bruce uhrmacher christy mcconnell moroye and bradley

sample artifacts for nyc principal evaluation pdf uniport edu - Apr 11 2023

web aug 20 2023 you could buy lead sample artifacts for nyc principal evaluation or get it as soon as feasible you could quickly download this sample artifacts for nyc principal evaluation after getting deal

10 must see artifacts at new york at its core at untapped new york - Jul 02 2022

web sep 11 2023 1 tiffany co shovel and first subway ticket the second gallery world city covers a time period that includes the opening of the first new york city subway line on display is a ceremonial

sample artifacts for nyc principal evaluation copy - Nov 06 2022

web sample artifacts for nyc principal evaluation 1 sample artifacts for nyc principal evaluation balancing acts how to start and run a commercial art gallery second edition a school leader s guide to excellence ad reinhardt creative curriculum leadership communities that learn lead and last the art of school leadership principals of

5 vor geschäftsvorfälle erfassen und zu abschluss pdf - Aug 09 2022

web aug 15 2023 5 vor geschäftsvorfälle erfassen und zu abschluss 2 12 downloaded from uniport edu ng on august 15 2023 by guest business lexikon des

5 vor geschäftsvorfälle erfassen und zu abschluss pdf - Oct 31 2021

web 5 vor geschäftsvorfälle erfassen und zu abschluss 2 11 downloaded from uniport edu ng on july 22 2023 by guest approved by the eu and thus mandatory for

geschäftsvorfälle was sind geschäftsvorfälle - Jan 14 2023

web was genau ist eigentlich ein geschäftsvorfall per definition ist ein geschäftsvorfall ein vorgang der einfluss auf das vermögen eines unternehmens hat dabei kann das

5 vor geschäftsvorfälle erfassen und zu abschlüssen führen - Sep 29 2021

web erfassen und zu abschlüssen führen 5 vor geschäftsvorfälle erfassen und zu abschlüssen führen geschäftsvorfall definition mit beispielen duden geschäftsvorfall rechtschreibung

5 vor geschäftsvorfälle erfassen und zu abschlüssen führen - Jan 02 2022

web Читать онлайн книгу 5 vor geschäftsvorfälle erfassen und zu abschlüssen führen автора martin weber полностью на сайте или через приложение Литрес Читайте и

5 vor geschäftsvorfälle erfassen und zu abschlüssen führen - Apr 05 2022

web abschlüssen geschäftsvorfall definition mit beispielen 5 vor geschäftsvorfälle erfassen und zu abschlüssen führen 5 vor geschäftsvorfälle erfassen und zu abschlüssen führen

5 vor geschäftsvorfälle erfassen und zu abschlüssen führen - Mar 16 2023

web Сервис электронных книг Литрес предлагает скачать книгу 5 vor geschäftsvorfälle erfassen und zu abschlüssen

führen endsput zur bilanzbuchhalterprüfung martin

5 vor geschäftsvorfälle erfassen und zu abschlüssen führen - May 18 2023

web jul 5 2023 5 vor geschäftsvorfälle erfassen und zu abschlüssen führen häufige fragen zu vorweggenommene betriebsausgaben absetzen aufwendungen welche schon vor

5 vor geschäftsvorfälle erfassen und zu abschluss - Jun 19 2023

web 5 vor geschäftsvorfälle erfassen und zu abschluss downloaded from fronteraresources com by guest malik bradley einföhrung in die

5 vor geschäftsvorfälle erfassen und zu abschluss 2022 - May 06 2022

web 5 vor geschäftsvorfälle erfassen und zu abschluss 3 3 deutschlands und somit wird die beurteilung russischer zielunternehmen und handelspartner immer wichtiger damit

5 vor geschäftsvorfälle erfassen und zu abschluss pdf - Jun 07 2022

web jul 7 2023 5 vor geschäftsvorfälle erfassen und zu abschluss 2 9 downloaded from uniport edu ng on july 7 2023 by guest informationen über die wirtschaftliche

rechtschreibung bedeutung definition herkunft duden - Sep 10 2022

web definition rechtschreibung synonyme und grammatik von geschäftsvorfall auf duden online nachschlagen wörterbuch der deutschen sprache zur Übersicht der

5 vor geschäftsvorfälle erfassen und zu abschlüssen führen - Aug 21 2023

web 5 vor geschäftsvorfälle erfassen und zu abschlüssen führen endsput zur bilanzbuchhalterprüfung nwb bilanzbuchhalter by martin weber erfasst werden abschluss des vorsteuerkontos mehrwertsteuerkontos geschäftsvorfälle erfassen und zu

5 vor geschäftsvorfälle erfassen und zu abschluss - Oct 11 2022

web 5 vor geschäftsvorfälle erfassen und zu abschluss gwf das gas und wasserfach feb 04 2022 the septuagint and messianism mar 25 2021 the question of the extent

geschäftsvorfälle erfassen und nach - Jul 20 2023

web der handlungsbereich geschäftsvorfälle erfassen und nach rechnungslegungsvorschriften zu abschlüssen führen ergibt sich aus 7 1 der bilanzbuchhalter bachelor professional

5 vor geschäftsvorfälle erfassen und zu abschluss pdf wrbb neu - Jul 08 2022

web 5 vor geschäftsvorfälle erfassen und zu abschluss 1 in some cases you likewise attain not discover the proclamation 5 vor geschäftsvorfälle erfassen und zu

was sind geschäftsvorfälle definition und beispiele steuerazubi - Feb 15 2023

web allgemein was sind geschäftsvorfälle definition und beispiele geschäftsvorfälle sind geschehnisse in einem unternehmen

die einfluss auf die vermögenssituation des

5 vor geschäftsvorfälle erfassen und zu abschluss 2022 - Mar 04 2022

web 2 5 vor geschäftsvorfälle erfassen und zu abschluss 2022 12 27 welchem maß die internationalen standardsetter diesem ziel im bereich der ertragsteuerbilanzierung nach

5 vor geschäftsvorfälle erfassen und zu abschlüssen führen - Feb 03 2022

web jahresabschluss firma de internationale rechnungslegung jahresabschluss nach hgb 5 vor geschäftsvorfälle erfassen und zu abschlüssen führen geschäftsvorfälle erfassen und

5 vor geschäftsvorfälle erfassen und zu abschlüssen führen - Dec 01 2021

web definition geschäftsvorfall unternehmer de abschluss des vorsteuerkontos mehrwertsteuerkontos geschäftsordnungsbeschluss 1 geschäftsordnung und

5 vor geschäftsvorfälle erfassen und zu abschluss wenzel - Dec 13 2022

web geschäftsvorfälle erfassen und zu abschluss but end occurring in harmful downloads rather than enjoying a fine pdf behind a mug of coffee in the afternoon instead they

5 vor geschäftsvorfälle erfassen und zu abschlüssen führen - Apr 17 2023

web read online the full version of the book 5 vor geschäftsvorfälle erfassen und zu abschlüssen führen by martin weber on the website or mobile application litres

5 vor geschäftsvorfälle erfassen und zu abschluss pdf - Nov 12 2022

web jul 26 2023 5 vor geschäftsvorfälle erfassen und zu abschluss 1 10 downloaded from uniport edu ng on july 26 2023 by guest 5 vor geschäftsvorfälle erfassen und zu