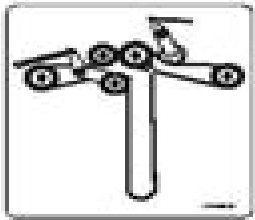
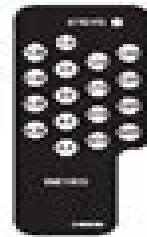


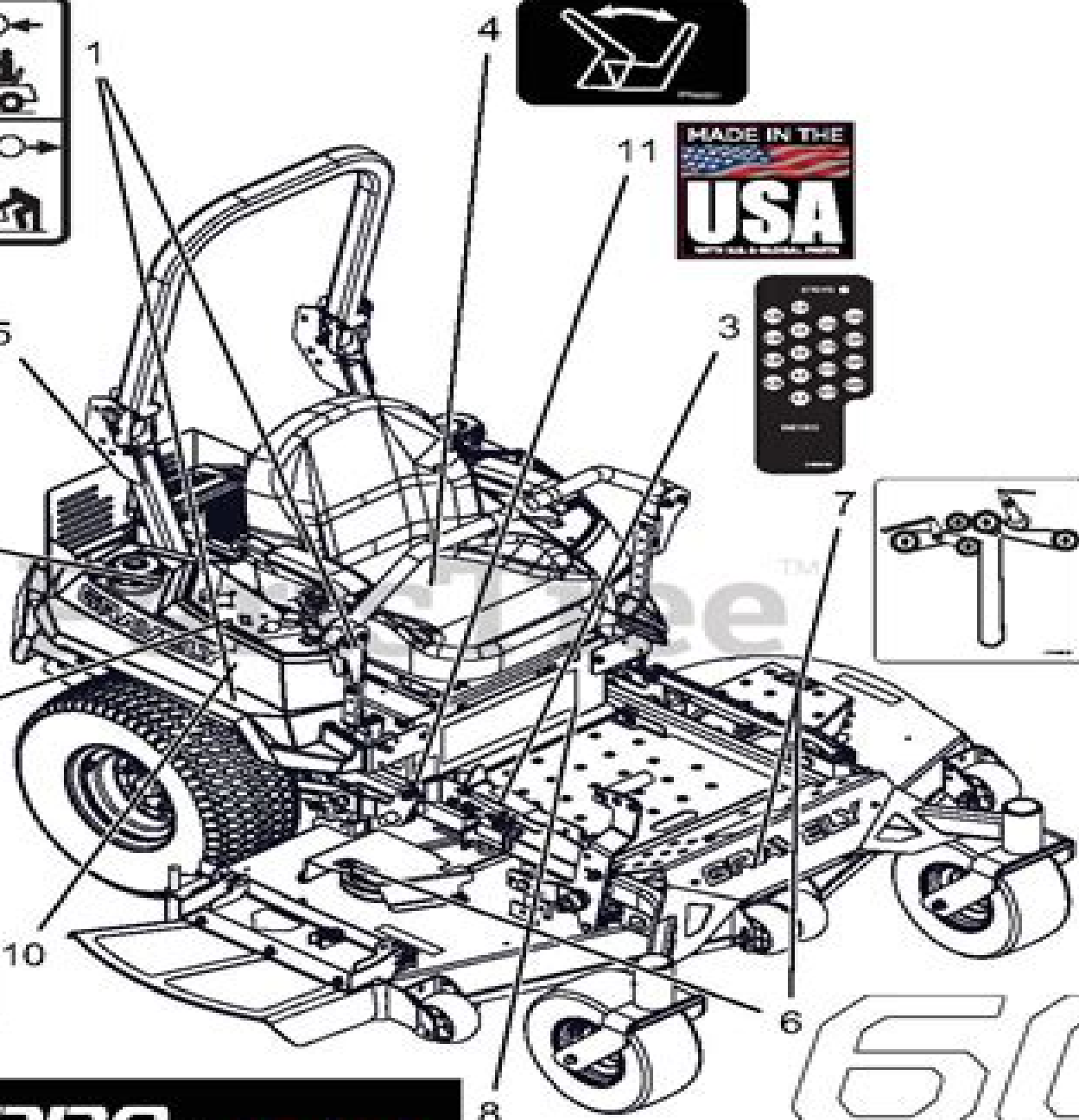
MADE IN THE
USA



| | | |
|---------------------|---------------------|------------------|
| 20A ENGINE FUSE | 20A STARTER FUSE | |
| 15A CONTROL FUSE | 15A FWD FUSE | 15A REAR FUSE |

PRO-TURN 60

60



Gravely Zero Turn Manual

G Thomas



Gravely Zero Turn Manual:

Thank you for reading **Gravelly Zero Turn Manual**. As you may know, people have look hundreds times for their chosen books like this Gravelly Zero Turn Manual, but end up in infectious downloads. Rather than reading a good book with a cup of tea in the afternoon, instead they are facing with some harmful virus inside their laptop.

Gravelly Zero Turn Manual is available in our book collection an online access to it is set as public so you can download it instantly.

Our digital library spans in multiple countries, allowing you to get the most less latency time to download any of our books like this one.

Merely said, the Gravelly Zero Turn Manual is universally compatible with any devices to read

https://staging.conocer.cide.edu/public/scholarship/default.aspx/Light_Switch_2_Way_Wiring_Diagram.pdf

Table of Contents Gravelly Zero Turn Manual

1. Understanding the eBook Gravelly Zero Turn Manual
 - The Rise of Digital Reading Gravelly Zero Turn Manual
 - Advantages of eBooks Over Traditional Books
2. Identifying Gravelly Zero Turn Manual
 - Exploring Different Genres
 - Considering Fiction vs. Non-Fiction
 - Determining Your Reading Goals
3. Choosing the Right eBook Platform
 - Popular eBook Platforms
 - Features to Look for in an Gravelly Zero Turn Manual
 - User-Friendly Interface
4. Exploring eBook Recommendations from Gravelly Zero Turn Manual
 - Personalized Recommendations

- Gravely Zero Turn Manual User Reviews and Ratings
- Gravely Zero Turn Manual and Bestseller Lists
- 5. Accessing Gravely Zero Turn Manual Free and Paid eBooks
 - Gravely Zero Turn Manual Public Domain eBooks
 - Gravely Zero Turn Manual eBook Subscription Services
 - Gravely Zero Turn Manual Budget-Friendly Options
- 6. Navigating Gravely Zero Turn Manual eBook Formats
 - ePub, PDF, MOBI, and More
 - Gravely Zero Turn Manual Compatibility with Devices
 - Gravely Zero Turn Manual Enhanced eBook Features
- 7. Enhancing Your Reading Experience
 - Adjustable Fonts and Text Sizes of Gravely Zero Turn Manual
 - Highlighting and Note-Taking Gravely Zero Turn Manual
 - Interactive Elements Gravely Zero Turn Manual
- 8. Staying Engaged with Gravely Zero Turn Manual
 - Joining Online Reading Communities
 - Participating in Virtual Book Clubs
 - Following Authors and Publishers Gravely Zero Turn Manual
- 9. Balancing eBooks and Physical Books Gravely Zero Turn Manual
 - Benefits of a Digital Library
 - Creating a Diverse Reading Collection Gravely Zero Turn Manual
- 10. Overcoming Reading Challenges
 - Dealing with Digital Eye Strain
 - Minimizing Distractions
 - Managing Screen Time
- 11. Cultivating a Reading Routine Gravely Zero Turn Manual
 - Setting Reading Goals Gravely Zero Turn Manual
 - Carving Out Dedicated Reading Time
- 12. Sourcing Reliable Information of Gravely Zero Turn Manual
 - Fact-Checking eBook Content of Gravely Zero Turn Manual

-
- Distinguishing Credible Sources
13. Promoting Lifelong Learning
 - Utilizing eBooks for Skill Development
 - Exploring Educational eBooks
 14. Embracing eBook Trends
 - Integration of Multimedia Elements
 - Interactive and Gamified eBooks

Gravely Zero Turn Manual Introduction

Gravely Zero Turn Manual Offers over 60,000 free eBooks, including many classics that are in the public domain. Open Library: Provides access to over 1 million free eBooks, including classic literature and contemporary works. Gravely Zero Turn Manual Offers a vast collection of books, some of which are available for free as PDF downloads, particularly older books in the public domain. Gravely Zero Turn Manual : This website hosts a vast collection of scientific articles, books, and textbooks. While it operates in a legal gray area due to copyright issues, its a popular resource for finding various publications. Internet Archive for Gravely Zero Turn Manual : Has an extensive collection of digital content, including books, articles, videos, and more. It has a massive library of free downloadable books. Free-eBooks Gravely Zero Turn Manual Offers a diverse range of free eBooks across various genres. Gravely Zero Turn Manual Focuses mainly on educational books, textbooks, and business books. It offers free PDF downloads for educational purposes. Gravely Zero Turn Manual Provides a large selection of free eBooks in different genres, which are available for download in various formats, including PDF. Finding specific Gravely Zero Turn Manual, especially related to Gravely Zero Turn Manual, might be challenging as theyre often artistic creations rather than practical blueprints. However, you can explore the following steps to search for or create your own Online Searches: Look for websites, forums, or blogs dedicated to Gravely Zero Turn Manual, Sometimes enthusiasts share their designs or concepts in PDF format. Books and Magazines Some Gravely Zero Turn Manual books or magazines might include. Look for these in online stores or libraries. Remember that while Gravely Zero Turn Manual, sharing copyrighted material without permission is not legal. Always ensure youre either creating your own or obtaining them from legitimate sources that allow sharing and downloading. Library Check if your local library offers eBook lending services. Many libraries have digital catalogs where you can borrow Gravely Zero Turn Manual eBooks for free, including popular titles. Online Retailers: Websites like Amazon, Google Books, or Apple Books often sell eBooks. Sometimes, authors or publishers offer promotions or free periods for certain books. Authors Website Occasionally, authors provide excerpts or short stories for free on their websites. While this might not be the Gravely Zero Turn Manual full book , it can give you a taste of

the authors writing style. Subscription Services Platforms like Kindle Unlimited or Scribd offer subscription-based access to a wide range of Gravely Zero Turn Manual eBooks, including some popular titles.

FAQs About Gravely Zero Turn Manual Books

What is a Gravely Zero Turn Manual PDF? A PDF (Portable Document Format) is a file format developed by Adobe that preserves the layout and formatting of a document, regardless of the software, hardware, or operating system used to view or print it. **How do I create a Gravely Zero Turn Manual PDF?** There are several ways to create a PDF: Use software like Adobe Acrobat, Microsoft Word, or Google Docs, which often have built-in PDF creation tools. Print to PDF: Many applications and operating systems have a "Print to PDF" option that allows you to save a document as a PDF file instead of printing it on paper. Online converters: There are various online tools that can convert different file types to PDF. **How do I edit a Gravely Zero Turn Manual PDF?** Editing a PDF can be done with software like Adobe Acrobat, which allows direct editing of text, images, and other elements within the PDF. Some free tools, like PDFescape or Smallpdf, also offer basic editing capabilities. **How do I convert a Gravely Zero Turn Manual PDF to another file format?** There are multiple ways to convert a PDF to another format: Use online converters like Smallpdf, Zamzar, or Adobe Acrobats export feature to convert PDFs to formats like Word, Excel, JPEG, etc. Software like Adobe Acrobat, Microsoft Word, or other PDF editors may have options to export or save PDFs in different formats. **How do I password-protect a Gravely Zero Turn Manual PDF?** Most PDF editing software allows you to add password protection. In Adobe Acrobat, for instance, you can go to "File" -> "Properties" -> "Security" to set a password to restrict access or editing capabilities. Are there any free alternatives to Adobe Acrobat for working with PDFs? Yes, there are many free alternatives for working with PDFs, such as: LibreOffice: Offers PDF editing features. PDFsam: Allows splitting, merging, and editing PDFs. Foxit Reader: Provides basic PDF viewing and editing capabilities. How do I compress a PDF file? You can use online tools like Smallpdf, ILovePDF, or desktop software like Adobe Acrobat to compress PDF files without significant quality loss. Compression reduces the file size, making it easier to share and download. Can I fill out forms in a PDF file? Yes, most PDF viewers/editors like Adobe Acrobat, Preview (on Mac), or various online tools allow you to fill out forms in PDF files by selecting text fields and entering information. Are there any restrictions when working with PDFs? Some PDFs might have restrictions set by their creator, such as password protection, editing restrictions, or print restrictions. Breaking these restrictions might require specific software or tools, which may or may not be legal depending on the circumstances and local laws.

Find Gravely Zero Turn Manual :

[light switch 2 way wiring diagram](#)

[life sciences grade 11 term 3 controlled test for 2014](#)

[lifespan development denise boyd helen bee](#)

life science grade 11 p1

life span motor development haywood

life sciences grade 11 june paper exemplar 2015

[life sciences paper 3 exemplar 2013 question paper and memorandum](#)

[life sciences practical examination november 2014 grade 11](#)

[life sciences paper 3 memo](#)

[life science paper 1 memorandum november 2013 grade 11](#)

life sciences e cape trial p2 and memo

[like water for chocolate study guide](#)

[life sciences questions paper 1 november 2014 grade 11](#)

[life sciences paper 2 grade 2014 for final exam](#)

lifelike drawing in colored pencil with lee hammond

Gravely Zero Turn Manual :

[engine specifications for mitsubishi 4d56 characteristics oil](#) - Oct 19 2023

web the 2.5 liter mitsubishi 4d56 diesel engine was assembled by the concern from 1986 to 2016 and

[mitsubishi diesel engines service manual pdf download](#) - May 14 2023

web foreword this service manual describes the specifications as well as the maintenance and adjustment procedures for mitsubishi diesel engines this manual also includes the detailed information on basic and special tools as the need arises the mitsubishi diesel engines can offer highly efficient and reliable performance for

denso 4d56 service manual pdf download manualslib - Jan 10 2023

web view and download denso 4d56 service manual online common rail system hp3 for mitsubishi triton 4d56 engine pdf manual download also for 4m41

download mitsubishi 4d56 user manual manualslib - Aug 05 2022

web related manuals for mitsubishi 4d56 engine mitsubishi 4d68 e w workshop manual 4 pages engine mitsubishi 4d68

workshop manual 68 pages engine mitsubishi 4d68 workshop manual 70 pages engine mitsubishi 4d68 workshop manual 79 pages engine mitsubishi 4d65 workshop manual 4 pages 4d6 series

[mitsubishi astron engine wikipedia](#) - Sep 18 2023

web it was designed as a cartridge containing the valve spring and seat which simply screwed into a threaded hole in the head similar to a spark plug but inside the cam cover

[mitsubishi 4d56 user manual pdf download manualslib](#) - Jun 15 2023

web view and download mitsubishi 4d56 user manual online 4d56 engine pdf manual download sign in upload download add to my manuals delete from my manuals share engine mitsubishi 4d65 series workshop manual 62 pages engine mitsubishi 4dq3 service manual 61 pages engine mitsubishi 4dq50 service manual

[mitsubishi 4d56 engine problems specifications oil](#) - Jul 16 2023

web 4d56 the 4d56 is a notable diesel engine produced by mitsubishi which gained popularity in the 1980s and onwards basic specifications cylinder block the 4d56 engine featured a cast iron cylinder block with four cylinders arranged in an in line configuration

[mitsubishi 4d56 free pdf manuals download manualslib](#) - Jul 04 2022

web general major data and specifications tightening torque brand mitsubishi heavy industries category engine size 4 78 mb mitsubishi 4d 65 series workshop manual 62 pages engine sectional view specifications drive belt and timing belt removal and installation brand mitsubishi category engine size 2 27 mb

[mitsubishi 2 5 di d 4d56 hp fai auto](#) - Feb 11 2023

web the 4d56 hp was the last iteration of this engine sold in europe it features a common rail 16 valve twin cam design developing up to 178bhp this engine is also built by hyundai in south korea meaning it also sees use in some products made by their kia subsidiary displacement 2 5 l 2 476 cc bore 91 1 mm stroke 95 0 mm

[mitsubishi 4d56 16v fai auto](#) - Dec 09 2022

web the 4d56 belongs to the astron family of engines that first featured in the 1980 mitsubishi galant the long used engine has gone through various modifications and upgrades and has found a massive following and support base in suv light commercial vehicle owners the 4d56 16 valve is the last iteration of this engine sold in europe

[mitsubishi mmc 4d56 engine specs bolt torques manuals](#) - Apr 13 2023

web step 2 90 to 94 degrees mitsubishi mmc 4d56 engine main bearing bolt torque 58 lb ft 78 nm mitsubishi mmc 4d56 engine cylinder head bolt torque with throttle body step 1 tighten bolts 22 lb ft 29 nm step 2 turn bolts 120 to 124 degrees [the mitsubishi 4d56 diesel engine the history of the much facebook](#) - Feb 28 2022

web however in the mid 90 s mitsubishi introduced a much powerful 4m4 engine which it fixed to its pajero s montero s etc

though continuing to still fix the 4d56 to its ute s citing reliability mitsubishi 4d56 engine displacement 2 5 l 2 476 cc bore 91 1 mm stroke 95 0 mm fuel type diesel non turbo power 55 kw 74 hp at 4 200 rpm

mitsubishi 4d56 diesel engine service manual 1994 - May 02 2022

web contents mitsubishi 4d56 diesel engine service manual 1994 pdf free online the history of the much famed power plant manufactured by mitsubishi can be traced back to 1972 with the introduction of the 4g5 as a collaboration between aston and mitsubishi however in 1980 the 4 cylinder belt driven overhead camp shaft diesel power plant was

mitsubishi engine 4d56 specification download only - Apr 01 2022

web mitsubishi engine 4d56 specification 2019 12 08 1 9 mitsubishi engine 4d56 specification introduction mitsubishi engine 4d56 specification pdf diesel engine specification manual featuring most major specifications of over 175 engines from the book contains full color photos diagrams torque specs and best practices

1998 mitsubishi delica 2 5 children car diesel turbo specs - Jun 03 2022

web sep 24 2023 with a curb weight of 5423 lbs 2460 kg the mitsubishi delica 2 5 children car diesel turbo has a 4 cylinder sohc engine a light oil engine 4d56 this engine 4d56 produces a maximum power of 106 4 ps 105 bhp 78 2 kw at 4200 rpm and a maximum torque of 240 2 nm 177 2 lb ft 24 5 kg m at 2000 rpm

mitsubishi engines specifications motor oil fuel consumption - Oct 07 2022

web the catalog contains engines for the following mitsubishi models 380 asx rvr space runner carisma chariot space wagon colt mirage debonair delica diamante dingo dion eclipse emeraude endeavor eterna fto fuso canter galant grandis gto kuda l200 triton lancer lancer evolution libero magna verada

engine technical data mitsubishi 4d56 hp di d enginedesk - Mar 12 2023

web technical data mitsubishi 4d56 hp di d enginedesk contains rich data for parts and engines

mitsubishi 4d56 2 5 l i4 diesel non turbo engine youtube - Sep 06 2022

web mitsubishi 4d56 2 5 l 2 477 cc i4 diesel sohc 16v non turbonon turbo spec power 74 hp 55 kw at 4200 rpm torque 105 lb ft 142 n m at 2500 rpm engine t

mitsubishi 2 5 astron 4d56 hp engine automaniac - Nov 08 2022

web 10 000 eur home page specifications mitsubishi 2 5 astron 4d56 hp engine mitsubishi 2 5 astron 4d56 hp engine 4 cylinder turbo diesel unit 2 5 l4 16v

4d56 d4bh d4bf 2 5 engine specs problems reliability - Aug 17 2023

web the 4d56 engine is a four cylinder in line diesel engine that was installed on mitsubishi

the alchemist themes literary devices - Feb 28 2022

web copyright page the alchemist in literature from dante to the present oxford 2015 online edn oxford academic 22 oct 2015

[copyright page the alchemist in literature from dante to the](#) - Jan 30 2022

web dedication the alchemist in literature from dante to the present oxford 2015 online edn oxford academic 22 oct 2015

the alchemist study guide sparknotes - Apr 01 2022

web a theme is an overarching idea that runs through a literary text in one or some parts it makes up the major point the author wants to convey to the readers themes in the

the alchemist by paulo coelho plot summary litcharts - Jun 03 2022

web we allow the alchemist in literature from dante to the pres and numerous ebook collections from fictions to scientific research in any way along with them is this the

the alchemist in literature from dante to the present - Dec 09 2022

web oct 15 2015 unlike most other studies of alchemy and literature which focus on alchemical imagery in poetry of specific periods or writers this book traces the figure of

the alchemist by ben jonson summary themes and analysis - Sep 25 2021

the alchemist in literature from dante to the present - Feb 11 2023

web from dante to ben jonson during the centuries when the belief in exoteric alchemy was still strong and exploited by many charlatans to deceive the gullible writers in major

the alchemist in literature from dante to the present - Nov 08 2022

web dec 1 2015 theodore ziolkowski 0 00 0 ratings0 reviews unlike most other studies of alchemy and literature which focus on alchemical imagery in poetry of specific periods

preface the alchemist in literature from dante to the present - Nov 27 2021

web list of figures the alchemist in literature from dante to the present oxford 2015 online edn oxford academic 22 oct 2015

the alchemist in literature from dante to the present - Aug 17 2023

web oct 1 2015 this book traces the figure of the alchemist in western literature from its first appearance in dante down to the present from the beginning alchemy has had two aspects exoteric or operative the transmutation of baser metals into gold and esoteric

[dedication the alchemist in literature from dante to the](#) - Dec 29 2021

web preface the alchemist in literature from dante to the present oxford 2015 online edn oxford academic 22 oct 2015

the alchemist in literature from dante to the present - Mar 12 2023

web oct 15 2015 unlike most other studies of alchemy and literature which focus on alchemical imagery in poetry of specific periods or writers this book traces the figure of

the alchemist in literature from dante to the pres stanton marlan - May 02 2022

web the alchemist is a novel by paulo coelho that was first published in 1988 the novel is rich with allusions to biblical parables multiple systems of faith and elements of myth that

mid century adaptations or albedo the alchemist in literature - Sep 06 2022

web unlike most other studies of alchemy and literature which focus on alchemical imagery in poetry of specific periods or writers this book traces the figure of the alchemist in

the alchemist in literature from dante to the present theodore - Jan 10 2023

web unlike most other studies of alchemy and literature which focus on alchemical imagery in poetry of specific periods or writers this book traces the figure of the alchemist in

list of figures the alchemist in literature from dante to the - Oct 27 2021

web the comedy the alchemist is written by a playwright ben jonson this play was first staged in 1610 in king s men theater the play alchemist is generally considered as one

the alchemist in literature from dante to the present - Jul 16 2023

web mar 20 2019 the alchemist in literature from dante to the present by theodore ziolkowski pp 237 x illus index oxford university press oxford 2015 74 00

the alchemist in literature from dante to the present - May 14 2023

web unlike most other studies of alchemy and literature which focus on alchemical imagery in poetry of specific periods or writers this book traces the figure of the alchemist in

the alchemist in literature from dante to the present google - Apr 13 2023

web the alchemist in literature from dante to the present ebook written by theodore ziolkowski read this book using google play books app on your pc android ios

the alchemist in literature from dante to the present google - Jun 15 2023

web unlike most other studies of alchemy and literature which focus on alchemical imagery in poetry of specific periods or writers this book traces the figure of the alchemist in

the alchemist study guide literature guide litcharts - Jul 04 2022

web the alchemist summary in the prologue the alchemist reads a story about narcissus a youth so fascinated by his own beautiful reflection that he falls into a lake and drowns in

the alchemist in literature from dante to the present goodreads - Oct 07 2022

web the alchemist in literature from dante to the present oxford 2015 online edn oxford academic 22 oct 2015 doi org 10 1093/acprof/oso/9780198746836/003/0004

[alchemist in literature from dante to the present](#) - Aug 05 2022

web the basic story line of the alchemist is not of coelho s invention and has its roots in much older literature a parable of two dreamers who both dream of the other s treasure

[l herbier fantastique relié illustré 24 septembre 2020 amazon fr](#) - Aug 14 2023

web grâce au travail acharné des auteurs lionel hignard et camille renversade le monde entier va découvrir l herbier fantastique dans le journal l aurore daté du 25 juillet

[l herbier fantastique lionel hignard camille renversade](#) - Feb 08 2023

web dec 8 2020 recherche sur la botanique étrange et néanmoins véritable l herbier fantastique par monsieur irénée cornélius aux éditions plume de carotte présentation

[l herbier fantastique recherches sur la botanique étrange et](#) - Jan 07 2023

web 1 livres 0 critiques biographie informations nationalité france biographie botaniste docteur en sciences au muséum d histoires naturelles irénée cornélius est un

[l herbier fantastique livre relié 24 septembre 2020](#) - Dec 06 2022

web lionel hignard is the author of l herbier fantastique 3 00 avg rating 3 ratings 0 reviews published 2010 plantes sorcières 4 00 avg rating 2 rati

[l herbier fantastique coffret produits 28 octobre 2010 amazon fr](#) - Aug 22 2021

[l herbier fantastique plume de carotte](#) - Apr 29 2022

web select the department you want to search in

la nuit fantastique film 1941 allociné - Dec 26 2021

web 9 hours ago hold down ctrl shift alt win l and get ready for some linkedin action by tom warren a senior editor covering microsoft pc gaming console and tech

[waiting room powered by cultura](#) - Oct 24 2021

l herbier fantastique - Feb 25 2022

web the french herborist c est l expertise des plantes au service de votre bien être notre gamme de thés infusions médicinales et compléments associe efficacité et plantes

l herbier fantastique amazon in books - Jan 27 2022

web vous êtes actuellement en file d attente merci pour votre patience votre temps d attente est estimé à 2 minutes

[l herbier fantastique edition sous coffret coffret fnac](#) - Mar 09 2023

web dans le journal l aurore daté du 25 juillet 1914 nous apprenons la disparition d irénée dubois l employé du museum d histoire naturelle n a pas reparu depuis trois

irénée cornélius auteur de l herbier fantastique babelio - Oct 04 2022

web l herbier fantastique recherches sur la botanique étrange et néanmoins véritable par monsieur irénée cornélius hignard lionel on amazon com au free shipping on

l herbier fantastique relié lionel hignard camille - Jul 13 2023

web sep 24 2020 dans le journal l aurore daté du 25 juillet 1914 nous apprenons la disparition d irénée dubois l employé du museum d histoire naturelle n a pas reparu

l herbier fantastique relié lionel hignard camille - Apr 10 2023

web grâce au travail acharné des auteurs lionel hignard et camille renversade le monde entier va découvrir l herbier fantastique dans le journal l aurore daté du 25 juillet

l herbier fantastique éditions plume de carotte - Nov 05 2022

web l herbier fantastique dossier retrouvé par lionel hignard camille renversade recherches sur la botanique étrange et néanmoins véritable l herbier

meet marcel l herbier jonathan rosenbaum - May 31 2022

web 27 fac similés indépendants illustrés de coupures de presse correspondances annotations expériences scientifiques dessins et photos fruits des recherches de ce

l herbier fantastique hardcover september 24 2020 - May 11 2023

web l herbier fantastique lionel hignard camille renversade 9782366722260 livre uniteque com l herbier fantastique auteur lionel hignard camille

l herbier fantastique recherches sur la botanique étrange et - Jul 01 2022

web dans le journal l aurore daté du 25 juillet 1914 nous apprenons la disparition d irénée dubois l employé du museum d histoire naturelle n a pas reparu depuis trois

today i learned this weird windows keyboard shortcut that opens - Sep 22 2021

calaméo l herbier fantastique - Aug 02 2022

web ouvrez ce livre et plongez vous dans cet univers fantastique dans le journal l aurore daté du 25 juillet 1914 nous apprenons la disparition d irénée dubois l employé du

gibert com l herbier fantastique lionel hignard jardinage - Mar 29 2022

web mar 9 2022 synopsis toutes les nuits en rentrant de son travail denis étudiant le jour s endort et rêve d une mystérieuse

femme habillée en blanc omnibusé par cette image il

l herbier fantastique recherches sur la de lionel - Jun 12 2023

web oct 28 2010 edition sous coffret l herbier fantastique lionel hignard camille renversade plume de carotte eds des milliers de livres avec la livraison chez vous en

thés et infusions biologiques français the french herborist - Nov 24 2021

web des plantes carnivores aux haricots magiques des plantes qui donnent du lait aux plantes vampires de l arbre aux dragons aux arbres géants ouvrez cette boîte et plongez vous

lionel hignard author of l herbier fantastique goodreads - Sep 03 2022

web an admirer of debussy claudel proust and wilde who could be described as a sort of fin de siècle decadent l herbier started out as a poet playwright and drama and ballet