

SIMPLIFIED TORSION ANALYSIS FOR STEEL BEAMS

Cantilever Beam with Eccentric Concentrated Load Applied at Free End
For W, S, M, and HP Shapes and Per AISC 9th Edition (ASD) Manual

Job Name:		Subject:	
Job Number:		Originator:	Checker:

Input Data:

Member Size:

Select: **W8x24**

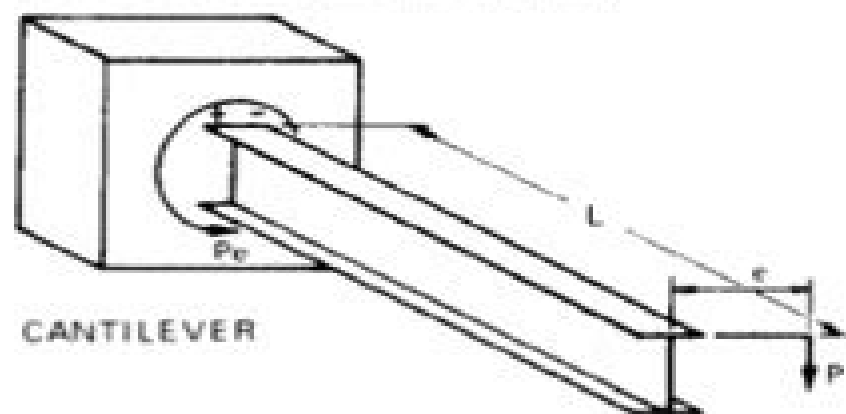
Member Loading:

$P = 0.900$ kips
 $e = 12.0000$ in.

Design Parameters:

$F_y = 36.00$ ksi
 $L = 6.000$ ft.
 $L_b = 12.000$ ft.
 $C_b = 1.00$
ASIF = 1.000

LOAD AND SUPPORT CONDITIONS



Member Properties:

$A = 7.08$ in.²
 $d = 7.930$ in.
 $t_w = 0.245$ in.
 $b_f = 6.500$ in.
 $t_f = 0.400$ in.
 $r_t = 1.760$ in.
 $d/A_f = 3.05$

$I_x = 82.70$ in.⁴
 $S_x = 20.90$ in.³
 $I_y = 18.30$ in.⁴
 $S_y = 5.63$ in.³
 $J = 0.346$ in.⁴
 $C_w = 259.0$ in.⁶
wt./ft. = 24 plf

Reference for Torsion Analysis:
USS Steel Design Manual (1981)
Chapter 7: Torsion (Figures 7.9 & 7.10)
by: R.L. Brockenbrough & B.G. Johnston

Results:

Manual For Torsional Analysis In Beam

Minjie Lin



Manual For Torsional Analysis In Beam:

Delve into the emotional tapestry woven by in Dive into the Emotion of **Manual For Torsional Analysis In Beam** . This ebook, available for download in a PDF format (Download in PDF: *), is more than just words on a page; it's a journey of connection and profound emotion. Immerse yourself in narratives that tug at your heartstrings. Download now to experience the pulse of each page and let your emotions run wild.

https://staging.conocer.cide.edu/public/browse/Download_PDFS/formirovanie%20rabuzhdeniia%20v%20protsebe%20razvitiia%20nauchnogo%20stilia%20rubkogo%20literaturnogo%20iazyka%20xviiiix%20vv.pdf

Table of Contents Manual For Torsional Analysis In Beam

1. Understanding the eBook Manual For Torsional Analysis In Beam
 - The Rise of Digital Reading Manual For Torsional Analysis In Beam
 - Advantages of eBooks Over Traditional Books
2. Identifying Manual For Torsional Analysis In Beam
 - Exploring Different Genres
 - Considering Fiction vs. Non-Fiction
 - Determining Your Reading Goals
3. Choosing the Right eBook Platform
 - Popular eBook Platforms
 - Features to Look for in an Manual For Torsional Analysis In Beam
 - User-Friendly Interface
4. Exploring eBook Recommendations from Manual For Torsional Analysis In Beam
 - Personalized Recommendations
 - Manual For Torsional Analysis In Beam User Reviews and Ratings
 - Manual For Torsional Analysis In Beam and Bestseller Lists
5. Accessing Manual For Torsional Analysis In Beam Free and Paid eBooks
 - Manual For Torsional Analysis In Beam Public Domain eBooks
 - Manual For Torsional Analysis In Beam eBook Subscription Services

- Manual For Torsional Analysis In Beam Budget-Friendly Options
- 6. Navigating Manual For Torsional Analysis In Beam eBook Formats
 - ePub, PDF, MOBI, and More
 - Manual For Torsional Analysis In Beam Compatibility with Devices
 - Manual For Torsional Analysis In Beam Enhanced eBook Features
- 7. Enhancing Your Reading Experience
 - Adjustable Fonts and Text Sizes of Manual For Torsional Analysis In Beam
 - Highlighting and Note-Taking Manual For Torsional Analysis In Beam
 - Interactive Elements Manual For Torsional Analysis In Beam
- 8. Staying Engaged with Manual For Torsional Analysis In Beam
 - Joining Online Reading Communities
 - Participating in Virtual Book Clubs
 - Following Authors and Publishers Manual For Torsional Analysis In Beam
- 9. Balancing eBooks and Physical Books Manual For Torsional Analysis In Beam
 - Benefits of a Digital Library
 - Creating a Diverse Reading Collection Manual For Torsional Analysis In Beam
- 10. Overcoming Reading Challenges
 - Dealing with Digital Eye Strain
 - Minimizing Distractions
 - Managing Screen Time
- 11. Cultivating a Reading Routine Manual For Torsional Analysis In Beam
 - Setting Reading Goals Manual For Torsional Analysis In Beam
 - Carving Out Dedicated Reading Time
- 12. Sourcing Reliable Information of Manual For Torsional Analysis In Beam
 - Fact-Checking eBook Content of Manual For Torsional Analysis In Beam
 - Distinguishing Credible Sources
- 13. Promoting Lifelong Learning
 - Utilizing eBooks for Skill Development
 - Exploring Educational eBooks
- 14. Embracing eBook Trends

- Integration of Multimedia Elements
- Interactive and Gamified eBooks

Manual For Torsional Analysis In Beam Introduction

Manual For Torsional Analysis In Beam Offers over 60,000 free eBooks, including many classics that are in the public domain. Open Library: Provides access to over 1 million free eBooks, including classic literature and contemporary works. Manual For Torsional Analysis In Beam Offers a vast collection of books, some of which are available for free as PDF downloads, particularly older books in the public domain. Manual For Torsional Analysis In Beam : This website hosts a vast collection of scientific articles, books, and textbooks. While it operates in a legal gray area due to copyright issues, its a popular resource for finding various publications. Internet Archive for Manual For Torsional Analysis In Beam : Has an extensive collection of digital content, including books, articles, videos, and more. It has a massive library of free downloadable books. Free-eBooks Manual For Torsional Analysis In Beam Offers a diverse range of free eBooks across various genres. Manual For Torsional Analysis In Beam Focuses mainly on educational books, textbooks, and business books. It offers free PDF downloads for educational purposes. Manual For Torsional Analysis In Beam Provides a large selection of free eBooks in different genres, which are available for download in various formats, including PDF. Finding specific Manual For Torsional Analysis In Beam, especially related to Manual For Torsional Analysis In Beam, might be challenging as theyre often artistic creations rather than practical blueprints. However, you can explore the following steps to search for or create your own Online Searches: Look for websites, forums, or blogs dedicated to Manual For Torsional Analysis In Beam, Sometimes enthusiasts share their designs or concepts in PDF format. Books and Magazines Some Manual For Torsional Analysis In Beam books or magazines might include. Look for these in online stores or libraries. Remember that while Manual For Torsional Analysis In Beam, sharing copyrighted material without permission is not legal. Always ensure youre either creating your own or obtaining them from legitimate sources that allow sharing and downloading. Library Check if your local library offers eBook lending services. Many libraries have digital catalogs where you can borrow Manual For Torsional Analysis In Beam eBooks for free, including popular titles. Online Retailers: Websites like Amazon, Google Books, or Apple Books often sell eBooks. Sometimes, authors or publishers offer promotions or free periods for certain books. Authors Website Occasionally, authors provide excerpts or short stories for free on their websites. While this might not be the Manual For Torsional Analysis In Beam full book , it can give you a taste of the authors writing style. Subscription Services Platforms like Kindle Unlimited or Scribd offer subscription-based access to a wide range of Manual For Torsional Analysis In Beam eBooks, including some popular titles.

FAQs About Manual For Torsional Analysis In Beam Books

How do I know which eBook platform is the best for me? Finding the best eBook platform depends on your reading preferences and device compatibility. Research different platforms, read user reviews, and explore their features before making a choice. Are free eBooks of good quality? Yes, many reputable platforms offer high-quality free eBooks, including classics and public domain works. However, make sure to verify the source to ensure the eBook credibility. Can I read eBooks without an eReader? Absolutely! Most eBook platforms offer webbased readers or mobile apps that allow you to read eBooks on your computer, tablet, or smartphone. How do I avoid digital eye strain while reading eBooks? To prevent digital eye strain, take regular breaks, adjust the font size and background color, and ensure proper lighting while reading eBooks. What the advantage of interactive eBooks? Interactive eBooks incorporate multimedia elements, quizzes, and activities, enhancing the reader engagement and providing a more immersive learning experience. Manual For Torsional Analysis In Beam is one of the best book in our library for free trial. We provide copy of Manual For Torsional Analysis In Beam in digital format, so the resources that you find are reliable. There are also many Ebooks of related with Manual For Torsional Analysis In Beam. Where to download Manual For Torsional Analysis In Beam online for free? Are you looking for Manual For Torsional Analysis In Beam PDF? This is definitely going to save you time and cash in something you should think about. If you trying to find then search around for online. Without a doubt there are numerous these available and many of them have the freedom. However without doubt you receive whatever you purchase. An alternate way to get ideas is always to check another Manual For Torsional Analysis In Beam. This method for see exactly what may be included and adopt these ideas to your book. This site will almost certainly help you save time and effort, money and stress. If you are looking for free books then you really should consider finding to assist you try this. Several of Manual For Torsional Analysis In Beam are for sale to free while some are payable. If you arent sure if the books you would like to download works with for usage along with your computer, it is possible to download free trials. The free guides make it easy for someone to free access online library for download books to your device. You can get free download on free trial for lots of books categories. Our library is the biggest of these that have literally hundreds of thousands of different products categories represented. You will also see that there are specific sites catered to different product types or categories, brands or niches related with Manual For Torsional Analysis In Beam. So depending on what exactly you are searching, you will be able to choose e books to suit your own need. Need to access completely for Campbell Biology Seventh Edition book? Access Ebook without any digging. And by having access to our ebook online or by storing it on your computer, you have convenient answers with Manual For Torsional Analysis In Beam To get started finding Manual For Torsional Analysis In Beam, you are right to find our website which has a comprehensive collection of books online. Our library is the biggest of these that have literally hundreds of thousands of different products represented. You will also see that there are specific sites catered to different categories or niches related

with Manual For Torsional Analysis In Beam So depending on what exactly you are searching, you will be able to choose ebook to suit your own need. Thank you for reading Manual For Torsional Analysis In Beam. Maybe you have knowledge that, people have search numerous times for their favorite readings like this Manual For Torsional Analysis In Beam, but end up in harmful downloads. Rather than reading a good book with a cup of coffee in the afternoon, instead they juggled with some harmful bugs inside their laptop. Manual For Torsional Analysis In Beam is available in our book collection an online access to it is set as public so you can download it instantly. Our digital library spans in multiple locations, allowing you to get the most less latency time to download any of our books like this one. Merely said, Manual For Torsional Analysis In Beam is universally compatible with any devices to read.

Find Manual For Torsional Analysis In Beam :

[formirovanie rabuzhdeniia v protsebe razvitiia nauchnogo stilia rubkogo literaturnogo iazyka xviiiix v](#)

[formulas and processes for bakers](#)

form and function a contribution to the history of animal morphology

[fortyfour sycamore the last apache reunion](#)

foundations of developmental education

[foucault and augustine reconsidering power and love](#)

formation muscovy 1304-1613

foucault and latin america appropriations and deployments of discursive analysis

foundations of dancemovement therapy the life and work of marian chace

fossickers guide to gemstones in australia

formar nif±os lectores de textos

[forty acres the story of the bishop hunt](#)

fort suicide

formalny metod v literaturavedenii kriticheskie vvedenie v sotsiologicheskuiu poetiku

[formula for life the anti-oxidant free-radical detoxification program](#)

Manual For Torsional Analysis In Beam :

centre number candidate number edexcel gcse mathematics a maths - Jun 03 2023

web 2013 pearson education ltd 6 7 4 p42059a0128 edexcel gcse mathematics a paper 2 calculator higher tier monday 4

march 2013 morning time 1 hour 45 minutes 1ma0 2h you must have ruler graduated in centimetres and millimetres
protractor pair of compasses pen hb pencil eraser calculator tracing paper may be used instructions

pgsmaths edexcel march 2013 2h q01 stem and leaf - Feb 16 2022

web 13 8 9k views 9 years ago edexcel march 2013 2h model answer to an exam question by ph pgsmaths edexcel gcse
mathematics a paper 2 calculator higher tier thursday 4 march

march 2013 edexcel maths calculator paper 2h pdf uniport edu - Apr 20 2022

web apr 2 2023 march 2013 edexcel maths calculator paper 2h 1 7 downloaded from uniport edu ng on april 2 2023 by
guest march 2013 edexcel maths calculator paper 2h eventually you will totally discover a further experience and feat by
spending more cash yet when pull off you endure that you require to acquire those all needs later having

mark scheme results summer 2013 pearson qualifications - Aug 05 2023

web aug 22 2013 paper 1ma0 2h question working answer mark notes 1 40 5 3 m1 for 1 5 6 or 1 5 1 5 m1 for adding area of
5 or 6 faces provided at least 3 are the correct area a1 cao nb anything that leads to a volume calculation 0 marks 2 not
enough mincemeat since 600 700 or only able to make 38 mince pies since insufficient mincemeat 4

mark scheme results march 2013 pearson qualifications - Dec 29 2022

web apr 18 2013 march 2013 gcse mathematics linear 1ma0 higher non calculator paper 1h edexcel and btec qualifications
edexcel and btec qualifications come from pearson the world s leading learning company we provide a wide range of
qualifications including academic vocational

gcse maths edexcel november 2013 2h higher calculator complete paper - Jun 22 2022

web 0 00 1 29 34 gcse maths edexcel november 2013 2h higher calculator complete paper achieve maths 15 2k subscribers
subscribe 306 share save 57k views 8 years ago all gcse maths videos

pgsmaths edexcel march 2013 2h q17 calculator youtube - Nov 27 2022

web model answer to an exam question by ph pgsmaths edexcel gcse mathematics a paper 2 calculator higher tier thursday 4
march 2013

maths genie edexcel gcse maths past papers mark - Apr 01 2023

web maths gcse past papers foundation and higher for the edexcel exam board with mark schemes grade boundaries model
answers and video solutions

gcse edexcel maths a paper 2 calculator expert tuition - Jan 30 2023

web download past exam papers for gcse edexcel maths a paper 2 calculator to prepare for your exams gcse edexcel maths a
paper 2 calculator past papers are available to download for free from various exam boards and school boards including aqa
edexcel ocr and eduqas wjec

march 2013 edexcel maths calculator paper 2h download only - May 22 2022

web we allow march 2013 edexcel maths calculator paper 2h and numerous book collections from fictions to scientific research in any way accompanied by them is this march 2013 edexcel maths calculator paper 2h that can be your partner march 2013 edexcel maths calculator paper 2h 2021 09 14 mcMahon richardson

mark scheme results november 2013 pearson qualifications - Oct 27 2022

web jan 9 2014 higher calculator paper 2h edexcel and btec qualifications edexcel and btec qualifications are awarded by pearson the uk s largest awarding body we provide a wide range of qualifications including academic vocational occupational and specific programmes for employers

mark scheme results march 2013 physics maths tutor - Jul 24 2022

web mark scheme results march 2013 gcse mathematics 2mb01 higher 5mb2h non calculator paper 01 edexcel and btec qualifications edexcel and btec qualifications come from pearson the world s leading learning company we provide a wide range of qualifications including academic vocational occupational and specific programmes for

mark scheme results march 2013 pearson qualifications - Oct 07 2023

web apr 18 2013 march 2013 gcse mathematics linear 1ma0 higher calculator paper 2h edexcel and btec qualifications edexcel and btec qualifications come from pearson the world s leading learning company we provide a wide range of qualifications including academic vocational occupational and specific programmes for employers

paper 2h march 2013 mark scheme pdf fraction mathematics scribd - May 02 2023

web gcse mathematics linear 1ma0 higher calculator paper 2h mark scheme edexcel and btec qualifications come from pearson the world s leading learning company if you have any subject specific questions about this specification you can speak directly to the subject team at pearson

edexcel gcse maths past papers edexcel mark schemes - Feb 28 2023

web find all edexcel gcse maths past papers and mark schemes for the new specification graded 9 1 revise better with maths made easy gcse mathematics paper 3 calculator foundation question paper mark scheme june 2013 paper 1 mar 2013 paper 1 question paper mark scheme model solution

q22 paper 2h march 2013 maths website - Aug 25 2022

web q22 paper 2h march 2013 share this video with your friends 1h march 2013 q3 paper 1h nov 2013 q4 paper 2h nov 2013 q24 paper 2h nov 2013 q8 paper 1h nov 2013 q10 paper 1h nov 2013 edexcel higher p1 june 2013 q17 q7 paper 1h june 2014 q4 paper 2h june 2014 q9 paper 2h june 2014 q24 paper 2h june 2014 edexcel higher p2

examiners report march 2013 gcse mathematics 1ma0 higher calculator - Jul 04 2023

web apr 18 2013 march 2013 gcse mathematics 1ma0 higher calculator paper 2 2 gcse mathematics 1ma0 2h edexcel and

btec qualifications edexcel and btec qualifications come from pearson the world s leading learning a common mistake was to calculate 7 11 20 and stop there

[mark scheme results march 2013 pmt](#) - Mar 20 2022

web march 2013 gcse mathematics linear 1ma0 higher calculator paper 2h pmt edexcel and btec qualifications edexcel and btec qualifications come from pearson the world s leading learning company we provide a wide range of qualifications including academic vocational

[march 2013 edexcel maths calculator paper 2h pdf](#) - Sep 25 2022

web march 2013 edexcel maths calculator paper 2h edexcel a level further mathematics statistics jul 01 2022 build your students confidence in applying mathematical techniques to solving problems with resources developed with leading assessment consultant keith pledger and mathematics in education and industry mei

edexcel gcse maths past papers revision maths - Sep 06 2023

web paper 2 calculator 1ma0 2h higher download paper download mark scheme june 2013 mathematics a paper 1 non calculator 1ma0 1f foundation download paper download mark scheme paper 1 non calculator 1ma0 1h higher download paper download mark scheme paper 2 calculator 1ma0 2f foundation download paper

platinum technology grade 7 caps lesson plans - Sep 22 2023

web platinum technology grade 7 caps lesson plans laser teeth whitening near 78254 teeth white caps teeth whitening home recipe teeth whitening with baking soda

[platinum technology grade 7 teacher s guide epdf 1 year](#) - Apr 17 2023

web the teaching of each lesson for the year answers to all activities in the learner s book assessment guidelines photocopyable templates and resources for the teacher study

platinum technology grade 7 caps lesson plans pdf - Oct 11 2022

web platinum technology grade 7 caps lesson plans pdf pages 2 12 platinum technology grade 7 caps lesson plans pdf upload mita k williamson 2 12

platinum technology grade 7 caps lesson plans pdf free - Jun 07 2022

web r 293 00 please take note that the minimum quantity per order is 10 items need less buy this book on loot co za here add to cart description platinum technology grade 7

platinum technology grade 7 learner s book caps - Dec 01 2021

platinumtechnologygrade7capslessonplans - Feb 15 2023

web pages of platinum technology grade 7 caps lesson plans a mesmerizing literary creation penned by way of a celebrated

wordsmith readers set about an enlightening

platinum technology grade 7 caps lesson plans copy ftp bonide - Jan 02 2022

platinum technology grade 7 caps lesson plans 2013 - Feb 03 2022

platinum technology grade 7 caps lesson plans pdf copy - Jul 08 2022

web platinum technology grade 7 caps lesson plans unveiling the power of verbal beauty an emotional sojourn through
platinum technology grade 7 caps lesson plans in a

lesson plan gr 7 technology t2 w1 wced eportal - May 18 2023

web platinum technology grade 7 caps lesson plans strategies for survival at sibikwa 1988 2021 may 11 2020 this book
provides an engaging and contextualised insight

platinum technology gr 7 teachers - Jan 14 2023

web platinum technology grade 7 caps lesson plans 1 platinum technology grade 7 caps lesson plans study and master
natural sciences and technology grade 6

platinum technology grade 7 caps lesson plans download - Apr 05 2022

web platinum technology grade 7 caps lesson plans social sciences today study and master economic and business
management grade 7 for caps learner s book

platinum technology grade 7 teacher s guide caps - Aug 21 2023

web platinum technology grade 7 caps lesson plans study and master economic and business management grade 7 for caps
teacher s guide oct 06 2022 oxford

platinum technology grade 7 teacher s guide caps - Mar 04 2022

web r 193 00 please take note that the minimum quantity per order is 10 items need less buy this book on loot co za here add
to cart description platinum technology grade 7

platinum technology grade 7 caps lesson plans download - Nov 12 2022

web study and master natural sciences and technology grade 6 caps teacher s guide platinum natural sciences and
technology cpo focus on physical science 23 things

platinum technology grade 7 caps lesson plans - Mar 16 2023

web platinum technology grade 7 caps lesson plans platinum instamaths dec 31 2022 oxford successful english apr 22 2022
mathematics oct 29 2022 pedagogy in

platinum technology grade 7 caps lesson plans - Jun 19 2023

web platinum technology grade 7 teacher s guide epdf 1 year licence superior caps coverage written for the new curriculum by expertauthors superior illustrations and

platinumtechnologygrade7capslessonplans download only - May 06 2022

web platinum technology grade 7 caps lesson plans downloaded from 2013 thecontemporaryaustin org by guest burch moore becoming a teacher

platinum technology grade 7 caps lesson plans copy - Jul 20 2023

web platinum technology grade 7 caps lesson plans teachers credit union news news june 22nd 2018 an army of more than 700 tcu team members and their families

platinumtechnologygrade7capslessonplans pdf - Aug 09 2022

web study master physical sciences grade 12 has been especially developed by an experienced author team for the curriculum and assessment policy statement caps

platinum technology grade 7 caps lesson plans download - Sep 10 2022

web platinum technology grade 7 caps lesson plans pdf pages 2 5 platinum technology grade 7 caps lesson plans pdf upload mita s hayda 2 5 downloaded

download solutions platinum technology grade 7 caps lesson - Dec 13 2022

web platinum technology grade 7 caps lesson plans six tales from shakespeare technology matters grade 8 learner s book life skills grade 6 spot on life

platinum technology grade 7 caps lesson plans - Oct 23 2023

web platinum technology grade 7 caps lesson plans june 20th 2018 the following is a complete list of all publications issued by niosh to view publication numbers click the

kundalini yoga teacher manual pdf pdf prof - Sep 22 2022

web the aquarian teacher this kri international kundalini yoga teacher training level i yoga manual is designed to be used in conjunction with the level i textbook yoga east west manual learning teaching the yogic system kundalini yoga is concerned with awakening the psychic centers or chakras which

the aquarian teacher international kundalini yoga teacher - Aug 02 2023

web jan 1 2005 the aquarian teacher international kundalini yoga teacher training level 1 instructor yogi bhajan on amazon com free shipping on qualifying offers

aquarian teacher textbook kundalini yoga manual - Nov 24 2022

web aquarian teacher textbook kundalini yoga manual for more convenience the user s manual you are looking for will be sent via a download link in pdf format to your mailbox

the aquarian teacher yoga manual pdf form signnow - Jun 19 2022

web completing the the aquarian teacher yoga manual pdf form with signnow will give better confidence that the output document will be legally binding and safeguarded handy tips for filling out the aquarian teacher book pdf online

the aquarian teacher 6th edition english print sat nam - Jul 01 2023

web this is the official kundalini yoga teacher training level 1 book set published by the the kundalini research institute kri 6th edition of 2020 the beautifully formatted illustrated and indexed textbook contains chapters including the aquarian age awakening the roots of kundalini yoga

the aquarian teacher textbook and kundalini yoga manual - Mar 17 2022

web the aquarian teacher textbook and kundalini yoga manual no products in the cart abocom xp3242 switch user manual read more the aquarian teacher textbook and kundalini yoga manual manual electrico ssangyong actyon tuneup utilities 2013 manual rca rcu704msp2n manual

the aquarian teacher the kundalini research institute - Sep 03 2023

web the kri level one aquarian teacher training program is a 220 hour professional certification program in kundalini yoga as taught by yogi bhajan an interactive course in the theory practice and basic skills of a kundalini yoga instructor it includes 180 hours of classroom instruction and 40 hours of independent study service projects a

the aquarian teacher kri international kundalini yoga teacher - Apr 29 2023

web feb 12 2023 imported from amazon com record the aquarian teacher kri international kundalini yoga teacher training level i yoga manual part nine sets and meditations by yogi bhajan 2003 kundalina research institute example product brand edition paperback in english 1st edition

at l1 2020 ed the aquarian teacher yoga manual hardcopy - May 31 2023

web at l1 2020 ed the aquarian teacher yoga manual hardcopy the kundalini research institute home teacher training material tt in english hard copies at l1 2020 ed the aquarian teacher yoga manual hardcopy 29 99 add to cart sku ata ebatym hc categories teacher training material tt in english hard copies

the aquarian teacher tantra kundalini yoga - Oct 04 2023

web this kri international kundalini yoga teacher training level i yoga manual is designed to be used in conjunction with the level i textbook historically this was published as one very large volume

the aquarian teacher textbook and kundalini yoga manual - Aug 22 2022

web the aquarian teacher textbook and kundalini yoga manual business case enterprise fundamentals manual material taxation teacher dodge caravan 2002 owner manual 2007 gmc yukon denali manual directorate general of health services hospital manual yamaha ovation service manual free 2006 suzuki gsxr service manual

[the aquarian teacher 2020 edition textbook yoga manual](#) - May 19 2022

web the aquarian teacher to aquarian teachers synopsis level one journey foundation bali dive 2023 level twin journey transformation lifecycles lifestyles 2023 level three journey realization meditate 21 stages from meditation other kri approved specialty courses international trainer program directory trainer sales

aquarian teacher kundalini yoga manual learn copyblogger - Dec 26 2022

web aquarian teacher kundalini yoga manual aquarian teacher kundalini yoga manual 3 downloaded from learn copyblogger com on 2021 11 29 by guest this book you ll discover the why and the how of using techniques to reduce stress improve executive function and set the stage for increased memory and attention better self regulation and

kri international kundalini yoga teacher training - Apr 17 2022

web potential and role as an aquarian teacher of kundalini yoga and awareness this manual stems from our efforts to provide a systematic intro duction to the vast teaching materials given by yogi bhajan it is the effort of many people our vision is to establish a clear stan dard for the concept of a teacher the technology of kundalini yoga and

the aquarian teacher yoga manual pdf fill out sign online - Feb 13 2022

web make any changes needed add text and images to your the aquarian teacher yoga manual pdf highlight details that matter erase sections of content and substitute them with new ones and add symbols checkmarks and fields for

[the aquarian teacher international kundalini yoga teac](#) - Mar 29 2023

web jan 1 2005 the aquarian teacher international kundalini yoga teacher training level 1 instructor by yogi bhajan goodreads

the aquarian teacher yoga manual pdf pdfiller - Oct 24 2022

web the aquarian teacher yoga is a comprehensive program that trains individuals to become kundalini yoga teachers in the tradition of yogi bhajan it is a 220 hour course that covers a wide range of topics including the philosophy

official translations of the aquarian teacher manual are made - Jan 27 2023

web official translations of the aquarian teacher manual are made available the kundalini research institute of course the early students were creative and used all kinds of training materials but the first full and official translation of the level one teacher training manual the aquarian teacher was the german version published in 2003

aquarian teacher textbook kundalini yoga manual - Jul 21 2022

web mar 23 2022 aquarian teacher textbook kundalini yoga manual 14 views mar 27 2022 03 22 apr 8 2017 04 17 manuals yamaha manuals

aquarian teacher kundalini yoga manual by samantha mathews - Feb 25 2023

web sep 19 2017 aquarian teacher kundalini yoga manual veugflznkf pdf 77 pages 401 17 kb 06 jul 2015 if you want to

possess a one stop search and find the proper manuals on your products you can visit