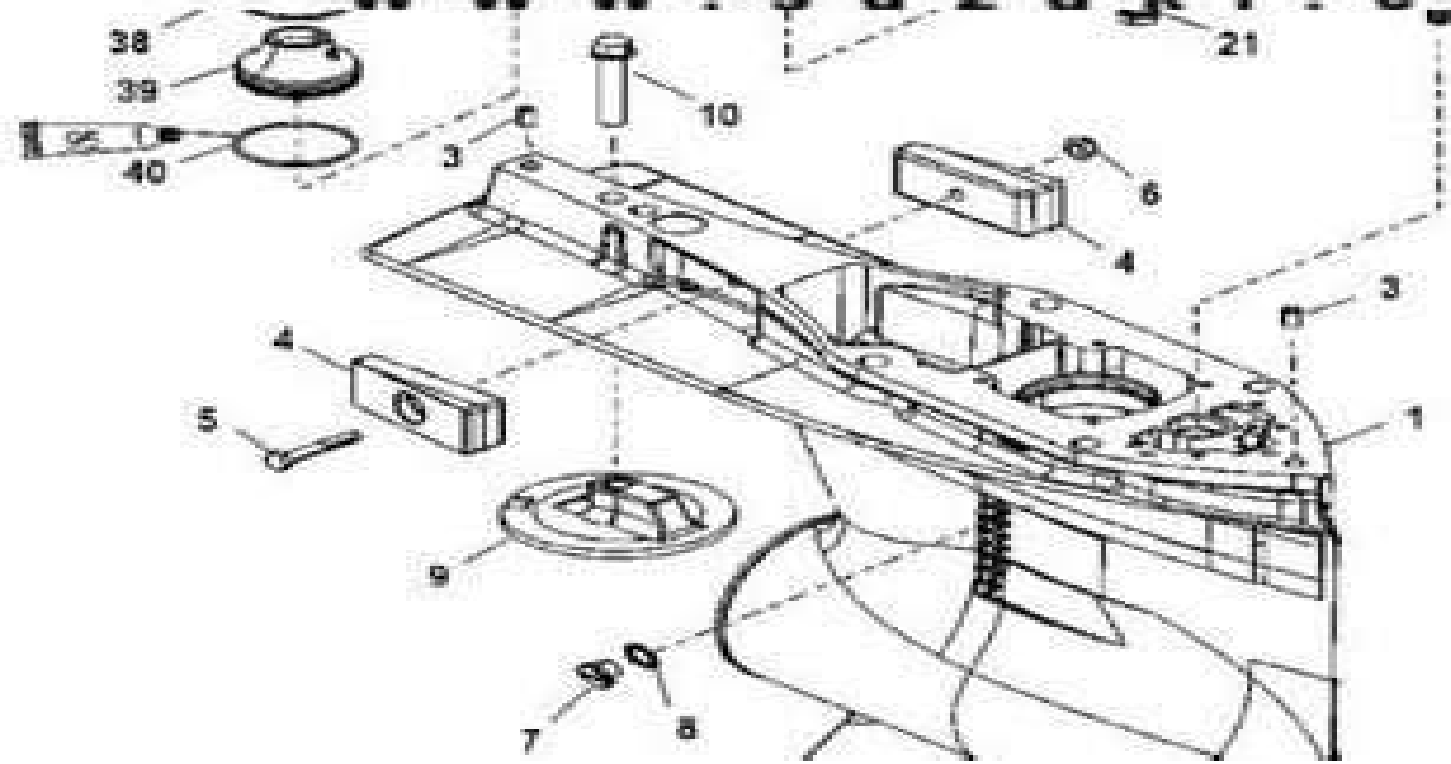


www.suzuki.com



# Manual For Suzuki Df25 Outboard

**J Ma**



## **Manual For Suzuki Df25 Outboard:**

Ignite the flame of optimism with its motivational masterpiece, Find Positivity in **Manual For Suzuki Df25 Outboard** . In a downloadable PDF format ( PDF Size: \*), this ebook is a beacon of encouragement. Download now and let the words propel you towards a brighter, more motivated tomorrow.

[https://staging.conocer.cide.edu/data/uploaded-files/HomePages/Love\\_To\\_The\\_Uttermost.pdf](https://staging.conocer.cide.edu/data/uploaded-files/HomePages/Love_To_The_Uttermost.pdf)

## **Table of Contents Manual For Suzuki Df25 Outboard**

1. Understanding the eBook Manual For Suzuki Df25 Outboard
  - The Rise of Digital Reading Manual For Suzuki Df25 Outboard
  - Advantages of eBooks Over Traditional Books
2. Identifying Manual For Suzuki Df25 Outboard
  - Exploring Different Genres
  - Considering Fiction vs. Non-Fiction
  - Determining Your Reading Goals
3. Choosing the Right eBook Platform
  - Popular eBook Platforms
  - Features to Look for in an Manual For Suzuki Df25 Outboard
  - User-Friendly Interface
4. Exploring eBook Recommendations from Manual For Suzuki Df25 Outboard
  - Personalized Recommendations
  - Manual For Suzuki Df25 Outboard User Reviews and Ratings
  - Manual For Suzuki Df25 Outboard and Bestseller Lists
5. Accessing Manual For Suzuki Df25 Outboard Free and Paid eBooks
  - Manual For Suzuki Df25 Outboard Public Domain eBooks
  - Manual For Suzuki Df25 Outboard eBook Subscription Services
  - Manual For Suzuki Df25 Outboard Budget-Friendly Options
6. Navigating Manual For Suzuki Df25 Outboard eBook Formats

- ePub, PDF, MOBI, and More
  - Manual For Suzuki Df25 Outboard Compatibility with Devices
  - Manual For Suzuki Df25 Outboard Enhanced eBook Features
7. Enhancing Your Reading Experience
    - Adjustable Fonts and Text Sizes of Manual For Suzuki Df25 Outboard
    - Highlighting and Note-Taking Manual For Suzuki Df25 Outboard
    - Interactive Elements Manual For Suzuki Df25 Outboard
  8. Staying Engaged with Manual For Suzuki Df25 Outboard
    - Joining Online Reading Communities
    - Participating in Virtual Book Clubs
    - Following Authors and Publishers Manual For Suzuki Df25 Outboard
  9. Balancing eBooks and Physical Books Manual For Suzuki Df25 Outboard
    - Benefits of a Digital Library
    - Creating a Diverse Reading Collection Manual For Suzuki Df25 Outboard
  10. Overcoming Reading Challenges
    - Dealing with Digital Eye Strain
    - Minimizing Distractions
    - Managing Screen Time
  11. Cultivating a Reading Routine Manual For Suzuki Df25 Outboard
    - Setting Reading Goals Manual For Suzuki Df25 Outboard
    - Carving Out Dedicated Reading Time
  12. Sourcing Reliable Information of Manual For Suzuki Df25 Outboard
    - Fact-Checking eBook Content of Manual For Suzuki Df25 Outboard
    - Distinguishing Credible Sources
  13. Promoting Lifelong Learning
    - Utilizing eBooks for Skill Development
    - Exploring Educational eBooks
  14. Embracing eBook Trends
    - Integration of Multimedia Elements
    - Interactive and Gamified eBooks

## Manual For Suzuki Df25 Outboard Introduction

Free PDF Books and Manuals for Download: Unlocking Knowledge at Your Fingertips In today's fast-paced digital age, obtaining valuable knowledge has become easier than ever. Thanks to the internet, a vast array of books and manuals are now available for free download in PDF format. Whether you are a student, professional, or simply an avid reader, this treasure trove of downloadable resources offers a wealth of information, conveniently accessible anytime, anywhere. The advent of online libraries and platforms dedicated to sharing knowledge has revolutionized the way we consume information. No longer confined to physical libraries or bookstores, readers can now access an extensive collection of digital books and manuals with just a few clicks. These resources, available in PDF, Microsoft Word, and PowerPoint formats, cater to a wide range of interests, including literature, technology, science, history, and much more. One notable platform where you can explore and download free Manual For Suzuki Df25 Outboard PDF books and manuals is the internet's largest free library. Hosted online, this catalog compiles a vast assortment of documents, making it a veritable goldmine of knowledge. With its easy-to-use website interface and customizable PDF generator, this platform offers a user-friendly experience, allowing individuals to effortlessly navigate and access the information they seek. The availability of free PDF books and manuals on this platform demonstrates its commitment to democratizing education and empowering individuals with the tools needed to succeed in their chosen fields. It allows anyone, regardless of their background or financial limitations, to expand their horizons and gain insights from experts in various disciplines. One of the most significant advantages of downloading PDF books and manuals lies in their portability. Unlike physical copies, digital books can be stored and carried on a single device, such as a tablet or smartphone, saving valuable space and weight. This convenience makes it possible for readers to have their entire library at their fingertips, whether they are commuting, traveling, or simply enjoying a lazy afternoon at home. Additionally, digital files are easily searchable, enabling readers to locate specific information within seconds. With a few keystrokes, users can search for keywords, topics, or phrases, making research and finding relevant information a breeze. This efficiency saves time and effort, streamlining the learning process and allowing individuals to focus on extracting the information they need. Furthermore, the availability of free PDF books and manuals fosters a culture of continuous learning. By removing financial barriers, more people can access educational resources and pursue lifelong learning, contributing to personal growth and professional development. This democratization of knowledge promotes intellectual curiosity and empowers individuals to become lifelong learners, promoting progress and innovation in various fields. It is worth noting that while accessing free Manual For Suzuki Df25 Outboard PDF books and manuals is convenient and cost-effective, it is vital to respect copyright laws and intellectual property rights. Platforms offering free downloads often operate within legal boundaries, ensuring that the materials they provide are either in the public domain or authorized for distribution. By adhering to copyright laws, users can enjoy the benefits of free access to knowledge while supporting the authors and

publishers who make these resources available. In conclusion, the availability of Manual For Suzuki Df25 Outboard free PDF books and manuals for download has revolutionized the way we access and consume knowledge. With just a few clicks, individuals can explore a vast collection of resources across different disciplines, all free of charge. This accessibility empowers individuals to become lifelong learners, contributing to personal growth, professional development, and the advancement of society as a whole. So why not unlock a world of knowledge today? Start exploring the vast sea of free PDF books and manuals waiting to be discovered right at your fingertips.

### FAQs About Manual For Suzuki Df25 Outboard Books

1. Where can I buy Manual For Suzuki Df25 Outboard books? Bookstores: Physical bookstores like Barnes & Noble, Waterstones, and independent local stores. Online Retailers: Amazon, Book Depository, and various online bookstores offer a wide range of books in physical and digital formats.
2. What are the different book formats available? Hardcover: Sturdy and durable, usually more expensive. Paperback: Cheaper, lighter, and more portable than hardcovers. E-books: Digital books available for e-readers like Kindle or software like Apple Books, Kindle, and Google Play Books.
3. How do I choose a Manual For Suzuki Df25 Outboard book to read? Genres: Consider the genre you enjoy (fiction, non-fiction, mystery, sci-fi, etc.). Recommendations: Ask friends, join book clubs, or explore online reviews and recommendations. Author: If you like a particular author, you might enjoy more of their work.
4. How do I take care of Manual For Suzuki Df25 Outboard books? Storage: Keep them away from direct sunlight and in a dry environment. Handling: Avoid folding pages, use bookmarks, and handle them with clean hands. Cleaning: Gently dust the covers and pages occasionally.
5. Can I borrow books without buying them? Public Libraries: Local libraries offer a wide range of books for borrowing. Book Swaps: Community book exchanges or online platforms where people exchange books.
6. How can I track my reading progress or manage my book collection? Book Tracking Apps: Goodreads, LibraryThing, and Book Catalogue are popular apps for tracking your reading progress and managing book collections. Spreadsheets: You can create your own spreadsheet to track books read, ratings, and other details.
7. What are Manual For Suzuki Df25 Outboard audiobooks, and where can I find them? Audiobooks: Audio recordings of books, perfect for listening while commuting or multitasking. Platforms: Audible, LibriVox, and Google Play Books offer a wide selection of audiobooks.

8. How do I support authors or the book industry? Buy Books: Purchase books from authors or independent bookstores. Reviews: Leave reviews on platforms like Goodreads or Amazon. Promotion: Share your favorite books on social media or recommend them to friends.
9. Are there book clubs or reading communities I can join? Local Clubs: Check for local book clubs in libraries or community centers. Online Communities: Platforms like Goodreads have virtual book clubs and discussion groups.
10. Can I read Manual For Suzuki Df25 Outboard books for free? Public Domain Books: Many classic books are available for free as they're in the public domain. Free E-books: Some websites offer free e-books legally, like Project Gutenberg or Open Library.

### **Find Manual For Suzuki Df25 Outboard :**

#### **love to the uttermost**

~~loving dr dan parma medical romance book english edition~~

#### **lora leigh breed series**

#### **lord of misrule morganville vampires**

~~lost in the city~~

#### **los futbolisimos 1 el misterio de los arbitros dormidos**

[louisa revealed the women of wintercrest book english edition](#)

~~loom bands guide~~

*lottery master guide by gail howard*

~~lote preparation manual~~

#### **lord ned agrave tout prix la duchesse des coeurs t**

[longman vocabulary 2 answer key](#)

#### **lost in the cosmos the last selfhelp book english edition**

~~love me dead~~

#### **louis maine itineacuteraire dun heacuteros**

### **Manual For Suzuki Df25 Outboard :**

Stock J.H., Watson M.W. Introduction to Econometrics (2ed. ... Question #2: Is There Racial Discrimination in the Market for Horne Loans? 5. Question #3: How Much Do Cigarette Taxes Reduce Smoking? 5. Introduction to Econometrics (3rd Edition)



Introduction to Econometrics (3rd Edition) [H STOCK JAMES & W. WATSON MARK] on Amazon.com. \*FREE\* shipping on qualifying offers. Introduction to Econometrics Sep 18, 2020 — Introduction to Econometrics, 4th edition. Published by Pearson ... Stock Harvard University; Mark W. Watson Princeton University. Best ... Introduction to Econometrics, Global Edition Stock/Watson. Introduction to Econometrics†. Studenmund. A Practical Guide to ... Introduction to Econometrics is designed for a first course in undergraduate. Student resources for Stock and Watson's Introduction ... Selected Students Resources for Stock and Watson's Introduction to Econometrics, 4th Edition (U.S.). Download answers to end-of-chapter Review the Concepts ... Introduction to Econometrics (4th Edition) | James Stock James Stock. Harold Hitchings Burbank ... Introduction to Econometrics (4th Edition). by. James H. Stock, Harvard University Mark W. Watson, Princeton University Introduction to Econometrics (Pearson Series in Economics) Introduction to Econometrics (Pearson Series... by Stock, James. ... Mark Watson. Author. Introduction to Econometrics (Pearson Series in Economics). 4th Edition. Introduction to Econometrics with R 'Introduction to Econometrics with R' is an interactive companion to the well-received textbook 'Introduction to Econometrics' by James H. Stock and Mark W. Introduction to Econometrics Third Edition James H. Stock ... by MW Watson — Introduction to Econometrics. Third Edition. James H. Stock. Mark W. Watson. The statistical analysis of economic (and related) data. Page 2. 1/2/3-2. Page 3. 1 ... Introduction to Econometrics | James Stock by J Stock · 2003 · Cited by 6214 — Stock J, Watson MW. Introduction to Econometrics. New York: Prentice Hall; 2003. Download Citation. CIPS Level 2 Certificate in Procurement and Supply Operations This is the ideal starting qualification for anyone new to the profession or anyone looking to aspire to move into a procurement and supply career. Based on the ... Supply Chain Procurement Certificate - ASCM ASCM's Procurement Certificate provides you with an overview of procurement fundamentals, sourcing strategies, supplier management and negotiations. 15 Procurement Certifications To Pursue (With Benefits) - Indeed Mar 10, 2023 — The Certified International Purchasing/Procurement Professional (CIPP) certification is available from the International Purchasing and Supply ... Procurement and Supply Operations (L2M2) - CIPS Get your CIPS Procurement Certificate in Procurement and Supply Operations. Boost your career prospects with a CIPS Qualification. 5 Best Procurement Certification Courses - Capterra Jan 16, 2020 — 1. Chartered Institute of Procurement and Supply Diploma (CIPS) · 2. Certified Professional in Supply Management (CPSM) from the Institute of ... CIPS Level 2 - CIPS Training CIPS Level 2 (Certificate in Procurement and Supply Operations) is the first of our three entry level qualifications. This level is perfect for those just ... Procurement Certificate - Supply Chain Management This 12 credit-hour certificate program is designed for those currently employed in or seeking employment in procurement positions in various industries. The ... CIPS Certificate in Procurement and Supply Operations (L2) CIPS qualifications are regulated internationally to ensure we offer a recognised, professional standard in procurement and supply. CPOS Certification [Certified Procurement Operations ... The CPOS (Certified Procurement Operations Specialist) Certification Program is Level 1 of the Certified Procurement Operations

Body of Knowledge (CPO-BOK) ... The top 12 supply chain management certifications - CIO Nov 11, 2022 — ASCM Certified Supply Chain Professional certification (CSCP) · ASCM Supply Chain Operations Reference (SCOR-P) Endorsement · Certified Six Sigma. 820008M Super Nova Airless Paint Sprayer - Graco Inc. The strain reliefs help protect the hose from kinks or bends at or close to the coupling which can result in hose rupture. TIGHTEN all fluid connections ... 820007M Electric NOVA Airless Paint Sprayer Liquids can be injected into the body by high pressure airless spray or leaks - especially hose leaks. Keep body clear of the nozzle. Supernova airless paint sprayer graco protected url .pdf Jun 28, 2018 — Technical Report Implementing TWI Thomas Register of American Manufacturers and. Thomas Register Catalog File House Painting Inside & Out ... Ultra 395 PC Electric Airless Sprayer, Stand - Graco Inc. The performance and versatility of the Ultra 395 PC has made it Graco's most popular sprayer. SmartControl 1.0 pressure control delivers a consistent spray fan ... Graco TC Pro Airless Handheld Paint Sprayer - YouTube Preparing to Spray with Your Graco Sprayer - YouTube My First Time Using The Graco Airless Paint Sprayer Outside ... How to set up an airless sprayer - Graco GXff - YouTube Graco NOVA 390 PC Electric Airless Sprayer The 390 PC Hi-Boy is a solid workhorse built for the professional just “starting out.” Durable and portable, it's easy to move on and off the jobsite. Graco 390 PC Electric Airless Paint Sprayer, Stand - 824505 Volume 141 Catalog Page: 859 · Catalog Item · Ideal sprayer for residential jobs · Lightweight and portable at only 30 Lbs · Rugged steel Frame withstands rugged ...