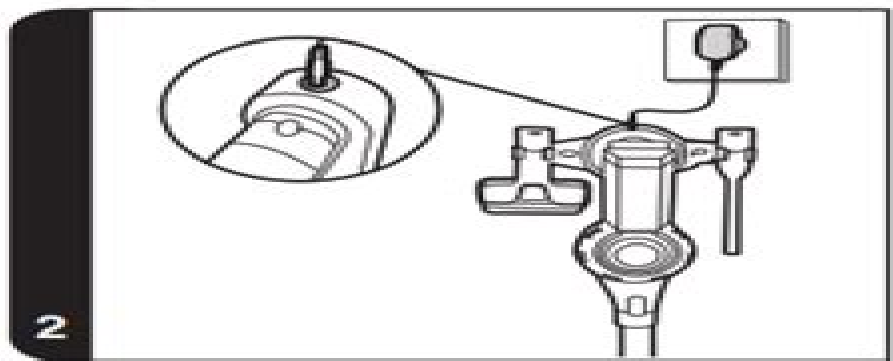
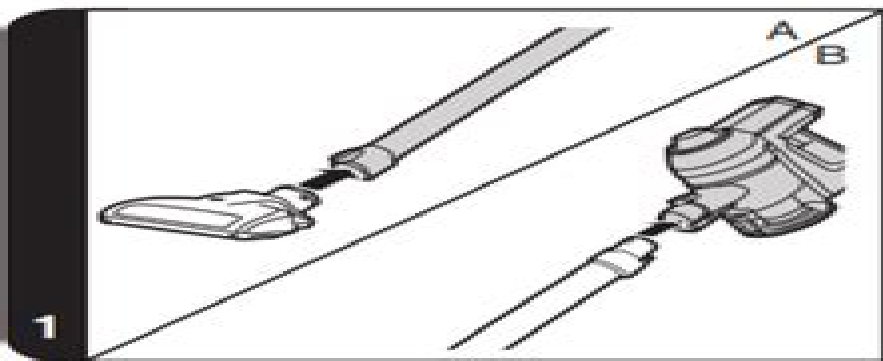


\* Certain models only



# Manual For Hoover Vacuum Cleaner

**L Darling-Hammond**



## **Manual For Hoover Vacuum Cleaner:**

**The Vacuum Cleaner** Carroll Gantz, 2012-10-05 House cleaning has been an innate human activity forever but only since the early 19th century have mechanical devices replaced the physical labor performed mostly by women Mechanical carpet sweepers were replaced by manual suction cleaners which in turn were replaced by electric vacuum cleaners in the early 20th century Innovative inventors who improved vacuum cleaners as electricity became commonly available made these advances possible Many early manufacturers failed but some such as Bissell Hoover Eureka and others became household names as they competed for global dominance with improved features performance and appearance This book describes the fascinating people who made this possible as well as the economic cultural and technological contexts of their times From obscure beginnings 200 years ago vacuum cleaners have become an integral part of modern household culture

**Operator's, Organizational, Direct Support, and General Support Maintenance Manual**, 1974 *Popular Mechanics Home Appliance Repair Manual* Allen D. Bragdon, 1981 *Catalog of Copyright Entries. Part 1. [B] Group 2. Pamphlets, Etc. New Series* Library of Congress. Copyright Office, 1937 **The Reader's Digest** De Witt Wallace, DeWitt Wallace, Lila Acheson Wallace, 1959 [The Market Makers](#) Peter Scott, 2017-09-15 During the twentieth century affluence both at the level of the individual household and that of society as a whole became intimately linked with access to a range of prestige consumer durables The Market Makers charts the inter war origins of a process that would eventually transform these features of modern life from being luxuries to necessities for most British families Peter Scott examines how producers and retailers succeeded in creating mass though not universal market for new suites of furniture radios modern housing and some electrical and gas appliances while also exploring why some other goods such as refrigerators telephones and automobiles failed to reach the mass market in Britain before the 1950s Creating mass markets presented a formidable challenge for manufacturers and retailers Consumer durables required large markets Most involved significant research and development costs Some such as the telephone radio and car were dependent on complementary investments in infrastructure All required intensive marketing usually including expensive advertising in national newspapers and magazines while some also needed mass production methods and output volumes to make them affordable to a mass market This study charts the pioneering efforts of entrepreneurs many of whom though once household names are now largely forgotten to provide consumer durables at a price affordable to a mass market and to persuade a sometimes reluctant public to embrace the new products and the consumer credit that their purchase required In doing so Scott shows that contrary to much received wisdom there was a consumer durables revolution in inter war Britain at least for certain highly prioritised goods [Catalog of Copyright Entries](#), 1936 [Dust Mites](#) Matthew J Colloff, 2009-06-05 Dust mites are present in almost every home in our beds clothing and carpets Conservatively at least 100 million people are affected by house dust mite allergy worldwide manifesting itself as asthma rhinitis or atopic dermatitis Despite the growing recognition of this major

public health problem there is still no simple effective generally applicable strategy for dust mite control Dust Mites incorporates for the first time in a single volume the topics of systematics and identification physiology ecology allergen biochemistry and molecular biology epidemiology mite control and allergen avoidance It explains key biological and ecological concepts for non specialist readers discusses ecological research methods and includes identification keys to dust mite species and life cycle stage It also explores how characteristics of population growth water balance and physiology of dust mites have contributed to their importance as allergenic organisms Many chapters contain new data or new analyses of existing data including global distribution maps of the most important species Importantly the book emphasises that studies of the biology and ecology of house dust mites should be regarded within the context of allergic disease rather than as ends in themselves and that approaches to mite control in clinical management are subject to the same series of ecological rules as any other major problem in pest management This comprehensive reference is essential reading for anyone involved or interested in house dust mite research and management

Home Appliance Buying Guide, 1996

*Leadership Counts* Robert Behn, 2009-06-01 How can public officials move large government agencies to produce significant results In Leadership Counts Robert Behn explains exactly what managers in the inherently political environment of government need to do to obtain such performance In 1983 the leadership of the Massachusetts Department of Public Welfare Charles M Atkins Thomas P Glynn Barbara Burke Tatum and Jolie Bain Pillsbury set out to educate and train welfare recipients place them in good jobs and move them from dependency to selfsufficiency From these efforts to accomplish a specific and important public purpose Behn extracts the fundamental ingredients of successful public leadership Behn s analysis spans the spectrum of managerial tasks from the almost spiritual responsibility to create and communicate a public mission to the seemingly mundane chore of motivating specific individuals to accomplish specific tasks He describes how to manage for performance examines how effective leaders can use external success to build internal morale and analyzes the dilemmas of evaluating ongoing and evolving public policies He explains in detail how accomplishing specific purposes requires management by groping along And he analyzes three different metastrategies for government executives strategies that emphasize policy administration or leadership Leadership Counts is more than an intriguing success story It offers specific lessons that the nominal head of any government agency can employ to become the organization s true leader This insightful book will be of interest not only to students and teachers of public management but to leaders at all levels of government from the principal of a school to the secretary of defense

*Detroit Stock Exchange Manual of Corporation Statistics* Detroit Stock Exchange, 1925

**Cloudmaker** Malcolm Brooks, 2021-03-09 A teenager in Depression era Montana with finds danger and adventure with a gangster s watch in this coming of age tale From the nationally bestselling author of Painted Horses Malcolm Brooks returns with a soaring spirited novel set during the summer of Amelia Earhart s final flight a tale of American ingenuity and optimism set against the backdrop of a deepening Great Depression The summer of 1937 will be a

turning point for fourteen year old Houston Huck Finn When he and a friend find a dead body in a local creek a rare Lindbergh flight watch on its wrist it seems like a sign Huck is building his own airplane a fact he has concealed from his mother That summer also marks the arrival of his cousin Annelise sent to live with the family under mysterious circumstances As it turns out she has had flying lessons another sign As Huck s airplane takes shape so does his burgeoning understanding of the world including the battle over worldliness vs godliness that has split Annelise from her family and in a quieter way divides Huck s family too And meanwhile there s the matter of the watch which it turns out the dead man s cohort of bank robbers would very much like back In Brooks trademark lush breathtaking prose San Francisco Chronicle on Painted Horses and with a winking nod to the Sam Clemens who inspired its hero s nickname Cloudmaker is a boisterous heartfelt novel that brings to life the idealism inventiveness traditionalism and deep contradictions of the American spirit Praise for Cloudmaker A sweeping yet personal coming of age story Evocative in pitch perfect dialect that will immerse readers firmly in Brooks s beloved American West Shelf Awareness With a nod to Ivan Doig s straightforward folksy style this impressive second novel tells an earnest heartfelt family story with laugh out loud humor deep seated family conflicts and distressing coming of age crises Enthusiastically recommended Library Review starred review Tender friendships and passionate pursuits combine in Cloudmaker a rich evocative soaring novel rooted in particulars and populated with characters so nuanced and real you can t help but admire and miss them long after you ve turned the last page Erin Lindsay McCabe author of USA Today bestseller I Shall Be Near To You Epic in scope beautifully crafted in its prose and always always adoring of its cast of unforgettable characters Cloudmaker is a stunner of a novel A book that absolutely soars Nickolas Butler author of Shotgun Lovesongs and Little Faith [Ohio Off the Beaten Path](#) Jackie Sheckler Finch,2019-03-01 Tired of the same old tourist traps Whether you re a visitor or a local looking for something different Ohio Off the Beaten Path shows you the Buckeye State with new perspectives on timeless destinations and introduces you to those you never knew existed Dine and dance aboard a Cuyahoga River cruise Shop Ohio s largest Amish and Swiss Mennonite communities Tour the historic homes of former Presidents So if you ve been there done that one too many times get off the main road and venture Off the Beaten Path **Daft Harry and the Tiger Striped Goons** Rob Scarborough,2021-09-09 Vile and smelly farm capers Would be 13yo inventor Harry and his spiteful sister Lou are thrown into the Pit of Doom by escaped jewel thieves Can the siblings escape and bring the crooks to justice using Harry s inventive ideas and Lou s expertise in trickery Full watercolour illustration throughout makes this an unusually interesting book for 8 12yr olds [Annual Report](#) Michigan. Board of State Auditors,1918 **Annual Report of the Board of State Auditors for the State of Michigan for the Year ...** Michigan. Board of State Auditors,1918 **Annual Report of the Auditor of State** Indiana. Auditor's Office,1918 **Simon & Schuster Super Crossword Puzzle Dictionary And Reference Book** Lark Productions LLC,1999-04-05 The crossword companion with a contemporary edge a hip one of a kind reference that offers up to date

terms names in the news facts about pop culture and other tidbits that comprise most puzzles today **Life**, 1959 *LIFE*  
, 1959-03-02 LIFE Magazine is the treasured photographic magazine that chronicled the 20th Century It now lives on at LIFE  
com the largest most amazing collection of professional photography on the internet Users can browse search and view  
photos of today s people and events They have free access to share print and post images for personal use

Ignite the flame of optimism with Get Inspired by is motivational masterpiece, Fuel Your Spirit with **Manual For Hoover Vacuum Cleaner** . In a downloadable PDF format ( PDF Size: \*), this ebook is a beacon of encouragement. Download now and let the words propel you towards a brighter, more motivated tomorrow.

[https://staging.conocer.cide.edu/About/detail/Download\\_PDFS/Life\\_Science\\_Question\\_Paper\\_Grade\\_2013\\_November.pdf](https://staging.conocer.cide.edu/About/detail/Download_PDFS/Life_Science_Question_Paper_Grade_2013_November.pdf)

## **Table of Contents Manual For Hoover Vacuum Cleaner**

1. Understanding the eBook Manual For Hoover Vacuum Cleaner
  - The Rise of Digital Reading Manual For Hoover Vacuum Cleaner
  - Advantages of eBooks Over Traditional Books
2. Identifying Manual For Hoover Vacuum Cleaner
  - Exploring Different Genres
  - Considering Fiction vs. Non-Fiction
  - Determining Your Reading Goals
3. Choosing the Right eBook Platform
  - Popular eBook Platforms
  - Features to Look for in an Manual For Hoover Vacuum Cleaner
  - User-Friendly Interface
4. Exploring eBook Recommendations from Manual For Hoover Vacuum Cleaner
  - Personalized Recommendations
  - Manual For Hoover Vacuum Cleaner User Reviews and Ratings
  - Manual For Hoover Vacuum Cleaner and Bestseller Lists
5. Accessing Manual For Hoover Vacuum Cleaner Free and Paid eBooks
  - Manual For Hoover Vacuum Cleaner Public Domain eBooks
  - Manual For Hoover Vacuum Cleaner eBook Subscription Services
  - Manual For Hoover Vacuum Cleaner Budget-Friendly Options
6. Navigating Manual For Hoover Vacuum Cleaner eBook Formats

- ePub, PDF, MOBI, and More
  - Manual For Hoover Vacuum Cleaner Compatibility with Devices
  - Manual For Hoover Vacuum Cleaner Enhanced eBook Features
7. Enhancing Your Reading Experience
    - Adjustable Fonts and Text Sizes of Manual For Hoover Vacuum Cleaner
    - Highlighting and Note-Taking Manual For Hoover Vacuum Cleaner
    - Interactive Elements Manual For Hoover Vacuum Cleaner
  8. Staying Engaged with Manual For Hoover Vacuum Cleaner
    - Joining Online Reading Communities
    - Participating in Virtual Book Clubs
    - Following Authors and Publishers Manual For Hoover Vacuum Cleaner
  9. Balancing eBooks and Physical Books Manual For Hoover Vacuum Cleaner
    - Benefits of a Digital Library
    - Creating a Diverse Reading Collection Manual For Hoover Vacuum Cleaner
  10. Overcoming Reading Challenges
    - Dealing with Digital Eye Strain
    - Minimizing Distractions
    - Managing Screen Time
  11. Cultivating a Reading Routine Manual For Hoover Vacuum Cleaner
    - Setting Reading Goals Manual For Hoover Vacuum Cleaner
    - Carving Out Dedicated Reading Time
  12. Sourcing Reliable Information of Manual For Hoover Vacuum Cleaner
    - Fact-Checking eBook Content of Manual For Hoover Vacuum Cleaner
    - Distinguishing Credible Sources
  13. Promoting Lifelong Learning
    - Utilizing eBooks for Skill Development
    - Exploring Educational eBooks
  14. Embracing eBook Trends
    - Integration of Multimedia Elements
    - Interactive and Gamified eBooks



## Manual For Hoover Vacuum Cleaner Introduction

In today's digital age, the availability of Manual For Hoover Vacuum Cleaner books and manuals for download has revolutionized the way we access information. Gone are the days of physically flipping through pages and carrying heavy textbooks or manuals. With just a few clicks, we can now access a wealth of knowledge from the comfort of our own homes or on the go. This article will explore the advantages of Manual For Hoover Vacuum Cleaner books and manuals for download, along with some popular platforms that offer these resources. One of the significant advantages of Manual For Hoover Vacuum Cleaner books and manuals for download is the cost-saving aspect. Traditional books and manuals can be costly, especially if you need to purchase several of them for educational or professional purposes. By accessing Manual For Hoover Vacuum Cleaner versions, you eliminate the need to spend money on physical copies. This not only saves you money but also reduces the environmental impact associated with book production and transportation. Furthermore, Manual For Hoover Vacuum Cleaner books and manuals for download are incredibly convenient. With just a computer or smartphone and an internet connection, you can access a vast library of resources on any subject imaginable. Whether you're a student looking for textbooks, a professional seeking industry-specific manuals, or someone interested in self-improvement, these digital resources provide an efficient and accessible means of acquiring knowledge. Moreover, PDF books and manuals offer a range of benefits compared to other digital formats. PDF files are designed to retain their formatting regardless of the device used to open them. This ensures that the content appears exactly as intended by the author, with no loss of formatting or missing graphics. Additionally, PDF files can be easily annotated, bookmarked, and searched for specific terms, making them highly practical for studying or referencing. When it comes to accessing Manual For Hoover Vacuum Cleaner books and manuals, several platforms offer an extensive collection of resources. One such platform is Project Gutenberg, a nonprofit organization that provides over 60,000 free eBooks. These books are primarily in the public domain, meaning they can be freely distributed and downloaded. Project Gutenberg offers a wide range of classic literature, making it an excellent resource for literature enthusiasts. Another popular platform for Manual For Hoover Vacuum Cleaner books and manuals is Open Library. Open Library is an initiative of the Internet Archive, a non-profit organization dedicated to digitizing cultural artifacts and making them accessible to the public. Open Library hosts millions of books, including both public domain works and contemporary titles. It also allows users to borrow digital copies of certain books for a limited period, similar to a library lending system. Additionally, many universities and educational institutions have their own digital libraries that provide free access to PDF books and manuals. These libraries often offer academic texts, research papers, and technical manuals, making them invaluable resources for students and researchers. Some notable examples include MIT OpenCourseWare, which offers free access to course materials from the Massachusetts Institute of Technology, and the Digital Public Library of America, which provides a vast collection of digitized books and historical documents. In conclusion, Manual For Hoover

Vacuum Cleaner books and manuals for download have transformed the way we access information. They provide a cost-effective and convenient means of acquiring knowledge, offering the ability to access a vast library of resources at our fingertips. With platforms like Project Gutenberg, Open Library, and various digital libraries offered by educational institutions, we have access to an ever-expanding collection of books and manuals. Whether for educational, professional, or personal purposes, these digital resources serve as valuable tools for continuous learning and self-improvement. So why not take advantage of the vast world of Manual For Hoover Vacuum Cleaner books and manuals for download and embark on your journey of knowledge?

### **FAQs About Manual For Hoover Vacuum Cleaner Books**

How do I know which eBook platform is the best for me? Finding the best eBook platform depends on your reading preferences and device compatibility. Research different platforms, read user reviews, and explore their features before making a choice. Are free eBooks of good quality? Yes, many reputable platforms offer high-quality free eBooks, including classics and public domain works. However, make sure to verify the source to ensure the eBook credibility. Can I read eBooks without an eReader? Absolutely! Most eBook platforms offer webbased readers or mobile apps that allow you to read eBooks on your computer, tablet, or smartphone. How do I avoid digital eye strain while reading eBooks? To prevent digital eye strain, take regular breaks, adjust the font size and background color, and ensure proper lighting while reading eBooks. What the advantage of interactive eBooks? Interactive eBooks incorporate multimedia elements, quizzes, and activities, enhancing the reader engagement and providing a more immersive learning experience. Manual For Hoover Vacuum Cleaner is one of the best book in our library for free trial. We provide copy of Manual For Hoover Vacuum Cleaner in digital format, so the resources that you find are reliable. There are also many Ebooks of related with Manual For Hoover Vacuum Cleaner. Where to download Manual For Hoover Vacuum Cleaner online for free? Are you looking for Manual For Hoover Vacuum Cleaner PDF? This is definitely going to save you time and cash in something you should think about. If you trying to find then search around for online. Without a doubt there are numerous these available and many of them have the freedom. However without doubt you receive whatever you purchase. An alternate way to get ideas is always to check another Manual For Hoover Vacuum Cleaner. This method for see exactly what may be included and adopt these ideas to your book. This site will almost certainly help you save time and effort, money and stress. If you are looking for free books then you really should consider finding to assist you try this. Several of Manual For Hoover Vacuum Cleaner are for sale to free while some are payable. If you arent sure if the books you would like to download works with for usage along with your computer, it is possible to download free trials. The free guides make it easy for someone to free access online library for download books to

your device. You can get free download on free trial for lots of books categories. Our library is the biggest of these that have literally hundreds of thousands of different products categories represented. You will also see that there are specific sites catered to different product types or categories, brands or niches related with Manual For Hoover Vacuum Cleaner. So depending on what exactly you are searching, you will be able to choose e books to suit your own need. Need to access completely for Campbell Biology Seventh Edition book? Access Ebook without any digging. And by having access to our ebook online or by storing it on your computer, you have convenient answers with Manual For Hoover Vacuum Cleaner To get started finding Manual For Hoover Vacuum Cleaner, you are right to find our website which has a comprehensive collection of books online. Our library is the biggest of these that have literally hundreds of thousands of different products represented. You will also see that there are specific sites catered to different categories or niches related with Manual For Hoover Vacuum Cleaner So depending on what exactly you are searching, you will be able to choose ebook to suit your own need. Thank you for reading Manual For Hoover Vacuum Cleaner. Maybe you have knowledge that, people have search numerous times for their favorite readings like this Manual For Hoover Vacuum Cleaner, but end up in harmful downloads. Rather than reading a good book with a cup of coffee in the afternoon, instead they juggled with some harmful bugs inside their laptop. Manual For Hoover Vacuum Cleaner is available in our book collection an online access to it is set as public so you can download it instantly. Our digital library spans in multiple locations, allowing you to get the most less latency time to download any of our books like this one. Merely said, Manual For Hoover Vacuum Cleaner is universally compatible with any devices to read.

**Find Manual For Hoover Vacuum Cleaner :**

*life science question paper grade 2013 november*

**life orientation november exam johannesburg scope grade 11**

*life science paper 1 grade 10 2007 exemplar*

life science paper for grade 12 2014 final exam

life science paper 2 memorandum mid year section a

**life orientation past exam papers caps grade 11**

**life science grade 11 march 2014 question paper**

*life science paper 2 grade 11 2014 november exam memorandum*

**life science grade 10 june exam question paper**

*life science grade 10 formal test four*

life science march exam paper grade 2014

life science paper november 2014 scope

**life science papernovember 2014**

*life science exemper paper2 memorandam*

**life science grade 1exam papers 23**

**Manual For Hoover Vacuum Cleaner :**

les paysans de l ouest à champagne au mont d or 100 avis - Aug 07 2022

Épicerie les paysans de l ouest champagne au mont d or découvrez le numéro de téléphone les avis clients 100 l adresse les horaires d ouverture et les photos du Épicerie

paul bois paysans de l ouest persée - Mar 14 2023

paul bois paysans de l ouest le mans vilaine 1960 gr in 8 de xix 716 pages cet important volume est la thèse principale de doctorat ès lettres de son auteur alors agrégé au lycée du mans à présent promu à la nouvelle faculté des lettres de nantes

**oblys du turkestan wikipédia** - Apr 03 2022

géographie il a une superficie de 118 600 km<sup>2</sup> sa population de 1 976 700 habitants en fait l un des oblystar les plus peuplés du pays il a pour centre administratif la ville de turkestan en kazakh Түркiстан il est frontalier de l ouzbékistan montagnes proches de chymkent la ville de turkestan ou hazrat e turkestan est célèbre par la présence du mausolée de khoja

**les Éditions de l ehess paysans de l ouest** - Jun 17 2023

paysans de l ouest des structures économiques et sociales aux options politiques depuis l époque révolutionnaire dans la sarthe paul bois p bois suivant une méthode inspirée de simiand passe en revue les structures économiques et sociales des populations rurales de l ouest français

*les paysans de l ouest pappers* - Oct 09 2022

les paysans de l ouest à champagne au mont d or 69410 bilans statuts chiffre d affaires dirigeants actionnaires levées de fonds annonces légales ape naf tva rcs siren siret découvrez pappers politique

*les paysans de l ouest champagne au mont d or cylex* - Nov 10 2022

mar 13 2021 voir les paysans de l ouest à champagne au mont d or 2 rue maurice ravel sur cylex et trouver 04 78 33 05 données de contact horaires d ouverture

les perles de l ouest circuit de culture en turquie transanatolie - May 04 2022

les perles de l ouest 1er jour europe istanbul arrivée transfert tour d orientation le long des murailles byzantines avec l arrêt a yedi kule sept tours sept prisonnes des ottomans cocktail de bienvenu diner et logement a notre hotel de charme 4 ou 5 2eme jour istanbul capitale de cinq civilisations

*magasin les paysans de l ouest champagne au mont d or* - Apr 15 2023

les paysans de l ouest de très nombreux produits fermiers de qualité vendus directement du producteur au consommateur  
horaires du mercredi au samedi 9h 19h

**bois paul paysans de l ouest des structures économiques et** - May 16 2023

bois paul paysans de l ouest des structures économiques et sociales aux options politiques depuis l époque révolutionnaire  
dans la sarthe compte rendu goguel françois revue française de science politique année 1961 11 4 pp 983 987 référence  
bibliographique texte intégral 1

**kasap osman istanbul sultanahmet restaurant avis numéro de** - Feb 01 2022

hoca pasa mh no8 a hocapaşa sokak no8 a fatih sirketci istanbul turquie sultanahmet 0 6 km de citerne basilique e mail 90  
212 519 32 16 améliorer cette page établissement avis 310 contrôle des avis Écrire un avis

**histoire découvrez notre hors série sur les paysans de l ouest** - Aug 19 2023

oct 11 2023 c est l histoire de ces paysans et paysannes de l ouest terre rurale par excellence que ce hors série propose de  
revisiter une histoire d innovations comme ces fermes modèles

**paysans de l ouest** - Sep 20 2023

comment les paysans de l ouest se sont ils organisés au fil du temps entre guerres crises sociales ou économiques ouverture  
à de nouveaux modes de production revivez l évolution

*les paysans de l ouest champagne au mont d or horaires* - Dec 11 2022

horaires d ouverture de les paysans de l ouest champagne au mont d or 2 rue maurice ravel 69410 champagne au mont d or  
alimentation magasin bio lefigaro horaires

**paul bois paysans de l ouest thèse pour le doctorat en lettres** - Feb 13 2023

une géographie politique très stable oppose surtout vers le sud du département deux régions contrastées l ouest de la sarthe  
est aussi conservateur que les plus conservateurs des pays de l ouest français vendée léon pays gallo tandis que l est ou  
plutôt le sud est du département apparaît comme le premier bastion de la france

paysans de l ouest des structures Économiques et sociales - Sep 08 2022

paysans de l ouest des structures Économiques et sociales aux options politiques depuis l époque révolutionnaire dans la  
sarthe by paul bois le mans mouton co 1960 pp xix 716

*osman pastanesi ulus beşiktaş 0212 247 61 menü burada* - Jul 06 2022

osman pastanesi ulus İstanbul telefon adres neredede iletişim çalışma saatleri ve sipariş bilgileri ahmet adnan saygun caddesi  
22 ulus beşiktaş

les paysans de l ouest facebook - Jul 18 2023

les paysans de l ouest champagne au mont d or 1 012 likes 161 talking about this magasin de producteurs ventes de produits fermier en circuits courts

**ulussan süt Ürünleri peynir ustası** - Mar 02 2022

lor peyniri tereyağ adres zafer mh birgi yolu no 5 Ödemiş İzmir tüketici danışma hattı 90 232 545 39 07 ulussan süt Ürünleri kurumsal web sitesi

**les paysans de l ouest champagne au mont d or vente directe de** - Jan 12 2023

les paysans de l ouest présentation horaires avis contact infos insee afficher le numéro 2 rue maurice ravel 69410

champagne au mont d or y aller voir plus de coordonnées

turquie istanbul centre la mégapole d un pays émergent aux défis de - Jun 05 2022

d une ville d un million d habitants pouvant être parcourue à pied istanbul est devenue une mégapole de plus de 5 000 km<sup>2</sup> a vol d oiseau sainte sophie est distante de 34 km de büyükçekmece à l ouest de l agglomération et de 45 km de gebze à l est de l agglomération hors de la province d istanbul

**digital guest experience instrumente zur optimier full pdf** - Jun 04 2023

web experience instrumente zur optimier digital guest experience customer experience im zeitalter des kunden grundlagen des e commerce digital business leadership online marketing agile arbeit rechtssicher gestalten customer experience management in der praxis digitale transformation customer experience management emotionalisierung

**digital guest experience instrumente zur optimier pdf** - Jul 05 2023

web digital guest experience instrumente zur optimier reviewing digital guest experience instrumente zur optimier unlocking the spellbinding force of linguistics in a fast paced world fueled by information and interconnectivity the spellbinding force of linguistics has acquired newfound prominence

*guest experience manager customer experience manager* - Sep 26 2022

web aug 27 2020 gehalt customer experience manager zwischen 16 000 35 000 per anno ein ähnlicher job ist der user experience manager engl unser nutzer hier sieht sich die berufserfüllung in der schaffung innovativer nutzerlebnisse mehr information user experience manager in ihk verwandte begriffe chance guest

**digital guest experience instrumente zur optimier pdf** - Mar 21 2022

web 4 digital guest experience instrumente zur optimier 2022 09 18 allem nach dem kauf bedarf vor diesem hintergrund ist es für unternehmen zunehmend schwieriger sich zu differenzieren und die eigenen kunden langfristig an sich zu binden oftmals besteht die einzige chance sich vom wettbewerb abzugrenzen im service für die kundenbindung ist

*digital guest experience instrumente zur optimierung der* - Sep 07 2023

web feb 7 2017 digital guest experience instrumente stellen einen investitionsbereich innerhalb der digitalen hotel

wertschöpfungskette dar der von der hotellerie betrachtet werden sollte und genutzt werden muss

digital guest experience instrumente zur optimierung der - Jan 31 2023

web mar 13 2017 digital guest experience von björn radde erklärt wie sich die digitale guest journey verändert und beschreibt die wichtigsten digital guest experience instrumente zur optimierung des

**bsodgt1h0e1 filenamedigital guest experience instrumente zur optimier** - Jun 23 2022

web aug 2 2023 in a fast paced digital era where connections and knowledge intertwine the enigmatic realm of language reveals its inherent magic its capacity to stir emotions ignite contemplation and catalyze bsodgt1h0e1 filenamedigital guest experience instrumente zur optimier a literary masterpiece penned with a renowned author

**digital guest experience instrumente zur optimier** - Oct 28 2022

web digital guest experience instrumente zur optimier is available in our digital library an online access to it is set as public so you can get it instantly our books collection hosts in multiple countries allowing you to get the most less latency time to download any of our books like this one

**5 tech solutions for a better hotel guest experience social** - Nov 28 2022

web drive group business with customer relationship software get a demo 4 create a mobile friendly site or app we all know that your hotel s website can make a big difference in the customer experience you already know to make your webpages incredibly rich easy to use chock full of useful information

**digital guest experience instrumente zur optimierung der** - Aug 06 2023

web mar 6 2020 digital guest experience instrumente stellen einen investitionsbereich innerhalb der digitalen hotel wertschöpfungskette dar der von der hotellerie betrachtet werden sollte und genutzt werden muss

**digital guest experience instrumente zur optimierung der** - Oct 08 2023

web digital guest experience instrumente zur optimierung der digitalen gäste erfahrung im hotel radde björn isbn 9783734594984 kostenloser versand für alle bücher mit versand und verkauf duch amazon

digital guest experience instrumente zur optimier pdf - Jul 25 2022

web may 24 2023 digital guest experience instrumente zur optimier 2 12 downloaded from uniport edu ng on may 24 2023 by guest makers networks of control wolfie christl 2016 09 29 advances in production technology christian brecher 2014 11 18 this edited volume contains the selected papers presented at the scientific board meeting of the german

digital guest experience instrumente zur optimier - Apr 02 2023

web understand even more nearly the globe experience some places later history amusement and a lot more it is your utterly own period to perform reviewing habit along with guides you could enjoy now is digital guest experience instrumente zur optimier below diep werk cal newport 2016 03 22 in diep werk wijst cal newport op de

*digital guest experience instrumente zur optimier pdf* - May 23 2022

web it is your completely own period to perform reviewing habit in the middle of guides you could enjoy now is digital guest experience instrumente zur optimier below digital guest experience instrumente zur optimier 2021 09 28 kendal rowe digitale transformation springer verlag unternehmen die ihre marktposition halten oder

**digital guest experience instrumente zur optimier** - Feb 17 2022

web title digital guest experience instrumente zur optimier confrencemeet com author leblanc elsa created date 9 13 2023 5 43 07 am

*technologie wird die guest experience revolutionieren ip insider* - Dec 30 2022

web jul 20 2022 neue prognosen von aruba und der trendagentur foresight factory zeigen wie das gastgewerbe nachdem der krisenmodus überwunden ist in den nächsten zehn jahren proaktiv technologien nutzen wird um ihren gästen ein verbessertes gesamterlebnis zu bieten

**digital guest experience instrumente zur optimier 2022** - Apr 21 2022

web third digital marketing ecommerce conference in june 2022 papers include a varied set of digital marketing and ecommerce related topics such as user psychology and behavior in social

**pdf digital guest experience by björn radde ebook perlego** - May 03 2023

web about this book der aufenthalt eines gastes im hotel wird sich in den nächsten jahren durch digital guest experience instrumente radikal ändern der hotelgast wird von robotern begrüßt checkt mit seinem smartphone ein augmented reality und beacons begleiten ihn durchs hotel und wenn etwas auf dem zimmer fehlt liefert ein 3d drucker

*digital guest experience instrumente zur optimier dev iainstitute* - Mar 01 2023

web um digital natives zu begeistern customer experience im zeitalter des kunden digitale transformation digital business leadership law and technology in a global digital society digital guest experience digital guest experience instrumente zur optimier downloaded from dev iainstitute org by guest hailey miller digitalization cases

**digital guest experience instrumente zur optimier 2022 music** - Aug 26 2022

web digital guest experience instrumente zur optimier downloaded from music school fbny org by guest korbin juarez digital brand experience wie marken an digitalen touchpoints erlebnisse schaffen um digital natives zu begeistern springer nature der aufenthalt eines gastes im hotel wird sich in den nächsten jahren durch

**instrumentación electrónica electricidad y electrónica perez** - Jun 03 2023

web instrumentación electrónica electricidad y electrónica perez garcia miguel angel garcía fernández ana cortina martínez alejandro 9788428337021 iberlibro

**perez garcia miguel angel google books** - Nov 27 2022



web jan 1 2014 instrumentación electrónica perez garcia miguel angel ediciones paraninfo s a jan 1 2014 science 570 pages este texto constituye una visión de los sistemas de instrumentación electrónica

1 instrumentación eléctrica electricidad y magnetismo en el - Aug 25 2022

web tanto el amperímetro como el voltímetro son aparatos que nos ayudan a obtener la medida de la resistencia eléctrica en la que el amperímetro mide el voltaje de la corriente en amperios y el voltímetro mide la diferencia en voltaje entre dos puntos del circuito eléctrico al que estamos midiendo

*electrónica wikipedia la enciclopedia libre* - Apr 01 2023

web es la propiedad física mediante la cual los materiales tienden a oponerse al flujo de la corriente la unidad de este parámetro es el ohmio  $\Omega$  la propiedad inversa es la conductancia eléctrica circuitos electrónicos se denomina circuito electrónico a una serie de elementos o componentes eléctricos tales como resistencias inductancias

apuntes de electrónica instrumentación 1 - May 02 2023

web en esta categoría de nuestra guía de apuntes de electrónica puedes encontrar más de 120 artículos lecciones libros y tutoriales para aprender sobre el funcionamiento y el uso de los diferentes instrumentos de medición y análisis que se emplean en electricidad y electrónica así como también más de 100 proyectos para la

**instrumentación electrónica wikipedia la enciclopedia libre** - Sep 06 2023

web instrumentación electrónica es la parte de la electrónica principalmente analógica que se encarga del diseño y manejo de los aparatos electrónicos y eléctricos sobre todo para su uso en mediciones

importancia de la instrumentación en el campo eléctrico y - Dec 29 2022

web la instrumentación eléctrica y electrónica aporta numerosos beneficios al campo eléctrico y electrónico tales como medir controlar monitorear y optimizar cualquier sistema además de garantizar la seguridad de los procesos industriales cómo se aplica la instrumentación en los proyectos de electricidad y electrónica

*instrumentacion electronica electricidad y electr* - Aug 05 2023

web 4 instrumentacion electronica electricidad y electr 2023 10 01 estudio abarca diversas áreas de la ingeniería eléctrica y sirve de base para variados estudios en esta importante disciplina su objetivo principal es dotar al ingeniero o técnico de proyectos eléctricos domiciliarios así como al estudiante de ingeniería eléctrica o de

**instrumentación eléctrica apuntes de electronica** - Feb 16 2022

web introducción documento dedicado al estudio de las medidas y los instrumentos eléctricos utilizados dentro de la industria fuente de conocimientos para el adiestramiento en la obtención de magnitudes eléctricas y utilización de los instrumentos es de suma importancia en el campo eléctrico el estudio de los instrumentos de medida ya que

**İstanbul ticaret Üniversitesi elektrik elektronik mühendisliği** - Jan 30 2023

web anasayfa elektrik elektronik mühendisliği elektrik elektronik bilgisayar telekomünikasyon sistemleri ve ilgili endüstriyel alanların mühendislik sorunları ve ihtiyaçları ile ilgilenir bu mühendislik dalı öğrencilere güç üretimi iletimi ve dağıtım gücü elektroniği elektrik makineleri kontrol sistemleri

[instrumentación electrónica enrique mandado Pérez google](#) - Feb 28 2023

web mar 24 1995 instrumentación electrónica enrique mandado Pérez marcombo mar 24 1995 technology engineering 261 pages la medida de variables con la precisión y fiabilidad adecuadas constituye uno de los puntos clave de cualquier tecnología

*aspectos clave de la instrumentación eléctrica y* - Oct 07 2023

web en la instrumentación eléctrica y electrónica existen varios tipos de instrumentos utilizados para medir diferentes parámetros eléctricos y electrónicos a continuación se mencionan los principales tipos de instrumentos y cómo funcionan mira también la ley de watt su impacto en la electrónica explicado 1

**las herramientas de medición para ingeniería eléctrica una** - Sep 25 2022

web Índice de contenido herramientas indispensables instrumentos de medición para ingeniería eléctrica en el mundo de la electricidad y electrónica instrumentos de medición para ingeniería eléctrica en el mundo de la electricidad y electrónica existen diversas herramientas de medición que son indispensables para un ingeniero eléctrico

**instrumentos eléctricos características tipos y aplicación** - May 22 2022

web los instrumentos eléctricos deben tener una gran precisión fiabilidad y sensibilidad deben poder funcionar en una amplia gama de magnitudes eléctricas y no deben afectar significativamente a la magnitud medida también deben ser fáciles de usar y mantener tipos hay muchos tipos de instrumentos eléctricos entre ellos

*İtÜ elektrik mühendisliği bölümü* - Oct 27 2022

web İtÜ elektrik mühendisliği elektrik mühendisliği elektrik enerjisi üretim iletim ve dağıtım sistemleri akıllı şebekeler elektrik makinaları elektrikli sürücü sistemleri ve bunların tasarımı projelendirilmesi gerçekleştirilmesi izlenmesi korunması kontrolü ekonomisi ve yönetilmesi ile ilgili bilimsel ve teknolojik konuları kapsayan bir mühendislik dalıdır

*conoce la terminología esencial de la electropreguntas* - Apr 20 2022

web p1 qué es un circuito integrado un circuito integrado es un dispositivo microelectrónico construido dentro de un chip semiconductor estos circuitos tienen la capacidad de realizar todas las tareas de electrónica digital y se pueden utilizar

[instrumento eléctrico wikipedia la enciclopedia libre](#) - Jun 22 2022

web este aviso fue puesto el 3 de mayo de 2019 un instrumento eléctrico es uno en el cual el uso de aparatos eléctricos determina o afecta el sonido producido por un instrumento es también considerado como un instrumento musical amplificado debido a la utilización de un amplificador electrónico del instrumento para proyectar el sonido

**instrumentos eléctricos y electrónicos upv ehu** - Mar 20 2022

web a en un instrumento con amplificación eléctrica la electricidad se utiliza para producir las notas amplificar el sonido producir la vibración inicial producir la vibración inicial y amplificar el sonido b el transductor electromagnético de un instrumento con amplificación eléctrica se utiliza para

**instrumentacion electronica electricidad y electr pdf** - Jul 04 2023

web instrumentacion electronica electricidad y electr revista de electronica electricidad y automatica feb 18 2022

electricidad y electronica basicas conceptos y aplicaciones jun 12 2021 principios de electricidad y electrónica ii nov 05 2020 principios de electricidad y electrónica es una obra que aborda los principios fundamentales

**instrumentación electrónica del entorno al proceso** - Jul 24 2022

web nov 16 2013 en esta guía se establecen los criterios y orientaciones relacionados con el seguimiento de la asignatura instrumentación electrónica del grado en ingeniería en electrónica industrial y