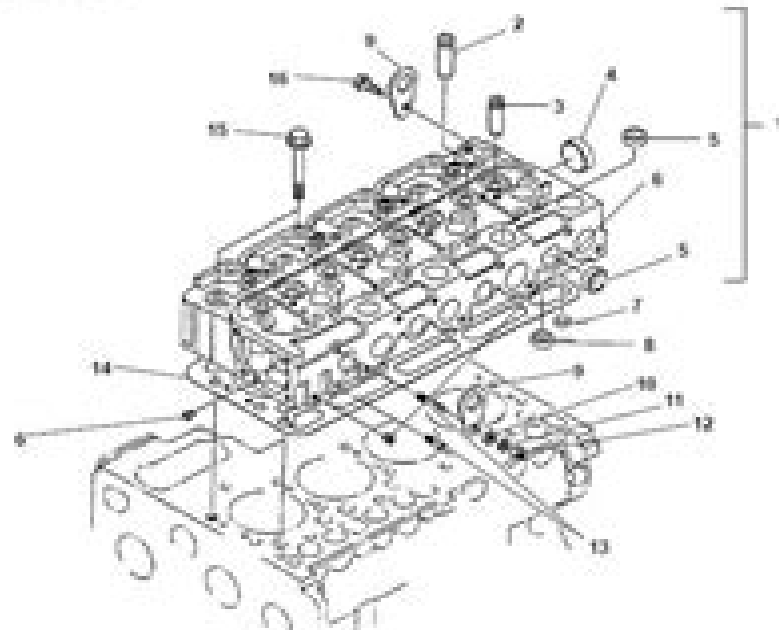


1. CYLINDER HEAD



Item	Part Number	Description	Qty
1	2C-30433-00	Cylinder Head - Includes:	1
2	2C-30050-00	Guide, Intake (Ream To Size)	4
3	2C-15307-00	Guide, Exhaust (Ream To Size)	4
4	2C-37107-00	Cap, Sealing	1
5	2C-37106-00	Cap, Sealing	12
6	2C-37108-00	Plug	2
7	2C-30907-00	Seat, Exhaust Valve	4
8	2C-30350-00	Seat, Intake Valve	4
9	2C-15020-00	Lifting Eye	2
10	2C-30031-00	Washer, Push Mill	1
11	2C-35607-00	Washer, Spring Mill	1
12	2C-30005-00	Nut, Hex Mill	1
13	2C-37110-00	Stud	2
14	2C-30434-00	Gasket, Cylinder Head (1.20MM Thick)	1
15	2C-30708-00	Bot, Cylinder Head	18
16	448030	Bolt	1

Kubota V2203 B For Gehl Skidloader Diesel Engine Parts Manual

Daniel F McAuley



Kubota V2203 B For Gehl Skidloader Diesel Engine Parts Manual:

Decoding **Kubota V2203 B For Gehl Skidloader Diesel Engine Parts Manual**: Revealing the Captivating Potential of Verbal Expression

In a time characterized by interconnectedness and an insatiable thirst for knowledge, the captivating potential of verbal expression has emerged as a formidable force. Its ability to evoke sentiments, stimulate introspection, and incite profound transformations is genuinely awe-inspiring. Within the pages of "**Kubota V2203 B For Gehl Skidloader Diesel Engine Parts Manual**," a mesmerizing literary creation penned by a celebrated wordsmith, readers embark on an enlightening odyssey, unraveling the intricate significance of language and its enduring impact on our lives. In this appraisal, we shall explore the book's central themes, evaluate its distinctive writing style, and gauge its pervasive influence on the hearts and minds of its readership.

https://staging.conocer.cide.edu/files/virtual-library/HomePages/energy_r_d.pdf

Table of Contents Kubota V2203 B For Gehl Skidloader Diesel Engine Parts Manual

1. Understanding the eBook Kubota V2203 B For Gehl Skidloader Diesel Engine Parts Manual
 - The Rise of Digital Reading Kubota V2203 B For Gehl Skidloader Diesel Engine Parts Manual
 - Advantages of eBooks Over Traditional Books
2. Identifying Kubota V2203 B For Gehl Skidloader Diesel Engine Parts Manual
 - Exploring Different Genres
 - Considering Fiction vs. Non-Fiction
 - Determining Your Reading Goals
3. Choosing the Right eBook Platform
 - Popular eBook Platforms
 - Features to Look for in a Kubota V2203 B For Gehl Skidloader Diesel Engine Parts Manual
 - User-Friendly Interface
4. Exploring eBook Recommendations from Kubota V2203 B For Gehl Skidloader Diesel Engine Parts Manual
 - Personalized Recommendations

- Kubota V2203 B For Gehl Skidloader Diesel Engine Parts Manual User Reviews and Ratings
- Kubota V2203 B For Gehl Skidloader Diesel Engine Parts Manual and Bestseller Lists
- 5. Accessing Kubota V2203 B For Gehl Skidloader Diesel Engine Parts Manual Free and Paid eBooks
 - Kubota V2203 B For Gehl Skidloader Diesel Engine Parts Manual Public Domain eBooks
 - Kubota V2203 B For Gehl Skidloader Diesel Engine Parts Manual eBook Subscription Services
 - Kubota V2203 B For Gehl Skidloader Diesel Engine Parts Manual Budget-Friendly Options
- 6. Navigating Kubota V2203 B For Gehl Skidloader Diesel Engine Parts Manual eBook Formats
 - ePub, PDF, MOBI, and More
 - Kubota V2203 B For Gehl Skidloader Diesel Engine Parts Manual Compatibility with Devices
 - Kubota V2203 B For Gehl Skidloader Diesel Engine Parts Manual Enhanced eBook Features
- 7. Enhancing Your Reading Experience
 - Adjustable Fonts and Text Sizes of Kubota V2203 B For Gehl Skidloader Diesel Engine Parts Manual
 - Highlighting and Note-Taking Kubota V2203 B For Gehl Skidloader Diesel Engine Parts Manual
 - Interactive Elements Kubota V2203 B For Gehl Skidloader Diesel Engine Parts Manual
- 8. Staying Engaged with Kubota V2203 B For Gehl Skidloader Diesel Engine Parts Manual
 - Joining Online Reading Communities
 - Participating in Virtual Book Clubs
 - Following Authors and Publishers Kubota V2203 B For Gehl Skidloader Diesel Engine Parts Manual
- 9. Balancing eBooks and Physical Books Kubota V2203 B For Gehl Skidloader Diesel Engine Parts Manual
 - Benefits of a Digital Library
 - Creating a Diverse Reading Collection Kubota V2203 B For Gehl Skidloader Diesel Engine Parts Manual
- 10. Overcoming Reading Challenges
 - Dealing with Digital Eye Strain
 - Minimizing Distractions
 - Managing Screen Time
- 11. Cultivating a Reading Routine Kubota V2203 B For Gehl Skidloader Diesel Engine Parts Manual
 - Setting Reading Goals Kubota V2203 B For Gehl Skidloader Diesel Engine Parts Manual
 - Carving Out Dedicated Reading Time
- 12. Sourcing Reliable Information of Kubota V2203 B For Gehl Skidloader Diesel Engine Parts Manual
 - Fact-Checking eBook Content of Kubota V2203 B For Gehl Skidloader Diesel Engine Parts Manual

- Distinguishing Credible Sources
- 13. Promoting Lifelong Learning
 - Utilizing eBooks for Skill Development
 - Exploring Educational eBooks
- 14. Embracing eBook Trends
 - Integration of Multimedia Elements
 - Interactive and Gamified eBooks

Kubota V2203 B For Gehl Skidloader Diesel Engine Parts Manual Introduction

Kubota V2203 B For Gehl Skidloader Diesel Engine Parts Manual Offers over 60,000 free eBooks, including many classics that are in the public domain. Open Library: Provides access to over 1 million free eBooks, including classic literature and contemporary works. Kubota V2203 B For Gehl Skidloader Diesel Engine Parts Manual Offers a vast collection of books, some of which are available for free as PDF downloads, particularly older books in the public domain. Kubota V2203 B For Gehl Skidloader Diesel Engine Parts Manual : This website hosts a vast collection of scientific articles, books, and textbooks. While it operates in a legal gray area due to copyright issues, its a popular resource for finding various publications. Internet Archive for Kubota V2203 B For Gehl Skidloader Diesel Engine Parts Manual : Has an extensive collection of digital content, including books, articles, videos, and more. It has a massive library of free downloadable books. Free-eBooks Kubota V2203 B For Gehl Skidloader Diesel Engine Parts Manual Offers a diverse range of free eBooks across various genres. Kubota V2203 B For Gehl Skidloader Diesel Engine Parts Manual Focuses mainly on educational books, textbooks, and business books. It offers free PDF downloads for educational purposes. Kubota V2203 B For Gehl Skidloader Diesel Engine Parts Manual Provides a large selection of free eBooks in different genres, which are available for download in various formats, including PDF. Finding specific Kubota V2203 B For Gehl Skidloader Diesel Engine Parts Manual, especially related to Kubota V2203 B For Gehl Skidloader Diesel Engine Parts Manual, might be challenging as theyre often artistic creations rather than practical blueprints. However, you can explore the following steps to search for or create your own Online Searches: Look for websites, forums, or blogs dedicated to Kubota V2203 B For Gehl Skidloader Diesel Engine Parts Manual, Sometimes enthusiasts share their designs or concepts in PDF format. Books and Magazines Some Kubota V2203 B For Gehl Skidloader Diesel Engine Parts Manual books or magazines might include. Look for these in online stores or libraries. Remember that while Kubota V2203 B For Gehl Skidloader Diesel Engine Parts Manual, sharing copyrighted material without permission is not legal. Always ensure youre either creating your own or obtaining them from legitimate sources that allow sharing and downloading. Library Check if your local library offers eBook lending services. Many libraries have digital catalogs where you

Kubota V2203 B For Gehl Skidloader Diesel Engine Parts Manual

can borrow Kubota V2203 B For Gehl Skidloader Diesel Engine Parts Manual eBooks for free, including popular titles. Online Retailers: Websites like Amazon, Google Books, or Apple Books often sell eBooks. Sometimes, authors or publishers offer promotions or free periods for certain books. Authors Website Occasionally, authors provide excerpts or short stories for free on their websites. While this might not be the Kubota V2203 B For Gehl Skidloader Diesel Engine Parts Manual full book, it can give you a taste of the authors writing style. Subscription Services Platforms like Kindle Unlimited or Scribd offer subscription-based access to a wide range of Kubota V2203 B For Gehl Skidloader Diesel Engine Parts Manual eBooks, including some popular titles.

FAQs About Kubota V2203 B For Gehl Skidloader Diesel Engine Parts Manual Books

What is a Kubota V2203 B For Gehl Skidloader Diesel Engine Parts Manual PDF? A PDF (Portable Document Format) is a file format developed by Adobe that preserves the layout and formatting of a document, regardless of the software, hardware, or operating system used to view or print it. **How do I create a Kubota V2203 B For Gehl Skidloader Diesel Engine Parts Manual PDF?** There are several ways to create a PDF: Use software like Adobe Acrobat, Microsoft Word, or Google Docs, which often have built-in PDF creation tools. Print to PDF: Many applications and operating systems have a "Print to PDF" option that allows you to save a document as a PDF file instead of printing it on paper. Online converters: There are various online tools that can convert different file types to PDF. **How do I edit a Kubota V2203 B For Gehl Skidloader Diesel Engine Parts Manual PDF?** Editing a PDF can be done with software like Adobe Acrobat, which allows direct editing of text, images, and other elements within the PDF. Some free tools, like PDFescape or Smallpdf, also offer basic editing capabilities. **How do I convert a Kubota V2203 B For Gehl Skidloader Diesel Engine Parts Manual PDF to another file format?** There are multiple ways to convert a PDF to another format: Use online converters like Smallpdf, Zamzar, or Adobe Acrobats export feature to convert PDFs to formats like Word, Excel, JPEG, etc. Software like Adobe Acrobat, Microsoft Word, or other PDF editors may have options to export or save PDFs in different formats. **How do I password-protect a Kubota V2203 B For Gehl Skidloader Diesel Engine Parts Manual PDF?** Most PDF editing software allows you to add password protection. In Adobe Acrobat, for instance, you can go to "File" -> "Properties" -> "Security" to set a password to restrict access or editing capabilities. Are there any free alternatives to Adobe Acrobat for working with PDFs? Yes, there are many free alternatives for working with PDFs, such as: LibreOffice: Offers PDF editing features. PDFsam: Allows splitting, merging, and editing PDFs. Foxit Reader: Provides basic PDF viewing and editing capabilities. How do I compress a PDF file? You can use online tools like Smallpdf, ILovePDF, or desktop software like Adobe Acrobat to compress PDF files without significant quality loss. Compression reduces the file size, making it easier to share

and download. Can I fill out forms in a PDF file? Yes, most PDF viewers/editors like Adobe Acrobat, Preview (on Mac), or various online tools allow you to fill out forms in PDF files by selecting text fields and entering information. Are there any restrictions when working with PDFs? Some PDFs might have restrictions set by their creator, such as password protection, editing restrictions, or print restrictions. Breaking these restrictions might require specific software or tools, which may or may not be legal depending on the circumstances and local laws.

Find Kubota V2203 B For Gehl Skidloader Diesel Engine Parts Manual :

[energy r d](#)

[engines of 1899](#)

energy boosters

[engineering with fibre polymer laminates](#)

energy price risk trading and price risk management

engineers dictionary spanish english eng 2nd edition

[energieversorgung und verringerung der c](#)

[enemy within actions that self-destruct companies and customer service](#)

[end of equality](#)

[energy resources and energy corporations](#)

[engine performance diagnosis](#)

[energy management for buildings handbook by](#)

[energie und entropie eine einfhrung in die thermodynamik die physik des naturwissenschaftlers](#)

[energy eating the vegetarian way](#)

engineering design and graphics for san francisco state university

Kubota V2203 B For Gehl Skidloader Diesel Engine Parts Manual :

[invitation définition de invitation centre national de - Dec 14 2022](#)

web petit imprimé ou lettre manuscrite par lequel on prie quelqu'un d'assister ou de prendre part à quelque chose adresser envoyer recevoir une carte d'invitation se présenter sur carte d'invitation des cartes d'invitation s'accumulent sur sa table blanche modèles 1928 p 94 2 retour à Paris le 12

[définitions invitation dictionnaire de français Larousse - Jun 20 2023](#)

web action d inciter quelqu un à faire quelque chose ce film est une invitation au voyage synonymes appel exhortation incitation invite prière sommation

créer une carte d invitation facile gratuit canva - Aug 22 2023

web grâce à nos centaines de modèles de cartes d invitation gratuites à personnaliser et imprimer créer un carton d invitation d anniversaire un faire part de mariage ou une jolie carte de naissance est un jeu d enfant

textes pour lettres d invitation 40 exemples gratuits - Jul 21 2023

web qu ils soient formels ou non nos modèles gratuits sauront vous aider à rédiger votre texte d invitation selon différents tons car nous avons des textes humoristiques décalés solennels traditionnels et pour différents types de destinataires des amis des contacts professionnels des collègues de travail des connaissances etc

créer une carte d invitation gratuitement en ligne adobe - Feb 16 2023

web le créateur d invitations en ligne gratuit d adobe express vous aide à créer une carte d invitation sans effort créez une carte d invitation adobe express assemble facilement des mots et des images créant ainsi de superbes invitations dans n importe quel format

carte d invitation gratuites personnalisée 6500 modèles canva - Sep 23 2023

web sélectionnez votre invitation à un baptême à une baby shower ou à un anniversaire d enfant parmi une vaste gamme de thèmes mignons comme tout et faits sur mesure pour votre petit trésor ou créez des invitations pour toutes les fêtes qui ponctuent l année

cartes d invitation personnalisées popcarte - Apr 18 2023

web cartes invitation à personnaliser avec vos photos personnelles votre vie est jalonnée d événements importants mariage naissance anniversaire pour en profiter pleinement vous n avez qu une seule envie les partager avec vos proches

invitation wikipédia - Jan 15 2023

web une invitation est le fait de proposer à quelqu un de se réunir en un même lieu pour participer à quelque chose par exemple je vous invite au restaurant ce soir

carte invitation modèles personnalisables uniques échantillon - May 19 2023

web découvrez nos cartes d invitation pour toutes les grandes occasions invitations anniversaire faire part mariage naissance baptême ou communion nos modèles de cartes s adaptent à toutes vos envies de création

[invitations des centaines de modèles à découvrir dromadaire](#) - Mar 17 2023

web voici quelques bons conseils pour réussir votre fête de la réalisation de vos invitations anniversaire à l organisation de la soirée ne laissez rien au hasard pour un anniversaire une fête invitez vos proches avec des invitations imprimées à partir de 0 99 ou des invitations virtuelles gratuites

life skills training autism independent living skills - Apr 04 2023

web at a glance teens and young adults need to be able to manage day to day tasks on their own before moving away from home learning how to shop and manage money is

13 independent skills that are important to have - Jul 07 2023

web independent living skills a checklist for young people in care this checklist will help you work out what you can do already and what you should probably learn more about

living skills dcj nsw gov au - Jan 01 2023

web fill online printable fillable blank independent living skills ils checklist form use fill to complete blank online others pdf forms for free once completed you can sign

independent living skills for young adults a - Jun 06 2023

web independent living skills checklist 2018 is a pdf document that provides a comprehensive list of skills and activities for students who are blind or visually impaired

home page mde lio - Feb 02 2023

web life skills are sometimes referred to as independent living skills or daily living skills basic life skills include self care activities cooking money management shopping

life skills for your child disability charity scope uk - Jun 25 2022

web personal hygiene bathing hair care shaving feminine hygiene using deodorant tooth brushing etc toileting skills clothing skills clothing identification attire selection

independent living skills mde lio - Mar 23 2022

web skills like cooking or saving for a goal your carer can also read the leading the way guide that includes tips on how to teach living skills but they are not expected to have all the

fillable independent living skills ils checklist - Aug 28 2022

web mar 31 2018 when many independent living skills required to make it through everyday life are second nature to many learn about some of the basic skills you will need

developmental screening checklist independent living skills - Jul 27 2022

web independent living skills ils are the tasks students need to manage their daily life such as housework hygiene and time management checklists these documents help you

independent living skills a checklist for young people in care - Mar 03 2023

web teach budgeting skills for flatting introduce students to the going flatting guide which focuses on how to manage expenses when living in a flat or hostel paying rent food

independent living assessment and skill building for a foundation - May 25 2022

web how we categorize the daily living skills every teen should know dls encompasses all the behaviors we engage in to be successful and independent in everyday life without

independent living skills checklist michigan doe - Dec 20 2021

empowering teens 25 life skills they need to know life skills - Jan 21 2022

independent living skills a checklist for young people in care - Aug 08 2023

web adult independent living skills to gradually learn at any age these are the essential skill areas an adult needs in order to live independently in each category we provide

peatc life skills checklist - Oct 10 2023

web adult planning checklist milestones autism planning tool adult planning checklist independent living skills for adults these are the essential skill areas an

adult independent living skills milestones - May 05 2023

web independent living skills checklist pdf 600 0 kb healthy eating launch and cooking basics launch money and budgeting skills launch public transport skills launch grocery

independent living skills inclusive education - Oct 30 2022

web when your child reaches 14 start to think about how they might live independently talk to them about their goals and plans for the future start teaching them basic life skills at

independent living skills a checklist for young people in care - Nov 18 2021

independent living skills and the ecc perkins school for the blind - Feb 19 2022

independent living skills for young adults a checklist of basic - Apr 23 2022

web this assessment consists of 15 checklists in which teachers parents guardians identify what independent living skills students can do with assistance to what they can

life skills and autism autism speaks - Sep 28 2022

web these resources will provide additional insight into building independent living skills levels of independent living information from perkins about the progression of

independent living skills for adults milestones - Sep 09 2023

web growing up but are you ready to be independent or to live alone or share a house this checklist will help you work out what you can do already and what you should probably

6 independent living skills kids need before moving away from home - Nov 30 2022

web developmental screening checklist independent living skills the following informal screening tool is a composite of many checklists that are commonly used in evaluating

felix von mann zu mann german edition by felix altmann - Jun 09 2023

web oct 31 2016 felix von mann zu mann felix altmann 2 67 3 ratings0 reviews felix wurde vor über 40 jahren als miriam geboren und erzählt in seiner autobiographie gefühlvoll und zugleich ehrlich von seinem langen weg in sein heutiges leben als mann 318 pages paperback published october 31 2016 book details editions about the author felix

9783741280153 felix von mann zu mann abebooks - Jan 04 2023

web felix von mann zu mann von altmann felix bei abebooks de isbn 10 3741280151 isbn 13 9783741280153 books on demand 2016 softcover

felix von mann zu mann paperback import 31 october 2016 - Jul 30 2022

web amazon in buy felix von mann zu mann book online at best prices in india on amazon in read felix von mann zu mann book reviews author details and more at amazon in free delivery on qualified orders

felix von mann zu mann altmann felix amazon de bücher - Sep 12 2023

web die biographie felix von mann zu mann von felix altmann hat einen umfang von 316 seiten und ist ein selfpublishing buch das buch gibt es in ebook und softcoverausgabe im ebookformat ist es übersichtlich felix wurde vor über 40 jahren als miriam geboren

felix von mann zu mann transmann e v - Aug 11 2023

web felix von mann zu mann felix wurde vor über 40 jahren als miriam geboren und erzählt in seiner autobiographie gefühlvoll und zugleich ehrlich von seinem langen weg in sein heutiges leben als mann autor felix altmann

felix von felix altmann fachbuch bücher de - Mar 06 2023

web die biographie felix von mann zu mann von felix altmann hat einen umfang von 316 seiten und ist ein selfpublishing buch das buch gibt es in ebook und softcoverausgabe im ebookformat ist es übersichtlich felix wurde vor über 40 jahren als miriam geboren in seiner biographie erzählt er von seinem langen steinigen weg in dem er

autobiografie felix von mann zu mann der weg eines - May 08 2023

web felix von mann zu mann erzählt gefühlvoll schonungslos und bewegend den weg eines transmannes mein leben auf dem weg von mann zu mann funding period 3 10 16 5 10 16 realisation ca 12 wochen

amazon de kundenrezensionen felix von mann zu mann - Dec 03 2022

web finden sie hilfreiche kundenrezensionen und rezensionsbewertungen für felix von mann zu mann auf amazon de lesen sie ehrliche und unvoreingenommene rezensionen von unseren nutzern

autobiografie felix von mann zu mann der weg eines - Oct 01 2022

web felix von mann zu mann erzählt gefühlvoll schonungslos und bewegend den weg eines transmannes mein leben auf dem weg von mann zu mann funding period 3 10 16 5 10 16 realisation ca 12 wochen website social media minimum amount start level

autobiografie felix von mann zu mann startnext - May 28 2022

web mar 10 2016 felix von mann zu mann erzählt gefühlvoll schonungslos und bewegend den weg eines transmannes mein leben auf dem weg von mann zu mann finanzierungszeitraum 10 03 16 10 05 16 realisierungszeitraum ca 12 wochen website social media mindestbetrag startlevel 7 000 stadt radolfzell am bodensee

felix von mann zu mann paperback 31 oct 2016 amazon co uk - Apr 26 2022

web buy felix von mann zu mann by altmann felix isbn 9783741280153 from amazon s book store everyday low prices and free delivery on eligible orders felix von mann zu mann amazon co uk altmann felix 9783741280153 books

autobiografie felix von mann zu mann startnext - Nov 02 2022

web mar 10 2016 felix von mann zu mann erzählt gefühlvoll schonungslos und bewegend den weg eines transmannes mein leben auf dem weg von mann zu mann

felix von mann zu mann altmann felix amazon se böcker - Jan 24 2022

web sök på amazon se sv hej logga in

felix von mann zu mann altmann felix 9783741280153 - Mar 26 2022

web select the department you want to search in

felix von mann zu mann german edition paperback - Aug 31 2022

web oct 31 2016 amazon com felix von mann zu mann german edition 9783741280153 altmann felix books

felix von mann zu mann lovelybooks - Apr 07 2023

web die biographie felix von mann zu mann von felix altmann hat einen umfang von 316 seiten und ist ein selfpublishing buch das buch gibt es in ebook und softcoverausgabe im ebookformat ist es übersichtlich felix wurde vor über 40 jahren als miriam geboren

felix von mann zu mann kindle ausgabe amazon de - Jul 10 2023

web die biographie felix von mann zu mann von felix altmann hat einen umfang von 316 seiten und ist ein selfpublishing buch das buch gibt es in ebook und softcoverausgabe im ebookformat ist es übersichtlich felix wurde vor über 40 jahren als miriam geboren

felix von mann zu mann kindle edition amazon de - Feb 05 2023

web felix von mann zu mann ebook altmann felix amazon de kindle store skip to main content de hello select your address
kindle store select the department you want to search in search amazon de en hello sign in account lists

felix von mann zu mann by altmann felix jan amazon ae - Jun 28 2022

web buy felix von mann zu mann by altmann felix jan online on amazon ae at best prices fast and free shipping free returns
cash on delivery available on eligible purchase

felix von mann zu mann by felix altmann alibris - Feb 22 2022

web buy felix von mann zu mann by felix altmann online at alibris we have new and used copies available in 1 editions
starting at 27 78 shop now