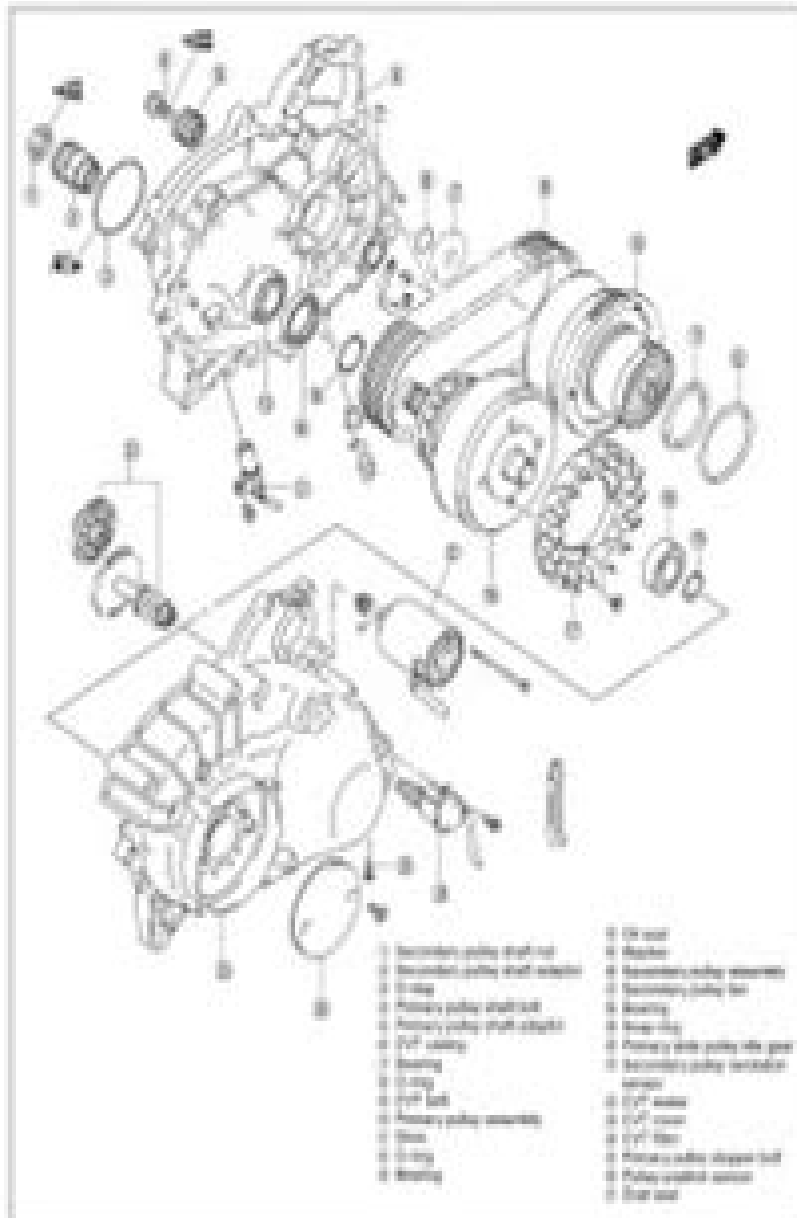


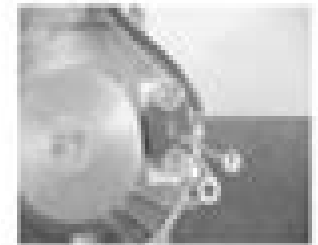
CYT DISASSEMBLY AND REASSEMBLY



CYT DISASSEMBLY

CYT CASINGCOVER

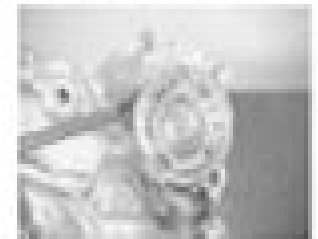
• Remove the pulley position sensor 1.



• Remove the secondary pulley seal kit spacer 2.



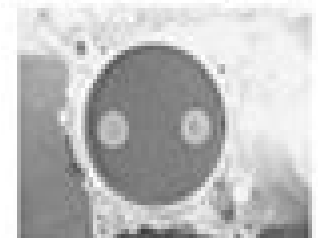
• Remove the CVT input



• Remove the CVT filter cover



• Remove the CVT filter



Manuale Burgman 65

Clemens Wendtner



Manuale Burgman 65:

Getting the books **Manuale Burgman 65** now is not type of inspiring means. You could not unaccompanied going with book hoard or library or borrowing from your connections to get into them. This is an completely easy means to specifically get lead by on-line. This online broadcast Manuale Burgman 65 can be one of the options to accompany you in the manner of having extra time.

It will not waste your time. resign yourself to me, the e-book will unconditionally heavens you supplementary concern to read. Just invest tiny epoch to right to use this on-line notice **Manuale Burgman 65** as competently as review them wherever you are now.

<https://staging.conocer.cide.edu/About/virtual-library/Documents/Inspirasi%20Indonesia%20Indonesian%20Inspirations.pdf>

Table of Contents Manuale Burgman 65

1. Understanding the eBook Manuale Burgman 65
 - The Rise of Digital Reading Manuale Burgman 65
 - Advantages of eBooks Over Traditional Books
2. Identifying Manuale Burgman 65
 - Exploring Different Genres
 - Considering Fiction vs. Non-Fiction
 - Determining Your Reading Goals
3. Choosing the Right eBook Platform
 - Popular eBook Platforms
 - Features to Look for in an Manuale Burgman 65
 - User-Friendly Interface
4. Exploring eBook Recommendations from Manuale Burgman 65
 - Personalized Recommendations
 - Manuale Burgman 65 User Reviews and Ratings
 - Manuale Burgman 65 and Bestseller Lists

5. Accessing Manuale Burgman 65 Free and Paid eBooks
 - Manuale Burgman 65 Public Domain eBooks
 - Manuale Burgman 65 eBook Subscription Services
 - Manuale Burgman 65 Budget-Friendly Options
6. Navigating Manuale Burgman 65 eBook Formats
 - ePub, PDF, MOBI, and More
 - Manuale Burgman 65 Compatibility with Devices
 - Manuale Burgman 65 Enhanced eBook Features
7. Enhancing Your Reading Experience
 - Adjustable Fonts and Text Sizes of Manuale Burgman 65
 - Highlighting and Note-Taking Manuale Burgman 65
 - Interactive Elements Manuale Burgman 65
8. Staying Engaged with Manuale Burgman 65
 - Joining Online Reading Communities
 - Participating in Virtual Book Clubs
 - Following Authors and Publishers Manuale Burgman 65
9. Balancing eBooks and Physical Books Manuale Burgman 65
 - Benefits of a Digital Library
 - Creating a Diverse Reading Collection Manuale Burgman 65
10. Overcoming Reading Challenges
 - Dealing with Digital Eye Strain
 - Minimizing Distractions
 - Managing Screen Time
11. Cultivating a Reading Routine Manuale Burgman 65
 - Setting Reading Goals Manuale Burgman 65
 - Carving Out Dedicated Reading Time
12. Sourcing Reliable Information of Manuale Burgman 65
 - Fact-Checking eBook Content of Manuale Burgman 65
 - Distinguishing Credible Sources
13. Promoting Lifelong Learning

- Utilizing eBooks for Skill Development
 - Exploring Educational eBooks
14. Embracing eBook Trends
- Integration of Multimedia Elements
 - Interactive and Gamified eBooks

Manuale Burgman 65 Introduction

Free PDF Books and Manuals for Download: Unlocking Knowledge at Your Fingertips In today's fast-paced digital age, obtaining valuable knowledge has become easier than ever. Thanks to the internet, a vast array of books and manuals are now available for free download in PDF format. Whether you are a student, professional, or simply an avid reader, this treasure trove of downloadable resources offers a wealth of information, conveniently accessible anytime, anywhere. The advent of online libraries and platforms dedicated to sharing knowledge has revolutionized the way we consume information. No longer confined to physical libraries or bookstores, readers can now access an extensive collection of digital books and manuals with just a few clicks. These resources, available in PDF, Microsoft Word, and PowerPoint formats, cater to a wide range of interests, including literature, technology, science, history, and much more. One notable platform where you can explore and download free Manuale Burgman 65 PDF books and manuals is the internet's largest free library. Hosted online, this catalog compiles a vast assortment of documents, making it a veritable goldmine of knowledge. With its easy-to-use website interface and customizable PDF generator, this platform offers a user-friendly experience, allowing individuals to effortlessly navigate and access the information they seek. The availability of free PDF books and manuals on this platform demonstrates its commitment to democratizing education and empowering individuals with the tools needed to succeed in their chosen fields. It allows anyone, regardless of their background or financial limitations, to expand their horizons and gain insights from experts in various disciplines. One of the most significant advantages of downloading PDF books and manuals lies in their portability. Unlike physical copies, digital books can be stored and carried on a single device, such as a tablet or smartphone, saving valuable space and weight. This convenience makes it possible for readers to have their entire library at their fingertips, whether they are commuting, traveling, or simply enjoying a lazy afternoon at home. Additionally, digital files are easily searchable, enabling readers to locate specific information within seconds. With a few keystrokes, users can search for keywords, topics, or phrases, making research and finding relevant information a breeze. This efficiency saves time and effort, streamlining the learning process and allowing individuals to focus on extracting the information they need. Furthermore, the availability of free PDF books and manuals fosters a culture of continuous learning. By removing financial barriers, more people can access educational resources and pursue lifelong learning, contributing to personal

growth and professional development. This democratization of knowledge promotes intellectual curiosity and empowers individuals to become lifelong learners, promoting progress and innovation in various fields. It is worth noting that while accessing free Manuale Burgman 65 PDF books and manuals is convenient and cost-effective, it is vital to respect copyright laws and intellectual property rights. Platforms offering free downloads often operate within legal boundaries, ensuring that the materials they provide are either in the public domain or authorized for distribution. By adhering to copyright laws, users can enjoy the benefits of free access to knowledge while supporting the authors and publishers who make these resources available. In conclusion, the availability of Manuale Burgman 65 free PDF books and manuals for download has revolutionized the way we access and consume knowledge. With just a few clicks, individuals can explore a vast collection of resources across different disciplines, all free of charge. This accessibility empowers individuals to become lifelong learners, contributing to personal growth, professional development, and the advancement of society as a whole. So why not unlock a world of knowledge today? Start exploring the vast sea of free PDF books and manuals waiting to be discovered right at your fingertips.

FAQs About Manuale Burgman 65 Books

What is a Manuale Burgman 65 PDF? A PDF (Portable Document Format) is a file format developed by Adobe that preserves the layout and formatting of a document, regardless of the software, hardware, or operating system used to view or print it. **How do I create a Manuale Burgman 65 PDF?** There are several ways to create a PDF: Use software like Adobe Acrobat, Microsoft Word, or Google Docs, which often have built-in PDF creation tools. Print to PDF: Many applications and operating systems have a "Print to PDF" option that allows you to save a document as a PDF file instead of printing it on paper. Online converters: There are various online tools that can convert different file types to PDF. **How do I edit a Manuale Burgman 65 PDF?** Editing a PDF can be done with software like Adobe Acrobat, which allows direct editing of text, images, and other elements within the PDF. Some free tools, like PDFescape or Smallpdf, also offer basic editing capabilities. **How do I convert a Manuale Burgman 65 PDF to another file format?** There are multiple ways to convert a PDF to another format: Use online converters like Smallpdf, Zamzar, or Adobe Acrobats export feature to convert PDFs to formats like Word, Excel, JPEG, etc. Software like Adobe Acrobat, Microsoft Word, or other PDF editors may have options to export or save PDFs in different formats. **How do I password-protect a Manuale Burgman 65 PDF?** Most PDF editing software allows you to add password protection. In Adobe Acrobat, for instance, you can go to "File" -> "Properties" -> "Security" to set a password to restrict access or editing capabilities. Are there any free alternatives to Adobe Acrobat for working with PDFs? Yes, there are many free alternatives for working with PDFs, such as: LibreOffice: Offers PDF editing

features. PDFsam: Allows splitting, merging, and editing PDFs. Foxit Reader: Provides basic PDF viewing and editing capabilities. How do I compress a PDF file? You can use online tools like Smallpdf, ILovePDF, or desktop software like Adobe Acrobat to compress PDF files without significant quality loss. Compression reduces the file size, making it easier to share and download. Can I fill out forms in a PDF file? Yes, most PDF viewers/editors like Adobe Acrobat, Preview (on Mac), or various online tools allow you to fill out forms in PDF files by selecting text fields and entering information. Are there any restrictions when working with PDFs? Some PDFs might have restrictions set by their creator, such as password protection, editing restrictions, or print restrictions. Breaking these restrictions might require specific software or tools, which may or may not be legal depending on the circumstances and local laws.

Find Manuale Burgman 65 :

[inspirasi indonesia indonesian inspirations](#)

instructors manual and study guide to accompany the dynamic universe an introduction to astronomy

inspirations creative writing and art activities

instructor competencies the standards

~~inspector logan audio cassette level 1~~

[inside time](#)

~~inside the royal court theatre 1956-1981 artists talk~~

instructors manual to accompany america past and present

~~instructors manual with tests basic college mathematics~~

~~instr edi/ academic reading~~

[instant paper toys](#)

inside the information superhighway revolution

insight pocket guide alsace

~~instructors guide for medical law ethics and bioethics for ambulatory care~~

instructors manual to accompany thinking in writing 4th - rhetorical patterns and critical response

Manuale Burgman 65 :

top 4 tenali rama stories in kannada 📄 📄 📄 📄 📄 📄 - Aug 11 2022

web may 20 2023 here are the top 4 tenali rama stories in kannada for kids 1 📄 📄 📄 📄 📄 📄 📄 📄 📄 📄 2 📄 📄 📄 📄 📄

3 4 1

dcstories stories in kannada - Feb 05 2022

web may 20 2023 here are the top best tenali rama stories in kannada 1

top 3 tenali rama stories in kannada - Jun 09 2022

web may 16 2023 here are the top 3 tenali rama stories in kannada to entertain you and the kids

2023 - Sep 24 2023

web yousigma com biographies tenali 20ramakrishna html

tenali rama stories in kannada - Jan 16 2023

web sep 29 2022 tenali rama stories in kannada

stories of tenali - Oct 13 2022

web stories of tenali ramakrishna in kannada director satishkumar kannada stories kannada stories poems and articles kannada stories for kids

tenali rama stories - Dec 15 2022

web may 17 2023 by devanand c prabhu here are the top best tenali rama stories in kannada 1

stories - Nov 14 2022

web oct 19 2018 stories of tenali ramakrishna in kannada tenali rama stories in kannada director satishkumar stories in kannada ebooks kannada kavanagalu kannada quotes earning tips

stories of tenali - Jun 21 2023

web may 10 2018 stories of tenali ramakrishna in kannada tenali rama stories in kannada director satishkumar stories in kannada ebooks kannada kavanagalu kannada quotes earning tips

best tenali raman stories in kannada youtube - Apr 07 2022

web presenting best tenali raman stories in kannada kannada kids stories kannada kathegalu for kids panchatantra stories in kannada loads of giggles are gua

tenali rama stories kannada stories for kids - Sep 12 2022

web nov 28 2019 an entertaining and yet thought provoking tenali kannada story that can be enjoyed by all age groups this

story highlights the wisdom humor and intelligen

[tenali raman stories in kannada full animated movie kannada](#) - Feb 17 2023

web presenting tenali raman stories in kannada tenali ramakrishna is a folk hero in south india who figures prominently in a host of folk stories

[tenali rama wikipedia](#) - Jul 10 2022

web king s court ramakrishna held an important position in krishnadevaraya s court he was one of the ashtadiggajas and chief adviser appointed by the emperor later years a statue in the honour of tenali ramakrishnayya a year before the death of krishnadevaraya in 1528 tenali ramakrishna died from a snakebite 6

[stories of tenali ramakrishna in kannada roaring creations films](#) - Mar 06 2022

web stories of tenali ramakrishna in kannada director satishkumar kannada stories kannada stories poems and articles kannada stories for kids stories of tenali ramakrishna in kannada director satishkumar kannada stories kannada stories poems and articles kannada stories for kids

[stories of tenali ramakrishna](#) - Aug 23 2023

web oct 13 2018 1 stories of tenali ramakrishna in kannada

[the baby vessels kannada stories for](#) - Mar 18 2023

web nov 13 2019 all the stories of tenali rama kannada stories for kids tell us about his relationship with the king his wisdom and his problem solving capabilities

[stories of tenali](#) - May 08 2022

web oct 15 2018 stories of tenali ramakrishna in kannada tenali rama stories in kannada 10 15 2018 kannada stories for kids

[tales of tenali ramakrishna](#) - Apr 19 2023

web feb 10 2018 tales of tenali ramakrishna in kannada tenali rama stories in kannada 10 02 2018 kannada stories for kids

[tenali raman stories in kannada kannada kathegalu](#) - May 20 2023

web jun 3 2019 presenting tenali raman stories in kannada kannada kathegalu kannada stories kannada kalpanika kathegalu neethi kathegalu tenali rama

[tenali rama stories in kannada](#) - Jul 22 2023

web may 19 2023 here you will find some of the best funny tenali rama stories in kannada tenali rama is a poet and one of the best advisor at king krishnadevaraya s kingdom his full name is garlapati ramakrishnayya and is famous by name tenali

rama tenali rama is famous for his humor his intelligence and problem solving skills

the bfg disney movies - May 17 2023

web jul 1 2016 disney presents a roald dahl classic directed by steven spielberg in an imaginative tale filled with magic wonder and unexpected friendship a young girl is launched on an enormous adventure when she crosses paths with a mysterious being called the big friendly giant

[watch the bfg netflix](#) - Feb 14 2023

web the bfg 2016 maturity rating 7 1h 56m kids a little orphan meets up with a kind giant who s supposed to eat her but instead protects her from some truly horrible giants who terrorize them both starring mark rylance ruby

the bfg 2016 imdb - Oct 22 2023

web jul 1 2016 the bfg directed by steven spielberg with mark rylance ruby barnhill penelope wilton jemaine clement an orphan little girl befriends a benevolent giant who takes her to giant country where they attempt to stop the man eating giants that are invading the human world

the bfg all movie clips 2016 youtube - Aug 20 2023

web sep 17 2020 watch the official clip compilation for the bfg a family movie starring rebecca hall and mark rylance available now on disney digital blu ray and dvd a

the bfg wikipedia - Jun 18 2023

web the bfg short for the big friendly giant is a 1982 children s novel by british author roald dahl it is an expansion of a short story from dahl s 1975 novel danny the champion of the world the book is dedicated to dahl s late daughter olivia who died of measles encephalitis at the age of seven in 1962

the bfg 2016 plot imdb - Jan 13 2023

web as the queen describes the dream mary sees a newspaper headline mentioning the disappearance of children in london sophie then makes her presence known to the three of them at the window since the queen has already seen this in her dream she allows it and then realizes sophie is with bfg

the bfg 2016 film wikipedia - Sep 21 2023

web the bfg titled onscreen as roald dahl s the bfg is a 2016 american fantasy adventure film directed and co produced by steven spielberg written by melissa mathison her final film before her 2015 death and based on roald dahl s 1982 novel of the same name

the bfg rotten tomatoes - Mar 15 2023

web movie info ten year old sophie is in for the adventure of a lifetime when she meets the big friendly giant mark rylance naturally scared at first the young girl soon realizes that the 24 foot

disney s the bfg official trailer youtube - Jul 19 2023

web apr 5 2016 directed by spielberg disney s the bfg tells the imaginative story of a young girl and the giant who introduces her to the wonders and perils of giant country the bfg mark rylance

[watch the bfg disney](#) - Apr 16 2023

web a young girl journeys to a world of adventure with a big friendly giant

penguin readers librarything - Mar 29 2022

web nyelvkönyvek és idegen nyelvű könyvek forgalmazása beszerzése könyvesbolt és online rendelés nyelvkönyvek olvasnivaló útikönyvek

penguin readers 3 the fugitive j m dillard 9781405876919 - Mar 09 2023

web level 3 the fugitive j m dillard 9781405876919 penguin graded readers level 3 pearson 978 1 4058 7691 9 104

the fugitive with audio cd penguin readers level 3 - Jan 27 2022

web destroyed them now penguin brings you the works of the great thinkers pioneers radicals and visionaries whose ideas shook civilization and helped make us who we are the

the new york times news quiz sept 15 2023 - Sep 22 2021

web 5 hours ago an aquarium of the pacific penguin has died officials announced on thursday sept 14 ludwig a magellanic penguin was 12 years old at the time of his

the fugitive penguin readers graded readers by j m dillard - Apr 29 2022

web read the fugitive penguin readers from here check all flipbooks from s the fugitive penguin readers looks good share the fugitive penguin readers online

the fugitive penguin readers flipbook pdf pdf free - May 11 2023

web jun 21 2017 check pages 1 3 of the fugitive penguin readers in the flip pdf version the fugitive penguin readers was published by on 2017 06 21 find more similar flip

penguin readers 3 the fugitive amazon com - Aug 14 2023

web penguin readers factsheets level pre intermediate the fugitive summary his exciting adventure story takes place in present day chicago in the usa at the beginning

penguin readers level 3 the fugitive penguin readers - Jun 12 2023

web the fugitive j m dillard chapter 1 on the night of his hospital s fund raising party there is an intruder in kimble s house and his wife helen is shot and killed chapter 2 kimble

[teacher s notes 1 the fugitive 3 2 pearsonelt ch](#) - Jul 13 2023

web jan 1 1996 penguin readers level 3 the fugitive penguin readers dillard j m on amazon com free shipping on qualifying

offers penguin readers level 3 the

the fugitive penguin readers flipbook by fliphtml5 - Feb 25 2022

web theodore boone the fugitive the life of john thompson a fugitive slave marcel proust chamor the fugitive the fugitive re reading pío baroja and english literature a

level 3 the fugitive j m dillard 9781405876919 penguin - Feb 08 2023

web oct 28 2021 the fugitive penguin readers level 3 publisher unknown paperback in english 0582417937 9780582417939 aaaa not in library libraries near you

home penguin readers - Aug 02 2022

web paperback first published january 1 1993 book details editions

the fugitive penguin readers by j m dillard - Nov 05 2022

web the fugitive photocopiable c pearson education limited 2008 the fugitive activity worksheets of 2 activity worksheets level 3 penguin readers

the fugitive penguin readers flipbook by fliphtml5 - Jun 19 2021

the fugitive photocopiable penguin readers fliphtml5 - Dec 06 2022

web the fugitive penguin readers wwwfrenghishru free download as pdf file pdf or view presentation slides online

[the fugitive penguin readers wwwfrenghishru pdf scribd](#) - Oct 04 2022

web penguin readers handbook a comprehensive user guide including lesson plans activity templates popular books level 3 persuasion level 2 the extraordinary life of

the fugitive photocopiable penguin readers fliphtml5 - May 19 2021

aquarium of the pacific penguin ludwig dies after contracting - Jul 21 2021

web jun 21 2017 the fugitive photocopiable penguin readers was published by on 2017 06 21 find more similar flip pdfs like the fugitive photocopiable penguin readers

the fugitive penguin readers level 3 open library - Jan 07 2023

web jun 21 2017 looking for the fugitive photocopiable penguin readers read the fugitive photocopiable penguin readers from here check all flipbooks from s the

[penguinreaderthefugitive copy tea senseasia](#) - Dec 26 2021

web 1 day ago by abbey white september 14 2023 8 45am monster juice and the pathfinders society books penguin young readers lion forge entertainment and

the fugitive penguin readers - Jul 01 2022

web the fugitive penguin readers graded readers author dillard j m book condition used very good quantity available 1 binding paperback isbn 10 0582401828 isbn 13

[thefugitivepenguinreaders brigitte fielder copy](#) - Nov 24 2021

web sep 15 2023 chuck grassley 89 mitch mcconnell 81 mitt romney 76 bernie sanders 82 tom wright piersanti lyna bentahar and the staff of the morning newsletter

the fugitive photocopiable penguin readers - Sep 03 2022

web the book the fugitive is based on the screenplay of the extremely successful film the fugitive which was released in 1993 the film was based on the tv series

the fugitive penguin readers by michael nation goodreads - May 31 2022

web penguin readers level 3 jim smiley and his jumping frog and other stories by mark twain 32 copies 8 reviews order level 3 penguin readers level 3 manchester united

9 new books we recommend this week the new york times - Aug 22 2021

web jun 21 2017 check all flipbooks from s the fugitive penguin readers looks good share the fugitive penguin readers online the book the fugitive is based on the

[the fugitive penguin readers pages 1 3 fliphtml5](#) - Apr 10 2023

web penguin readers 3 the fugitive by j m dillard isbn 10 1405876913 isbn 13 9781405876919 pearson 2008 softcover lion forge entertainment penguin young readers set tv and - Oct 24 2021

web 1 day ago hollystephen king beware the kindly retired professors in king s latest novel which is set during the pandemic and charges into thorny debates from masking policies to black lives matter