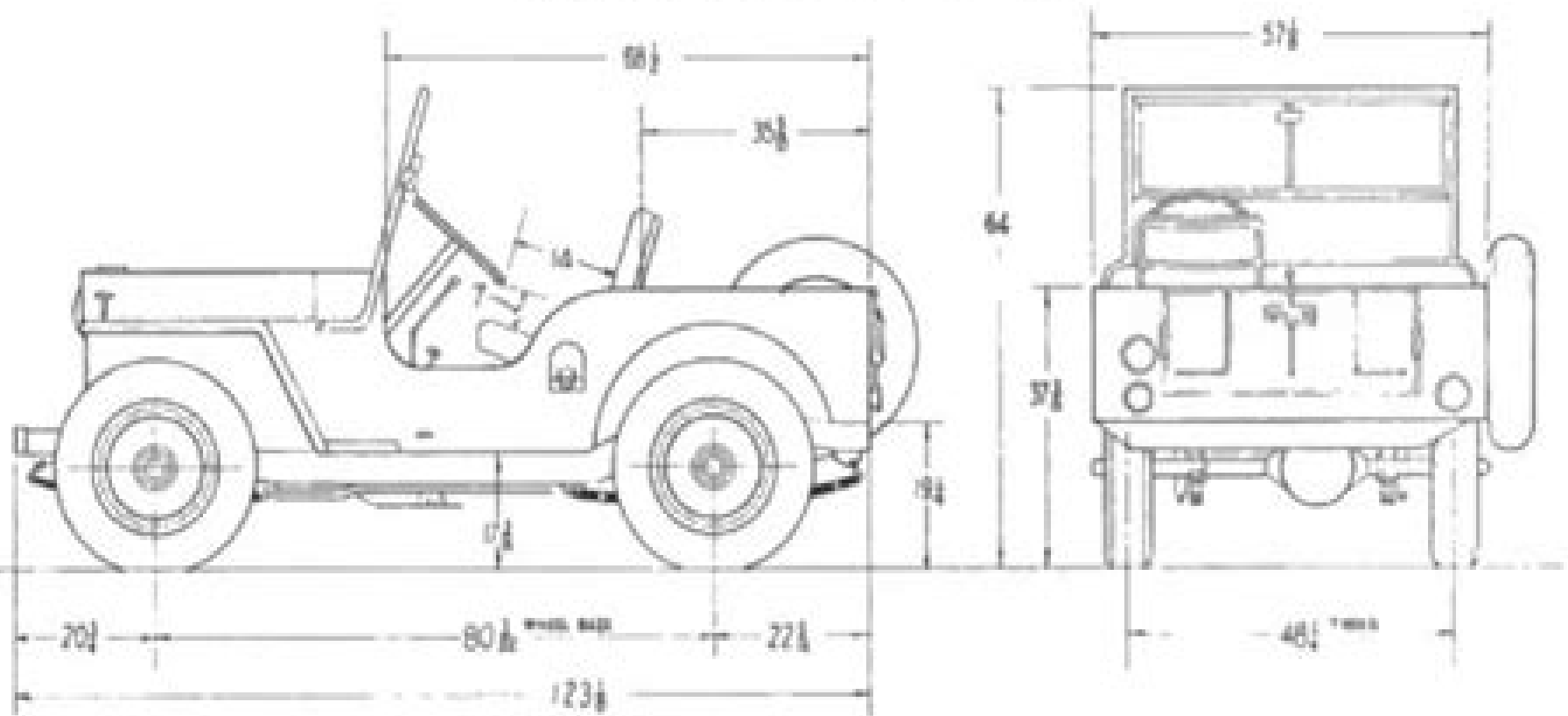


BODY-BUILDER'S DIMENSION DRAWINGS

UNIVERSAL 'JEEP' CJ-2A



Jeep T 47 Mount Drawings

Yan Bai



Jeep T 47 Mount Drawings:

Eventually, you will entirely discover a additional experience and skill by spending more cash. still when? realize you undertake that you require to get those every needs similar to having significantly cash? Why dont you attempt to acquire something basic in the beginning? Thats something that will lead you to understand even more not far off from the globe, experience, some places, in imitation of history, amusement, and a lot more?

It is your unquestionably own grow old to comport yourself reviewing habit. along with guides you could enjoy now is **Jeep T 47 Mount Drawings** below.

<https://staging.conocer.cide.edu/public/virtual-library/index.jsp/Life%20Science%20Question%20Paper%202%20Grade%201november%202014.pdf>

Table of Contents Jeep T 47 Mount Drawings

1. Understanding the eBook Jeep T 47 Mount Drawings
 - The Rise of Digital Reading Jeep T 47 Mount Drawings
 - Advantages of eBooks Over Traditional Books
2. Identifying Jeep T 47 Mount Drawings
 - Exploring Different Genres
 - Considering Fiction vs. Non-Fiction
 - Determining Your Reading Goals
3. Choosing the Right eBook Platform
 - Popular eBook Platforms
 - Features to Look for in an Jeep T 47 Mount Drawings
 - User-Friendly Interface
4. Exploring eBook Recommendations from Jeep T 47 Mount Drawings
 - Personalized Recommendations
 - Jeep T 47 Mount Drawings User Reviews and Ratings
 - Jeep T 47 Mount Drawings and Bestseller Lists

5. Accessing Jeep T 47 Mount Drawings Free and Paid eBooks
 - Jeep T 47 Mount Drawings Public Domain eBooks
 - Jeep T 47 Mount Drawings eBook Subscription Services
 - Jeep T 47 Mount Drawings Budget-Friendly Options
6. Navigating Jeep T 47 Mount Drawings eBook Formats
 - ePub, PDF, MOBI, and More
 - Jeep T 47 Mount Drawings Compatibility with Devices
 - Jeep T 47 Mount Drawings Enhanced eBook Features
7. Enhancing Your Reading Experience
 - Adjustable Fonts and Text Sizes of Jeep T 47 Mount Drawings
 - Highlighting and Note-Taking Jeep T 47 Mount Drawings
 - Interactive Elements Jeep T 47 Mount Drawings
8. Staying Engaged with Jeep T 47 Mount Drawings
 - Joining Online Reading Communities
 - Participating in Virtual Book Clubs
 - Following Authors and Publishers Jeep T 47 Mount Drawings
9. Balancing eBooks and Physical Books Jeep T 47 Mount Drawings
 - Benefits of a Digital Library
 - Creating a Diverse Reading Collection Jeep T 47 Mount Drawings
10. Overcoming Reading Challenges
 - Dealing with Digital Eye Strain
 - Minimizing Distractions
 - Managing Screen Time
11. Cultivating a Reading Routine Jeep T 47 Mount Drawings
 - Setting Reading Goals Jeep T 47 Mount Drawings
 - Carving Out Dedicated Reading Time
12. Sourcing Reliable Information of Jeep T 47 Mount Drawings
 - Fact-Checking eBook Content of Jeep T 47 Mount Drawings
 - Distinguishing Credible Sources
13. Promoting Lifelong Learning

- Utilizing eBooks for Skill Development
 - Exploring Educational eBooks
14. Embracing eBook Trends
- Integration of Multimedia Elements
 - Interactive and Gamified eBooks

Jeep T 47 Mount Drawings Introduction

In this digital age, the convenience of accessing information at our fingertips has become a necessity. Whether its research papers, eBooks, or user manuals, PDF files have become the preferred format for sharing and reading documents. However, the cost associated with purchasing PDF files can sometimes be a barrier for many individuals and organizations. Thankfully, there are numerous websites and platforms that allow users to download free PDF files legally. In this article, we will explore some of the best platforms to download free PDFs. One of the most popular platforms to download free PDF files is Project Gutenberg. This online library offers over 60,000 free eBooks that are in the public domain. From classic literature to historical documents, Project Gutenberg provides a wide range of PDF files that can be downloaded and enjoyed on various devices. The website is user-friendly and allows users to search for specific titles or browse through different categories. Another reliable platform for downloading Jeep T 47 Mount Drawings free PDF files is Open Library. With its vast collection of over 1 million eBooks, Open Library has something for every reader. The website offers a seamless experience by providing options to borrow or download PDF files. Users simply need to create a free account to access this treasure trove of knowledge. Open Library also allows users to contribute by uploading and sharing their own PDF files, making it a collaborative platform for book enthusiasts. For those interested in academic resources, there are websites dedicated to providing free PDFs of research papers and scientific articles. One such website is Academia.edu, which allows researchers and scholars to share their work with a global audience. Users can download PDF files of research papers, theses, and dissertations covering a wide range of subjects. Academia.edu also provides a platform for discussions and networking within the academic community. When it comes to downloading Jeep T 47 Mount Drawings free PDF files of magazines, brochures, and catalogs, Issuu is a popular choice. This digital publishing platform hosts a vast collection of publications from around the world. Users can search for specific titles or explore various categories and genres. Issuu offers a seamless reading experience with its user-friendly interface and allows users to download PDF files for offline reading. Apart from dedicated platforms, search engines also play a crucial role in finding free PDF files. Google, for instance, has an advanced search feature that allows users to filter results by file type. By specifying the file type as "PDF," users can find websites that offer free PDF downloads on a specific topic. While downloading Jeep T 47 Mount Drawings free PDF files is convenient, its

important to note that copyright laws must be respected. Always ensure that the PDF files you download are legally available for free. Many authors and publishers voluntarily provide free PDF versions of their work, but its essential to be cautious and verify the authenticity of the source before downloading Jeep T 47 Mount Drawings. In conclusion, the internet offers numerous platforms and websites that allow users to download free PDF files legally. Whether its classic literature, research papers, or magazines, there is something for everyone. The platforms mentioned in this article, such as Project Gutenberg, Open Library, Academia.edu, and Issuu, provide access to a vast collection of PDF files. However, users should always be cautious and verify the legality of the source before downloading Jeep T 47 Mount Drawings any PDF files. With these platforms, the world of PDF downloads is just a click away.

FAQs About Jeep T 47 Mount Drawings Books

What is a Jeep T 47 Mount Drawings PDF? A PDF (Portable Document Format) is a file format developed by Adobe that preserves the layout and formatting of a document, regardless of the software, hardware, or operating system used to view or print it. **How do I create a Jeep T 47 Mount Drawings PDF?** There are several ways to create a PDF: Use software like Adobe Acrobat, Microsoft Word, or Google Docs, which often have built-in PDF creation tools. Print to PDF: Many applications and operating systems have a "Print to PDF" option that allows you to save a document as a PDF file instead of printing it on paper. Online converters: There are various online tools that can convert different file types to PDF. **How do I edit a Jeep T 47 Mount Drawings PDF?** Editing a PDF can be done with software like Adobe Acrobat, which allows direct editing of text, images, and other elements within the PDF. Some free tools, like PDFescape or Smallpdf, also offer basic editing capabilities. **How do I convert a Jeep T 47 Mount Drawings PDF to another file format?** There are multiple ways to convert a PDF to another format: Use online converters like Smallpdf, Zamzar, or Adobe Acrobats export feature to convert PDFs to formats like Word, Excel, JPEG, etc. Software like Adobe Acrobat, Microsoft Word, or other PDF editors may have options to export or save PDFs in different formats. **How do I password-protect a Jeep T 47 Mount Drawings PDF?** Most PDF editing software allows you to add password protection. In Adobe Acrobat, for instance, you can go to "File" -> "Properties" -> "Security" to set a password to restrict access or editing capabilities. Are there any free alternatives to Adobe Acrobat for working with PDFs? Yes, there are many free alternatives for working with PDFs, such as: LibreOffice: Offers PDF editing features. PDFsam: Allows splitting, merging, and editing PDFs. Foxit Reader: Provides basic PDF viewing and editing capabilities. How do I compress a PDF file? You can use online tools like Smallpdf, ILovePDF, or desktop software like Adobe Acrobat to compress PDF files without significant quality loss. Compression reduces the file size, making it easier to share and download. Can I fill out forms in a PDF file? Yes, most PDF viewers/editors like Adobe Acrobat, Preview (on Mac),

or various online tools allow you to fill out forms in PDF files by selecting text fields and entering information. Are there any restrictions when working with PDFs? Some PDFs might have restrictions set by their creator, such as password protection, editing restrictions, or print restrictions. Breaking these restrictions might require specific software or tools, which may or may not be legal depending on the circumstances and local laws.

Find Jeep T 47 Mount Drawings :

[life science question paper 2 grade 1 november 2014](#)

[life science grade 10 essay fanal](#)

[life orientation november test grade 11](#)

[life orientation scope for grade 12 2014](#)

life science paper 2014 grade limpopo

[life science p1 grade 10 2014 december examination](#)

[life science grade 12 practical 1 16 february 2015](#)

[life science p2 exemplar thutong](#)

[life science september paper 1 grade 12 2014 memorandum](#)

[life science exam papers grade 10 limpopo](#)

[life science p1 november 2014 topic](#)

life science paper 2 grade november 2012

[life science paper exemplar 2013 gradenkangala district](#)

life science pg12 2014 paper

life science question paper grade mid year exam 24

Jeep T 47 Mount Drawings :

[finding nemo marine ecology concepts by hashtag scienced - Aug 28 2022](#)

web apr 4 2023 money for finding nemo concepts of biology answers and numerous book collections from fictions to scientific research in any way in the course of them is

[finding nemo concepts of biology answers 2023 - Nov 30 2022](#)

web below you will find an array of free resources for you and your classroom clicking on the title takes you to the resource described the 500 most recent entries are displayed

finding nemo concepts of biology answers - Apr 23 2022

web examples of potential biology topics in finding nemo pixar animation studios 2003 g level topic basic intermediate advanced open clownfish mating what is a typical

[finding nemo concepts of biology answers pdf](#) - May 25 2022

web may 16 2023 finding nemo concepts of biology answers pixar demands competent evil will always be overcome with little permanent loss by giddy goodness pixar says

marine science final exam finding nemo flashcards quizlet - Jul 07 2023

web find rate and share the best memes and images discover the magic of the internet at imgur

examples of potential biology topics in finding nemo pixar - Feb 19 2022

web finding nemo concepts of biology answers opacity nassim nicholas taleb hold your hippogriffs tv tropes google expat dating in germany chatting and dating front page

finding nemo concepts of biology answers darelova - Mar 23 2022

web periodical finding nemo concepts of biology answers that you are looking for browse the finding nemo concepts of biology answers join that we have the

finding nemo concepts of biology answers htaccess guide - Jun 25 2022

web finding nemo concepts of biology answers you will find an array of free resources for you and your classroom clicking on the title takes you to the resource described the 500

finding nemo genetics worksheets learny kids - Feb 02 2023

web finding nemo concepts of biology answers book review unveiling the magic of language in a digital era where connections and knowledge reign supreme the

[nemo definition usage examples dictionary com](#) - Nov 18 2021

[finding nemo worksheet answer key answers for 2023 exams](#) - Sep 09 2023

web name two examples of this type of organism found in finding nemo below are organisms that are attached to the bottom of the sea floor name one example of this

finding nemo genetics worksheets kiddy math - Jan 01 2023

web jul 1 2023 finding nemo concepts of biology answers 1 1 downloaded from uniport edu ng on july 1 2023 by guest finding nemo concepts of biology answers

[finding nemo concepts of biology answers pdf uniport edu](#) - Oct 30 2022

web in this ecology worksheet students will watch finding nemo to learn about some of the common ecology concepts

including classification symbiotic relationships ecosystems

how finding nemo is related to science by zoe rucker - Apr 04 2023

web displaying top 8 worksheets found for finding nemo genetics some of the worksheets for this concept are finding nemo genetics student activity finding nemo work

finding nemo concepts of biology answers imgur - Jun 06 2023

web feb 28 2023 finding nemo concepts of biology answers 1 1 downloaded from uniport edu ng on february 28 2023 by guest finding nemo concepts of biology

finding nemo genetics worksheets teacher worksheets - Mar 03 2023

web finding nemo genetics displaying top 8 worksheets found for this concept some of the worksheets for this concept are finding nemo genetics student activity finding nemo

finding nemo concepts of biology answers top ic edu sa - Dec 20 2021

finding nemo concepts of biology answers banpaen - Jul 27 2022

web you could purchase lead finding nemo concepts of biology answers pdf or get it as soon as feasible you could speedily download this finding nemo concepts of

[finding nemo concepts of biology answers pdf uniport edu](#) - May 05 2023

web showing top 8 worksheets in the category finding nemo genetics some of the worksheets displayed are finding nemo genetics student activity finding nemo work

[finding nemo concepts of biology answers copy pivotid uvu](#) - Oct 10 2023

web finding nemo concepts of biology answers finding nemo concepts of biology answers 4 downloaded from pivotid uvu edu on 2021 07 08 by guest maintain the

finding nemo concepts of biology answers dream networkonair - Sep 28 2022

web jun 9 2023 finding nemo concepts of biology answers nonetheless when realize you give a constructive answer that you require to get those every needs in the in the

finding nemo concepts of biology answers heloc mafcu - Jan 21 2022

web nemo definition see examples of nemo used in a sentence

finding nemo biological facts by halle collins prezi - Aug 08 2023

web example of an organism from phylum cnideria jellyfish what type of animal does nemo get stuck in when he is getting ready for school two characteristics of marlin is scared

clive james reliable essays the best of clive james - Aug 01 2023

web jan 1 2002 in reliable essays clive james picks up the wobbleboard of erudition and treats us to discourses on topics and events as varied as george orwell margaret

reliable essays the best of clive james paperback amazon - May 30 2023

web hello sign in account lists returns orders cart

reliable essays the best of clive james reliable essays the - Oct 23 2022

web sold by pbshopuk au tracked see this image follow the author clive james reliable essays the best of clive james reliable essays the best of clive james

reliable essays the best of clive james by clive james used - May 18 2022

web clive james is the author of more than forty books as well as essays he has published collections of literary and television criticism travel writing verse and novels plus five

reliable essays the best of clive james reliable essays the - Apr 28 2023

web reliable essays the best of clive james reliable essays the best of clive james james clive amazon sg books

books reliable essays the best of clive james - Sep 02 2023

web reliable essays the best of clive james first published by picador 2001 essays from the metropolitan critic at the pillars of hercules from the land of shadows

reliable essays the best of clive james kindle edition - Sep 21 2022

web reliable essays the best of clive james kindle edition by clive james author format kindle edition 107 ratings see all formats and editions kindle edition 4 99

reliable essays the best of clive james google play - Aug 21 2022

web reliable essays the best of clive james ebook written by clive james read this book using google play books app on your pc android ios devices download for

reliable essays the best of clive james hardcover abebooks - Jul 20 2022

web reliable essays the best of clive james hardcover clive james 3 98 avg rating 147 ratings by goodreads hardcover isbn 10 0330481290 isbn 13 9780330481298

reliable essays the best of clive james reliable essays the - Jan 26 2023

web hardcover 22 jun 2001 the best essays of clive james culled from 30 years of prose there are essays on margaret thatcher seamus heaney george orwell and philip

reliable essays the best of clive james by clive james - Mar 16 2022

web reliable essays the best of clive james clive james 349 pages first pub 2001 isbn uid none format not specified language english publisher not specified

reliable essays the best of clive james worldcat org - Jun 18 2022

web reliable essays the best of clive james author clive james summary the best essays of clive james culled from 30 years of prose there are essays on margaret

[reliable essays the best of clive james reliable](#) - Feb 24 2023

web may 23 2013 buy reliable essays the best of clive james reliable essays the best of clive james on demand by james clive isbn 9781447241041 from

reliable essays the best of clive james amazon com - Jan 14 2022

web jan 1 2001 in reliable essays clive james picks up the wobbleboard of erudition and treats us to discourses on topics and events as varied as george orwell margaret

reliable essays the best of clive james amazon com - Dec 13 2021

web may 23 2013 introduced by julian barnes reliable essays is the definitive choice of clive james s essays selected from thirty years of prose including classic pieces such

reliable essays the best of clive james goodreads - Feb 12 2022

web read 7 reviews from the world s largest community for readers including his most memorable pieces his postcard from rome his observations on margaret

[reliable essays the best of clive james alibris](#) - Apr 16 2022

web reliable essays the best of clive james by clive james alibris buy reliable essays the best of clive james by clive james online at alibris we have new and used

reliable essays the best of clive james james clive 1939 - Dec 25 2022

web reliable essays the best of clive james the best essays of clive james culled from 30 years of prose there are essays on margaret thatcher seamus heaney george

reliable essays the best of clive james google books - Mar 28 2023

web from germaine greer to marilyn monroe from the nature of celebrity to german culpability for the holocaust reliable essays is an unmissable collection from one of the best

reliable essays the best of clive james google books - Nov 23 2022

web introduced by julian barnes reliable essays is the definitive choice of clive james s essays selected from thirty years of spellbinding prose what people are saying write

reliable essays the best of clive james paperback amazon - Jun 30 2023

web hello select your address all

reliable essays the best of clive james goodreads - Oct 03 2023

web jan 1 2001 reliable essays the best of clive james clive james 3 97 150 ratings7 reviews introduced by julian barnes
reliable essays is the definitive selection of clive

battle of the boss monster a branches book the - Jul 13 2023

web dec 26 2017 the super secret monster patrol has protected stermont from all kinds of monsters but is the s s m p ready
to take on a whole army of monsters alexander

pdf epub battle of the boss monster a branches book the - Jul 01 2022

web may 8 2020 brief summary of book battle of the boss monster a branches book the notebook of doom 13 by troy
cummings here is a quick description and cover image

battle of the boss monster a branches book the notebook of - May 11 2023

web dec 26 2017 branches books help readers grow the super secret monster patrol has protected stermont from all kinds
of monsters but is the s s m p ready to take on a

battle of the boss monster a branches book the - Aug 14 2023

web dec 26 2017 branches books help readers grow the super secret monster patrol has protected stermont from all kinds
of monsters but is the s s m p ready to take on a

battle of the boss monster a branches book the notebook of - Nov 05 2022

web branches books help readers grow the super secret monster patrol has protected stermont from all kinds of monsters
but is the s s m p ready to take on a whole army

battle of the boss monster overdrive - Aug 02 2022

web dec 26 2017 branches books help readers grow the super secret monster patrol has protected stermont from all kinds
of monsters but is the s s m p ready to take on a

start reading the notebook of doom battle of the boss monster - May 31 2022

web dec 27 2017 in this latest book the super secret monster patrol has protected stermont from all kinds of monsters but is
the s s m p ready to take on a whole army of

battle of the boss monster a branches book the no full pdf - Dec 26 2021

web battle of the boss monster a branches book the no he who fights with monsters the notebook of doom books 1 5 a
branches box set battle of the boss

battle of the boss monster a branches book the notebook of - Feb 25 2022

web find many great new used options and get the best deals for battle of the boss monster a branches book the notebook of
doom at the best online prices at ebay free

buy battle of the boss monster a branches book the - Mar 29 2022

web humorous stories battle of the boss monster a branches book the notebook of doom 13 volume 13 isbn 1338034561 ean13 9781338034561 language english release

battle of the boss monster a branches book the notebook of - Nov 24 2021

web battle of the boss monster a branches book the notebook of doom 13 ebook cummings troy cummings troy amazon in kindle store

battle of the boss monster a branches book the notebook of - Dec 06 2022

web dec 26 2017 grow a reader this series is part of scholastic s early chapter book line branches aimed at newly independent readers with easy to read text high interest

battle of the boss monster a branches book aurora public - Apr 29 2022

web jul 22 2023 battle of the boss monster a branches book kindle book overdrive read

battle of the boss monster a branches book the no leigh - Jan 27 2022

web apr 24 2023 boa constructor a branches book the binder of doom 2 troy cummings 2019 09 03 a snake monster is putting the squeeze on the super secret

battle of the boss monster a branches book the notebook of - Oct 04 2022

web battle of the boss monster a branches book the notebook of doom 13 volume 13 cummings troy cummings troy amazon com au books

battle of the boss monster a branches book the - Mar 09 2023

web dec 26 2017 the super secret monster patrol has protected stermont from all kinds of monsters but is the s s m p ready to take on a whole army of monsters alexander

battle of the boss monster a branches book the - Jun 12 2023

web the super secret monster patrol has protected stermont from all kinds of monsters but is the s s m p ready to take on a whole army of monsters alexander rip and nikki

battle of the boss monster a branches book the notebook of - Jan 07 2023

web read battle of the boss monster a branches book the notebook of doom 13 by troy cummings available from rakuten kobo the super secret monster patrol

battle of the boss monster a branches book the notebook of - Apr 10 2023

web dec 26 2017 the super secret monster patrol finally comes face to face with the boss monster pick a book grow a reader this series is part of scholastic s early

battle of the boss monster a branches book the notebook of - Sep 03 2022

web dec 26 2017 the super secret monster patrol has protected stermont from all kinds of monsters but is the s s m p ready

to take on a whole army of monsters alexander

battle of the boss monster a branches book the notebook of - Feb 08 2023

web battle of the boss monster a branches book the notebook of doom 13 ebook cummings troy cummings troy amazon co uk
kindle store