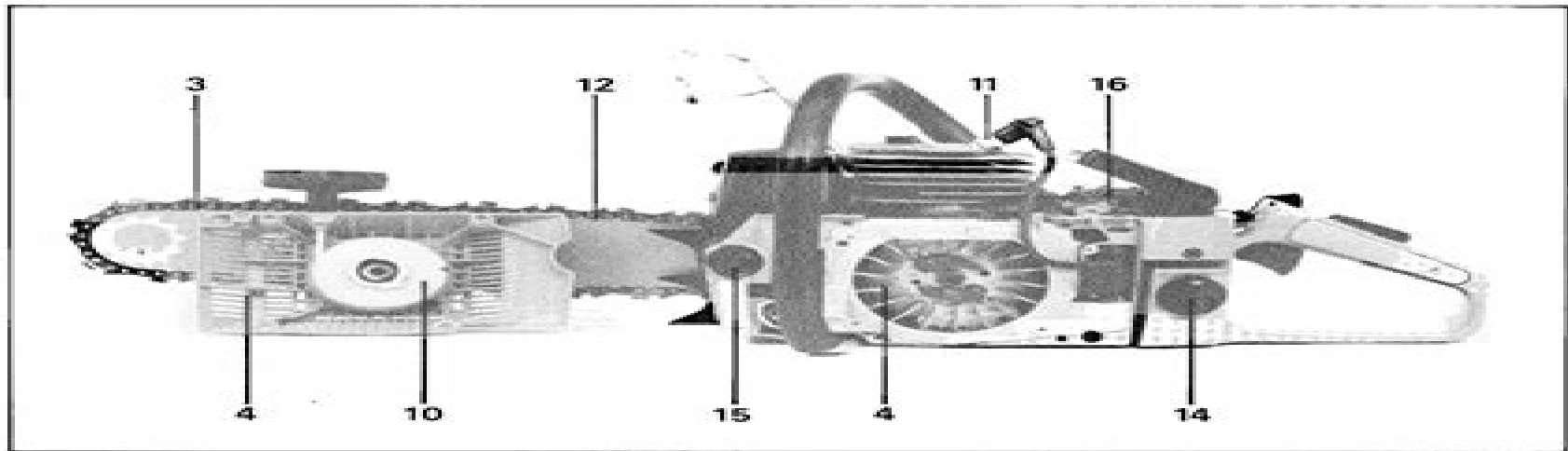


Maintenance of the chain saw



Daily maintenance

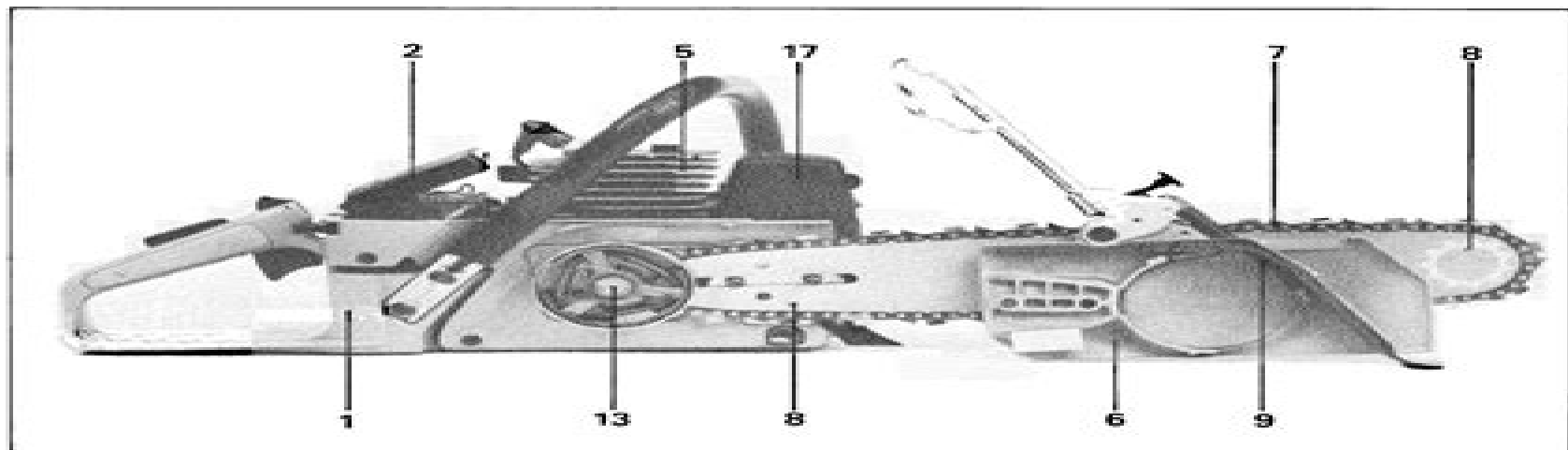
1. Clean the saw body from the outside.
2. Clean the air filter. Change if necessary.
3. Turn around the guide bar, lower edge up. Clean the bar groove.
4. Clean the fan and air intakes in the starter cover.
5. Clean the cooling fins on the cylinder.
6. Clean the space under the clutch cover.
7. Sharpen the chain and check its tension.
8. Check the oiling system for the chain and the guide bar.
9. Clean the chain brake. Make it a habit to lock the chain brake during pauses and transports.

Weekly maintenance

10. Check the starter, its cord and return spring.
11. Clean the spark plug from the outside and check the gap. Adjust the gap or change the plug if necessary.
12. File off burrs if any on the sides of the guide bar.
13. Lubricate the bearings of the clutch drum.

Monthly maintenance

14. Wash out the fuel tank with petrol.
15. Wash out the oil tank with petrol.
16. Clean the carburettor.
17. Check the fire-fighting screen inside the silencer. Clean or change if necessary.



Husqvarna 266se Manual

M Carnoy



Husqvarna 266se Manual:

Discover tales of courage and bravery in Crafted by is empowering ebook, Stories of Fearlessness: **Husqvarna 266se Manual** . In a downloadable PDF format (*), this collection inspires and motivates. Download now to witness the indomitable spirit of those who dared to be brave.

<https://staging.conocer.cide.edu/book/uploaded-files/index.jsp/Er%20Financing%20Guide%20Mortgage.pdf>

Table of Contents Husqvarna 266se Manual

1. Understanding the eBook Husqvarna 266se Manual
 - The Rise of Digital Reading Husqvarna 266se Manual
 - Advantages of eBooks Over Traditional Books
2. Identifying Husqvarna 266se Manual
 - Exploring Different Genres
 - Considering Fiction vs. Non-Fiction
 - Determining Your Reading Goals
3. Choosing the Right eBook Platform
 - Popular eBook Platforms
 - Features to Look for in an Husqvarna 266se Manual
 - User-Friendly Interface
4. Exploring eBook Recommendations from Husqvarna 266se Manual
 - Personalized Recommendations
 - Husqvarna 266se Manual User Reviews and Ratings
 - Husqvarna 266se Manual and Bestseller Lists
5. Accessing Husqvarna 266se Manual Free and Paid eBooks
 - Husqvarna 266se Manual Public Domain eBooks
 - Husqvarna 266se Manual eBook Subscription Services
 - Husqvarna 266se Manual Budget-Friendly Options
6. Navigating Husqvarna 266se Manual eBook Formats

- ePub, PDF, MOBI, and More
 - Husqvarna 266se Manual Compatibility with Devices
 - Husqvarna 266se Manual Enhanced eBook Features
7. Enhancing Your Reading Experience
 - Adjustable Fonts and Text Sizes of Husqvarna 266se Manual
 - Highlighting and Note-Taking Husqvarna 266se Manual
 - Interactive Elements Husqvarna 266se Manual
 8. Staying Engaged with Husqvarna 266se Manual
 - Joining Online Reading Communities
 - Participating in Virtual Book Clubs
 - Following Authors and Publishers Husqvarna 266se Manual
 9. Balancing eBooks and Physical Books Husqvarna 266se Manual
 - Benefits of a Digital Library
 - Creating a Diverse Reading Collection Husqvarna 266se Manual
 10. Overcoming Reading Challenges
 - Dealing with Digital Eye Strain
 - Minimizing Distractions
 - Managing Screen Time
 11. Cultivating a Reading Routine Husqvarna 266se Manual
 - Setting Reading Goals Husqvarna 266se Manual
 - Carving Out Dedicated Reading Time
 12. Sourcing Reliable Information of Husqvarna 266se Manual
 - Fact-Checking eBook Content of Husqvarna 266se Manual
 - Distinguishing Credible Sources
 13. Promoting Lifelong Learning
 - Utilizing eBooks for Skill Development
 - Exploring Educational eBooks
 14. Embracing eBook Trends
 - Integration of Multimedia Elements
 - Interactive and Gamified eBooks

Husqvarna 266se Manual Introduction

Free PDF Books and Manuals for Download: Unlocking Knowledge at Your Fingertips In today's fast-paced digital age, obtaining valuable knowledge has become easier than ever. Thanks to the internet, a vast array of books and manuals are now available for free download in PDF format. Whether you are a student, professional, or simply an avid reader, this treasure trove of downloadable resources offers a wealth of information, conveniently accessible anytime, anywhere. The advent of online libraries and platforms dedicated to sharing knowledge has revolutionized the way we consume information. No longer confined to physical libraries or bookstores, readers can now access an extensive collection of digital books and manuals with just a few clicks. These resources, available in PDF, Microsoft Word, and PowerPoint formats, cater to a wide range of interests, including literature, technology, science, history, and much more. One notable platform where you can explore and download free Husqvarna 266se Manual PDF books and manuals is the internet's largest free library. Hosted online, this catalog compiles a vast assortment of documents, making it a veritable goldmine of knowledge. With its easy-to-use website interface and customizable PDF generator, this platform offers a user-friendly experience, allowing individuals to effortlessly navigate and access the information they seek. The availability of free PDF books and manuals on this platform demonstrates its commitment to democratizing education and empowering individuals with the tools needed to succeed in their chosen fields. It allows anyone, regardless of their background or financial limitations, to expand their horizons and gain insights from experts in various disciplines. One of the most significant advantages of downloading PDF books and manuals lies in their portability. Unlike physical copies, digital books can be stored and carried on a single device, such as a tablet or smartphone, saving valuable space and weight. This convenience makes it possible for readers to have their entire library at their fingertips, whether they are commuting, traveling, or simply enjoying a lazy afternoon at home. Additionally, digital files are easily searchable, enabling readers to locate specific information within seconds. With a few keystrokes, users can search for keywords, topics, or phrases, making research and finding relevant information a breeze. This efficiency saves time and effort, streamlining the learning process and allowing individuals to focus on extracting the information they need. Furthermore, the availability of free PDF books and manuals fosters a culture of continuous learning. By removing financial barriers, more people can access educational resources and pursue lifelong learning, contributing to personal growth and professional development. This democratization of knowledge promotes intellectual curiosity and empowers individuals to become lifelong learners, promoting progress and innovation in various fields. It is worth noting that while accessing free Husqvarna 266se Manual PDF books and manuals is convenient and cost-effective, it is vital to respect copyright laws and intellectual property rights. Platforms offering free downloads often operate within legal boundaries, ensuring that the materials they provide are either in the public domain or authorized for distribution. By adhering to copyright laws, users can enjoy the benefits of free access to knowledge while supporting the authors and publishers who

make these resources available. In conclusion, the availability of Husqvarna 266se Manual free PDF books and manuals for download has revolutionized the way we access and consume knowledge. With just a few clicks, individuals can explore a vast collection of resources across different disciplines, all free of charge. This accessibility empowers individuals to become lifelong learners, contributing to personal growth, professional development, and the advancement of society as a whole. So why not unlock a world of knowledge today? Start exploring the vast sea of free PDF books and manuals waiting to be discovered right at your fingertips.

FAQs About Husqvarna 266se Manual Books

How do I know which eBook platform is the best for me? Finding the best eBook platform depends on your reading preferences and device compatibility. Research different platforms, read user reviews, and explore their features before making a choice. Are free eBooks of good quality? Yes, many reputable platforms offer high-quality free eBooks, including classics and public domain works. However, make sure to verify the source to ensure the eBook credibility. Can I read eBooks without an eReader? Absolutely! Most eBook platforms offer webbased readers or mobile apps that allow you to read eBooks on your computer, tablet, or smartphone. How do I avoid digital eye strain while reading eBooks? To prevent digital eye strain, take regular breaks, adjust the font size and background color, and ensure proper lighting while reading eBooks. What the advantage of interactive eBooks? Interactive eBooks incorporate multimedia elements, quizzes, and activities, enhancing the reader engagement and providing a more immersive learning experience. Husqvarna 266se Manual is one of the best book in our library for free trial. We provide copy of Husqvarna 266se Manual in digital format, so the resources that you find are reliable. There are also many Ebooks of related with Husqvarna 266se Manual. Where to download Husqvarna 266se Manual online for free? Are you looking for Husqvarna 266se Manual PDF? This is definitely going to save you time and cash in something you should think about. If you trying to find then search around for online. Without a doubt there are numerous these available and many of them have the freedom. However without doubt you receive whatever you purchase. An alternate way to get ideas is always to check another Husqvarna 266se Manual. This method for see exactly what may be included and adopt these ideas to your book. This site will almost certainly help you save time and effort, money and stress. If you are looking for free books then you really should consider finding to assist you try this. Several of Husqvarna 266se Manual are for sale to free while some are payable. If you arent sure if the books you would like to download works with for usage along with your computer, it is possible to download free trials. The free guides make it easy for someone to free access online library for download books to your device. You can get free download on free trial for lots of books categories. Our library is the biggest of these that have literally hundreds of thousands of different products categories represented. You

will also see that there are specific sites catered to different product types or categories, brands or niches related with Husqvarna 266se Manual. So depending on what exactly you are searching, you will be able to choose e books to suit your own need. Need to access completely for Campbell Biology Seventh Edition book? Access Ebook without any digging. And by having access to our ebook online or by storing it on your computer, you have convenient answers with Husqvarna 266se Manual To get started finding Husqvarna 266se Manual, you are right to find our website which has a comprehensive collection of books online. Our library is the biggest of these that have literally hundreds of thousands of different products represented. You will also see that there are specific sites catered to different categories or niches related with Husqvarna 266se Manual So depending on what exactly you are searching, you will be able to choose ebook to suit your own need. Thank you for reading Husqvarna 266se Manual. Maybe you have knowledge that, people have search numerous times for their favorite readings like this Husqvarna 266se Manual, but end up in harmful downloads. Rather than reading a good book with a cup of coffee in the afternoon, instead they juggled with some harmful bugs inside their laptop. Husqvarna 266se Manual is available in our book collection an online access to it is set as public so you can download it instantly. Our digital library spans in multiple locations, allowing you to get the most less latency time to download any of our books like this one. Merely said, Husqvarna 266se Manual is universally compatible with any devices to read.

Find Husqvarna 266se Manual :

er financing guide mortgage

esl lesson scavenger hunt esl teachers board

escape velocity test sanmple papers

epson stylus pro gs6000 service manual repair guide

escience lab instructor manual general chemistry

equality of educational opportunity coleman report

epson stylus r220 manual

escaping me shaft on tour book english edition

eric carle herr seepferdchen

esploso morini ah50

errand service new client form

ergonomics guide for healthcare

ernest hemingway on writing english edition

erj 145 manual 145

epson-user-guide-manual

Husqvarna 266se Manual :

talking with psychopaths a journey into the evil mind berry - May 19 2023

web details sold by amazon sg add to cart s 23 69 free delivery sold by pbshop sg see this image talking with psychopaths a journey into the evil mind paperback

read pdf talking with psychopaths and savages a journey - Dec 14 2022

web apr 6 2017 buy talking with psychopaths a journey into the evil mind by berry dee christopher online on amazon ae at best prices fast and free shipping free returns cash

talking with psychopaths a journey into the evil mind - Feb 16 2023

web in talking with psychopaths and savages bestselling author and criminologist christopher berry dee takes readers deep inside the dark minds of some of the most

psychopath diary korea drama watch with english subtitles - Mar 05 2022

web sep 21 2023 verses three says the lord is the man of war the lord is his name olori hellori hellori of the world the highest good thing he can do to somebody now is to

talking with psychopaths and savages a journey into - Apr 18 2023

web jul 27 2020 savages a journey into the evil mind pdf files read pdf free sample talking with psychopaths and savages a journey into the evil mind download pdf

pdf epub talking with psychopaths and savages - Aug 22 2023

web talking with psychopaths and savages a journey into the evil mind a chilling study of the most cold blooded manipulative people on planet earth author christopher berry

talking with psychopaths a journey into the evil mind - Aug 10 2022

web in talking with psychopaths and savages bestselling author and criminologist christopher berry dee takes readers deep inside the dark minds of some of the most

loading interface goodreads - May 07 2022

web details look around you because the person sitting right next to you could be a cold heartless murderer in talking with psychopaths and

night of open heaven 21st september 2023 - Nov 01 2021

talking with psychopaths and savages a journey into the evil - Apr 06 2022

web mar 25 2010 i psychopath directed by ian walker with sam vaknin lidija rangelovska robert hare natasha mitchell sam vaknin a twice diagnosed narcissist

talking with psychopaths and savages a journey into the evil - Feb 04 2022

web jul 27 2020 talking with psychopaths and savages a journey into theevil mindbook detailpaperback 288 pages publisher john blake june 1 2017 language english

talking with psychopaths and savages a journey into the evil - Jan 03 2022

talking with psychopaths a journey into the evil mind by - Mar 17 2023

web talking with psychopaths and savages a journey into the evil mind a chilling study of the most cold blooded manipulative people on planet earth kindle edition by christopher

talking with psychopaths yumpu - Sep 30 2021

talking with psychopaths and savages a journey - Jan 15 2023

web apr 6 2017 in talking with psychopaths and savages bestselling author and criminologist christopher berry dee takes readers deep inside the dark minds of some of

talking with psychopaths and savages a journey into the evil - Sep 11 2022

web discover and share books you love on goodreads

[talking with psychopaths and savages a journey into](#) - Jun 20 2023

web sku 9781786061225 isbn 9781786061225 by john blake publishing ltd collect book points from your order description having spent years interviewing imprisoned criminals

talking with psychopaths a journey into the evil mind - Jul 09 2022

web an exciting mystery thriller psychopath diary is a 2019 drama directed by lee jong jae a hard working employee at a brokerage company yook dong shik yoon shi yoon

talking with psychopaths and savages a journey into the evil - Oct 12 2022

web talking with psychopaths and savages a journey into the evil mind ebook summary talking with psychopaths and savages a journey into the

talking with psychopaths and savages a journey into the evil - Nov 13 2022

web apr 6 2017 in talking with psychopaths and savages bestselling author and criminologist christopher berry dee takes readers deep inside the dark minds of some of

talking with psychopaths and savages a journey into - Jul 21 2023

web talking with psychopaths a journey into the evil mind berry dee christopher amazon com tr kitap
advantage talking with psychopaths and savages a - Jun 08 2022

web apr 6 2017 talking with psychopaths and savages a journey into the evil mind a chilling study of the most cold blooded
manipulative people on planet earth kindle
i psychopath tv movie 2009 imdb - Dec 02 2021

the fast metabolism diet eat more food and lose more weight - May 12 2023

web read 353 reviews from the world s largest community for readers 1 new york times bestseller kick your metabolism into
gear with a diet program that use the fast metabolism diet eat more food and lose more weight by haylie pomroy goodreads

the fast metabolism diet eat more food and lose more weight - Feb 26 2022

web amazon com the fast metabolism diet eat more food and lose more weight audible audio edition haylie pomroy rebecca
lowman random house audio audible books originals audible books originals health wellness fitness diet nutrition diets
nutrition healthy eating weight loss weight control

the fast metabolism diet eat more food and lose more weight pomroy - Jun 13 2023

web the fast metabolism diet eat more food and lose more weight pomroy haylie amazon com tr kitap

the fast metabolism diet eat more food and lose more weight - Nov 06 2022

web the fast metabolism diet eat more food and lose more weight haylie pomroy apr 2013 sold by harmony 3 9 star 721
reviews ebook 272 pages family home eligible info 14 99 ebook free

the fast metabolism diet cookbook eat even more food and lose - Dec 07 2022

web dec 31 2013 4 3 3 054 ratings see all formats and editions turn your kitchen into a secret weapon for losing up to 20
pounds in 28 days through the fat burning power of food with more than 200 simple effective mouthwatering family pleasing
recipes from the 1 new york times bestselling author of the fast metabolism diet

the fast metabolism diet eat more food and lose more weight pomroy - Jul 14 2023

web apr 9 2013 the fast metabolism diet eat more food and lose more weight hardcover april 9 2013 by haylie pomroy
author 4 2 4 2 out of 5 stars 8 180 ratings

the fast metabolism diet eat more food and lose more weight by haylie - Feb 09 2023

web apr 9 2013 overview 1 new york times bestseller kick your metabolism into gear with a diet program that uses the fat
burning power of food to help you lose up to 20 pounds in 28 days this is not a fad diet it s a medically proven method of food
as medicine to fight obesity cure chronic illness and heal a broken

the fast metabolism diet eat more food and lose more weight by haylie - Mar 10 2023

web 1 new york times bestseller kick your metabolism into gear with a diet program that uses the fat burning power of food to help you lose up to 20 pounds in 28 days this is not a fad diet

[the fast metabolism diet eat more food and lose more weight](#) - Aug 03 2022

web apr 9 2013 1 new york times bestseller kick your metabolism into gear with a diet program that uses the fat burning power of food to help you lose up to 20 pounds in 28 days this is not a fad diet it s a medically proven method of food as medicine to fight obesity cure chronic illness and heal a broken metabolism jacqueline fields m d

the fast metabolism diet book haylie pomroy - Jan 08 2023

web 1 new york times best seller eat more food lose more weight haylie pomroy has helped thousands of clients lose weight utilizing the healing power of real whole food hailed as the metabolism guru haylie reminds us that food is not the enemy it s medicine needed to rev up your sluggish broken down metabolism

the fast metabolism diet eat more food and lose more weight pomroy - Apr 11 2023

web apr 9 2013 the fast metabolism diet eat more food and lose more weight hardcover 9 april 2013 by haylie pomroy author 4 0 4 0 out of 5 stars 8 200 ratings

[the fast metabolism diet eat more food and lose more weight haylie](#) - Oct 05 2022

web the fast metabolism diet eat more food and lose more weight hardcover 9 april 2013 by haylie pomroy author 4 2 4 2 out of 5 stars 8 169 ratings

[editions of the fast metabolism diet eat more food and lose more](#) - Jul 02 2022

web mar 26 2013 editions for the fast metabolism diet eat more food and lose more weight 0307986276 hardcover published in 2012 kindle edition published in 2013

[the fast metabolism diet eat more food and lose more weight haylie](#) - Aug 15 2023

web it s a medically proven method of food as medicine to fight obesity cure chronic illness and heal a broken metabolism jacqueline fields m d hailed as the metabolism whisperer haylie pomroy reminds us that food is not the enemy but medicine needed to rev up your sluggish broken down metabolism to turn your body into a fat

the fast metabolism diet cookbook eat even more food and lose - Mar 30 2022

web dec 31 2013 turn your kitchen into a secret weapon for losing up to 20 pounds in 28 days through the fat burning power of food with more than 200 simple effective mouthwatering family pleasing recipes from the 1 new york times bestselling author of the fast metabolism diet

[the fast metabolism diet eat more food and lose more weight](#) - Jan 28 2022

web r 107 43 1 new york times bestseller kick your metabolism into gear with a diet program that uses the fat burning power of food to help you lose up to 20 pounds in 28 days this is not a fad diet

the fast metabolism diet cookbook eat even more food and lose - Jun 01 2022

web dec 31 2013 the fast metabolism diet cookbook eat even more food and lose even more weight hardcover illustrated

dec 31 2013 by haylie pomroy author 4 3 out of 5 stars 2 791 ratings

the fast metabolism diet eat more food and lose more weight - Sep 04 2022

web abebooks com the fast metabolism diet eat more food and lose more weight 9780307986276 by haylie pomroy and a great selection of similar new used and collectible books available now at great prices

the fast metabolism diet eat more food and lose more weight google play - Apr 30 2022

web the fast metabolism diet eat more food and lose more weight by haylie pomroy audiobooks on google play the fast metabolism diet eat more food and lose more

harvard ivey case solutions analysis hbs hbr case study solutions - Jun 17 2023

web hbr case study solutions is available in both a printed version and an online format if you are looking to create a full report for a class or for a classroom or other educational setting hbr case studies an online version can be useful for preparing the material that will be used in a class

mba hbr spotify case study solution analysis emba pro - Jul 06 2022

web introduction to case study solution emba pro case study solution for spotify case study at emba pro we provide corporate level professional case study solution spotify case study is a harvard business school hbr case

mba hbr wendy peterson case study solution analysis - Sep 27 2021

web we write wendy peterson case study solution using harvard business review case writing framework hbr organizational development learning notes we try to cover all the bases in the field of organizational development assessing performance conflict cross cultural management developing employees leadership sales and other related areas

unifine richardson 10 steps case study analysis solution - Feb 01 2022

web unifine richardson is a harvard business hbr case study on technology operations fern fort university provides hbr case study assignment help for just 11 our case solution is based on case study method expertise our global insights

harvard case study solutions excel file and analysis hbr case study - Apr 03 2022

web our process is simple and straightforward once you submit your case study to us our team of experts will carefully analyze and research your case developing a customized solution that addresses all of your needs we will work closely with you throughout the process ensuring that you are satisfied with the end result

cases harvard business publishing education - Aug 19 2023

web case companion build students confidence in case analysis case companion is an engaging and interactive introduction to case study analysis that is ideal for undergraduates or any student new to learning with cases learn more

case selections harvard business review - Sep 20 2023

web curated march 01 2023 managing your organization tesla and elon musk how the company and its lightning rod ceo balance risk and opportunity curated may 03 2022 managing your organization doing

do your students know how to analyze a case really - Sep 08 2022

web sep 8 2020 give students an opportunity to practice the case analysis methodology via an ungraded sample case study designate groups of five to seven students to discuss the case and the six steps in breakout sessions in class or via zoom ensure case analyses are weighted heavily as a grading component

case help and case study analysis your trusted guide to - Jun 05 2022

web sep 15 2023 enhanced understanding harvard case study solution services offer individuals the opportunity to deepen their understanding of real world business scenarios and challenges by working

a step by step guide to real time pricing harvard business - Feb 13 2023

web oct 16 2023 a step by step guide to real time pricing an advanced ai model considers much more than what competitors are charging summary in today s fast paced world of digital retailing the ability to

mba hbr wilkerson co case study solution analysis - Aug 07 2022

web at emba pro we provide corporate level professional case study solution wilkerson co case study is a harvard business school hbr case study written by robert s kaplan the wilkerson co referred as wilkerson line from here on case study provides evaluation decision scenario in field of finance accounting

what to do when students bring case solutions to class - Mar 14 2023

web oct 29 2021 start by being prepared for moments when case solutions show up in class you will respond more effectively if you anticipate them and have considered how to address them preparing in advance may also reduce the temptation albeit understandable to demean the students in question

case study will a bank s new technology help or hurt morale - Dec 11 2022

web leonard a schlesinger from the magazine july august 2021 anuj shrestha beth daniels the ceo of michigan s vanir bancorp sat silent as her chief human resources officer and chief financial

hbr case studies solutions case study solution - Mar 02 2022

web hbr case studies solutions this list is based on the 4 key source documents reviewed in this course link the latest changes are found below if you re looking to keep up with changes to some concepts please also check out this space

hbr store business case studies harvard business review - May 16 2023

web jan 25 2013 case studies written by professors at hbs and other leading business programs worldwide focusing on real world problems and decisions companies face

case study should we embrace crypto harvard business review - Apr 15 2023

web charles c y wang from the magazine november december 2021 anuj shrestha the phone buzzed on the nightstand once twice three times waking ankit jain from what had been a restful sleep before

hbr cases online solution google sites - Oct 29 2021

web hbr cases online solution 442 mcadam case study solution 5 fortune one of many chinese restaurants case study solution chinas bright food overseas manda strategy 2010 2012 a steep learning curve case study solution covalent term loan for expansion and modernization case study solution

hbr case study the gentleman s three harvard business review - Nov 10 2022

web mergers and acquisitions hbr case study the gentleman s three by brian j hall and andrew wasynczuk from the magazine july august 2011 between the inner and outer doors of circale

hbr case study solutions thecasesolutions com - Nov 29 2021

web aug 25 2017 hbr case study solutions thecasesolutions com friday 25 august 2017 forbind systems b the way forward case solution analysis thecasesolutions com

the team that wasn t by suzy wetlaufer hbr case study solution - Oct 09 2022

web jun 2 2021 8 4k views 2 years ago hbr case study an easy to follow solution of the team that wasn t case study from harvard business review the case study deals with the issues related to leading teams and

mba hbr chemalite inc case study solution analysis - May 04 2022

web solved chemalite inc case study solution include swot analysis pestel analysis vrio analysis porter five forces analysis value chain analysis bcg growth share analysis david a wilson focus on finance accounting and financial analysis financial management mba emba case study solution

harvard case study solution analysis hbr case study solutions hbr - Jan 12 2023

web you can find harvard case solutions hbr case solutions at thecasesolutions com number 1 website in case study solutions all solutions are done from scratch and are plagiarism free turnitin reports are also provided as

calaméo amazon com 2021 case study solution analysis - Dec 31 2021

web steps for case study solution analysis 1 introduction of amazon com 2021 case solution the amazon com 2021 case study is a harvard business review case study which presents a simulated practical experience to the reader allowing them to learn about real life problems in the business world

what the case study method really teaches harvard business review - Jul 18 2023

web dec 21 2021 klaus vedfelt getty images summary it s been 100 years since harvard business school began using the case study method beyond teaching specific subject matter the case study method

