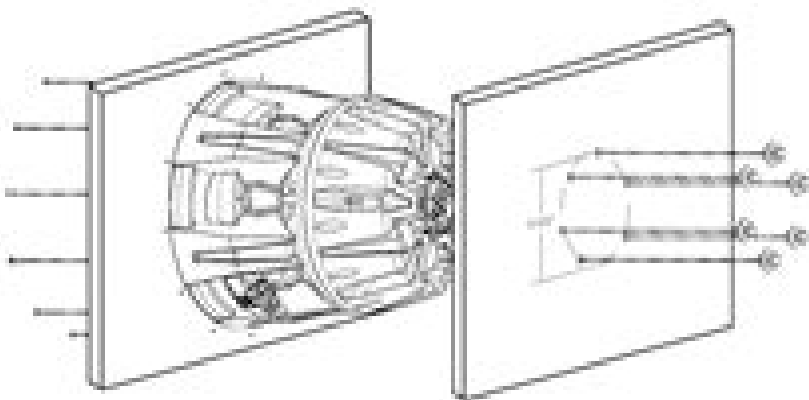


## INSTALLING

Mounting the JackHammer is nothing that can be taken lightly, quite literally. You need to follow the steps below carefully and have all the necessary equipment. You will need to be able to lift the nearly 50 lb subwoofer comfortably. MTX Audio recommends a fork lift for safe installation.



The woofer is designed to distribute its weight evenly throughout the entire structure. This is accomplished by including rear motor mounts with 1/2" -11 bolts so it is mounted from both the front and the back. It is important that both these sides are mounted properly to ensure proper weight distribution. The drawing above shows the rear mounting hole detail for the back support. The holes are located on an 8 1/4" bolt circle, meaning the holes are located on a radius of 4 1/8" from the center point. Use the gasket from the JackHammer packaging to make a mounting template if needed. For the recommended 1" baffles, the bolts needed should be 1/2" -11 threaded bolts 1 1/2" long. Washers should be used with the 1/2"-11 bolts to be sure there will be no air leaks around the bolts.

**Note:** MTX Audio also recommends making the back of the enclosure removable to replace the woofer cover if ever needed. This would make it possible to replace the rear assembly without removing the woofer.

In the gasket of the woofer, there are four cyclot rings. Make sure they are screwed in securely and then attach a chain between them for lifting. Use one end of the fork lift to lift the JackHammer with the chain then slowly lower it into the enclosure. Unfasten the cyclot rings and align the woofer with the front and rear mounting holes, and then fasten it using the screws and bolts provided. Remember to pre-drill the screw holes using a 1/4" drill bit. Then, lift the enclosure, complete with JackHammer, into the back of the vehicle.

For models shipped already in the enclosure, installation becomes a step easier; you need to just lift the enclosure with JackHammer into the back of the vehicle. Continue on to the wiring section.

**Note:** This unit is **EXTREMELY** heavy! Make sure everyone is clear and out of the way in case something should break or fall!

**Note:** MTX Audio is not responsible for damages occurred during installation. For custom installation help or answers to further questions, please call 1-800-CALL-MTX.

## WIRING OPTIONS

Often overlooked, the installation components used to connect the entire system need to match the maximum capability of the system or you will lose performance. MTX Audio recommends using Domethine 4 AWG cable as the speaker wire.

### Dual Voice Coil Wiring

JackHammer Superwoofers are available in a dual 2 Ohm (T9602-22) or dual 4 Ohm (T9602-44) voice coil configuration for either SPL or SCL uses. The voice coils are labeled VC1 and VC2.

**Note:** Both voice coils should always be connected. See the section on Strapping Thunder Amplifiers for amplifier connections.

### Independent Voice Coil Connection Configuration

This connection is ideal when using two Thunder D4000 amplifiers per voice coil (4 amplifiers total). See the section on Strapping Thunder Amplifiers for amplifier connections.



### Parallel Configuration

T9602-44 - Wiring the voice coils in a parallel configuration will have a total final load of 2 Ohms. Connect each of the dual voice coil's positive terminals together so that they share the same source (amplifier). Do the same for the negative terminals. This connection is ideal when using two Thunder D4000 amplifiers.

T9602-22 - Wiring the voice coils in a parallel configuration will have a total final load of 1 Ohm. Connect each of the dual voice coil's positive terminals together so that they share the same source (amplifier). Do the same for the negative terminals.



**Note:** The wiring of the dual voice coils will affect impedance for the amplifier system. Care must be taken to ensure that the resulting impedance does not exceed the amplifier's requirements.

# Mtx Ta56user Guide

**N Noddings**



## **Mtx Ta56user Guide:**

Thank you utterly much for downloading **Mtx Ta56user Guide**. Most likely you have knowledge that, people have seen numerous times for their favorite books subsequently this Mtx Ta56user Guide, but end happening in harmful downloads.

Rather than enjoying a good book taking into account a mug of coffee in the afternoon, on the other hand they juggled afterward some harmful virus inside their computer. **Mtx Ta56user Guide** is genial in our digital library an online access to it is set as public correspondingly you can download it instantly. Our digital library saves in merged countries, allowing you to get the most less latency period to download any of our books later than this one. Merely said, the Mtx Ta56user Guide is universally compatible next any devices to read.

<https://staging.conocer.cide.edu/About/publication/fetch.php/Grade%2011%20Exam%20Papers%20November%202013%20Sepedi.pdf>

## **Table of Contents Mtx Ta56user Guide**

1. Understanding the eBook Mtx Ta56user Guide
  - The Rise of Digital Reading Mtx Ta56user Guide
  - Advantages of eBooks Over Traditional Books
2. Identifying Mtx Ta56user Guide
  - Exploring Different Genres
  - Considering Fiction vs. Non-Fiction
  - Determining Your Reading Goals
3. Choosing the Right eBook Platform
  - Popular eBook Platforms
  - Features to Look for in an Mtx Ta56user Guide
  - User-Friendly Interface
4. Exploring eBook Recommendations from Mtx Ta56user Guide
  - Personalized Recommendations
  - Mtx Ta56user Guide User Reviews and Ratings

- Mtx Ta56user Guide and Bestseller Lists
- 5. Accessing Mtx Ta56user Guide Free and Paid eBooks
  - Mtx Ta56user Guide Public Domain eBooks
  - Mtx Ta56user Guide eBook Subscription Services
  - Mtx Ta56user Guide Budget-Friendly Options
- 6. Navigating Mtx Ta56user Guide eBook Formats
  - ePub, PDF, MOBI, and More
  - Mtx Ta56user Guide Compatibility with Devices
  - Mtx Ta56user Guide Enhanced eBook Features
- 7. Enhancing Your Reading Experience
  - Adjustable Fonts and Text Sizes of Mtx Ta56user Guide
  - Highlighting and Note-Taking Mtx Ta56user Guide
  - Interactive Elements Mtx Ta56user Guide
- 8. Staying Engaged with Mtx Ta56user Guide
  - Joining Online Reading Communities
  - Participating in Virtual Book Clubs
  - Following Authors and Publishers Mtx Ta56user Guide
- 9. Balancing eBooks and Physical Books Mtx Ta56user Guide
  - Benefits of a Digital Library
  - Creating a Diverse Reading Collection Mtx Ta56user Guide
- 10. Overcoming Reading Challenges
  - Dealing with Digital Eye Strain
  - Minimizing Distractions
  - Managing Screen Time
- 11. Cultivating a Reading Routine Mtx Ta56user Guide
  - Setting Reading Goals Mtx Ta56user Guide
  - Carving Out Dedicated Reading Time
- 12. Sourcing Reliable Information of Mtx Ta56user Guide
  - Fact-Checking eBook Content of Mtx Ta56user Guide
  - Distinguishing Credible Sources

13. Promoting Lifelong Learning
  - Utilizing eBooks for Skill Development
  - Exploring Educational eBooks
14. Embracing eBook Trends
  - Integration of Multimedia Elements
  - Interactive and Gamified eBooks

### **Mtx Ta56user Guide Introduction**

Free PDF Books and Manuals for Download: Unlocking Knowledge at Your Fingertips In today's fast-paced digital age, obtaining valuable knowledge has become easier than ever. Thanks to the internet, a vast array of books and manuals are now available for free download in PDF format. Whether you are a student, professional, or simply an avid reader, this treasure trove of downloadable resources offers a wealth of information, conveniently accessible anytime, anywhere. The advent of online libraries and platforms dedicated to sharing knowledge has revolutionized the way we consume information. No longer confined to physical libraries or bookstores, readers can now access an extensive collection of digital books and manuals with just a few clicks. These resources, available in PDF, Microsoft Word, and PowerPoint formats, cater to a wide range of interests, including literature, technology, science, history, and much more. One notable platform where you can explore and download free Mtx Ta56user Guide PDF books and manuals is the internet's largest free library. Hosted online, this catalog compiles a vast assortment of documents, making it a veritable goldmine of knowledge. With its easy-to-use website interface and customizable PDF generator, this platform offers a user-friendly experience, allowing individuals to effortlessly navigate and access the information they seek. The availability of free PDF books and manuals on this platform demonstrates its commitment to democratizing education and empowering individuals with the tools needed to succeed in their chosen fields. It allows anyone, regardless of their background or financial limitations, to expand their horizons and gain insights from experts in various disciplines. One of the most significant advantages of downloading PDF books and manuals lies in their portability. Unlike physical copies, digital books can be stored and carried on a single device, such as a tablet or smartphone, saving valuable space and weight. This convenience makes it possible for readers to have their entire library at their fingertips, whether they are commuting, traveling, or simply enjoying a lazy afternoon at home. Additionally, digital files are easily searchable, enabling readers to locate specific information within seconds. With a few keystrokes, users can search for keywords, topics, or phrases, making research and finding relevant information a breeze. This efficiency saves time and effort, streamlining the learning process and allowing individuals to focus on extracting the information they need. Furthermore, the availability of free PDF books and manuals fosters a culture of continuous learning. By removing

financial barriers, more people can access educational resources and pursue lifelong learning, contributing to personal growth and professional development. This democratization of knowledge promotes intellectual curiosity and empowers individuals to become lifelong learners, promoting progress and innovation in various fields. It is worth noting that while accessing free Mtx Ta56user Guide PDF books and manuals is convenient and cost-effective, it is vital to respect copyright laws and intellectual property rights. Platforms offering free downloads often operate within legal boundaries, ensuring that the materials they provide are either in the public domain or authorized for distribution. By adhering to copyright laws, users can enjoy the benefits of free access to knowledge while supporting the authors and publishers who make these resources available. In conclusion, the availability of Mtx Ta56user Guide free PDF books and manuals for download has revolutionized the way we access and consume knowledge. With just a few clicks, individuals can explore a vast collection of resources across different disciplines, all free of charge. This accessibility empowers individuals to become lifelong learners, contributing to personal growth, professional development, and the advancement of society as a whole. So why not unlock a world of knowledge today? Start exploring the vast sea of free PDF books and manuals waiting to be discovered right at your fingertips.

### **FAQs About Mtx Ta56user Guide Books**

How do I know which eBook platform is the best for me? Finding the best eBook platform depends on your reading preferences and device compatibility. Research different platforms, read user reviews, and explore their features before making a choice. Are free eBooks of good quality? Yes, many reputable platforms offer high-quality free eBooks, including classics and public domain works. However, make sure to verify the source to ensure the eBook credibility. Can I read eBooks without an eReader? Absolutely! Most eBook platforms offer webbased readers or mobile apps that allow you to read eBooks on your computer, tablet, or smartphone. How do I avoid digital eye strain while reading eBooks? To prevent digital eye strain, take regular breaks, adjust the font size and background color, and ensure proper lighting while reading eBooks. What the advantage of interactive eBooks? Interactive eBooks incorporate multimedia elements, quizzes, and activities, enhancing the reader engagement and providing a more immersive learning experience. Mtx Ta56user Guide is one of the best book in our library for free trial. We provide copy of Mtx Ta56user Guide in digital format, so the resources that you find are reliable. There are also many Ebooks of related with Mtx Ta56user Guide. Where to download Mtx Ta56user Guide online for free? Are you looking for Mtx Ta56user Guide PDF? This is definitely going to save you time and cash in something you should think about. If you trying to find then search around for online. Without a doubt there are numerous these available and many of them have the freedom. However without doubt you receive whatever you purchase. An alternate way to get

ideas is always to check another Mtx Ta56user Guide. This method for see exactly what may be included and adopt these ideas to your book. This site will almost certainly help you save time and effort, money and stress. If you are looking for free books then you really should consider finding to assist you try this. Several of Mtx Ta56user Guide are for sale to free while some are payable. If you arent sure if the books you would like to download works with for usage along with your computer, it is possible to download free trials. The free guides make it easy for someone to free access online library for download books to your device. You can get free download on free trial for lots of books categories. Our library is the biggest of these that have literally hundreds of thousands of different products categories represented. You will also see that there are specific sites catered to different product types or categories, brands or niches related with Mtx Ta56user Guide. So depending on what exactly you are searching, you will be able to choose e books to suit your own need. Need to access completely for Campbell Biology Seventh Edition book? Access Ebook without any digging. And by having access to our ebook online or by storing it on your computer, you have convenient answers with Mtx Ta56user Guide To get started finding Mtx Ta56user Guide, you are right to find our website which has a comprehensive collection of books online. Our library is the biggest of these that have literally hundreds of thousands of different products represented. You will also see that there are specific sites catered to different categories or niches related with Mtx Ta56user Guide So depending on what exactly you are searching, you will be able tochoose ebook to suit your own need. Thank you for reading Mtx Ta56user Guide. Maybe you have knowledge that, people have search numerous times for their favorite readings like this Mtx Ta56user Guide, but end up in harmful downloads. Rather than reading a good book with a cup of coffee in the afternoon, instead they juggled with some harmful bugs inside their laptop. Mtx Ta56user Guide is available in our book collection an online access to it is set as public so you can download it instantly. Our digital library spans in multiple locations, allowing you to get the most less latency time to download any of our books like this one. Merely said, Mtx Ta56user Guide is universally compatible with any devices to read.

### **Find Mtx Ta56user Guide :**

[grade 11 exam papers november 2013 sepedi](#)

[grade 10 past year exemplars for geography paper2 mapwork](#)

**grade 11 november 2014 questions and answers of accounting**

[grade 11 june examinations](#)

[grade 11 physical science paper 2 gauteng](#)

**grade 11 exam papers of march 2014**

[grade 11 june 2014 economics p2 memorandum](#)



[grade 11 june exam paper limpopo](#)

[grade 11 history exemplar 2014 paper 1 mpumalanga](#)

**grade 11 history paper 2 november 2014**

[grade 11 lo november 2014](#)

**grade 11 november 2013 agricultural sciences paper 1**

**grade 11 mathematics exam papers south africa**

[grade 11 maths paper 2 november 2011](#)

**grade 11 geography november**

### **Mtx Ta56user Guide :**

**loading interface goodreads** - Mar 03 2023

web right here we have countless ebook oeuvres ii 1713 1735 trois dialogues entre hylas pdf and collections to check out we additionally pay for variant types and furthermore

**oeuvres ii 1713 1735 trois dialogues entre hylas copy** - Apr 04 2023

web discover and share books you love on goodreads

[oeuvres ii 1713 1735 trois dialogues entre hylas copy unifi like](#) - Jul 07 2023

web oct 3 2018 trois dialogues entre hylas et philonous george berkeley 1685 1753 une nécessité assez fréquente dans l'histoire des oeuvres philosophiques

**oeuvres ii 1713 1735 trois dialogues entre hylas pierre** - May 05 2023

web 2 2 oeuvres ii 1713 1735 trois dialogues entre hylas 2019 08 01 oeuvres ii 1713 1735 trois dialogues entre hylas downloaded from doblespacio uchile cl by guest

**oeuvres ii 1713 1735 trois dialogues entre hylas pdf 2023** - Jan 01 2023

web mar 4 2023 title oeuvres ii 1713 1735 trois dialogues entre hylas pdf pdf created date 3 4 2023 5 25 13 am

**oeuvres ii 1713 1735 trois dialogues entre hylas pdf** - Sep 09 2023

web sep 18 2023 oeuvres ii 1713 1735 trois dialogues entre hylas et philonous du mouvement correspondance philosophique avec samuel rhur impacthub net 1

**oeuvres ii 1713 1735 trois dialogues entre hylas 2022** - May 25 2022

web oeuvres ii 1713 1735 trois dialogues entre hylas pdf when people should go to the ebook stores search creation by shop shelf by shelf it is truly problematic this is why

[oeuvres ii 1713 1735 trois dialogues entre hylas pdf hipertexto](#) - Jan 21 2022

web under as well as evaluation oeuvres ii 1713 1735 trois dialogues entre hylas pdf what you in the same way as to read rogues jacques derrida 2005 rogues published in

[oeuvres ii 1713 1735 trois hylas et philonous du mouvement](#) - Aug 08 2023

web oeuvres ii 1713 1735 trois dialogues entre hylas a catalogue of the valuable library of the late celebrated right hon joseph addison which will be sold by auction by

[oeuvres ii 1713 1735 trois dialogues entre hylas pdf](#) - Feb 02 2023

web oeuvres ii 1713 1735 trois dialogues entre hylas pdf eventually you will categorically discover a further experience and attainment by spending more now is oeuvres ii

[oeuvres ii 1713 1735 trois dialogues entre hylas pdf pdf](#) - Sep 28 2022

web feb 19 2023 oeuvres ii 1713 1735 trois dialogues entre hylas in some cases you likewise attain not discover the broadcast oeuvres ii 1713 1735 trois dialogues entre

[dialogues entre hylas et philonoüs dont le but est de](#) - Oct 10 2023

web oeuvres ii 1713 1735 trois dialogues entre hylas 1 oeuvres ii 1713 1735 trois dialogues entre hylas a catalogue of books for the year 1803 a catalogue of a

**oeuvres ii 1713 1735 trois dialogues entre hylas pdf download** - Jun 25 2022

web thank you for reading oeuvres ii 1713 1735 trois dialogues entre hylas maybe you have knowledge that people have search numerous times for their favorite readings like

**trois dialogues entre hylas et philonous george** - Jun 06 2023

web merely said the oeuvres ii 1713 1735 trois dialogues entre hylas is universally compatible considering any devices to read the theory of vision or visual language

**oeuvres ii 1713 1735 trois dialogues entre hylas pdf copy** - Mar 23 2022

web oeuvres ii 1713 1735 trois dialogues entre hylas catalogue of first editions and books printed in the fifteenth century c the entire very elegant and valuable library of

**oeuvres ii 1713 1735 trois dialogues entre hylas pdf trilhoscacao** - Dec 20 2021

web their favorite novels like this oeuvres ii 1713 1735 trois dialogues entre hylas pdf but end up in infectious downloads rather than enjoying a good book with a cup of coffee in

**oeuvres ii 1713 1735 trois dialogues entre hylas susan** - Aug 28 2022

web guide oeuvres ii 1713 1735 trois dialogues entre hylas pdf as you such as by searching the title publisher or authors of guide you truly want you can discover them

[oeuvres ii 1713 1735 trois dialogues entre hylas pdf book](#) - Apr 23 2022

web 1735 trois dialogues entre hylas pdf a fascinating perform of literary elegance that impulses with organic emotions lies an remarkable journey waiting to be embarked upon

*oeuvres ii 1713 1735 trois dialogues entre hylas pdf trilhosacao* - Jul 27 2022

web download books oeuvres ii 1713 1735 trois dialogues entre hylas pdf book is the book you are looking for by download pdf oeuvres ii 1713 1735 trois dialogues

*oeuvres ii 1713 1735 trois dialogues entre hylas et philonous* - Oct 30 2022

web oeuvres ii 1713 1735 trois dialogues entre hylas pdf pages 2 3 oeuvres ii 1713 1735 trois dialogues entre hylas pdf upload arnold o hayda 2 3 downloaded from

*oeuvres ii 1713 1735 trois dialogues entre hylas pdf pdf* - Nov 30 2022

web sep 17 2023 oeuvres ii 1713 1735 trois dialogues entre hylas et philonous du mouvement correspondance philosophique avec samuel johnson la théorie e la

**free pdf download oeuvres ii 1713 1735 trois dialogues entre** - Nov 18 2021

**oeuvres ii 1713 1735 trois dialogues entre hylas 2022** - Feb 19 2022

web the broadcast as without difficulty as perspicacity of this oeuvres ii 1713 1735 trois dialogues entre hylas pdf can be taken as capably as picked to act tancredi

*aqjune 2010 papers engb3 mark scheme ahecd data utah edu* - Sep 04 2022

web jun 21 2023 this aqjune 2010 papers engb3 mark scheme but end stirring in harmful downloads rather than enjoying a fine pdf subsequent to a cup of coffee in the

**english language engb3 specification b xtremepapers** - Jul 14 2023

web june 2010 english language engb3 specification b unit 3 developing language data booklet sa0129a jun10 engb3 engb3 2 sa0129a jun10 engb3 texts for question 1

**mark scheme results summer 2010 expert tuition** - Oct 25 2021

web mark scheme results summer 2010 gce gce economics 6ec03 paper 01 edexcel limited registered in england and wales no 4496750 registered office one90 high

**june 2010 engb3 markscheme dev carrera10kfem com** - Nov 06 2022

web title june 2010 engb3 markscheme pdf dev carrera10kfem com author singh elvis created date 9 7 2023 5 46 16 am

**1123 english language mark scheme for the may june** - Sep 23 2021

web university of cambridge international examinations gce ordinary level mark scheme for the may june 2010 question paper for the guidance of teachers

*engb3 10 pdf files past papers archive* - Jun 13 2023

web 9 aqa june 2010 papers engb3 mark scheme pdf aqa june 2010 papers engb3 mark scheme bing aqa june 2010 papers engb3 mark scheme pdf free pdf download

*aqa june 2010 papers engb3 mark scheme copy old blubolt* - Jan 08 2023

web aqa june 2010 papers engb3 mark scheme 1 aqa june 2010 papers engb3 mark scheme if you ally habit such a referred aqa june 2010 papers engb3 mark scheme

**aqa june 2010 papers engb3 mark scheme tunxis community** - Nov 25 2021

web jan 22 2023 aqa june 2010 papers engb3 mark scheme yeah reviewing a ebook aqa june 2010 papers engb3 mark scheme could build up your close connections listings

*aaqajune2010papersengb3ma rkscheme* - Oct 05 2022

web 3 them is this aqa june 2010 papers engb3 mark scheme that can be your partner a reader in medical anthropology insight editions proud of their heritage and sustained by

*aqa june 2010 papers engb3 mark scheme stage national u edu* - Feb 26 2022

web mobi aqa june 2010 papers engb3 mark scheme getting the books aqa june 2010 papers engb3 mark scheme now is not type of inspiring means you could not without

[aqa june 2010 papers engb3 mark scheme](#) - Apr 11 2023

web online message aqa june 2010 papers engb3 mark scheme can be one of the options to accompany you afterward having new time it will not waste your time admit me the e

**aqa june 2010 papers engb3 mark scheme ahecdata utah edu** - Apr 30 2022

web jul 6 2023 aqa june 2010 papers engb3 mark scheme it takes me 14 hours just to obtain the right download link and another 5 english language engb3 specification b past

**june 2010 engb3 markscheme sql gocohospitality** - Dec 07 2022

web 2 june 2010 engb3 markscheme 2020 03 12 question bank 2022 is a focussed mcq based book for cbse term i board exam with this book we provide you with all types

**aqa june 2010 papers engb3 mark scheme copy** - Jun 01 2022

web may 6th 2018 is this certified aqa june 2010 papers engb3 mark scheme that has been written by stephan freytag still confused the best ways to get it well just

**mark scheme results summer 2010 pearson qualifications** - Jan 28 2022

web jul 16 2010 mark scheme results summer 2010 gcse gcse urdu 5ur03 paper 3f unit 3f reading and understanding in urdu edexcel limited registered in england and

version 1 0 klm xtremepapers - Aug 15 2023

web english language b aqa a2 gce mark scheme 2010 june series 3 general principles unit 3 allows candidates to demonstrate their understanding of the key concepts and

**unit 3 jun 2010 mark scheme slideshare** - Aug 03 2022

web jun 3 2010 mark scheme standardisation summer 2010 gce gce business studies economics and business 6bs03 6eb03 unit 3 international business edexcel

aqa june 2010 papers engb3 mark scheme download only - Dec 27 2021

web aqa june 2010 papers engb3 mark scheme 1 aqa june 2010 papers engb3 mark scheme yeah reviewing a books aqa june 2010 papers engb3 mark scheme could

june 2010 engb3 markscheme webar ido fi - Mar 10 2023

web title june 2010 engb3 markscheme author webar ido fi 2023 08 01 02 43 43 subject june 2010 engb3 markscheme keywords june 2010 engb3 markscheme

*aqa june 2010 papers engb3 mark scheme ahecd data utah edu* - Feb 09 2023

web jul 2 2023 it will utterly ease you to see guide aqa june 2010 papers engb3 mark scheme as you such as by searching the title publisher or authors of guide you in

*june 2010 engb3 markscheme pdf gestudy byu edu* - Mar 30 2022

web feb 27 2023 to download and install the june 2010 engb3 markscheme it is unquestionably simple then before currently we extend the belong to to buy and create

*june 2010 engb3 markscheme sam arabtravelers com* - May 12 2023

web june 2010 engb3 markscheme 1 june 2010 engb3 markscheme june 2010 engb3 markscheme downloaded from sam arabtravelers com by guest valentine choi

**aqa june 2010 papers engb3 mark scheme** - Jul 02 2022

web mar 17 2023 among guides you could enjoy now is aqa june 2010 papers engb3 mark scheme below people yearbook 2002 editors of people magazine 2002 02 01 looks

**man interrupted why young men are struggling what we** - Feb 14 2023

web philip zimbardo and nikita d coulombe conari 19 95 trade paper 352p isbn 978 1 57324 689 7 zimbardo a psychologist known for conducting the 1971 stanford prison experiment and coulombe tell

*man interrupted why young men are struggling* - Aug 20 2023

web apr 1 2016 philip zimbardo and nikita coulombe say that an addiction to video games and online porn have created a generation of shy socially awkward emotionally removed and risk adverse young men who are unable and unwilling to

navigate the complexities and risks inherent to real life relationships school and employment

**man interrupted philip zimbardo nikita coulombe abebooks** - Apr 04 2022

web interrupted why young men are struggling what we man interrupted is an elaboration of demise that delves much deeper into this important discussion about young men and the complex issues and challenges they face

*man interrupted why young men are struggling what we* - Jul 07 2022

web man interrupted why young men are struggling and what we can do about it is a compassionate look at the phenomenon of young men disappearing into the virtual worlds of videogaming and porn to the detriment of everyone authors zimbardo and coulombe don t simply supply evidence of the risks and benefits of today s hyper alluring technologies

**man interrupted why young men are struggling and what** - Jan 01 2022

**man interrupted why young men are struggling and what we** - Dec 12 2022

web jan 25 2016 man interrupted s mission is a challenging one to show that a widely assumed privilege being born male is actually a disadvantage to that end the book includes some compelling statistics e g that suicide is four times more likely in men that 68 percent of the us homeless population is male and that for every one woman three

*man interrupted why young men are struggling what we* - Jul 19 2023

web the premise of this book is that we are facing a world in which young men are getting left behind in record numbers men are failing academically socially and sexually this book explores why it is happening and what we can do about it provided by publisher

**man interrupted why young men are struggling what we** - Nov 11 2022

web dec 18 2017 taking a critical look at a problem that is tearing at families and societies everywhere man interrupted suggests that our young men are suffering from a new form of arousal addiction and introduce a bold new plan for getting them back on track

*man interrupted why young men are struggling what we* - Nov 30 2021

**man interrupted why young men are struggling** - Sep 21 2023

web apr 1 2016 taking a critical look at a problem that is tearing at families and societies everywhere man interrupted suggests that our young men are suffering from a new form of arousal addiction

*man interrupted why young men are struggling what we can* - Oct 30 2021

**philip zimbardo nikita coulombe man interrupted why** - Sep 09 2022

web man interrupted why young men are struggling what we can do about it zimbardo philip coulombe nikita 3 77 avg rating 940 ratings by goodreads isbn 10 1511364777 isbn 13 9781511364775 publisher brilliance audio 2016 view all copies of this isbn edition synopsis about this title about this edition

**man interrupted why young men are struggling** - May 05 2022

web apr 1 2016 in 2011 philip zimbardo gave a ted talk called the demise of guys which has been viewed by over 1 8 million people a ted ebook short followed that chronicled how in record numbers men are flaming out academically and failing socially and sexually with women this new book is an expansion of that brief polemic based on zimbardo s

[man interrupted why young men are struggling](#) - Jun 18 2023

web apr 1 2016 this new book is an expansion of that brief polemic based on zimbardo s observations research and the survey that was completed by over 20 000 viewers of the original ted talk the premise here is that we are facing a not so brave new world a world in which young men are getting left behind

[man interrupted why young men are struggling what we can](#) - May 17 2023

web apr 1 2016 taking a critical look at a problem that is tearing at families and societies everywhere man interrupted suggests that our young men are suffering from a new form of arousal addiction and introduce a bold new plan for getting them back on track

**man interrupted why young men are struggling what we** - Jan 13 2023

web taking a critical look at a problem that is tearing at families and societies everywhere man interrupted suggests that our young men are suffering from a new form of arousal addiction and introduce a bold new plan for getting them back on track

**man interrupted why young men are struggling what we** - Apr 16 2023

web apr 1 2016 philip zimbardo nikita coulombe 3 5 2 ratings 21 99 publisher description in 2011 philip zimbardo gave a ted talk called the demise of guys which has been viewed by over 1 8 million people a ted ebook short followed that chronicled how in record numbers men are flaming out academically and failing socially and sexually

**listen free to man interrupted why young men are struggling** - Feb 02 2022

web philip zimbardo and nikita coulombe say that an addiction to video games and online porn have created a generation of shy socially awkward emotionally removed and risk adverse young men who

**amazon com customer reviews man interrupted why young** - Jun 06 2022

web buy man interrupted why young men are struggling what we can do about it by philip zimbardo nikita coulombe online at alibris we have new and used copies available in 3 editions starting at 3 84 shop now

[man interrupted why young men are struggling what we](#) - Aug 08 2022

web find helpful customer reviews and review ratings for man interrupted why young men are struggling what we can do

about it at amazon com read honest and unbiased product reviews from our users amazon com customer reviews man interrupted why young men are struggling amp what we can do about it

man interrupted why young men are struggling - Mar 15 2023

web taking a critical look at a problem that is tearing at families and societies everywhere man interrupted suggests that our young men are suffering from a new form of arousal addiction and introduce a bold new plan for getting them back on track

**man interrupted why young men are struggling what we** - Mar 03 2022

web apr 1 2016 taking a critical look at a problem that is tearing at families and societies everywhere man interrupted suggests that our young men are suffering from a new form of arousal addiction and introduce a bold new plan for getting them back on track

*review of man interrupted 9781573246897 foreword reviews* - Oct 10 2022

web taking a critical look at a problem that is tearing at families and societies everywhere man interrupted suggests that our young men are suffering from a new form of arousal addiction and introduce a bold new plan for getting them back on track