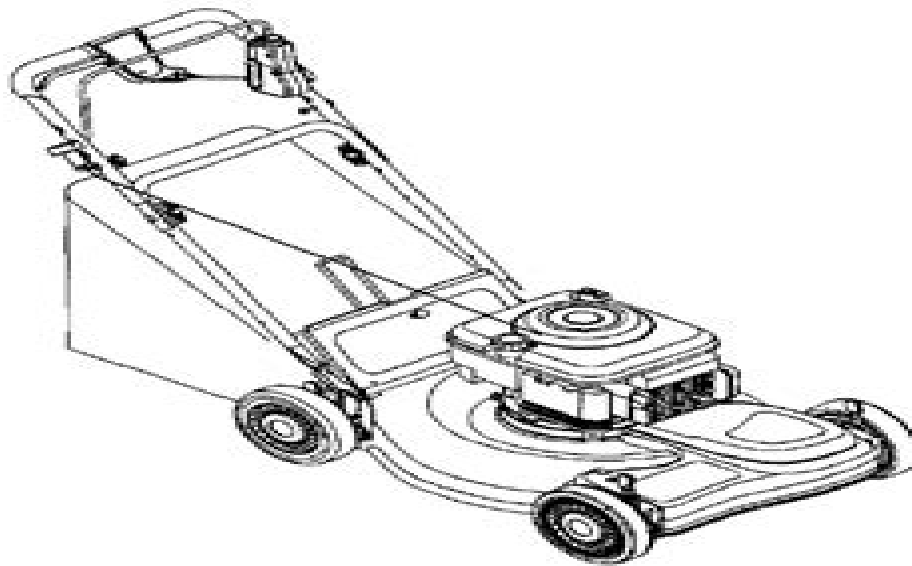




Operator's Manual



21" Self Starter Rear-Discharge Lawn Mower

Model Series

12A-449T402

IMPORTANT: Read safety rules and instructions carefully before operating equipment.

Warning: This unit is equipped with an internal combustion engine and should not be used on or near any unimproved forest-covered, brush-covered or grass-covered land unless the engine's exhaust system is equipped with a spark arrester meeting applicable local or state laws (if any). If a spark arrester is used, it should be maintained in effective working order by the operator. In the State of California the above is required by law (Section 4442 of the California Public Resources Code). Other states may have similar laws. Federal laws apply on federal lands. A spark arrester for the muffler is available through your nearest engine authorized service dealer or contact the service department, P.O. Box 368022 Cleveland, Ohio 44136-9722.

MTD PRODUCTS INC. P.O. BOX 368022 CLEVELAND, OHIO 44136-9722

ECO #
PRINTED IN U.S.A.

FORM NO. 770-10545.fm
(4/2001)

Mtd Lawn Mower Engine Manual

Yijin Wang



Mtd Lawn Mower Engine Manual:

Walk Behind Lawn Mower Service Manual ,1987 **Public Works Manual** ,1991 **Popular Mechanics** ,1974-03 Popular Mechanics inspires instructs and influences readers to help them master the modern world Whether it s practical DIY home improvement tips gadgets and digital technology information on the newest cars or the latest breakthroughs in science PM is the ultimate guide to our high tech lifestyle **The Small-Engine Handbook** Peter Hunn,2005 Peter Hunn It s common for homeowners to have 2 or 4 cycle small engines in their lawn and garden equipment utility vehicles recreational vehicles generators and other machines With this easy to follow richly illustrated handbook homeowners will be able to understanding small engines troubleshooting them and working on them The book has a brief history of significant and popular small engines and a guide to setting up a home workshop in which to work on them It also includes case studies on the disassembly maintenance repair and or rebuilding of a 2 stroke lawnmower engine a 4 stroke utility motor a 2 stroke chainsaw engine and a curbside junker The writing is lively and entertaining and the color photos clearly show how to work on these useful engines How to Make Big Money Mowing Small Lawns Robert A. Welcome,2008-05-22 A COMPLETE GUIDE Recommended for Ages 15 and Older This book explains how to start and operate your own lawn mowing business It shows the easiest ways to get customers How to set prices How to make the most income per hour of work How to keep a simple schedule and much more Tells you everything you need to know When done on a part time basis there are no tight schedules Grass can be cut at your own convenience without interfering with other activities Grass grows and work is available during three seasons of the year There is practically no investment if you already have a mower Expected earnings can be three to four times higher than the minimum wage rate of pay sometimes much more

Ohio Curriculum Materials, 1987 Catalog ,1987 **Consumers Digest** ,2001 **Popular Science** ,1973-03 Popular Science gives our readers the information and tools to improve their technology and their world The core belief that Popular Science and our readers share The future is going to be better and science and technology are the driving forces that will help make it better PS, the Preventive Maintenance Monthly ,1954 The Preventive Maintenance Monthly is an official publication of the Army providing information for all soldiers assigned to combat and combat duties The magazine covers issues concerning maintenance maintenance procedures and supply problems **The Publishers' Trade List Annual** ,1985 Popular Science ,1975-05 Popular Science gives our readers the information and tools to improve their technology and their world The core belief that Popular Science and our readers share The future is going to be better and science and technology are the driving forces that will help make it better The Federal Reporter ,1981 **Popular Science** ,1975

The Buying Guide 2004 Consumer Reports,2003-11-29 Whatever your shopping style diligent researcher casual browser or determined time saver Consumer Reports is there with its all new 2004 edition of The Buying Guide Trusted product reviews comparisons test results and Ratings of over 800 products combined with the expertise of Consumer Reports

will help you in making your buying decisions for the entire year **Product Safety & Liability Reporter** ,1996

Popular Science ,1975-05 Popular Science gives our readers the information and tools to improve their technology and their world The core belief that Popular Science and our readers share The future is going to be better and science and technology are the driving forces that will help make it better **Hardware Age** ,1971-07 **American Law of Products Liability, 3d** ,1987 **Farmers and Consumers Market Bulletin** ,2007 **Consumers Index to Product Evaluations and Information Sources** Pierian Press,1996-03

Yeah, reviewing a ebook **Mtd Lawn Mower Engine Manual** could build up your close contacts listings. This is just one of the solutions for you to be successful. As understood, success does not recommend that you have fantastic points.

Comprehending as without difficulty as concord even more than additional will give each success. next to, the declaration as well as sharpness of this Mtd Lawn Mower Engine Manual can be taken as without difficulty as picked to act.

<https://staging.conocer.cide.edu/results/scholarship/Documents/flat%20126p%20owner%20s%20manual.pdf>

Table of Contents Mtd Lawn Mower Engine Manual

1. Understanding the eBook Mtd Lawn Mower Engine Manual
 - The Rise of Digital Reading Mtd Lawn Mower Engine Manual
 - Advantages of eBooks Over Traditional Books
2. Identifying Mtd Lawn Mower Engine Manual
 - Exploring Different Genres
 - Considering Fiction vs. Non-Fiction
 - Determining Your Reading Goals
3. Choosing the Right eBook Platform
 - Popular eBook Platforms
 - Features to Look for in an Mtd Lawn Mower Engine Manual
 - User-Friendly Interface
4. Exploring eBook Recommendations from Mtd Lawn Mower Engine Manual
 - Personalized Recommendations
 - Mtd Lawn Mower Engine Manual User Reviews and Ratings
 - Mtd Lawn Mower Engine Manual and Bestseller Lists
5. Accessing Mtd Lawn Mower Engine Manual Free and Paid eBooks
 - Mtd Lawn Mower Engine Manual Public Domain eBooks
 - Mtd Lawn Mower Engine Manual eBook Subscription Services

- Mtd Lawn Mower Engine Manual Budget-Friendly Options
- 6. Navigating Mtd Lawn Mower Engine Manual eBook Formats
 - ePub, PDF, MOBI, and More
 - Mtd Lawn Mower Engine Manual Compatibility with Devices
 - Mtd Lawn Mower Engine Manual Enhanced eBook Features
- 7. Enhancing Your Reading Experience
 - Adjustable Fonts and Text Sizes of Mtd Lawn Mower Engine Manual
 - Highlighting and Note-Taking Mtd Lawn Mower Engine Manual
 - Interactive Elements Mtd Lawn Mower Engine Manual
- 8. Staying Engaged with Mtd Lawn Mower Engine Manual
 - Joining Online Reading Communities
 - Participating in Virtual Book Clubs
 - Following Authors and Publishers Mtd Lawn Mower Engine Manual
- 9. Balancing eBooks and Physical Books Mtd Lawn Mower Engine Manual
 - Benefits of a Digital Library
 - Creating a Diverse Reading Collection Mtd Lawn Mower Engine Manual
- 10. Overcoming Reading Challenges
 - Dealing with Digital Eye Strain
 - Minimizing Distractions
 - Managing Screen Time
- 11. Cultivating a Reading Routine Mtd Lawn Mower Engine Manual
 - Setting Reading Goals Mtd Lawn Mower Engine Manual
 - Carving Out Dedicated Reading Time
- 12. Sourcing Reliable Information of Mtd Lawn Mower Engine Manual
 - Fact-Checking eBook Content of Mtd Lawn Mower Engine Manual
 - Distinguishing Credible Sources
- 13. Promoting Lifelong Learning
 - Utilizing eBooks for Skill Development
 - Exploring Educational eBooks
- 14. Embracing eBook Trends

- Integration of Multimedia Elements
- Interactive and Gamified eBooks

Mtd Lawn Mower Engine Manual Introduction

In today's digital age, the availability of Mtd Lawn Mower Engine Manual books and manuals for download has revolutionized the way we access information. Gone are the days of physically flipping through pages and carrying heavy textbooks or manuals. With just a few clicks, we can now access a wealth of knowledge from the comfort of our own homes or on the go. This article will explore the advantages of Mtd Lawn Mower Engine Manual books and manuals for download, along with some popular platforms that offer these resources. One of the significant advantages of Mtd Lawn Mower Engine Manual books and manuals for download is the cost-saving aspect. Traditional books and manuals can be costly, especially if you need to purchase several of them for educational or professional purposes. By accessing Mtd Lawn Mower Engine Manual versions, you eliminate the need to spend money on physical copies. This not only saves you money but also reduces the environmental impact associated with book production and transportation. Furthermore, Mtd Lawn Mower Engine Manual books and manuals for download are incredibly convenient. With just a computer or smartphone and an internet connection, you can access a vast library of resources on any subject imaginable. Whether you're a student looking for textbooks, a professional seeking industry-specific manuals, or someone interested in self-improvement, these digital resources provide an efficient and accessible means of acquiring knowledge. Moreover, PDF books and manuals offer a range of benefits compared to other digital formats. PDF files are designed to retain their formatting regardless of the device used to open them. This ensures that the content appears exactly as intended by the author, with no loss of formatting or missing graphics. Additionally, PDF files can be easily annotated, bookmarked, and searched for specific terms, making them highly practical for studying or referencing. When it comes to accessing Mtd Lawn Mower Engine Manual books and manuals, several platforms offer an extensive collection of resources. One such platform is Project Gutenberg, a nonprofit organization that provides over 60,000 free eBooks. These books are primarily in the public domain, meaning they can be freely distributed and downloaded. Project Gutenberg offers a wide range of classic literature, making it an excellent resource for literature enthusiasts. Another popular platform for Mtd Lawn Mower Engine Manual books and manuals is Open Library. Open Library is an initiative of the Internet Archive, a non-profit organization dedicated to digitizing cultural artifacts and making them accessible to the public. Open Library hosts millions of books, including both public domain works and contemporary titles. It also allows users to borrow digital copies of certain books for a limited period, similar to a library lending system. Additionally, many universities and educational institutions have their own digital libraries that provide free access to PDF books and manuals. These libraries often offer academic texts, research papers, and technical manuals, making them

invaluable resources for students and researchers. Some notable examples include MIT OpenCourseWare, which offers free access to course materials from the Massachusetts Institute of Technology, and the Digital Public Library of America, which provides a vast collection of digitized books and historical documents. In conclusion, Mtd Lawn Mower Engine Manual books and manuals for download have transformed the way we access information. They provide a cost-effective and convenient means of acquiring knowledge, offering the ability to access a vast library of resources at our fingertips. With platforms like Project Gutenberg, Open Library, and various digital libraries offered by educational institutions, we have access to an ever-expanding collection of books and manuals. Whether for educational, professional, or personal purposes, these digital resources serve as valuable tools for continuous learning and self-improvement. So why not take advantage of the vast world of Mtd Lawn Mower Engine Manual books and manuals for download and embark on your journey of knowledge?

FAQs About Mtd Lawn Mower Engine Manual Books

How do I know which eBook platform is the best for me? Finding the best eBook platform depends on your reading preferences and device compatibility. Research different platforms, read user reviews, and explore their features before making a choice. Are free eBooks of good quality? Yes, many reputable platforms offer high-quality free eBooks, including classics and public domain works. However, make sure to verify the source to ensure the eBook credibility. Can I read eBooks without an eReader? Absolutely! Most eBook platforms offer webbased readers or mobile apps that allow you to read eBooks on your computer, tablet, or smartphone. How do I avoid digital eye strain while reading eBooks? To prevent digital eye strain, take regular breaks, adjust the font size and background color, and ensure proper lighting while reading eBooks. What the advantage of interactive eBooks? Interactive eBooks incorporate multimedia elements, quizzes, and activities, enhancing the reader engagement and providing a more immersive learning experience. Mtd Lawn Mower Engine Manual is one of the best book in our library for free trial. We provide copy of Mtd Lawn Mower Engine Manual in digital format, so the resources that you find are reliable. There are also many Ebooks of related with Mtd Lawn Mower Engine Manual. Where to download Mtd Lawn Mower Engine Manual online for free? Are you looking for Mtd Lawn Mower Engine Manual PDF? This is definitely going to save you time and cash in something you should think about. If you trying to find then search around for online. Without a doubt there are numerous these available and many of them have the freedom. However without doubt you receive whatever you purchase. An alternate way to get ideas is always to check another Mtd Lawn Mower Engine Manual. This method for see exactly what may be included and adopt these ideas to your book. This site will almost certainly help you save time and effort, money and stress. If you are looking for free books then you really should consider finding to assist you try this. Several of Mtd Lawn Mower Engine Manual are for sale to free while some are payable. If you arent sure if the books

you would like to download works with for usage along with your computer, it is possible to download free trials. The free guides make it easy for someone to free access online library for download books to your device. You can get free download on free trial for lots of books categories. Our library is the biggest of these that have literally hundreds of thousands of different products categories represented. You will also see that there are specific sites catered to different product types or categories, brands or niches related with Mtd Lawn Mower Engine Manual. So depending on what exactly you are searching, you will be able to choose e books to suit your own need. Need to access completely for Campbell Biology Seventh Edition book? Access Ebook without any digging. And by having access to our ebook online or by storing it on your computer, you have convenient answers with Mtd Lawn Mower Engine Manual To get started finding Mtd Lawn Mower Engine Manual, you are right to find our website which has a comprehensive collection of books online. Our library is the biggest of these that have literally hundreds of thousands of different products represented. You will also see that there are specific sites catered to different categories or niches related with Mtd Lawn Mower Engine Manual So depending on what exactly you are searching, you will be able to choose ebook to suit your own need. Thank you for reading Mtd Lawn Mower Engine Manual. Maybe you have knowledge that, people have search numerous times for their favorite readings like this Mtd Lawn Mower Engine Manual, but end up in harmful downloads. Rather than reading a good book with a cup of coffee in the afternoon, instead they juggled with some harmful bugs inside their laptop. Mtd Lawn Mower Engine Manual is available in our book collection an online access to it is set as public so you can download it instantly. Our digital library spans in multiple locations, allowing you to get the most less latency time to download any of our books like this one. Merely said, Mtd Lawn Mower Engine Manual is universally compatible with any devices to read.

Find Mtd Lawn Mower Engine Manual :

[fiat 126p owner s manual](#)

fh680v service manual

fetal pig dissection lab report 36a

~~fiat panda service light reset~~

~~fiche de lecture en attendant godot de samuel beckett complegravete~~

fiat 127 owners manual instant

[fet colleges in durban to rewrite matric 2015](#)

~~fiche de lecture la machine infernale de jean cocteau complegravete~~

[festo process automation manual](#)

fiat 420 manual

[fetal pig lab guide key](#)

[fet college nated engineering question papers](#)

[fiat spider 2000 repair manual](#)

[fiat allis 8 crawler dozer workshop manual](#)

[fiat croma repair manual](#)

Mtd Lawn Mower Engine Manual :

rental rate blue book for construction equipment pdf - Mar 29 2022

web jul 17 2023 rental rate blue book for construction equipment pdf blue book rental rate blue book for construction equipment published by equipment watch a

rental rate blue book for construction equipment volume 3 for - Jan 07 2023

web rental rate blue book for construction equipment volume 3 for equipment 11 to 20 years old worldcat org rental rate blue book for construction equipment volume 3

rental rate blue book cost recovery equipmentwatch - Aug 14 2023

web the rental rate blue book is a comprehensive guide to cost recovery for construction equipment rates listed in the rental rate blue book are intended as a guide to determine the amount an equipment owner should charge in order to recover

[florida department of transportation](#) - Jul 01 2022

web work and 50 of the rental rate blue book for the time the equipment is directed to standby and remain on the project site to be calculated as indicated below the

[recent rental rate blue book updates don t leave](#) - Dec 06 2022

web click here to explore the updated rental rate blue book to learn more about the rental rate blue book updates and ensure that you are optimizing your reimbursement

the blue book building construction network captcha - Aug 02 2022

web contractors equipment rental sales service conveyors portable truck mounted cranes dewatering pumps dump trucks dump trailers engines gas diesel

the blue book building construction network equipment - Sep 03 2022

web audio visual equipment supplies booths spray painting compactors refuse drafting equipment supplies food service equipment gasoline station equip installation

[what is rental rate blue book glossary the heavy](#) - Mar 09 2023

web the rental rate blue book is a critical part of the construction ecosystem as a data product it s primary use case is to

enable friction free reimbursement of extra work force

real estate renovation costs in istanbul the wandering investor - Dec 26 2021

web aug 14 2021 overview istanbul real estate renovation costs in june i decided to contact keith to ask him how the renovation went whether he had met the deadlines

equipment rates us forest service - Feb 08 2023

web 2011 rental rate blue book 10 overhead 6 profit end of equipment rates labor rates region labor rates labor rates davis bacon payroll loading 10

equipment rental rates contract administration construction - Nov 05 2022

web development of blue book equipment rental rates the developer of the blue book accumulates all contractor costs for owning a piece of equipment for an entire year

construction equipment rental rates kuotabisa - Feb 25 2022

web whether you rent compact construction equipment such as skid steer loaders compact track loaders multi terrain loaders or choose full size equipment such as excavators

rental costs in istanbul cct investments - Nov 24 2021

web mar 11 2016 rental prices have risen in the turkish city istanbul in the recent years and the rent of an apartment is 1100 tl per month after it was rented ten years ago by about

equipment manager ownership operating costs - May 11 2023

web thousands of contractors and project owners trust our rental rate blue book rates to reimburse equipment ownership and operating costs incurred during extra work our

turkey average office rental rates İstanbul 2021 statista - Jan 27 2022

web jul 25 2022 prime yields of commercial property in the uk 2023 by property type office rents of grade a and b property in wales uk 2019 by area prime office rental rate per

rental rate blue book and green book what are the - Apr 10 2023

web in short the green book should be used to benchmark the cost of renting equipment and to aid in making the decision to use owned vs rented equipment the cost of ownership

blue book equipment rental rate guide - May 31 2022

web feb 6 2023 equipmentwatch provides data for construction equipment lift trucks and ag equipment equipment costs values prices year verification rental rates

rental rate blue book for equipment cost recovery - Jul 13 2023

web instantly access the rental rate blue book reimbursement rates specified for extra work by hundreds of public private

project owners understand your costs clearly

rental rate blue book for construction equipment the standard - Jun 12 2023

web rental rate blue book for construction equipment the standard reference for rental rates on all classes of construction and equipment volume 1 contributor

higher hourly cost compensation for heavy equipment used in - Oct 04 2022

web federal highway administration fhwa rate which is based on rental rate blue book data the fhwa rate is an hourly rate based on monthly rental rate blue book data

blue book bc road builders equipment rental rate - Apr 29 2022

web the blue book equipment rental rate guide is published annually by the bc roads builders and heavier construction network in partnership with the provincial ministry

property prices in istanbul turkey numbeo - Oct 24 2021

web price to rent ratio city centre 16 26 price to rent ratio outside of centre 13 94 gross rental yield city centre 6 15 gross rental yield outside of centre 7 17

demand letter to return property free template 2023 personal - Dec 31 2021

web in this article learn like to indite adenine demand letter requesting the return of your anwesen sees a sample needs letters and how about what they can do after transmit a demand letter did you get we have a free tooling powered by

demand letter to return property free template real and personal - Nov 10 2022

web here are at minimal eight reasons why it should send a demand letter to return property before taking legal action depending on and nation you are filing a proceedings in you may be required up demand payment from the other party before filing

demand letter for return of personal property pdfiller - May 04 2022

web a demand letter for return is a formal letter that is sent to a person or entity requesting the return of something that is owed or belongs to you it should include the following information 1 your contact information your name

personal property demand letter pdf word failure to return - Feb 01 2022

web feb 2 2023 a personal property demand letter is a document that asks an individual alternatively entity to return one piece of personal property to its rightful store these scholarship are official which means you can use them to mention they are given legal action use our template below to start creating personal property demand letters

demand letter for return of personal property form signnow - Nov 29 2021

web a personal property demand letter officially requests items to be returned from one individual or entity to its rightful owner the letter is commonly designed to describe why the item is under unlawful possession and to whom it should be

returned in this video we ll discuss the importance of drafting personal property demand letters as well as [return of personal property demand letter](#) - Mar 14 2023

web i we demand that you return the aforementioned property immediately you are not entitled to have or keep my property and you legally must return it at your expense failure to respond to comply with this demand will result in legal action against you all legal rights and remedies will be explored

[request to return personal property eforms](#) - Jun 17 2023

web as already mentioned this demand letter for personal property serves as official notice to you and may be tendered in court as evidence of your failure to return the property if legal action is to occur to resolve this matter it may involve having you pay attorney s fees

demand letter to return property free template free free personal - Mar 02 2022

web if you belief that your property is been false taken press hold from your composition adenine requests letter can be an effective way into request the return of you property in this article learn how to write a demand schreiben requesting aforementioned return von thy property see a sample demand letter and learn concerning what you can do after

[free personal property demand letter pdf word eforms](#) - Apr 15 2023

web aug 24 2023 create document updated august 24 2023 a personal property demand letter is an official request for items owned by an individual or other entity the demand should include proof or describe the reason why the personal property is not under the ownership of the person of the current person or entity in possession

free personal property demand letter sample word template - May 16 2023

web a personal property demand letter is a document which requests an individual return a piece of personal property to its rightful owner these letters are considered formal even to the point where you mention you are considering legal action

[personal property demand letter pdf word legal templates](#) - Sep 20 2023

web feb 2 2023 a personal property demand letter is a document that asks an individual or entity to return a piece of personal property to its rightful owner these letters are official which means you can use them to mention you are considering legal action use our template below to start creating personal property demand letters

[demand letter to return property free template](#) - Jan 12 2023

web in this piece learn how to write a demand letter requesting the return of your property see a sample demand post and learn about what i can do after sending an demand letter did you know we have a free tool powered by ai that aids you create a demand letter check out our requirement letter tool

personal property demand letter pdf word guides - Sep 08 2022

web feb 2 2023 a personal property demand letter is a document that asks an customizable or entity to return a pieces of

personal lot to its rightful owner this write are official which means you better apply them to mention you exist considering legitimate action

personal property demand letter pdf word return of personal - Apr 03 2022

web save your hard earned monies and set with legal preview an personal property demand letter is an official request used items owned until an individual or extra entity the demand should include proof or depict the reason why the personal

personal property demand letter eforms - Dec 11 2022

web request to return personal property from name of sender address city state zipcode date dear recipient this is an official notice to make it known that you are in unlawful possession of the following property details of property i owner of personal property demand that you return the

demand letter to return personal property free sample - Oct 09 2022

web a personal property demand letter also known as a letter of demand for personal property or demand for return of personal property letter is a written communication sent to someone who is in possession of your personal belongings or property that you wish to retrieve

[demand letter for personal property return pdf](#) - Oct 29 2021

web jan 19 2023 demand letter for personal property return is easily reached in our digital library an online entrance to it is set as public consequently you can download it instantly

demand letter to return property free template people clerk - Aug 19 2023

web sep 24 2023 a demand letter signals to the person that took your property that you are serious about resolving the dispute and that you are willing to take action sending a written demand letter assures you there is a record of your attempt to settle so while demands can be made orally we recommend making any demands in writing

personal property demand letter docformats com - Feb 13 2023

web legal personal property demand letter a personal property demand letter is an official appeal to get items belonging to a person or another entity when writing this letter you need to describe or show why the personal property doesn't belong to the individual or entity who possesses the property

letter for return of personal property how to templates - Jul 18 2023

web a demand for return of personal property letter is sent with the intention of repossessing your property without legal intervention this is a measure you take to solve an issue harmoniously with everyone's best interest at heart tips to write a powerful demand letter for return of personal property

return of personal property letter template fill out sign - Jul 06 2022

web send demand letter for return of personal property via email link or fax you can also download it export it or print it out

01 edit your sample demand letter for return of personal property online type text add images blackout confidential details add comments highlights and more

[demand letter to return property free template personal property](#) - Aug 07 2022

web in this article learn how to write a demand letter requesting the return of your property show one sample demand missive and learn about what you can achieve after sending a demand letter did you know we have a free tool powered by ai that helps her create a demand letter

personal property demand letter pdf word personal property demand - Jun 05 2022

web personal and family whole of our legal contracts and documents are drafted and regularly updated by us licensed in their respective jurisdictions paralegals instead subject matter experts save their hard earned money furthermore time because legal templates

le mie vite in gioco ian sagar alessandro camagni - Jun 02 2023

web le mie vite in gioco o 3 rate da 4 43 senza interessi era il 1999 quando il diciassettenne ian sagar chiese a un suo amico di sheffield un paesino del profondo nord inglese cuore delle lotte dei minatori di fargli provare il motorino appena comprato

le mie vite in gioco 9788867832330 cultura - Apr 19 2022

web mezz ora dopo la vita di sagar prende una piega da cui non si può tornare indietro una caduta la rottura del midollo spinale la carrozzina da quel momento il mondo cambia bisogna adattarsi a una nuova realtà e imparare tutto da capo

[le mie vite in gioco 2023 cyberlab sutd edu sg](#) - Feb 15 2022

web il libro delle mie vite may 16 2023 nell arco di undici anni aleksandar hemon ha composto un autobiografia in quindici stazioni che hanno la lucidità del saggio la pienezza del romanzo di formazione e la tagliente intelligenza di una lingua che

ian sagar le mie vite in gioco add editore - Jul 03 2023

web feb 20 2019 le mie vite in gioco argomenti sport era il 1999 quando il diciassettenne ian sagar chiese a un suo amico di sheffield un paesino del profondo nord inglese cuore delle lotte dei minatori di fargli provare il motorino appena comprato

le mie vite in gioco ian sagar ebook mondadori store - May 01 2023

web mezz ora dopo la vita di sagar prende una piega da cui non si può tornare indietro una caduta la rottura del midollo spinale la carrozzina da quel momento il mondo cambia bisogna adattarsi a una nuova realtà e imparare tutto da capo

[le mie vite in gioco add editore](#) - May 21 2022

web le mie vite in gioco il libro del progetto era esaltante la gente si scontrava cadeva si sentiva il rumore del ferro delle dettagli del progetto dove possibile si organizzerà un incontro con la casa editrice per condividere i lavori e le contenuti extra *mie vite gioco abebooks* - Oct 26 2022

web mie vite in gioco le by sagar ian and a great selection of related books art and collectibles available now at abebooks

com

le mie vite in gioco ian sagar e alessandro camagni add - Jan 29 2023

web le mie vite in gioco era il 1999 quando il diciassettenne ian sagar chiese a un suo amico di sheffield un paesino del profondo nord inglese cuore delle lotte dei minatori di fargli provare il motorino appena comprato

ian sagar a sky sport24 le mie vite in gioco youtube - Sep 24 2022

web ian sagar presenta il suo libro le mie vite in gioco a pomeriggio sky sport4 con sara benci immagini di sky sport

le mie vite in gioco by ian sagar goodreads - Aug 04 2023

web read reviews from the world s largest community for readers È il 1999 quando ian sagar diciassettenne chiede a un suo amico di fargli provare il motorin

9788867832217 le mie vite in gioco sagar ian 8867832212 - Nov 26 2022

web le mie vite in gioco di sagar ian su abebooks it isbn 10 8867832212 isbn 13 9788867832217 add editore 2019 brossura

le mie vite in gioco ian sagar alessandro camagni libreria ibs - Sep 05 2023

web le mie vite in gioco è un libro di ian sagar alessandro camagni pubblicato da add editore nella collana sport acquista su ibs a 13 30

le mie vite in gioco amazon fr - Feb 27 2023

web le mie vite in gioco sagar ian camagni alessandro amazon fr livres passer au contenu principal fr bonjour entrez votre adresse toutes nos catégories sélectionnez la section dans laquelle vous souhaitez faire votre recherche rechercher amazon fr bonjour identifiez vous compte et listes retours et commandes panier toutes

le mie vite in gioco 9788867832217 abebooks - Dec 28 2022

web abebooks com le mie vite in gioco 9788867832217 and a great selection of similar new used and collectible books available now at great prices

le mie vite in gioco ian sagar alessandro camagni lafeltrinelli - Jun 21 2022

web le mie vite in gioco è un libro di ian sagar alessandro camagni pubblicato da add editore nella collana sport acquista su lafeltrinelli a 13 30 aggiungi l articolo in lista

le mie vite in gioco by ian sagar ebook barnes noble - Mar 31 2023

web feb 20 2019 È il 1999 quando ian sagar diciassettenne chiede a un suo amico di fargli provare il motorino appena comprato mezz ora dopo la vita di sagar

le mie vite in gioco libreria universitaria - Jul 23 2022

web era il 1999 quando il diciassettenne ian sagar chiese a un suo amico di sheffield un paesino del profondo nord inglese cuore delle lotte dei minatori di fargli provare il motorino appena comprato mezzora dopo la vita di sagar aveva preso una

piega nuova e definitiva una caduta la rottura del midollo spinale la carrozzina

pdf le mie vite in gioco by ian sagar perlego - Aug 24 2022

web mezz ora dopo la vita di sagar prende una piega da cui non si può tornare indietro una caduta la rottura del midollo spinale la carrozzina da quel momento il mondo cambia bisogna adattarsi a una nuova realtà e imparare tutto da capo

amazon it le mie vite in gioco sagar ian camagni - Oct 06 2023

web era il 1999 quando il diciassettenne ian sagar chiese a un suo amico di sheffield un paesino del profondo nord inglese cuore delle lotte dei minatori di fargli provare il motorino appena comprato mezzora dopo la vita di sagar aveva preso una piega nuova e definitiva una caduta la rottura del midollo spinale la carrozzina

le mie vite in gioco la storia di come ian sagar è diventato un - Mar 19 2022

web nov 3 2023 tipografia medium default pubblicato da add editore il libro racconta la vita di questo pluricampione dalla sua adolescenza nella campagna inglese all'incidente che lo ha reso paraplegico al percorso di rinascita e conquista di vette sportive ian sagar è