

## CONTROLES E COMANDOS

### Alavanca de comando da caixa de mudanças

O engate das marchas se consegue com o posicionamento da alavanca segundo o esquema da figura (o ideograma aparece na sua empunhadura).

Para engrenar a marcha à ré (o veículo deve estar parado), pisar no pedal da embreagem até o fim do curso, aguardar alguns segundos e, só então, deslocar a alavanca, partindo da posição neutra, para a direita e para trás. Com este procedimento, tem-se um engate mais suave da marcha.

### Acendedor de cigarros

Para utilizar o acendedor de cigarros, pressione-o em sua sede e aguarde alguns segundos até que retorne à posição inicial, pronto para ser usado. Caso não retorne automaticamente, retire-o e procure uma Concessionária Fiat. Após a sua utilização, recoloque-o de imediato em seu lugar. Manuseie-o apenas pela parte envolvida por borracha.

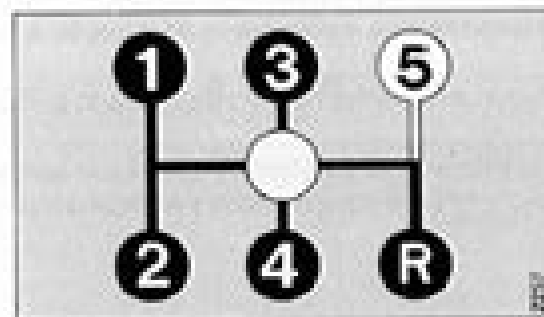
### Freio de estacionamento

Para acionar o freio de estacionamento, suspenda a alavanca que se encontra entre os bancos dianteiros.

Para destravá-lo, erga ligeiramente a alavanca, pressione o botão e abaixe-a. Com o freio de estacionamento acionado e a chave de ignição em MAR, a luz indicadora (P) permanecerá acesa no quadro de instrumentos.

### Atenção:

Ao estacionar o veículo, lembre-se sempre de puxar o freio de estacionamento e virar as rodas em direção ao meio fio (guia) do passeio. Em ruas em declive, a ação apenas do freio de estacionamento poderá não ser suficiente; neste caso, além das recomendações acima, engrene a 1ª marcha.



# Manual Fiat Uno

**L Cohen**



**Manual Fiat Uno:**

Fuel your quest for knowledge with Learn from is thought-provoking masterpiece, **Manual Fiat Uno** . This educational ebook, conveniently sized in PDF ( PDF Size: \*), is a gateway to personal growth and intellectual stimulation. Immerse yourself in the enriching content curated to cater to every eager mind. Download now and embark on a learning journey that promises to expand your horizons. .

[https://staging.conocer.cide.edu/book/detail/default.aspx/extreme\\_aggression\\_volume\\_one\\_tales\\_of\\_extreme\\_sex\\_english\\_editi\\_on.pdf](https://staging.conocer.cide.edu/book/detail/default.aspx/extreme_aggression_volume_one_tales_of_extreme_sex_english_editi_on.pdf)

## **Table of Contents Manual Fiat Uno**

1. Understanding the eBook Manual Fiat Uno
  - The Rise of Digital Reading Manual Fiat Uno
  - Advantages of eBooks Over Traditional Books
2. Identifying Manual Fiat Uno
  - Exploring Different Genres
  - Considering Fiction vs. Non-Fiction
  - Determining Your Reading Goals
3. Choosing the Right eBook Platform
  - Popular eBook Platforms
  - Features to Look for in an Manual Fiat Uno
  - User-Friendly Interface
4. Exploring eBook Recommendations from Manual Fiat Uno
  - Personalized Recommendations
  - Manual Fiat Uno User Reviews and Ratings
  - Manual Fiat Uno and Bestseller Lists
5. Accessing Manual Fiat Uno Free and Paid eBooks
  - Manual Fiat Uno Public Domain eBooks
  - Manual Fiat Uno eBook Subscription Services

- Manual Fiat Uno Budget-Friendly Options
- 6. Navigating Manual Fiat Uno eBook Formats
  - ePub, PDF, MOBI, and More
  - Manual Fiat Uno Compatibility with Devices
  - Manual Fiat Uno Enhanced eBook Features
- 7. Enhancing Your Reading Experience
  - Adjustable Fonts and Text Sizes of Manual Fiat Uno
  - Highlighting and Note-Taking Manual Fiat Uno
  - Interactive Elements Manual Fiat Uno
- 8. Staying Engaged with Manual Fiat Uno
  - Joining Online Reading Communities
  - Participating in Virtual Book Clubs
  - Following Authors and Publishers Manual Fiat Uno
- 9. Balancing eBooks and Physical Books Manual Fiat Uno
  - Benefits of a Digital Library
  - Creating a Diverse Reading Collection Manual Fiat Uno
- 10. Overcoming Reading Challenges
  - Dealing with Digital Eye Strain
  - Minimizing Distractions
  - Managing Screen Time
- 11. Cultivating a Reading Routine Manual Fiat Uno
  - Setting Reading Goals Manual Fiat Uno
  - Carving Out Dedicated Reading Time
- 12. Sourcing Reliable Information of Manual Fiat Uno
  - Fact-Checking eBook Content of Manual Fiat Uno
  - Distinguishing Credible Sources
- 13. Promoting Lifelong Learning
  - Utilizing eBooks for Skill Development
  - Exploring Educational eBooks
- 14. Embracing eBook Trends

- Integration of Multimedia Elements
- Interactive and Gamified eBooks

## **Manual Fiat Uno Introduction**

In the digital age, access to information has become easier than ever before. The ability to download Manual Fiat Uno has revolutionized the way we consume written content. Whether you are a student looking for course material, an avid reader searching for your next favorite book, or a professional seeking research papers, the option to download Manual Fiat Uno has opened up a world of possibilities. Downloading Manual Fiat Uno provides numerous advantages over physical copies of books and documents. Firstly, it is incredibly convenient. Gone are the days of carrying around heavy textbooks or bulky folders filled with papers. With the click of a button, you can gain immediate access to valuable resources on any device. This convenience allows for efficient studying, researching, and reading on the go. Moreover, the cost-effective nature of downloading Manual Fiat Uno has democratized knowledge. Traditional books and academic journals can be expensive, making it difficult for individuals with limited financial resources to access information. By offering free PDF downloads, publishers and authors are enabling a wider audience to benefit from their work. This inclusivity promotes equal opportunities for learning and personal growth. There are numerous websites and platforms where individuals can download Manual Fiat Uno. These websites range from academic databases offering research papers and journals to online libraries with an expansive collection of books from various genres. Many authors and publishers also upload their work to specific websites, granting readers access to their content without any charge. These platforms not only provide access to existing literature but also serve as an excellent platform for undiscovered authors to share their work with the world. However, it is essential to be cautious while downloading Manual Fiat Uno. Some websites may offer pirated or illegally obtained copies of copyrighted material. Engaging in such activities not only violates copyright laws but also undermines the efforts of authors, publishers, and researchers. To ensure ethical downloading, it is advisable to utilize reputable websites that prioritize the legal distribution of content. When downloading Manual Fiat Uno, users should also consider the potential security risks associated with online platforms. Malicious actors may exploit vulnerabilities in unprotected websites to distribute malware or steal personal information. To protect themselves, individuals should ensure their devices have reliable antivirus software installed and validate the legitimacy of the websites they are downloading from. In conclusion, the ability to download Manual Fiat Uno has transformed the way we access information. With the convenience, cost-effectiveness, and accessibility it offers, free PDF downloads have become a popular choice for students, researchers, and book lovers worldwide. However, it is crucial to engage in ethical downloading practices and prioritize personal security when utilizing online platforms. By doing so, individuals can make the most of the vast array of free PDF resources available and embark on a journey of

continuous learning and intellectual growth.

## FAQs About Manual Fiat Uno Books

1. Where can I buy Manual Fiat Uno books? Bookstores: Physical bookstores like Barnes & Noble, Waterstones, and independent local stores. Online Retailers: Amazon, Book Depository, and various online bookstores offer a wide range of books in physical and digital formats.
2. What are the different book formats available? Hardcover: Sturdy and durable, usually more expensive. Paperback: Cheaper, lighter, and more portable than hardcovers. E-books: Digital books available for e-readers like Kindle or software like Apple Books, Kindle, and Google Play Books.
3. How do I choose a Manual Fiat Uno book to read? Genres: Consider the genre you enjoy (fiction, non-fiction, mystery, sci-fi, etc.). Recommendations: Ask friends, join book clubs, or explore online reviews and recommendations. Author: If you like a particular author, you might enjoy more of their work.
4. How do I take care of Manual Fiat Uno books? Storage: Keep them away from direct sunlight and in a dry environment. Handling: Avoid folding pages, use bookmarks, and handle them with clean hands. Cleaning: Gently dust the covers and pages occasionally.
5. Can I borrow books without buying them? Public Libraries: Local libraries offer a wide range of books for borrowing. Book Swaps: Community book exchanges or online platforms where people exchange books.
6. How can I track my reading progress or manage my book collection? Book Tracking Apps: Goodreads, LibraryThing, and Book Catalogue are popular apps for tracking your reading progress and managing book collections. Spreadsheets: You can create your own spreadsheet to track books read, ratings, and other details.
7. What are Manual Fiat Uno audiobooks, and where can I find them? Audiobooks: Audio recordings of books, perfect for listening while commuting or multitasking. Platforms: Audible, LibriVox, and Google Play Books offer a wide selection of audiobooks.
8. How do I support authors or the book industry? Buy Books: Purchase books from authors or independent bookstores. Reviews: Leave reviews on platforms like Goodreads or Amazon. Promotion: Share your favorite books on social media or recommend them to friends.
9. Are there book clubs or reading communities I can join? Local Clubs: Check for local book clubs in libraries or community centers. Online Communities: Platforms like Goodreads have virtual book clubs and discussion groups.

10. Can I read Manual Fiat Uno books for free? Public Domain Books: Many classic books are available for free as they're in the public domain. Free E-books: Some websites offer free e-books legally, like Project Gutenberg or Open Library.

### Find Manual Fiat Uno :

~~extreme aggression volume one tales of extreme sex english edition~~

~~exploring science 8 digestion test~~

~~expression loom design studio instruction~~

~~extra ati med surg practice~~

~~exploring science 8ea quick quiz answers~~

~~f20b wire guide~~

**exponential equations key**

**explorer 3200 manual scientific atlanta**

~~expresate holt 2 santiago~~

~~f3 syllabus 2013 2014~~

~~extra class study guide for 2015~~

**ezgo steering manual**

~~ezgo gx440 gx444 mid 1970 golf cart repair manual~~

~~exploring physical science study guide answers~~

**explore conero riviera travel guide**

### Manual Fiat Uno :

~~creating effective teams a guide for members and leaders goodreads - Dec 07 2022~~

~~web jul 29 2020 3 68 31 ratings1 review a practical guide for building and sustaining top performing teams based on the authors many years of consulting experience with teams in the public and private sectors creating effective a guide for members and leaders describes why teams are important how they function and what makes them successful~~

~~creating effective teams a guide for members and leaders - Feb 09 2023~~

~~web jun 1 2000 what teams need goals and tasks resources members trained to be team members not getting too much help and the avoidance of unsubstantiated team development and consultation strategies wheelan presents four stages of team development dependence and inclusion counterdependence and fight trust and~~



**eric ed500263 creating effective teams a guide for members** - Mar 30 2022

web jun 1 2005 creating effective teams a guide for members and leaders is a practical guide for building and sustaining top performing teams based on the author s many years of consulting experience with teams in the public and private sector the second edition describes why teams are important how they function and what makes them

**creating effective teams a guide for members and leaders** - Jul 02 2022

web jun 28 1999 creating effective teams takes readers by the hand through the four developmental stages of getting from group creation to highly effective teams it is packed with strategies for

**creating effective teams a guide for members and leaders** - Jun 13 2023

web oct 29 2014 susan a wheelan covers in depth the four stages of a team forming storming norming and performing clearly illustrating the developmental nature of teams and describing what happens in each

*creating effective teams a guide for members and leaders* - Jan 28 2022

web based on the authors many years of consulting experience with teams in the public and private sectors creating effective teams a guide for members and leaders describes why teams are important ho

*august 20 2013 creating effective teams strathman* - Aug 03 2022

web introduction in creating effective teams susan wheelan who has many years of consulting experience with teams in the public and private sectors presents a straightforward practical guide for group members and leaders about building and sustaining effective teams groups have a long history of success and people have formed

*creating effective teams a guide for members and leaders* - Sep 04 2022

web a bestseller in previous editions creating effective teams third edition is intended for students and team leaders and members in organizational studies management human resources social

**creating effective teams a guide for members and leaders** - Mar 10 2023

web aug 26 2020 a practical guide for building and sustaining top performing teams based on the authors many years of consulting experience with teams in the public and private sectors creating effective teams a guide for members and leaders describes why teams are important how they function and what makes them successful

creating effective teams sage publications inc - Aug 15 2023

web based on the authors many years of consulting experience with teams in the public and private sectors creating effective teams a guide for members and leaders describes why teams are important how they function and what makes them

successful the texts covers the four stages of team development forming storming norming and

**creating effective teams a guide for members and leaders** - Jan 08 2023

web may 31 2012 creating effective teams a guide for members and leaders 4th edition is a practical guide for building and

sustaining top performing teams based on the author s many years of consulting experience with teams in the public and private sector the fourth edition describes why teams are important how they function and what makes them  
[creating effective teams a guide for members and leaders](#) - Jun 01 2022

web summary creating effective teams a guide for members and leaders is a practical guide for building and sustaining top performing teams based on the author s many years of consulting experience with teams in the public and private sector the second edition describes why teams are important how they function and what makes them productive  
*creating effective teams a guide for members and leaders* - Oct 05 2022

web jul 29 2020 based on the authors many years of consulting experience with teams in the public and private sectors creating effective teams a guide for members and leaders describes why teams are important how they function and what makes them successful

[creating effective teams a guide for members and leaders](#) - Apr 11 2023

web aug 30 2020 based on the authors many years of consulting experience with teams in the public and private sectors creating effective teams a guide for members and leaders describes why teams

**creating effective teams a guide for members and leaders** - Apr 30 2022

web 1 why groups 2 effective organizational support for teams 3 from groups to teams the stages of group development 4 how do high performance teams function 5 effective team members 6 effective team leadership 7 navigating stage 1 8 surviving stage 2 9 reorganizing at stage 3 10 sustaining high performance

[building effective teams principles of management lumen](#) - Dec 27 2021

web shared leadership effective team members are willing to assume leadership roles when appropriate shared leadership reinforces a sense of shared responsibility and increases morale and team performance positive group dynamics interpersonal relationships in effective teams are built on trust respect honesty and acceptance

*creating effective teams a guide for members and leaders* - Jul 14 2023

web nov 10 2014 susan a wheelan covers in depth the four stages of a team forming storming norming and performing clearly illustrating the developmental nature of teams and describing what happens in each stage separate chapters are devoted to the responsibilities of team leaders and team members

**creating effective teams a guide for members and leaders** - Feb 26 2022

web english 151 pages 23 cm creating effective teams a guide for members and leaders is a practical guide for building and sustaining top performing teams based on the author s many years of consulting experience with teams in the public and private sector the second edition describes why teams are important how they function and what  
[creating effective teams a guide for members and leaders](#) - Nov 06 2022

web jul 29 2020 based on the authors many years of consulting experience with teams in the public and private sectors creating effective teams a guide for members and leaders describes why teams are important how they function and what makes them successful

*creating effective teams a guide for members and leaders* - May 12 2023

web creating effective teams a guide for members and leaders wheelan susan a amazon com tr kitap

*les techniques japonaises l école du reiki* - Jul 14 2023

web les techniques japonaises de reiki le système reiki originel de mikao usui est appelé usui reiki ryoho ou reiki ho ce système était tout d abord une pratique d éveil spirituel qui donnait à des gens la faculté de stimuler la guérison l harmonisation originelle que mikao usui utilisait était une initiation appelée reiju

**techniques japonaises de reiki kairos formation com** - Jun 01 2022

web techniques japonaises de reiki suite à de nombreuses recherches sur la voie du reiki pratiquée au japon suite à la disparition de usui sensei et plus particulièrement avec la parution de feu de reiki et du manuel de mikao usui certains aspects de l enseignement et de la pratique du reiki complémentaire nous sont parvenus

les techniques japonaises de reiki reiki geneva - Jan 28 2022

web les techniques japonaises de reiki les techniques japonaises de reiki conçues par mikao usui en plus des cinq principes reiki mikao usui enseigna son système basé sur trois piliers les 3 piliers du reiki autres techniques de groupe reiki de groupe *pratiquer gyoshi ho reiki art de vie* - Feb 26 2022

web may 2 2021 c est l une des techniques japonaises de reiki tjr enseignée au niveau 2 de reiki usui qui consiste à envoyer de l énergie reiki à travers les yeux il est dérivé du mot gyoshi qui signifie regarder et ho signifie méthode ou technique

**tout tout le le monde monde peut peut faire formation reiki usui** - Sep 04 2022

web À la recherche des racines du reiki enquête sur l origine de la méthode de guérison par le reiki qu est ce que la méthode de guérison par le reiki usui le reiki est importé du japon aux etats unis journaliste shiomi takai récemment aux etats unis on a observé une popularité croissante de la méthode de

*sommaire du livret les techniques japonaise de reiki* - May 12 2023

web les techniques japonaises de reiki synthèse des apports d arjava petters iroshi doi christ marsh et andrew bowling introduction kanyoku ho méthode du nettoyage à sec reiki syawa nogi ho méthode de la douche reiki reiki mawashi cercle reiki hikari no kokyu ho méthode de respiration de la lumière

*le reiki usui principes possibilités techniques et bienfaits* - Dec 27 2021

web nov 11 2018 le reiki est une technique énergétique d origine japonaise prodiguer un soin reiki consiste à apposer vos mains sur les zones du corps selon votre ressenti et selon les besoins du receveur l énergie est transmise à travers les mains

et va se diriger est absorbée canalisée là où il y a un besoin

[manuel des techniques japonaises de reiki de mikao usui](#) - Apr 11 2023

web achetez et téléchargez ebook manuel des techniques japonaises de reiki de mikao usui guide complet du praticien de reiki boutique kindle médecine amazon fr

**les techniques japonaises de reiki jordan energeticien com** - Mar 30 2022

web apr 4 2023 les techniques japonaises présentes dans le reiki regroupent des pratiques énergétiques et méditatives permettant d'effectuer un travail sur soi si certaines peuvent être employées en séance pour un consultant la majorité des tjr permettent le développement personnel l'éveil de la conscience est la purification du praticien

**techniques japonaises** - Jul 02 2022

web reiji ho cette technique peut être utilisée au début d'une session pour développer notre intuition koki ho technique millénaire d'utilisation du souffle que mikao usui a adapté au reiki gyoshi ho cette technique nous enseigne comment utiliser l'énergie du regard pour le traitement reiki undo

**techniques japonaises de reiki usui josyane wollung book** - Feb 09 2023

web le reiki philippe gouédard 2020 03 05 le reiki est une méthode traditionnelle d'origine japonaise fondée sur des soins énergétiques par imposition des mains en effectuant des gestes simples et précis elle active notre capacité d'autoguérison

[les techniques japonaises de reiki tjr](#) - Oct 05 2022

web synthèse des techniques japonaises en reiki pour améliorer notre pratique dans cet art elles viennent de trois voies différentes arjava petter formé par fumio ogawa

**techniques japonaises de reiki usui format kindle amazon fr** - Dec 07 2022

web ces techniques nous paraissent comme des nouveautés mais certains mouvements ou écoles de reiki les pratiquent déjà depuis leur origine ces techniques permettent de

[les techniques japonaises de reiki reiki guide](#) - Jun 13 2023

web les techniques japonaises de reiki la formation reiki comporte un certain nombre de pratiques énergétiques certaines sont couramment appelées techniques japonaises de reiki les techniques de reiki dites japonaises sont arrivées en

*les techniques reiki tjr* - Apr 30 2022

web les tjr les techniques japonaises de reiki tjr sont des méthodes enseignées lors de la formation ils en existent d'autres encore considérées comme secrètes elles permettent au praticien d'avoir des béquilles pour travailler cependant il faut garder en tête que c'est l'amour véhiculé par la lumière qui réinforme et pas le guérisseur

**techniques japonaises de reiki usui le goas m yann** - Mar 10 2023

web noté 5 retrouvez techniques japonaises de reiki usui et des millions de livres en stock sur amazon fr achetez neuf ou d

occasion

**techniques japonaises de reiki usui by m yann le goas 2013** - Nov 06 2022

web noté 5 achetez techniques japonaises de reiki usui by m yann le goas 2013 03 24 de isbn sur amazon fr des millions de livres livrés chez vous en 1 jour

techniques japonaises de reiki usui amazon com tr - Aug 15 2023

web techniques japonaises de reiki usui le goas m yann amazon com tr kitap Çerez tercihlerinizi seçin Çerez bildirimimizde detaylandırıldığı üzere satın alım yapmanızı sağlamak alışveriş deneyiminizi geliştirmek ve hizmetlerimizi sunmak için gerekli olan çerezleri ve benzer araçları kullanıyoruz ayrıca bu

*formation et cours de reiki usui la fédération de reiki usui* - Aug 03 2022

web techniques japonaises de reiki usui ibuki ho koki ho traitement par le souffle ibuki ho gyoshi ho technique de traitement avec les yeux nentatsu ho déprogrammation pour communiquer un souhait une intention tanden chiryo ho aider à évacuer toxines sur plans physique et émotionnel

**techniques japonaises reiki boutique de laurène baldassara** - Jan 08 2023

web les techniques japonaises de reiki de mikao usui à télécharger pdf cadeau les 9 plaques d énergie à télécharger le contenu dans ce manuel vous trouverez toutes les techniques japonaises de reiki créées par mikao usui kenyoku gassho hanshin koketsu ho zenshin koketsu ho reiki mawashi

**klare lichte zukunft eine radikale verteidigung des humanismus** - Jun 10 2023

web klare lichte zukunft eine radikale verteidigung d recognizing the pretension ways to acquire this books klare lichte zukunft eine radikale verteidigung d is additionally

**klare lichte zukunft eine radikale verteidigung des** - May 29 2022

web may 13 2019 klare lichte zukunft eine radikale verteidigung des humanismus von paul mason gebundene ausgabe bei medimops de bestellen gebraucht günstig

9783518428603 klare lichte zukunft eine radikale verteidigung - Nov 03 2022

web klare lichte zukunft eine radikale verteidigung des humanismus de mason paul sur abebooks fr isbn 10 3518428608 isbn 13 9783518428603 suhrkamp verlag ag

**klare lichte zukunft eine radikale verteidigung des humanismus** - Jan 05 2023

web um die werte der aufklärung in die zukunft zu retten legt paul mason eine radikale verteidigung des humanismus vor ausgehend von karl marx frühschriften entwirft er

**paul mason klare lichte zukunft eine radikale** - Oct 14 2023

web aug 21 2019 paul mason klare lichte zukunft eine radikale verteidigung des humanismus suhrkamp verlag berlin 2019

isbn 9783518428603 gebunden 415

klare lichte zukunft eine radikale verteidigung d book - May 09 2023

web jan 21 2020 wolfgang frindte rezeption vom 21 01 2020 zu paul mason klare lichte zukunft eine radikale verteidigung des humanismus aus dem englischen von

**klare lichte zukunft suhrkamp verlag** - Mar 07 2023

web klare lichte zukunft eine radikale verteidigung des humanismus ebook mason paul stephan stephan amazon de kindle shop

**klare lichte zukunft eine radikale verteidigung des** - Jul 11 2023

web um die werte der aufklärung in die zukunft zu retten legt paul mason eine radikale verteidigung des humanismus vor ausgehend von karl marx frühschriften entwirft er

**klare lichte zukunft eine radikale verteidigung d** - Mar 27 2022

web klare lichte zukunft eine radikale verteidigung des march 28th 2020 klare lichte zukunft eine radikale verteidigung des humanismus stellen sie sich vor sie geben die

*klare lichte zukunft eine radikale verteidigung des* - Dec 24 2021

*free klare lichte zukunft eine radikale verteidigung d* - Sep 01 2022

web klare lichte zukunft eine radikale verteidigung d that you are looking for it will completely squander the time however below considering you visit this web page it will

socialnet rezeptionen klare lichte zukunft eine - Apr 08 2023

web eine radikale verteidigung des humanismus suhrkamp klare lichte zukunft paul mason sv paul mason klare lichte zukunft eine

klare lichte zukunft buch von paul mason - Sep 13 2023

web um die werte der aufklärung in die zukunft zu retten legt paul mason eine radikale verteidigung des humanismus vor ausgehend von karl marx frühschriften entwirft er

**klare lichte zukunft eine radikale verteidigung des humanismus** - Aug 12 2023

web jun 6 2019 paul mason klare lichte zukunft eine radikale verteidigung des humanismus aus dem englischen von stephan gebauer suhrkamp insel gepl

*klare lichte zukunft eine radikale verteidigung d peter* - Jul 31 2022

web lichte zukunft eine radikale verteidigung d a literary masterpiece penned by a renowned author readers set about a transformative journey unlocking the secrets and

klare lichte zukunft eine radikale verteidigung des humanismus - Apr 27 2022

web merely said the klare lichte zukunft eine radikale verteidigung d is universally compatible with any devices to read die erste seite frankfurter allgemeine 1981 the

klare lichte zukunft eine radikale verteidigung des humanismus - Dec 04 2022

web klare lichte zukunft eine radikale verteidigung des humanismus finden sie alle bücher von mason paul bei der büchersuchmaschine eurobuch com können sie

**klare lichte zukunft eine radikale verteidigung d benjamin** - Jan 25 2022

web sep 15 2023 klare lichte zukunft eine radikale verteidigung des humanismus by paul mason der verbund media2go klare lichte zukunft klare lichte zukunft buch

klare lichte zukunft eine radikale verteidigung des - Feb 23 2022

web die erste deutschsprachige publikation zur europäischen medienwissenschaft hat grundlegenden charakter sie führt ein und orientiert über medienwissenschaften in

**klare lichte zukunft eine radikale verteidigung des humanismus** - Oct 02 2022

web klare lichte zukunft eine radikale verteidigung d ueber den religiösen charakter des griechischen mythos festrede etc may 29 2021 the city symphony phenomenon

klare lichte zukunft eine radikale verteidigung des humanismus - Feb 06 2023

web erste auflage 2019 gebundene ausgabe 414 seiten 25 cm 806 g neuwertiger zustand mason paul und stephan gebauer

*klare lichte zukunft eine radikale verteidigung d* 2023 - Jun 29 2022

web sep 14 2023 klare lichte zukunft eine radikale verteidigung des humanismus by paul mason june 5th 2020 klare lichte zukunft eine radikale verteidigung des