

4

Know Your Snow Thrower



WARNING

Be familiar with all the controls on the snow thrower and their proper operation. Know how to stop the machine and disengage them quickly.

Never make adjustments to the chute assembly unless both controls are disengaged and the operator is standing beside the unit.

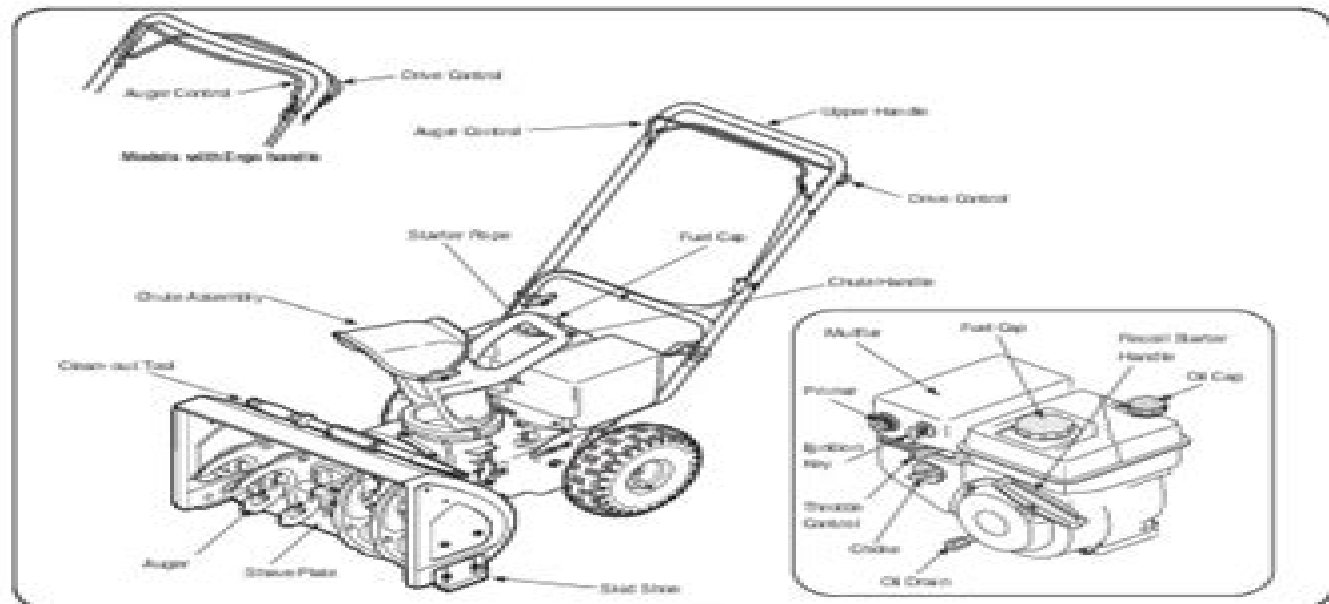


Figure 7

Throttle Control

The throttle control is located on the engine. It regulates the speed of the engine and also stops the engine.

Drive Control

Located on the underside of the upper handle, the drive control is used to engage/disengage wheels. Pull the drive control against the upper handle to engage the wheels; release to disengage.

Auger Control

Located on the top side of the upper handle, the auger control is used to engage and disengage the augers. Pull the auger control back against the upper handle to engage the augers; release to disengage.

IMPORTANT: Refer to Auger Control Test on page 10 prior to operating your snow thrower. Read and follow all instructions carefully and perform all adjustments to verify your snow thrower is operating safely and properly.

Discharge Chute

The direction snow is thrown can be changed by turning the lower chute with the chute handle. The distance snow is thrown can be adjusted by raising the upper chute for greater distance, or lowering for less distance. Loosen the wing nut on the side of the discharge chute to adjust. Pivot the chute to desired position, and retighten wing nut.

Ignition Key

The ignition key is a safety device. Insert key and snap in place; do not turn ignition key. Pull the key out halfway to stop the engine. Remove key when the unit is not in use.

Shave Plate

The shave plate maintains contact with pavement as the snow thrower is propelled, allowing snow close to pavement's surface to be discharged.

Skid Shoe

The space between the shave plate and the ground can be adjusted. For close snow removal, place skid shoes in the low position. Use middle or high position when area to be cleared is uneven or on gravel surfaces.

Engine Operating Controls

Refer to the separate engine manual for engine operating controls and their functions.

Mtd 12 30 Snowblower Manual

Clifford Lane



Mtd 12 30 Snowblower Manual:

Reviewing **Mtd 12 30 Snowblower Manual**: Unlocking the Spellbinding Force of Linguistics

In a fast-paced world fueled by information and interconnectivity, the spellbinding force of linguistics has acquired newfound prominence. Its capacity to evoke emotions, stimulate contemplation, and stimulate metamorphosis is truly astonishing. Within the pages of "**Mtd 12 30 Snowblower Manual**," an enthralling opus penned by a very acclaimed wordsmith, readers set about an immersive expedition to unravel the intricate significance of language and its indelible imprint on our lives. Throughout this assessment, we shall delve to the book is central motifs, appraise its distinctive narrative style, and gauge its overarching influence on the minds of its readers.

<https://staging.conocer.cide.edu/files/publication/fetch.php/fundamentals%20of%20thermodynamics%20solution%20manual%20chapter.pdf>

Table of Contents Mtd 12 30 Snowblower Manual

1. Understanding the eBook Mtd 12 30 Snowblower Manual
 - The Rise of Digital Reading Mtd 12 30 Snowblower Manual
 - Advantages of eBooks Over Traditional Books
2. Identifying Mtd 12 30 Snowblower Manual
 - Exploring Different Genres
 - Considering Fiction vs. Non-Fiction
 - Determining Your Reading Goals
3. Choosing the Right eBook Platform
 - Popular eBook Platforms
 - Features to Look for in an Mtd 12 30 Snowblower Manual
 - User-Friendly Interface
4. Exploring eBook Recommendations from Mtd 12 30 Snowblower Manual
 - Personalized Recommendations
 - Mtd 12 30 Snowblower Manual User Reviews and Ratings

- Mtd 12 30 Snowblower Manual and Bestseller Lists
- 5. Accessing Mtd 12 30 Snowblower Manual Free and Paid eBooks
 - Mtd 12 30 Snowblower Manual Public Domain eBooks
 - Mtd 12 30 Snowblower Manual eBook Subscription Services
 - Mtd 12 30 Snowblower Manual Budget-Friendly Options
- 6. Navigating Mtd 12 30 Snowblower Manual eBook Formats
 - ePub, PDF, MOBI, and More
 - Mtd 12 30 Snowblower Manual Compatibility with Devices
 - Mtd 12 30 Snowblower Manual Enhanced eBook Features
- 7. Enhancing Your Reading Experience
 - Adjustable Fonts and Text Sizes of Mtd 12 30 Snowblower Manual
 - Highlighting and Note-Taking Mtd 12 30 Snowblower Manual
 - Interactive Elements Mtd 12 30 Snowblower Manual
- 8. Staying Engaged with Mtd 12 30 Snowblower Manual
 - Joining Online Reading Communities
 - Participating in Virtual Book Clubs
 - Following Authors and Publishers Mtd 12 30 Snowblower Manual
- 9. Balancing eBooks and Physical Books Mtd 12 30 Snowblower Manual
 - Benefits of a Digital Library
 - Creating a Diverse Reading Collection Mtd 12 30 Snowblower Manual
- 10. Overcoming Reading Challenges
 - Dealing with Digital Eye Strain
 - Minimizing Distractions
 - Managing Screen Time
- 11. Cultivating a Reading Routine Mtd 12 30 Snowblower Manual
 - Setting Reading Goals Mtd 12 30 Snowblower Manual
 - Carving Out Dedicated Reading Time
- 12. Sourcing Reliable Information of Mtd 12 30 Snowblower Manual
 - Fact-Checking eBook Content of Mtd 12 30 Snowblower Manual
 - Distinguishing Credible Sources

13. Promoting Lifelong Learning
 - Utilizing eBooks for Skill Development
 - Exploring Educational eBooks
14. Embracing eBook Trends
 - Integration of Multimedia Elements
 - Interactive and Gamified eBooks

Mtd 12 30 Snowblower Manual Introduction

In this digital age, the convenience of accessing information at our fingertips has become a necessity. Whether its research papers, eBooks, or user manuals, PDF files have become the preferred format for sharing and reading documents. However, the cost associated with purchasing PDF files can sometimes be a barrier for many individuals and organizations. Thankfully, there are numerous websites and platforms that allow users to download free PDF files legally. In this article, we will explore some of the best platforms to download free PDFs. One of the most popular platforms to download free PDF files is Project Gutenberg. This online library offers over 60,000 free eBooks that are in the public domain. From classic literature to historical documents, Project Gutenberg provides a wide range of PDF files that can be downloaded and enjoyed on various devices. The website is user-friendly and allows users to search for specific titles or browse through different categories. Another reliable platform for downloading Mtd 12 30 Snowblower Manual free PDF files is Open Library. With its vast collection of over 1 million eBooks, Open Library has something for every reader. The website offers a seamless experience by providing options to borrow or download PDF files. Users simply need to create a free account to access this treasure trove of knowledge. Open Library also allows users to contribute by uploading and sharing their own PDF files, making it a collaborative platform for book enthusiasts. For those interested in academic resources, there are websites dedicated to providing free PDFs of research papers and scientific articles. One such website is Academia.edu, which allows researchers and scholars to share their work with a global audience. Users can download PDF files of research papers, theses, and dissertations covering a wide range of subjects. Academia.edu also provides a platform for discussions and networking within the academic community. When it comes to downloading Mtd 12 30 Snowblower Manual free PDF files of magazines, brochures, and catalogs, Issuu is a popular choice. This digital publishing platform hosts a vast collection of publications from around the world. Users can search for specific titles or explore various categories and genres. Issuu offers a seamless reading experience with its user-friendly interface and allows users to download PDF files for offline reading. Apart from dedicated platforms, search engines also play a crucial role in finding free PDF files. Google, for instance, has an advanced search feature that allows users to filter results by file type. By specifying the file type as "PDF," users can find websites that

offer free PDF downloads on a specific topic. While downloading Mtd 12 30 Snowblower Manual free PDF files is convenient, its important to note that copyright laws must be respected. Always ensure that the PDF files you download are legally available for free. Many authors and publishers voluntarily provide free PDF versions of their work, but its essential to be cautious and verify the authenticity of the source before downloading Mtd 12 30 Snowblower Manual. In conclusion, the internet offers numerous platforms and websites that allow users to download free PDF files legally. Whether its classic literature, research papers, or magazines, there is something for everyone. The platforms mentioned in this article, such as Project Gutenberg, Open Library, Academia.edu, and Issuu, provide access to a vast collection of PDF files. However, users should always be cautious and verify the legality of the source before downloading Mtd 12 30 Snowblower Manual any PDF files. With these platforms, the world of PDF downloads is just a click away.

FAQs About Mtd 12 30 Snowblower Manual Books

What is a Mtd 12 30 Snowblower Manual PDF? A PDF (Portable Document Format) is a file format developed by Adobe that preserves the layout and formatting of a document, regardless of the software, hardware, or operating system used to view or print it. **How do I create a Mtd 12 30 Snowblower Manual PDF?** There are several ways to create a PDF: Use software like Adobe Acrobat, Microsoft Word, or Google Docs, which often have built-in PDF creation tools. Print to PDF:

Many applications and operating systems have a "Print to PDF" option that allows you to save a document as a PDF file instead of printing it on paper. Online converters: There are various online tools that can convert different file types to PDF.

How do I edit a Mtd 12 30 Snowblower Manual PDF? Editing a PDF can be done with software like Adobe Acrobat, which allows direct editing of text, images, and other elements within the PDF. Some free tools, like PDFescape or Smallpdf, also offer basic editing capabilities. **How do I convert a Mtd 12 30 Snowblower Manual PDF to another file format?**

There are multiple ways to convert a PDF to another format: Use online converters like Smallpdf, Zamzar, or Adobe Acrobats export feature to convert PDFs to formats like Word, Excel, JPEG, etc. Software like Adobe Acrobat, Microsoft Word, or other PDF editors may have options to export or save PDFs in different formats. **How do I password-protect a Mtd 12 30**

Snowblower Manual PDF? Most PDF editing software allows you to add password protection. In Adobe Acrobat, for instance, you can go to "File" -> "Properties" -> "Security" to set a password to restrict access or editing capabilities. Are there any free alternatives to Adobe Acrobat for working with PDFs? Yes, there are many free alternatives for working with PDFs, such as: LibreOffice: Offers PDF editing features. PDFsam: Allows splitting, merging, and editing PDFs. Foxit Reader: Provides basic PDF viewing and editing capabilities. How do I compress a PDF file? You can use online tools like Smallpdf, ILovePDF, or desktop software like Adobe Acrobat to compress PDF files without significant quality loss. Compression

reduces the file size, making it easier to share and download. Can I fill out forms in a PDF file? Yes, most PDF viewers/editors like Adobe Acrobat, Preview (on Mac), or various online tools allow you to fill out forms in PDF files by selecting text fields and entering information. Are there any restrictions when working with PDFs? Some PDFs might have restrictions set by their creator, such as password protection, editing restrictions, or print restrictions. Breaking these restrictions might require specific software or tools, which may or may not be legal depending on the circumstances and local laws.

Find Mtd 12 30 Snowblower Manual :

fundamentals of thermodynamics solution manual chapter

~~fundamentals of machine component design solutions manual~~

~~fundamentals of algebraic modeling 6th edition~~

fundamentals of corporate taxation 8th edition solutions

fundamental of business law cpa sample exam

funny customer service jokes

funza 2016 bursary application form

fundamentals of clinical trials 4th edition

~~fundamentals of communications solution manual~~

funny nursing documentation examples

fundamentals of digital logic and microcontrollers

fundamental of structural analysis solution manual leet

fundamentals of communications and networking laboratory manual

funny bones topic planning

~~furnas motor starters wiring diagrams~~

Mtd 12 30 Snowblower Manual :

[the year one challenge for women thinner leaner and](#) - Aug 20 2023

web feb 19 2014 the year one challenge for women is a workout journal companion to the bestselling women s fitness book thinner leaner stronger and it contains a full year s worth of workouts neatly organized so you can record track and review your progress toward the body you ve always wanted

the year one challenge for women thinner leaner and stronger than - Feb 14 2023

web the year one challenge for women thinner leaner and stronger than ever in 12 months paperback jan 15 2015 by michael matthews author 4 2 2 316 ratings book 2 of 3 the thinner leaner stronger series see all formats and editions kindle edition 3 99 read with our free app hardcover 64 85 11 used from 20 03 7 new from 62 05

the year one challenge for women thinner leaner and - Aug 08 2022

web the year one challenge for women thinner leaner and stronger than ever in 12 months paperback 15 january 2015 by michael matthews author 4 2 2 352 ratings book 2 of 3 the thinner leaner stronger series

the year one challenge for women thinner leaner and stronger than - Jan 13 2023

web jul 4 2018 the year one challenge for women is a workout journal companion to the bestselling fitness book for women thinner leaner stronger this workout book contains a full year s worth of thinner leaner stronger workouts for getting lean sexy curves and muscle definition in all of the right places on your body in only 3 to 5 hours of

the year one challenge for women thinner leaner and - Apr 16 2023

web the year one challenge for women thinner leaner and stronger than ever in 12 months matthews michael amazon com tr kitap

the year one challenge for women thinner leaner and - Jun 06 2022

web jul 19 2014 buy the year one challenge for women thinner leaner and stronger than ever in 12 months 2 by michael matthews isbn 9781938895326 from amazon s book store everyday low prices and free delivery on eligible orders

is anyone currently doing thinner leaner stronger year one challenge - Jan 01 2022

web feb 24 2022 is anyone currently doing thinner leaner stronger year one challenge for women i just started this week after a couple false starts had to quit due to illness and got restarted after a couple weeks of recovery no it wasn t the rona but stomach crud

the year one challenge for women thinner leaner and - Nov 11 2022

web the year one challenge for women thinner leaner and stronger than ever in 12 months ebook written by michael matthews read this book using google play books app on your pc android ios devices download for offline reading highlight bookmark or take notes while you read the year one challenge for women thinner leaner and

the year 1 challenge for women thinner leaner and stronger - Jul 19 2023

web feb 19 2014 the year 1 challenge for women is a workout journal companion to the bestselling book thinner leaner stronger it contains your first year s worth of workouts as well as a collection of the author s favorite motivational quotes you will use this journal to record your progress on the program

the year one challenge for women thinner leaner and stronger than - Dec 12 2022

web with the thinner leaner stronger program you can lose 30 to 35 pounds of fat and build muscle in just one year this book

contains a full year s worth of workouts properly laid out so you can record and track your progress as well as some of the author s favorite motivational quotes and recipes from his bestselling cookbook the shredded chef

the year one challenge for women google books - Oct 10 2022

web jan 15 2015 the year one challenge for women is a workout journal companion to the bestselling fitness book for women thinner leaner stronger this workout book contains a full year s worth of

the year 1 challenge for women thinner leaner and stronger - May 05 2022

web the year 1 challenge for women is a workout journal companion to the bestselling book thinner leaner stronger with the thinner leaner stronger program you can lose 30 to 35 pounds of fat and build muscle in just one year

the year 1 challenge for women thinner leaner and stronger - Apr 04 2022

web the year 1 challenge is a workout journal companion to the bestselling book thinner leaner stronger and it contains an entire year of workouts with the thinner leaner stronger program you can gain 10 15 pounds of muscle or lose 25 30 pounds of fat in just one year and this workout journal gives you the workouts you

the year one challenge for women legion athletics - Jun 18 2023

web the year one challenge for women is a workout journal companion to the bestselling fitness book for women thinner leaner stronger this workout book contains a full year s worth of thinner leaner stronger workouts for getting lean sexy curves and muscle definition in all of the right places on your body in only 3 to 5 hours of

the year one challenge for women thinner leaner and - Mar 15 2023

web buy the year one challenge for women thinner leaner and stronger than ever in 12 months the thinner leaner stronger series 2 by matthews michael isbn 9781938895289 from amazon s book store everyday low

the year one challenge for women thinner leaner and - May 17 2023

web jun 1 2018 the year one challenge for women is a workout journal companion to the 1 bestselling women s fitness book thinner leaner stronger it contains a full year s worth of thinner leaner stronger workouts created by mike matthews and with this program you can lose up to 35 pounds of fat including stubborn hip belly and

the year one challenge for women thinner leaner and - Jul 07 2022

web buy the year one challenge for women thinner leaner and stronger than ever in 12 months by matthews ph d michael online on amazon ae at best prices fast and free shipping free returns cash on delivery available on eligible purchase

the year one challenge for women thinner leaner and youtube - Mar 03 2022

web nov 4 2022 the year one challenge for women thinner leaner and stronger than ever in 12 months hardcover to buy the book amzn to 3ch7nlw cheapshoppin

the year one challenge for women thinner leaner and - Sep 09 2022

web jun 1 2018 the year one challenge for women is a workout journal companion to the 1 bestselling women s fitness book thinner leaner stronger it contains a full year s worth of thinner leaner stronger workouts created by mike matthews and with this program you can lose up to 35 pounds of fat including stubborn hip belly and

pdf epub the year one challenge for women thinner leaner - Feb 02 2022

web oct 26 2019 the year one challenge for women is a workout journal companion to the bestselling book thinner leaner stronger with the thinner leaner stronger program you can lose 30 to 35 pounds of fat and build muscle in just one year

oilfield processing of petroleum vol 1 natural gas goodreads - Dec 08 2022

web dec 1 1991 oilfield processing of petroleum vol 1 natural gas francis s manning richard thompson 4 00 11 ratings1 review this book describes oilfield processing and handling of natural gas in a direct easy to follow format process descriptions design methods operating procedures and troubleshooting are covered in detail

oilfield processing of petroleum vol 1 natural gas pdf - Aug 16 2023

web oilfield processing of petroleum vol 1 natural gas pdf kv2ujap1rfs0 process descriptions design methods operating procedures and troubleshooting are covered in detail in this hands on re vdoc pub

oily wastewater treatment and reuse technology in low permeability oilfield - Mar 31 2022

web sep 13 2023 this paper takes ordos huaqing ultra low permeability oilfield as the research object analyzes the composition of the produced oily wastewater and uses the treatment process of multiphase air flotation to shell filtration to quartz sand filtration to multi effect evaporation to reuse the oily wastewater in the oilfield analyzes the index

oilfield processing of petroleum oilfield processing vol 2 - Jun 02 2022

web jan 1 1995 oilfield processing of petroleum oilfield processing vol 2 crude oil volume 2 manning francis thompson richard 9781596930421 amazon com books books

oilfield processing of petroleum crude oil book francis manning - Feb 10 2023

web covers process descriptions design method operating procedures and troubleshooting in great detail this text is the definitive source on its topic and contains numerous diagrams and appendices as well as case histories and review questions with numerical problems

petroleum and gas field processing tpu - Nov 07 2022

web petroleum refining processes james g speight and baki burn 86 health safety and accident management in the chemical process industries ann marie flynn and louis theodore 87 plantwide dynamic simulators in chemical processing and control william l luyben 88 chemicial reactor design peter harriott 89

oilfield processing of petroleum natural gas google books - May 13 2023

web this book describes oilfield processing and handling of natural gas in a direct easy to follow format process descriptions

design methods operating procedures and troubleshooting are

manning fs thompson re oilfield processing of petroleum vol - Jul 03 2022

web sep 1 2006 article full text available aug 2023 oleksiy vladimirovitch malakhov oleksand mukolaiyevitch palagin andrii igorevitch naydyonov andrii vladimirovitch bondarenko view show abstract

manning thompson oilfield processing of petroleum volume 1 - Sep 05 2022

web jul 10 2022 oilfield processing addeddate 2022 07 10 15 24 36 identifier manning thompson oilfield processing of petroleum volume 1 identifier ark ark 13960 s2msbzwh333 ocr tesseract 5 1 0 1 ge935

what is petroleum processing with pictures allthescience - Dec 28 2021

web aug 23 2023 science fact checked what is petroleum processing mary mcMahon last modified date august 23 2023

petroleum processing is a series of procedures which are used to transform petroleum from crude fresh out of the ground to finished consumer products ranging from aviation fuel to plastics

oilfield processing of petroleum crude oil goodreads - Aug 04 2022

web mar 1 1995 jump to ratings and reviews want to read buy on amazon rate this book oilfield processing of petroleum crude oil francis s manning richard e thompson 4 29 7 ratings0 reviews covers process descriptions design method operating procedures and troubleshooting in great detail

oilfield processing of petroleum volume 1 natural gas - Apr 12 2023

web oilfield processing of petroleum volume 1 natural gas 131 00 this book describes oilfield processing and handling of natural gas in a direct easy to follow format process descriptions design methods operating procedures and troubleshooting are covered in detail read more quantity share item

oil production plant wikipedia - Jan 09 2023

web an oil production plant is a facility which processes production fluids from oil wells in order to separate out key components and prepare them for export typical oil well production fluids are a mixture of oil gas and produced water an oil production plant is distinct from an oil depot which does not have processing facilities

oil and gas processing petrowiki - Jun 14 2023

web dec 9 2021 the purpose of oil and gas processing is to separate remove or transform these various components to make the hydrocarbons ready for sale for the hydrocarbons gas or liquid to be sold they must be separated from the water and solids measured sold transported by pipeline truck rail or ocean tanker to the user

oilfield processing of petroleum by francis s manning open - Oct 06 2022

web nov 15 2022 oilfield processing of petroleum by francis s manning and richard e thompson 0 ratings 2 want to read 0 currently reading 0 have read this edition doesn t have a description yet can you add one publish date 1991 publisher

pennwell books language english previews available in english subjects

oilfield processing of petroleum crude oil google books - Jul 15 2023

web oilfield processing of petroleum crude oil francis s manning richard e thompson ph d pennwell books 1991 technology engineering 400 pages covers process descriptions design

oilfield processing by francis s manning open library - May 01 2022

web overview view 2 editions details reviews lists related books last edited by marc bot july 30 2019 history edit an edition of oilfield processing of petroleum 1991 oilfield processing crude oil oilfield processing of petroleum by francis s manning and richard e thompson 0 ratings 2 want to read 0 currently reading 0 have read

oilfield processing of petroleum vol 1 natural gas - Mar 11 2023

web jan 1 1991 this book describes oilfield processing and handling of natural gas in a direct easy to follow format process descriptions design methods operating procedures and troubleshooting are covered in detail this hands on reference will be useful to field practitioners and is an ideal training text

oil processing operations definition law insider - Jan 29 2022

web oil processing operations means any of the following operations sample 1 sample 2 sample 3 based on 23 documents related to oil processing operations

facts and news about the oil processing industry fluid handling - Feb 27 2022

web the oil processing plant also known as an oil production plant is a plant that processes production fluids from oil wells to separate saleable products and dispose of the rest in an environmentally friendly manner

zadaci iz gramatike engleskog za 5 razred vps huratips - Apr 05 2022

web zadaci iz gramatike engleskog za 5 razred downloaded from vps huratips com by guest lam esther generative phonology routledge follows the fictional scotsman james mac killian as he travels around the world in 1923 1925 in the zephyr a motorized hot air balloon he invented seeking to learn the traditions and cultures of

engleski jezik 5 razred grammar nastavne aktivnosti wordwall - Oct 11 2022

web zajednica korisnika engleski jezik 5 razred grammar 10000 rezultata za engleski jezik 5 razred grammar engleski 5 razred labirint autor tadicmisha 5 razred engleski jezik engleski jezik 5 razred redni brojevi kviz autor enigrdan52 food 5 razred prevođenje spoji parove autor sabina2009 5 razred engleski jezik

5 razred skole hr - May 18 2023

web right on 1 radna bilježnica iz engleskog jezika i zbirka zadatka iz gramatike za 5 razred osnovne škole jenny dooley radna bilježnica 5 alfa 46 00 6131 beste freunde a1 1 udžbenik njemačkog jezika za peti razred osnovne škole druga godina učenja manuela georgiakaki monika bovermann elisabeth graf riemann christiane radni

ЕНГЛЕСКИ ЈЕЗИК 5 РАЗРЕД google sites - Jul 20 2023

web jun 18 2021 РАЗРЕД 5 РАЗРЕД teacher aleksandra teacher violeta za sve uČenike radna nedelja 14 6 18 6 2021 dragi petaci većina vas je bila vredna i dobila dobre ocene oni koji nisu treba da se

zadaci iz gramatike engleskog za 5 razred imds ac id - Jun 07 2022

web april 16th 2018 2 pismeni zadatak iz engleskog za 5 razred itanja gramatike 5 objavljeno pod kontrolni i pismeni zadaci 5 odgovora january 19th 2018 zadaci iz gramatike engleskog za 5 razred pdf free download here engleski jezik algoritam algoritam hr slike slike katalog engleski pdf matematika vje be 1 5 razred

test engleski jezik 5 razred word order in questions - Aug 21 2023

web ovde vam nudimo test iz gramatike engleski jezik word order in questions rešeni testovi će vam pomoći u razumevanju gradiva i izbegavanju uobičajenih grešaka kada je u pitanju gramatika pripremljeni su u skladu sa nastavnim programom za odgovarajući razred ali mogu ih koristiti i deca mlađeg uzrasta u zavisnosti od

5 razred engleski nastavne aktivnosti wordwall - Aug 09 2022

web zajednica korisnika 5 razred engleski primjeri sadržaja naše zajednice korisnika 10000 rezultata za 5 razred engleski engleski 5 razred labirint autor tadicmisha 5 razred engleski jezik food 5 razred prevođenje spoji parove autor sabina2009 5 razred engleski jezik engleski 5 razred kviz autor matamicic2012 5 razred engleski jezik

zadaci iz gramatike engleskog za 5 razred - Jul 08 2022

web zadaci iz gramatike engleskog za 5 razred logicki zadaci za 3 i 4 razred vesela kola nau i ta materijali za nastavnike 5 razred osnovne kole za 5 razred pismenizadaci com matematika vje be 1 5 razred osnovne kole 5 razred os veliki bukovec skole hr op tinsko takmi enje iz srpskog jezika 2016 kvizovi archives engleski jezik com 5

5 razred priprema unit1 test 1 pdf scribd - Jan 14 2023

web 5 razred priprema unit1 test 1 free download as word doc doc pdf file pdf text file txt or read online for free probni test za 5 razred

zadaci iz gramatike engleskog za 5 razred copy - Sep 10 2022

web zadaci iz gramatike engleskog za 5 razred gramatika engleskog jezika oct 31 2022 bibliografija knjiga tiskanih u sr hrvatskoj jun 02 2020 Библиографія Югославији jan 22 2022 englesko hrvatski i hrvatsko engleski džepni rječnik feb 20 2022 priloz i građa jun 14 2021 theoria nov 19 2021

read free zadaci iz gramatike engleskog za 5 razred - Mar 04 2022

web zadaci iz gramatike engleskog za 5 razred the status of english in bosnia and herzegovina feb 21 2022 when yugoslavia disintegrated in the early 1990s competence in english was not widespread this book explores how english came to be equated with economic survival for many during

zadaci iz gramatike engleskog za 5 razred - May 06 2022

web zadaci iz gramatike engleskog za 5 razred i speak english mar 17 2022 inovativna reenja operacionog menadmenta za revitalizaciju privrede srbije aug 22 2022 essential 25000 english croatian law dictionary may 26 2020 a great resource anywhere you go it is an easy tool that has just the words you want and need

vežbanja za 5 razred archives learnlish - Sep 22 2023

web svaki od ovih glagola je u osnovnom obliku bez nastavaka tvoj zadatak ovde je da izabereš koji oblik sa nastavkom ing je tačan za ove glagole Želiš da naučiš engleski learnlish je onlajn program engleskog za decu

ixl grade 5 english practice - Dec 13 2022

web grade 5 english here is a list of english skills students learn in grade 5 these skills are organised into categories and you can move your mouse over any skill name to preview the skill to start practising just click on any link ixl will track your score and the questions will automatically increase in difficulty as you improve

engleski kroz igru u osnovi svake igre krije se duboka tajna - Nov 12 2022

web we would like to show you a description here but the site won t allow us

zadaci iz gramatike engleskog za 5 razred orientation sutd edu - Jun 19 2023

web zadaci iz gramatike engleskog za 5 razred jezik lekcije i zadaci iz matematike za 6 razred osnovne kole re enja zadataka i lekcije iz matematike za esti razred povr ina trougla i etvorougla celi brojevi matematika 5 kontrolni i pismeni zadaci za 5 razred osnovne kole engleski jezik 5 zbirka zadataka iz osnova elektrotehnike 1 prvi razred

engleski jezik 5 r oš skolica net - Oct 23 2023

web mjeseci na engleskom engleski jezik 5 razred engleski jezik 5 r oš tweet share share ostale vježbe engleski jezik 5 razred mjeseci na engleskom engleski jezik 5 razred vježba u pdf formatu za ispis past simple negative 5 r past simple positive 5 r past stranica je nastala iz ideje da se učenicima

5 razred engleski jezik nastavne aktivnosti wordwall - Mar 16 2023

web 10000 rezultata za 5 razred engleski jezik right on 1 subject personal pronouns razvrstaj u grupe autor floracic 5 razred engleski jezik months ordinal numbers sg spoji parove 5 razred engleski jezik 5 r adjectives comparison short adj uhvati krticu autor katarina107 5 razred engleski jezik

osnovna škola bukovac zagreb 5 razred skole hr - Apr 17 2023

web moj web predmeti engleski jezik 5 razred zabavni zadaci arhiva naših vijesti dragi učenici petih razreda u nastavku preuzmite dokument s linkovima sa zadacima za vježbu za pisanu provjeru aida kuljiš prof priloženi dokumenti gramaticke vježbe za 5 provjeru znanja linkovi docx

clever me 5 2 svezak profil klett - Feb 15 2023

web clever me 5 1 svezak nastavni listići iz engleskog jezika za 5 razred osnovne škole 1 dio pogledaj proizvod langenscheidt
universal dictionary hrv eng eng hrv pogledaj proizvod znam za više engleski 5 6 riječ po riječ zbirka zadataka za peti i šesti
razred osnovne škole pogledaj proizvod