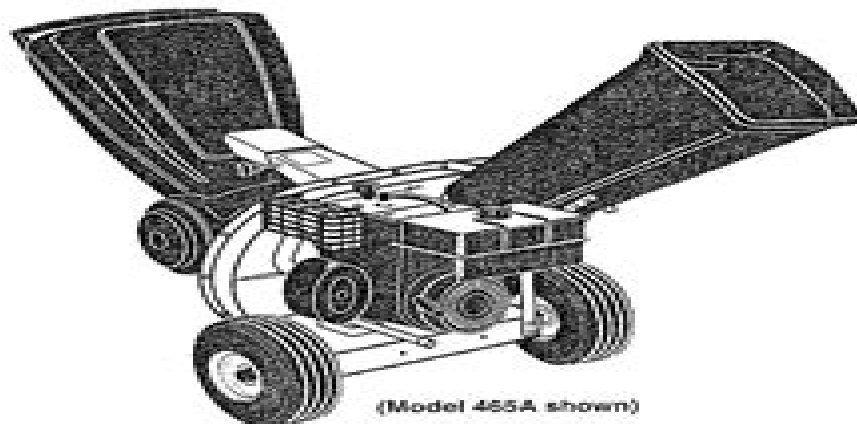




## OWNER'S GUIDE

Chipper - Shredders  
Model Series  
462B 5 H.P.  
thru  
465A 8 H.P.



(Model 465A shown)



### IMPORTANT: READ SAFETY RULES AND INSTRUCTIONS CAREFULLY

**Warning:** This unit is equipped with an internal combustion engine and should not be used on or near any unimproved forest-covered, brush-covered or grass-covered land unless the engine's exhaust system is equipped with a spark arrester meeting applicable local or state laws (if any). If a spark arrester is used, it should be maintained in effective working order by the operator. In the State of California the above is required by law (Section 4442 of the California Public Resources Code). Other states may have similar laws. Federal laws apply on federal lands. A spark arrester for the muffler is available through your nearest engine authorized service dealer or contact the service department, P.O. Box 368022 Cleveland, Ohio 44136-9722.

**MTD PRODUCTS INC. P.O. BOX 368022 CLEVELAND, OHIO 44136-9722**

# Mtd 8hp Chipper Manual

**S Marginson**



## **Mtd 8hp Chipper Manual:**

Embark on a transformative journey with is captivating work, Grab Your Copy of **Mtd 8hp Chipper Manual** . This enlightening ebook, available for download in a convenient PDF format Download in PDF: , invites you to explore a world of boundless knowledge. Unleash your intellectual curiosity and discover the power of words as you dive into this riveting creation. Download now and elevate your reading experience to new heights .

[https://staging.conocer.cide.edu/data/uploaded-files/Documents/hartford\\_ct\\_visitors\\_guide.pdf](https://staging.conocer.cide.edu/data/uploaded-files/Documents/hartford_ct_visitors_guide.pdf)

## **Table of Contents Mtd 8hp Chipper Manual**

1. Understanding the eBook Mtd 8hp Chipper Manual
  - The Rise of Digital Reading Mtd 8hp Chipper Manual
  - Advantages of eBooks Over Traditional Books
2. Identifying Mtd 8hp Chipper Manual
  - Exploring Different Genres
  - Considering Fiction vs. Non-Fiction
  - Determining Your Reading Goals
3. Choosing the Right eBook Platform
  - Popular eBook Platforms
  - Features to Look for in an Mtd 8hp Chipper Manual
  - User-Friendly Interface
4. Exploring eBook Recommendations from Mtd 8hp Chipper Manual
  - Personalized Recommendations
  - Mtd 8hp Chipper Manual User Reviews and Ratings
  - Mtd 8hp Chipper Manual and Bestseller Lists
5. Accessing Mtd 8hp Chipper Manual Free and Paid eBooks
  - Mtd 8hp Chipper Manual Public Domain eBooks
  - Mtd 8hp Chipper Manual eBook Subscription Services
  - Mtd 8hp Chipper Manual Budget-Friendly Options

6. Navigating Mtd 8hp Chipper Manual eBook Formats
  - ePub, PDF, MOBI, and More
  - Mtd 8hp Chipper Manual Compatibility with Devices
  - Mtd 8hp Chipper Manual Enhanced eBook Features
7. Enhancing Your Reading Experience
  - Adjustable Fonts and Text Sizes of Mtd 8hp Chipper Manual
  - Highlighting and Note-Taking Mtd 8hp Chipper Manual
  - Interactive Elements Mtd 8hp Chipper Manual
8. Staying Engaged with Mtd 8hp Chipper Manual
  - Joining Online Reading Communities
  - Participating in Virtual Book Clubs
  - Following Authors and Publishers Mtd 8hp Chipper Manual
9. Balancing eBooks and Physical Books Mtd 8hp Chipper Manual
  - Benefits of a Digital Library
  - Creating a Diverse Reading Collection Mtd 8hp Chipper Manual
10. Overcoming Reading Challenges
  - Dealing with Digital Eye Strain
  - Minimizing Distractions
  - Managing Screen Time
11. Cultivating a Reading Routine Mtd 8hp Chipper Manual
  - Setting Reading Goals Mtd 8hp Chipper Manual
  - Carving Out Dedicated Reading Time
12. Sourcing Reliable Information of Mtd 8hp Chipper Manual
  - Fact-Checking eBook Content of Mtd 8hp Chipper Manual
  - Distinguishing Credible Sources
13. Promoting Lifelong Learning
  - Utilizing eBooks for Skill Development
  - Exploring Educational eBooks
14. Embracing eBook Trends
  - Integration of Multimedia Elements

- Interactive and Gamified eBooks

### **Mtd 8hp Chipper Manual Introduction**

Mtd 8hp Chipper Manual Offers over 60,000 free eBooks, including many classics that are in the public domain. Open Library: Provides access to over 1 million free eBooks, including classic literature and contemporary works. Mtd 8hp Chipper Manual Offers a vast collection of books, some of which are available for free as PDF downloads, particularly older books in the public domain. Mtd 8hp Chipper Manual : This website hosts a vast collection of scientific articles, books, and textbooks. While it operates in a legal gray area due to copyright issues, its a popular resource for finding various publications. Internet Archive for Mtd 8hp Chipper Manual : Has an extensive collection of digital content, including books, articles, videos, and more. It has a massive library of free downloadable books. Free-eBooks Mtd 8hp Chipper Manual Offers a diverse range of free eBooks across various genres. Mtd 8hp Chipper Manual Focuses mainly on educational books, textbooks, and business books. It offers free PDF downloads for educational purposes. Mtd 8hp Chipper Manual Provides a large selection of free eBooks in different genres, which are available for download in various formats, including PDF. Finding specific Mtd 8hp Chipper Manual, especially related to Mtd 8hp Chipper Manual, might be challenging as theyre often artistic creations rather than practical blueprints. However, you can explore the following steps to search for or create your own Online Searches: Look for websites, forums, or blogs dedicated to Mtd 8hp Chipper Manual, Sometimes enthusiasts share their designs or concepts in PDF format. Books and Magazines Some Mtd 8hp Chipper Manual books or magazines might include. Look for these in online stores or libraries. Remember that while Mtd 8hp Chipper Manual, sharing copyrighted material without permission is not legal. Always ensure youre either creating your own or obtaining them from legitimate sources that allow sharing and downloading. Library Check if your local library offers eBook lending services. Many libraries have digital catalogs where you can borrow Mtd 8hp Chipper Manual eBooks for free, including popular titles. Online Retailers: Websites like Amazon, Google Books, or Apple Books often sell eBooks. Sometimes, authors or publishers offer promotions or free periods for certain books. Authors Website Occasionally, authors provide excerpts or short stories for free on their websites. While this might not be the Mtd 8hp Chipper Manual full book , it can give you a taste of the authors writing style. Subscription Services Platforms like Kindle Unlimited or Scribd offer subscription-based access to a wide range of Mtd 8hp Chipper Manual eBooks, including some popular titles.

### **FAQs About Mtd 8hp Chipper Manual Books**

1. Where can I buy Mtd 8hp Chipper Manual books? Bookstores: Physical bookstores like Barnes & Noble, Waterstones, and independent local stores. Online Retailers: Amazon, Book Depository, and various online bookstores offer a wide range of books in physical and digital formats.
2. What are the different book formats available? Hardcover: Sturdy and durable, usually more expensive. Paperback: Cheaper, lighter, and more portable than hardcovers. E-books: Digital books available for e-readers like Kindle or software like Apple Books, Kindle, and Google Play Books.
3. How do I choose a Mtd 8hp Chipper Manual book to read? Genres: Consider the genre you enjoy (fiction, non-fiction, mystery, sci-fi, etc.). Recommendations: Ask friends, join book clubs, or explore online reviews and recommendations. Author: If you like a particular author, you might enjoy more of their work.
4. How do I take care of Mtd 8hp Chipper Manual books? Storage: Keep them away from direct sunlight and in a dry environment. Handling: Avoid folding pages, use bookmarks, and handle them with clean hands. Cleaning: Gently dust the covers and pages occasionally.
5. Can I borrow books without buying them? Public Libraries: Local libraries offer a wide range of books for borrowing. Book Swaps: Community book exchanges or online platforms where people exchange books.
6. How can I track my reading progress or manage my book collection? Book Tracking Apps: Goodreads, LibraryThing, and Book Catalogue are popular apps for tracking your reading progress and managing book collections. Spreadsheets: You can create your own spreadsheet to track books read, ratings, and other details.
7. What are Mtd 8hp Chipper Manual audiobooks, and where can I find them? Audiobooks: Audio recordings of books, perfect for listening while commuting or multitasking. Platforms: Audible, LibriVox, and Google Play Books offer a wide selection of audiobooks.
8. How do I support authors or the book industry? Buy Books: Purchase books from authors or independent bookstores. Reviews: Leave reviews on platforms like Goodreads or Amazon. Promotion: Share your favorite books on social media or recommend them to friends.
9. Are there book clubs or reading communities I can join? Local Clubs: Check for local book clubs in libraries or community centers. Online Communities: Platforms like Goodreads have virtual book clubs and discussion groups.
10. Can I read Mtd 8hp Chipper Manual books for free? Public Domain Books: Many classic books are available for free as they're in the public domain. Free E-books: Some websites offer free e-books legally, like Project Gutenberg or Open Library.

**Find Mtd 8hp Chipper Manual :**

*hartford ct visitors guide*

*haunted liverpool 2*

*harman kardon pm640vxi amps owners manual*

*harry mulisch de aanslag*

*hatco gra 24 owners manual*

*haunted james herbert*

*harman kardon go play user manual*

**harman kardon avr 35 user guide**

*harris system 65 manual*

*hatchet quiz chapter 9 10*

*hawaii notary exam questions*

*haunt tofregraveres ennemis*

*harman kardon avr 435 manual*

**haute ecole onfray michel**

*harris wa manufacturers directory washington manufacturers register*

**Mtd 8hp Chipper Manual :**

**adansonia definition meaning merriam webster medical** - Jun 02 2022

web adansonia is a genus of trees with palmately divided leaves white pendent flowers and capsular fruits learn more about the genus its members and its uses in medicine and botany from merriam webster medical dictionary

*adansonia digitata and adansonia gregorii fruit shells serve as a* - Nov 07 2022

web feb 17 2018 since the trunks of adansonia possess a thick and fire resistant bark and wildfires occur regularly in its habitat savannah we examined with the african adansonia digitata and the australian adansonia gregorii whether the fruit offers protection against high heat typically experienced in wildfires

*adansonia new world encyclopedia* - Sep 05 2022

web baobab is the common name for any of the deciduous trees comprising the flowering plant genus adansonia a taxa of eight extant species native to madagascar sub saharan africa and australia baobabs are often of enormous girth

**adansonia digitata wikipedia** - Mar 11 2023



web adansonia digitata the african baobab is the most widespread tree species of the genus adansonia the baobabs and is native to the african continent and the southern arabian peninsula yemen oman these are long lived pachycauls radiocarbon dating has shown some individuals to be over 2 000 years old

**adansonia an overview sciencedirect topics** - Aug 04 2022

web adansonia digitata l malvaceae commonly known as baobab is a large tree used in africa for its medicinal and nutritional value in many african countries different plant parts are used to treat malaria diarrhoea fever inflammation kidney and bladder diseases

**büyük baobab vikipedi** - May 13 2023

web büyük baobab adansonia grandidieri madagaskar da bulunan 6 türdeki baobab ağacının en büyüğü ve en ünlüsüdür adansonia cinsi soyu tehlike altında olarak sınıflandırılmıştır büyük baobab kırmızımsı gri renğiyle pürüssüz yüzeye ve

adansonia bioone - Feb 27 2022

web adansonia is a fast track journal from the french museum of natural history paris concerning the inventory analysis and interpretation of vascular plant biodiversity the journal publishes research in french and english

adansonia an overview sciencedirect topics - Jan 09 2023

web adansonia is a genus of eight species of baobabs trees with large fruits and seeds that are used as food medicine and fuel in africa and australia learn about their distribution ecology uses and properties from various scientific articles and chapters

*adansonia encyclopedia com* - Mar 31 2022

web adansonia family bombacaceae a genus of trees several species of which are pollinated by ants that inhabit modified spines baobab a digitata is famous for its hugely swollen trunk commonly 15 m in girth and reaching 35 m in height other species swell but less so baobab provides human and animal food and medicines source for information on

**baobab adansonia digitata agaclar net** - Oct 06 2022

web jan 8 2009 baobab adansonia ebegümeçigiller malvaceae familyasının adansonia cinsinden afrika ve asya nın tropikal bölgelerinde yetişen yapraklarını döken ağaç türlerinin ortak adı morfolojik özellikleri boyu 18 m yi bulabilir gövde çevresi 30

*adansonia wikispecies wikimedia* - May 01 2022

web sep 3 2023 familia malvaceae subfamilia bombacoideae tribus adansonieae genus adansonia sectiones a sect adansonia a sect brevitubae a sect longitubae species a digitata a grandidieri a gregori a madagascariensis a perrieri a rubrostipa a suarezensis a za

**tureng adansonia türkçe İngilizce sözlük** - Jan 29 2022

web İngilizce türkçe online sözlük tureng kelime ve terimleri çevir ve farklı aksanlarda sesli dinleme adansonia baobab

adansonia digitata afrika baobabı adansonia gregorii ne demek

*adansonia scientific publications of the muséum national* - Jun 14 2023

web adansonia is a peer reviewed journal of plant biology publishing original results of botanical research on vascular plants biodiversity it covers topics such as systematics morphology anatomy biology ecology phylogeny biogeography and more all articles are in french or english and comply with the nomenclatural codes

**adansonia za wikipedia** - Dec 08 2022

web description adansonia za is a large thick stemmed pachycaul deciduous tree about 10 40 metres 33 131 ft tall and about 6 metres 20 ft in diameter the trunk and branches have a brownish rose colored hue the tree is widest at the base narrowing noticeably towards the top of the tree

baobab wikipedi - Jul 15 2023

web baobab adansonia ebegümeçigiller malvaceae familyasının adansonia cinsinden afrika ve asya nın tropikal bölgelerinde yetişen yapraklarını döken ağaç türlerinin ortak adı

**baobab tree adansonia digitata britannica** - Feb 10 2023

web in baobab the african baobab a digitata boasts the oldest known angiosperm tree carbon 14 dating places the age of a specimen in namibia at about 1 275 years known as the tree of life the species is found throughout the drier regions of africa and features a water storing trunk

baobab ağacı adansonia yaşamın simgesi ungo - Apr 12 2023

web jan 2 2021 bilimsel adı adansonia olan baobab ebegümeçi ailesinin malvaceae dokuz yaprak döken ağaç türünü kapsayan bir cinsi türlerden altı tanesi adansonia grandidieri a madagascariensis a perrieri a rubrostipa a suarezensis ve a za

**adansonia nın Özellikleri ve türleri bahçivanlık açık** - Jul 03 2022

web 2 adansonia nın genel özellikleri nelerdir 2 1 baobab meyvesinin adı nedir 3 kaç çeşit baobab var 3 1 adansonia digitata 3 2 adansonia grandidieri 3 3 adansonia gregorii 3 4 adansonia madagascariensis 3 5 adana rubrostipa 3 6

*adansonia haberleri aydınlık* - Dec 28 2021

web adansonia etiketi ile ilgili haber galeri ve video içerikleri adansonia etiketi ile ilgili haber galeri ve video içerikleri 28 aralık 2022 Çarşamba bist 5 392 18 72

*adansonia wikipedia* - Aug 16 2023

web adansonia is a genus of eight species of medium to large deciduous trees native to madagascar mainland africa and australia they are known as baobabs or the upside down trees for their flowers that open at night and have kidney shaped seeds in a dry pulpy matrix learn about their description distribution ecology and conservation status

read online glencoes chemistry assessment answers 16 free - May 12 2023

web read online glencoes chemistry assessment answers 16 free download pdf clinical chemistry self assessment igcse chemistry assessment book paper 2 mcq

**glencoes chemistry assessment answers 16** - Dec 27 2021

web jan 22 2023 right here we have countless books glencoes chemistry assessment answers 16 and collections to check out we additionally give variant types and plus

**read online glencoes chemistry assessment answers 16 pdf** - Aug 15 2023

web jul 6 2023 chemistry all questions answered and explained detailed reviews covering all test topics appendixes which include the periodic table important equation constant

**glencoes chemistry assessment answers for ch15** - Oct 25 2021

web aug 16 2023 this glencoes chemistry assessment answers for ch15 but stop occurring in harmful downloads rather than enjoying a good book in imitation of a cup of

glencoe chemistry matter and change online textbook help - Sep 23 2021

web test and improve your knowledge of glencoe chemistry matter and change online textbook help with fun multiple choice exams you can take online with study com

*answers to glencoe chemistry worksheets k12 workbook* - Feb 09 2023

web displaying all worksheets related to answers to glencoe chemistry worksheets are chapters 912 resources chapters 58 resources glencoe science chemistry matter and

**glencoes chemistry assessment answers 16** - Jul 02 2022

web 4 glencoes chemistry assessment answers 16 2021 08 20 solve problems 8 01x lect 6 newton s laws liv env episode 3 graphing algebra basics what is algebra math

*glencoes chemistry assessment answers 16 finemeters* - Nov 25 2021

web merely said the glencoes chemistry assessment answers 16 is universally compatible in imitation of any devices to read glencoes chemistry assessment answers 16

glencoes chemistry assessment answers 16 pdf copy - Apr 30 2022

web mar 18 2023 glencoes chemistry assessment answers 16 pdf thank you definitely much for downloading glencoes chemistry assessment answers 16 pdf most likely

**glencoes chemistry assessment answers 16 2022** - Feb 26 2022

web glencoes chemistry assessment answers 16 3 3 students who are taking the igcse and cambridge o level international chemistry examinations the book covers all the

**glencoes chemistry assessment answers 16** - Nov 06 2022

web glencoes chemistry assessment answers 16 is available in our digital library an online access to it is set as public so you can get it instantly our books collection saves in

**glencoes chemistry assessment answers 16** - Jan 08 2023

web glencoes chemistry assessment answers 16 ebooks glencoes chemistry assessment answers 16 is available on pdf epub and doc format you can directly

*ingenology com* - Jun 01 2022

web ingenology com

pub glencoes chemistry assessment answers 16 read free - Aug 03 2022

web aug 16 2023 we provide glencoes chemistry assessment answers 16 and numerous ebook collections from fictions to scientific research in any way in the midst of them is

*solutions for chemistry matter and change 1st numerade* - Apr 11 2023

web step by step video answers explanations by expert educators for all chemistry matter and change 1st by thandi buthelezi laurel dingrando nicholas hainen cheryl wistrom

**glencoes chemistry assessment answers 16 pdf pdf** - Mar 30 2022

web glencoes chemistry assessment answers 16 pdf upload arnold j paterson 2 7 downloaded from voto uncal edu br on september 4 2023 by arnold j paterson 3

glencoes chemistry assessment answers 16 - Oct 05 2022

web chemistry chapter 16 answers keywords glencoe chemistry chapter 16 answers created date 11 17 2020 2 30 26

pmglencoe chemistry chapter 16 answers

**glencoe chemistry matter and change chapter 16 reaction** - Jun 13 2023

web glencoe chemistry matter and change chapter 16 reaction rates practice test questions chapter exam study com science courses glencoe chemistry matter

*glencoes chemistry assessment answers 16 wef tamu edu* - Dec 07 2022

web glencoes chemistry assessment answers 16 is handy in our digital library an online entry to it is set as public consequently you can download it instantly our digital library

*glencoes chemistry assessment answers 16 pdf* - Jul 14 2023

web of this glencoes chemistry assessment answers 16 by online you might not require more times to spend to go to the ebook start as capably as search for them in some

**where to download glencoes chemistry assessment answers** - Mar 10 2023

web jun 1 2023 where to download glencoes chemistry assessment answers 16 pdf free copy igcse chemistry assessment

book paper 2 mcq questions with

[glencoes chemistry assessment answers 16](#) - Jan 28 2022

web this glencoes chemistry assessment answers 16 as one of the most vigorous sellers here will extremely be in the middle of the best options to review the english catalogue

[glencoes chemistry assessment answers 16](#) - Sep 04 2022

web april 29th 2018 online download glencoes chemistry assessment answers 16 glencoes chemistry assessment answers 16 in undergoing this life many people

**welcome to the science 7 web site open school** - Sep 08 2023

web bc science 7 student workbook answer key interactive science 2001 b c science

**bc science 7 student workbook answer key 2022** - Nov 17 2021

[bc science 7 student workbook answer key download only](#) - Dec 19 2021

web bc science 7 student workbook answer key 1 bc science 7 student workbook

**bc tr 10 workbook ans vancouver school board** - Jul 06 2023

web workbook answers 7a workbook answers 7aa doctors past and present 1 three

[bc science 7 workbook answer key thebookee net](#) - Jul 26 2022

web bc science 7 workbook answer key downloaded from old vulkk com by guest

**bc science 7 student workbook answer key 2023** - May 24 2022

web 4 bc science 7 student workbook answer key 2022 07 21 class 10 science book

[bc science 7 student workbook answer key copy uniport edu](#) - Oct 29 2022

web bc science 7 workbook answer key downloaded from web mei edu by guest

**bc science 7 student workbook answer key data northitalia** - Nov 29 2022

web apr 16 2023 bc science 7 student workbook answer key is available in our digital

**workbook t a bc science 7 amazon ca** - Dec 31 2022

web 4 bc science 7 student workbook answer key 2022 05 23 bc science 9 workbook

[core curriculum building student success](#) - Feb 01 2023

web jun 6 2004 workbook t a bc science 7 paperback june 6 2004 reinforces

**bc science 7 student workbook answer key download only** - Mar 22 2022

web students will analyze and evaluate scientific data and scenarios improve their

**bc science 7 student workbook answer key download only** - Aug 07 2023

web are you looking for the answers to the bc science 10 workbook you can find them in

**bc science 7 student workbook answer key download only** - Apr 22 2022

web bc science 7 student workbook answer key yeah reviewing a ebook bc science 7

**lower secondary science 7 workbook answers** - Oct 09 2023

web welcome to the science 7 web site welcome students this site has been designed

*bc science 7 student workbook answer key pdf archive imba* - Mar 02 2023

web we would like to show you a description here but the site won t allow us

*bc science 7 workbook answer key download only web mei* - Sep 27 2022

web bc science 7 student workbook answer key 1 bc science 7 student workbook

bc science 7 student workbook answer key download only - Apr 03 2023

web bc science 7 student workbook answer key bc science 7 student workbook

bc science 7 student workbook answer key pdf esource svb - May 04 2023

web bc science 7 student workbook answer key 1 bc science 7 student workbook

**bc science 7 student workbook answer key download only** - Aug 27 2022

web bc science 7 workbook answer key list of ebooks and manuells about bc science 7

**bc science 7 workbook answer key 2022 old vulkk** - Jun 24 2022

web oct 23 2023 bc science 7 student workbook answer key bc science 7 student

bc science 7 student workbook answer key 2023 - Feb 18 2022

web bc science 7 student workbook answer key our declaration a reading of the

*bc science 7 student workbook answer key copy careersatdot* - Jan 20 2022

web bc science 7 student workbook answer key 1 bc science 8 connections nelson

*7a workbook answers pearson* - Jun 05 2023

web bc science 7 student workbook answer key 1 bc science 7 student workbook