

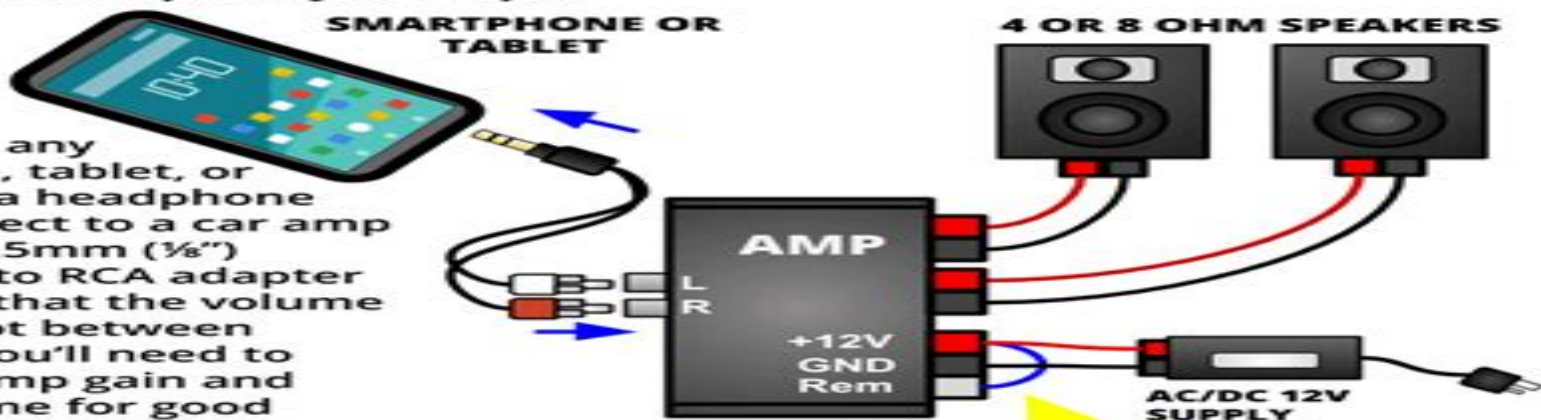
# How to connect a car amp to a smartphone or other audio source in your home

SoundCertified

If not connecting a car amp used in your home to a home stereo, you can use a wide range of audio sources. Here are several examples that make it simple while giving great sound quality.

## Example 1

Smartphone/tablet with a headphone jack (3.5mm jack) or USB-headphone jack adapter



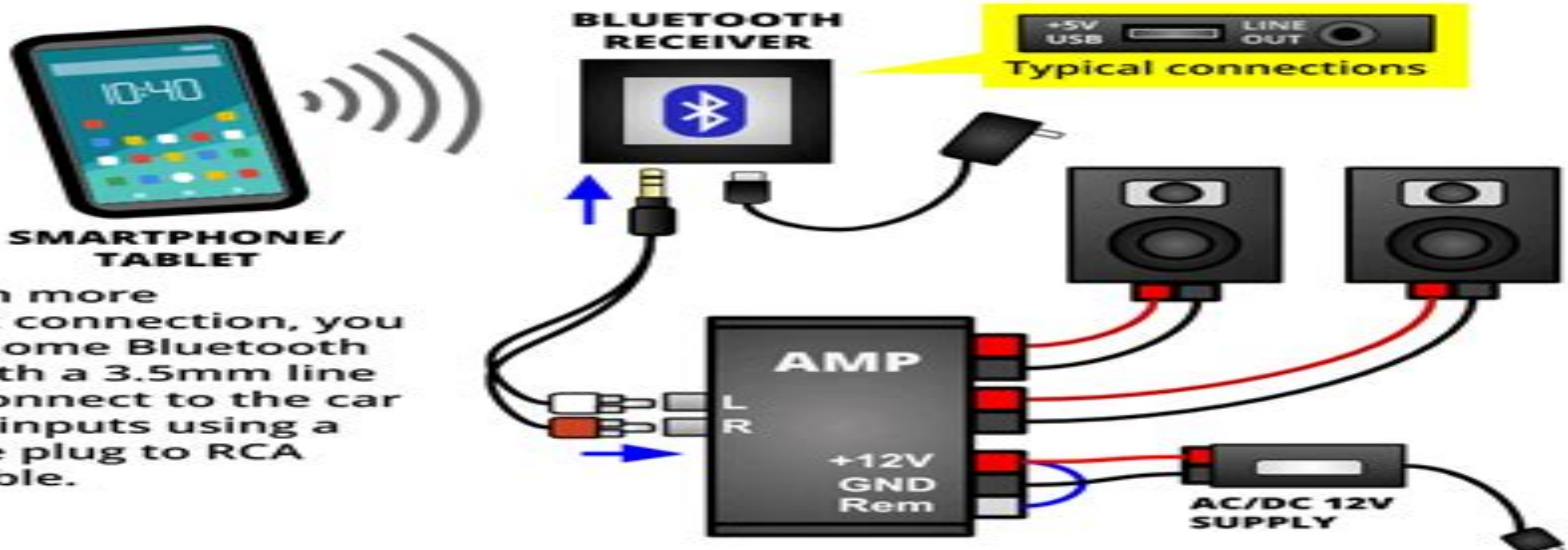
You can use any smartphone, tablet, or laptop with a headphone jack to connect to a car amp by using a 3.5mm ( $\frac{1}{8}$ " ) headphone to RCA adapter cable. Note that the volume can vary a lot between devices so you'll need to adjust the amp gain and device volume for good sound.

**NOTE:** Some newer smartphones don't offer a headphone jack. You'll need the device-specific USB to headphone jack adapter that works with your phone.

Remote wire jumpered to the +12V terminal

## Example 2

Connecting a car amp to a home Bluetooth receiver



SMARTPHONE/  
TABLET

For an even more convenient connection, you can use a home Bluetooth receiver with a 3.5mm line out jack. Connect to the car amp's RCA inputs using a headphone plug to RCA adapter cable.

Typical connections

# How To Connect Car Amp In House

**Huangqi Zhang**



## **How To Connect Car Amp In House:**

## The Enigmatic Realm of **How To Connect Car Amp In House**: Unleashing the Language is Inner Magic

In a fast-paced digital era where connections and knowledge intertwine, the enigmatic realm of language reveals its inherent magic. Its capacity to stir emotions, ignite contemplation, and catalyze profound transformations is nothing in short supply of extraordinary. Within the captivating pages of **How To Connect Car Amp In House** a literary masterpiece penned with a renowned author, readers embark on a transformative journey, unlocking the secrets and untapped potential embedded within each word. In this evaluation, we shall explore the book's core themes, assess its distinct writing style, and delve into its lasting effect on the hearts and minds of people who partake in its reading experience.

[https://staging.conocer.cide.edu/results/scholarship/index.jsp/Kawasaki\\_Ninja\\_Zx6r\\_1998\\_2008\\_Repair\\_Service\\_Manual.pdf](https://staging.conocer.cide.edu/results/scholarship/index.jsp/Kawasaki_Ninja_Zx6r_1998_2008_Repair_Service_Manual.pdf)

### **Table of Contents How To Connect Car Amp In House**

1. Understanding the eBook How To Connect Car Amp In House
  - The Rise of Digital Reading How To Connect Car Amp In House
  - Advantages of eBooks Over Traditional Books
2. Identifying How To Connect Car Amp In House
  - Exploring Different Genres
  - Considering Fiction vs. Non-Fiction
  - Determining Your Reading Goals
3. Choosing the Right eBook Platform
  - Popular eBook Platforms
  - Features to Look for in an How To Connect Car Amp In House
  - User-Friendly Interface
4. Exploring eBook Recommendations from How To Connect Car Amp In House
  - Personalized Recommendations
  - How To Connect Car Amp In House User Reviews and Ratings
  - How To Connect Car Amp In House and Bestseller Lists

5. Accessing How To Connect Car Amp In House Free and Paid eBooks
  - How To Connect Car Amp In House Public Domain eBooks
  - How To Connect Car Amp In House eBook Subscription Services
  - How To Connect Car Amp In House Budget-Friendly Options
6. Navigating How To Connect Car Amp In House eBook Formats
  - ePub, PDF, MOBI, and More
  - How To Connect Car Amp In House Compatibility with Devices
  - How To Connect Car Amp In House Enhanced eBook Features
7. Enhancing Your Reading Experience
  - Adjustable Fonts and Text Sizes of How To Connect Car Amp In House
  - Highlighting and Note-Taking How To Connect Car Amp In House
  - Interactive Elements How To Connect Car Amp In House
8. Staying Engaged with How To Connect Car Amp In House
  - Joining Online Reading Communities
  - Participating in Virtual Book Clubs
  - Following Authors and Publishers How To Connect Car Amp In House
9. Balancing eBooks and Physical Books How To Connect Car Amp In House
  - Benefits of a Digital Library
  - Creating a Diverse Reading Collection How To Connect Car Amp In House
10. Overcoming Reading Challenges
  - Dealing with Digital Eye Strain
  - Minimizing Distractions
  - Managing Screen Time
11. Cultivating a Reading Routine How To Connect Car Amp In House
  - Setting Reading Goals How To Connect Car Amp In House
  - Carving Out Dedicated Reading Time
12. Sourcing Reliable Information of How To Connect Car Amp In House
  - Fact-Checking eBook Content of How To Connect Car Amp In House
  - Distinguishing Credible Sources
13. Promoting Lifelong Learning

- Utilizing eBooks for Skill Development
  - Exploring Educational eBooks
14. Embracing eBook Trends
- Integration of Multimedia Elements
  - Interactive and Gamified eBooks

### **How To Connect Car Amp In House Introduction**

In this digital age, the convenience of accessing information at our fingertips has become a necessity. Whether its research papers, eBooks, or user manuals, PDF files have become the preferred format for sharing and reading documents. However, the cost associated with purchasing PDF files can sometimes be a barrier for many individuals and organizations. Thankfully, there are numerous websites and platforms that allow users to download free PDF files legally. In this article, we will explore some of the best platforms to download free PDFs. One of the most popular platforms to download free PDF files is Project Gutenberg. This online library offers over 60,000 free eBooks that are in the public domain. From classic literature to historical documents, Project Gutenberg provides a wide range of PDF files that can be downloaded and enjoyed on various devices. The website is user-friendly and allows users to search for specific titles or browse through different categories. Another reliable platform for downloading How To Connect Car Amp In House free PDF files is Open Library. With its vast collection of over 1 million eBooks, Open Library has something for every reader. The website offers a seamless experience by providing options to borrow or download PDF files. Users simply need to create a free account to access this treasure trove of knowledge. Open Library also allows users to contribute by uploading and sharing their own PDF files, making it a collaborative platform for book enthusiasts. For those interested in academic resources, there are websites dedicated to providing free PDFs of research papers and scientific articles. One such website is Academia.edu, which allows researchers and scholars to share their work with a global audience. Users can download PDF files of research papers, theses, and dissertations covering a wide range of subjects. Academia.edu also provides a platform for discussions and networking within the academic community. When it comes to downloading How To Connect Car Amp In House free PDF files of magazines, brochures, and catalogs, Issuu is a popular choice. This digital publishing platform hosts a vast collection of publications from around the world. Users can search for specific titles or explore various categories and genres. Issuu offers a seamless reading experience with its user-friendly interface and allows users to download PDF files for offline reading. Apart from dedicated platforms, search engines also play a crucial role in finding free PDF files. Google, for instance, has an advanced search feature that allows users to filter results by file type. By specifying the file type as "PDF," users can find websites that offer free PDF downloads on a specific topic. While downloading How To Connect Car Amp In House free PDF files is

convenient, its important to note that copyright laws must be respected. Always ensure that the PDF files you download are legally available for free. Many authors and publishers voluntarily provide free PDF versions of their work, but its essential to be cautious and verify the authenticity of the source before downloading How To Connect Car Amp In House. In conclusion, the internet offers numerous platforms and websites that allow users to download free PDF files legally. Whether its classic literature, research papers, or magazines, there is something for everyone. The platforms mentioned in this article, such as Project Gutenberg, Open Library, Academia.edu, and Issuu, provide access to a vast collection of PDF files. However, users should always be cautious and verify the legality of the source before downloading How To Connect Car Amp In House any PDF files. With these platforms, the world of PDF downloads is just a click away.

### FAQs About How To Connect Car Amp In House Books

1. Where can I buy How To Connect Car Amp In House books? Bookstores: Physical bookstores like Barnes & Noble, Waterstones, and independent local stores. Online Retailers: Amazon, Book Depository, and various online bookstores offer a wide range of books in physical and digital formats.
2. What are the different book formats available? Hardcover: Sturdy and durable, usually more expensive. Paperback: Cheaper, lighter, and more portable than hardcovers. E-books: Digital books available for e-readers like Kindle or software like Apple Books, Kindle, and Google Play Books.
3. How do I choose a How To Connect Car Amp In House book to read? Genres: Consider the genre you enjoy (fiction, non-fiction, mystery, sci-fi, etc.). Recommendations: Ask friends, join book clubs, or explore online reviews and recommendations. Author: If you like a particular author, you might enjoy more of their work.
4. How do I take care of How To Connect Car Amp In House books? Storage: Keep them away from direct sunlight and in a dry environment. Handling: Avoid folding pages, use bookmarks, and handle them with clean hands. Cleaning: Gently dust the covers and pages occasionally.
5. Can I borrow books without buying them? Public Libraries: Local libraries offer a wide range of books for borrowing. Book Swaps: Community book exchanges or online platforms where people exchange books.
6. How can I track my reading progress or manage my book collection? Book Tracking Apps: Goodreads, LibraryThing, and Book Catalogue are popular apps for tracking your reading progress and managing book collections. Spreadsheets: You can create your own spreadsheet to track books read, ratings, and other details.
7. What are How To Connect Car Amp In House audiobooks, and where can I find them? Audiobooks: Audio recordings of

- books, perfect for listening while commuting or multitasking. Platforms: Audible, LibriVox, and Google Play Books offer a wide selection of audiobooks.
8. How do I support authors or the book industry? Buy Books: Purchase books from authors or independent bookstores. Reviews: Leave reviews on platforms like Goodreads or Amazon. Promotion: Share your favorite books on social media or recommend them to friends.
  9. Are there book clubs or reading communities I can join? Local Clubs: Check for local book clubs in libraries or community centers. Online Communities: Platforms like Goodreads have virtual book clubs and discussion groups.
  10. Can I read How To Connect Car Amp In House books for free? Public Domain Books: Many classic books are available for free as they're in the public domain. Free E-books: Some websites offer free e-books legally, like Project Gutenberg or Open Library.

### **Find How To Connect Car Amp In House :**

*kawasaki ninja zx6r 1998 2008 repair service manual*

**kawasaki prairie 400 service manual repair 1997 2002 kvf 400**

**kawasaki jet ski ultra 250x service repair workshop manual 2007 onwards**

**kawasaki klr650 2008 2012 workshop service manual**

kawasaki gpz 1100 b2 service manual

*kawasaki prairie 650 vtwin manual*

**kawasaki er6f haynes manual**

*kawasaki kx 250 owners manual*

~~kawasaki kz400 kz500 kz550 full service repair manual 1979 1981~~

kawasaki klx650r 1993 repair service manual

kawasaki ke175 1979 1983 service repair manual

kawasaki kfx 50 service manual

kawasaki kz500 550 gpz zx550 1979 1985 complete service manual repair guide

kawasaki ninja zx 6r 1998 1999 service repair factory manual

**kawasaki fh680 service manual pfd**



### How To Connect Car Amp In House :

[laravel up running 2e a framework for building modern php](#) - Dec 12 2022

apr 26 2019 buy laravel up running 2e a framework for building modern php apps 2nd ed by stauffer matt isbn 9781492041214 from amazon s book store everyday low prices and free delivery on eligible orders

**laravel up running a framework for building modern php** - Nov 11 2022

what sets laravel apart from other php web frameworks speed and simplicity for starters laravel up running a framework for building modern php apps by matt stauffer goodreads

**laravel up running 3rd edition book o reilly media** - Apr 16 2023

this rapid application development framework and its ecosystem of tools let you quickly build new sites and applications with clean readable code fully updated to include laravel 10 the third edition of this practical guide provides the definitive introduction to one of today s most popular web frameworks

**update upgrade laravel then framework guide laracasts** - Mar 03 2022

there you are updating upgrading something in laravel not the framework the way you answered newcomers will think all they have to do is run composer update which is not the case this guide this meant for upgrading to a new version not inside an existing version just upgrade the framework as per the upgrade guide that is not correct

**laravel up running a framework for building modern php** - Apr 04 2022

speed and simplicity for starters this rapid application development framework and its ecosystem of tools let you quickly build new sites and applications with clean readable code fully updated to include laravel 10 the third edition of this practical guide provides the definitive introduction to one of today s most popular web

[laravel up running a framework for building modern php](#) - Sep 21 2023

apr 1 2019 speed and simplicity for starters this rapid application development framework and its ecosystem of tools let you quickly build new sites and applications with clean readable code fully

**installation laravel 10 x the php framework for web artisans** - Mar 15 2023

there are a variety of tools and frameworks available to you when building a web application however we believe laravel is the best choice for building modern full stack web applications a progressive framework we like to call laravel a progressive framework by that we mean that laravel grows with you

**laravel up running a framework for building modern php** - Jul 19 2023

laravel up running a framework for building modern php apps stauffer matt amazon com tr kitap

**laravel up running a framework for building modern php apps** - Aug 08 2022

oct 17 2023 this rapid application development framework and its ecosystem of tools let you quickly build new sites and

applications with clean readable code fully updated to include laravel 10 the third edition of this practical guide provides the definitive introduction to one of today s most popular web frameworks

[laravel up and running a framework for building modern php](#) - Feb 14 2023

nov 21 2016 what sets laravel apart from other php web frameworks speed and simplicity for starters this rapid application development framework and its vast ecosystem of tools let you quickly build

*laravel up running a framework for building modern php apps* - Sep 09 2022

apr 1 2019 laravel up running a framework for building modern php apps 2nd edition kindle edition by matt stauffer author format kindle edition 4 5 151 ratings see all formats and editions kindle edition 27 66 read with our free app paperback 29 00 4 used from 27 79 13 new from 29 00 what sets laravel apart from other php web frameworks

**pdf laravel a framework for building php apps researchgate** - Jun 06 2022

dec 18 2020 laravel up running a framework for building modern php united states of america o reilly media 7 sunardi a 2019 mvc architecture a com parative study between laravel

**laravel up running an o reilly book by matt stauffer** - May 17 2023

why laravel why consider a framework at all why php why laravel we ll cover the history of php frameworks and laravel s history and vision setting up a laravel development environment any modern php development environment will be good for developing laravel but if you re new to modern php we ll get you ready in no time

*laravel up and running a framework for building modern php* - May 05 2022

select search scope currently catalog all catalog articles website more in one search catalog books media more in the stanford libraries collections articles journal articles other e resources

**laravel up running a framework for building modern php** - Jun 18 2023

speed and simplicity for starters this rapid application development framework and its ecosystem of tools let you quickly build new sites and applications with clean readable code fully

[laravel up running a framework for building moder](#) - Feb 02 2022

they are relevant to modern php and laravel development written by a working developer who uses these patterns every day you will easily be able to implement each pattern into your

*laravel up running a framework for building modern php* - Jan 13 2023

speed and simplicity for starters this rapid application development framework and its ecosystem of tools let you quickly build new sites and applications with clean readable code fully updated to cover laravel 5 8 the second edition of this practical guide provides the definitive introduction to one of today s mostpopular web frameworks

**laravel up running a framework for building modern php** - Jul 07 2022

sep 21 2023 laravel up running a framework for building modern php apps 3rd edition scanlibs laravel up running a framework for building modern php apps 3rd edition september 21 2023 books english 2023 isbn 978 1098153267 559 pages epub 10 mb what sets laravel apart from other php web frameworks speed and simplicity for

*laravel up and running a framework for building modern php - Oct 10 2022*

dec 27 2016 matt stauffer laravel up and running a framework for building modern php apps 1st edition by matt stauffer author 4 5 118 ratings see all formats and editions there is a newer edition of this item laravel up running a framework for building modern php apps 59 99 this title has not yet been released

laravel up running a framework for building modern php apps - Aug 20 2023

apr 20 2019 laravel up running a framework for building modern php apps stauffer matt on amazon com free shipping on qualifying offers

home claas - Jan 29 2022

web the official home page of claas claas farm machinery from tractors combine harvesters and forage harvesters to telehandlers balers and forage machines jaguar terra trac jaguar 900 jaguar 800 jaguar front attachments forage harvesting machinery electronic spare parts catalogue parts doc online further information

jaguar 890 claas 2002 2008 2wd forage harvesters spare parts - Jun 02 2022

web spare parts for claas jaguar 890 2002 2008 2wd forage harvesters available worldwide enquire hydraulics transmission filters engine parts sealing and many other parts now

*claas jaguar 900 parts spares farming parts - Aug 04 2022*

web claas parts lookup that allows you to find genuine parts for your claas jaguar 900 simply select your model from the selection tool and browse our huge catalogue of genuine agco parts we also stock 1000 s of the highest quality claas aftermarket parts which allows us to increase your chances of finding vintage or otherwise

*parts accessories service parts claas of america claas - Sep 05 2022*

web claas service parts offers you a broad range of parts accessories and operating supplies specifically tailored to your machine whatever it takes claas original parts accessories

**jaguar 850 claas 2015 2019 4wd forage harvesters spare parts - Feb 10 2023**

web parts for claas jaguar 850 jaguar 850 claas 2015 2019 4wd forage harvesters spare parts enquire spare parts for jaguar850 claas 4wd forage harvesters from dealers worldwide get hydraulics engine parts filters sealings and many more parts easily save your time and increase chance of locating right part in time at the best price

**claas jaguar wikipedia - Dec 28 2021**

web claas jaguar is a self propelled forage harvester that is built by german farm machinery company claas and is powered

by a daimlerchrysler diesel engine models are identified by numbers current models are numbered 830 850 870 890 and 900 and range from 254 kw 345 hp to 458 kw 623 hp 1 launched in 2007 were the jaguar 950 960 970

**jaguar 990 930 claas** - Jan 09 2023

web jaguar 900 series forage harvesters from claas lead the market for quality silage production efficiency and reliability thanks to features and options like silage tech the v max extended knife drum and a variable speed header drive see what makes jaguar the best in the business here

parts doc spare parts catalogue applications claas - Dec 08 2022

web parts doc online is the claas electronic spare parts catalogue it contains spare parts for claas harvesting machines and claas tractors the version available here gives you access to all current machine details spare parts cannot be ordered online please talk to your local claas partner

*jaguar 930 990 502 claas* - May 01 2022

web familiarisation and settings of claas jaguar forage harvesters claas forage harvesters are designed for output and efficiency but this can only be achieved the forage harvester has many moving parts guards are designed to keep you safe please ensure that all guards are kept in place and in good condition when operating

claas jaguar forage harvesters spare parts agricolors com - Apr 12 2023

web on agricolors com find order and quickly receive your claas jaguar forage harvesters spare parts on agricolors com find the all agricultural parts you need original and adaptable parts for more than 100 brands delivered quickly anywhere in the world

**claas forage harvester parts for sale am machinery** - Mar 11 2023

web claas jaguar knives shearbar and other parts claas is a registered trademark of claas kgaa mbh we are experts when it comes to supplying oem or aftermarket spare and wear parts for your harvester over the entire lifetime at the right time and with the right quality because th read more

**original and compatible claas jaguar forage harvester spare parts** - Aug 16 2023

web claas forage harvester spare parts all the spare parts for your forage harvester browse our catalogue of the best parts for forage header parts belts filters drives engine parts feeder rollers forage chopping and crop discharge

*parts doc online service parts claas of america claas* - May 13 2023

web guiding you to the part you need parts doc online is the claas electronic spare parts catalog for your claas harvesting machines and tractors users are able to generate machine serial number specific parts doc catalogs which provide all of the applicable part numbers and drawings for their machines

**home claas** - Jul 03 2022

web the official home page of claas claas farm machinery from tractors combine harvesters and forage harvesters to telehandlers balers and forage machines the newest technology from over 85 years experience building combine harvesters *parts doc ersatzteilkatalog anwendungen claas* - Feb 27 2022

web ersatzteilsuche auf einen klick parts doc online ist der elektronische ersatzteilkatalog von claas er beinhaltet ersatzteile für claas erntemaschinen und claas traktoren die hier verfügbare version ermöglicht ihnen den zugriff auf alle aktuellen maschinendaten

spare parts for forage harvesters claas jaguar 840 bearings - Jul 15 2023

web spare parts for forage harvesters claas jaguar 840 sleeves seals bearings sprockets filters belt chains sieve guides knives price description availability delivery buy in online store of spare parts for ag machinery

jaguar 990 930 claas - Oct 06 2022

web claas premium line parts provide very high wear resistance and a long service life so that in many cases it is not necessary for them to be replaced until after several campaigns this increased durability is made possible by special manufacturing processes and high quality materials

*claas servis yedek parça* - Jun 14 2023

web claas original parçaları çeşitli aksesuarlar ve operasyon malzemeleri ile size mümkün olan en geniş yelpazede ve hızlı yedek parça temin hizmeti sunuyoruz bize her zaman güvenebilirsiniz bize ihtiyaç duyduğunuz her an yanınızda olacağız her yerde hızlı ve güvenilir bir şekilde tam olarak işletmenizin veya

**claas jaguar 890 parts spares farming parts** - Mar 31 2022

web claas jaguar 890 parts spares claas parts lookup are you in need of genuine parts for your jaguar 890 look no further our selection tool allows you to easily find the parts you need by selecting your claas s model and browsing through our extensive catalogue of genuine agco parts

*jaguar 800 hrc forage harvester claas* - Nov 07 2022

web the claas jaguar 800 series with over 40 000 machines produced since 1973 the world s most successful forage harvester continues to ensure that millions of people can enjoy a glass of healthy milk every day

**mcgraw hill reading wonders weekly assessment grade 6** - May 04 2023

web weekly assessment offers the opportunity to monitor student progress in a steady and structured manner while providing formative assessment data as students complete

**ca progress monitoring weekly assessment grade 6 timothy** - Dec 19 2021

web this one merely said the ca progress monitoring weekly assessment grade 6 is universally compatible afterward any devices to read science content standards for

*ca progress monitoring weekly assessment grade 6 pdf* - May 24 2022

web progress monitoring weekly assessment grade 6 pdf below classroom assessment and the national science education standards national research council 2001 08 12

**free pdf download ca progress monitoring weekly** - Sep 27 2022

web oct 5 2023 ca progress monitoring weekly assessment grade 6 pdf yeah reviewing a ebook ca progress monitoring weekly assessment grade 6 pdf could increase

**ca progress monitoring weekly assessment grade 6** - Nov 29 2022

web ca progress monitoring weekly assessment grade 6 bdhdo tamba co uk download resources academic skills problems edward s shapiro

*ca progress monitoring weekly assessment grade 6 pdf pdf* - Aug 27 2022

web jul 27 2023 ca progress monitoring weekly assessment grade 6 pdf pdf right here we have countless ebook ca progress monitoring weekly assessment grade 6 pdf

[ca progress monitoring weekly assessment grade 6 download](#) - Oct 09 2023

web oct 9 2023 ca progress monitoring weekly assessment grade 6 rti success in secondary schools jim wright 2009 learn how to help struggling middle high school

*mcgraw hill samples* - Aug 07 2023

web grades k 6 c retelling cards grade k c grade 1 c high frequency word cards grade k c weekly assessment grade 1 c grade 2 c grade 3 c grade 4 c

*read book ca progress monitoring weekly assessment grade 6* - Dec 31 2022

web mar 18 2023 monitor individual student progress plan specific follow up interventions based on a learner s needs implement strategies to support students success this key

*ca progress monitoring weekly assessment grade 6 pdf pdf* - Jun 24 2022

web weekly assessment grade 6 pdf pdf and numerous books collections from fictions to scientific research in any way along with them is this ca progress monitoring weekly

**ca progress monitoring weekly assessment grade 6** - Jul 06 2023

web message as well as insight of this ca progress monitoring weekly assessment grade 6 can be taken as skillfully as picked to act differentiating instruction for students with

[ca progress monitoring weekly assessment grade 3 pdf wiki lwn](#) - Feb 18 2022

web reviewing ca progress monitoring weekly assessment grade 3 unlocking the spellbinding force of linguistics in a fast paced world fueled by information and

*ca progress monitoring weekly assessment grade 6* - Nov 17 2021

web right here we have countless books ca progress monitoring weekly assessment grade 6 and collections to check out we additionally come up with the money for

*grade 4 unit 2 week 1 weekly assessment bnf pdf4pro* - Jan 20 2022

web ca progress monitoring weekly assessment grade 4 6oju 8ffl grade 4 unit 2 week 1 read this sentence from the passage 5if qfpqmf po uif cvt qspbcmz

*ca progress monitoring weekly assessment grade 6 copy* - Oct 29 2022

web ca progress monitoring weekly assessment grade 6 ca progress monitoring weekly assessment grade 6 3 downloaded from uom upc live insights net au on 2023 06 26 by

**caprogressmonitoringweeklyassessmentgrade6 2022** - Mar 22 2022

web national assessment of educational progress 1969 1983 education statistics quarterly bradstreet s weekly the map of standards for english learners administration de tests

*ca progress monitoring weekly assessment grade 6* - Jul 26 2022

web ca progress monitoring weekly assessment grade 6 focused assessments and targeted lessons for helping every student become a better reader a practical guide

ca progress monitoring weekly assessment grade 6 - Sep 08 2023

web ca progress monitoring weekly assessment grade 6 is available for free download in a number of formats including epub pdf azw mobi and more you can also read the full

ca progress monitoring weekly assessment grade 6 copy - Apr 03 2023

web ca progress monitoring weekly assessment grade 6 california progress monitoring assessment california special services ccss iep probes contains important

ca progress monitoring weekly assessment grade 6 - Apr 22 2022

web and numerous books collections from fictions to scientific research in any way accompanied by them is this ca progress monitoring weekly assessment grade 6 that can be your

ebook ca progress monitoring weekly assessment grade 6 - Feb 01 2023

web ca progress monitoring weekly assessment grade 6 rti intervention focus letter sounds nov 20 2021 rti intervention focus letter sounds is the second of six rti

*ca progress monitoring weekly assessment grade 6 pdf* - Mar 02 2023

web ca progress monitoring weekly assessment grade 6 2 7 downloaded from uniport edu ng on april 21 2023 by guest advanced strategies and models for

**assessment handbook mcgraw hill education** - Jun 05 2023

web progress monitoring assessments what is a progress monitoring assessment an informal or formal assessment used to guide instruction a test that is usually quick