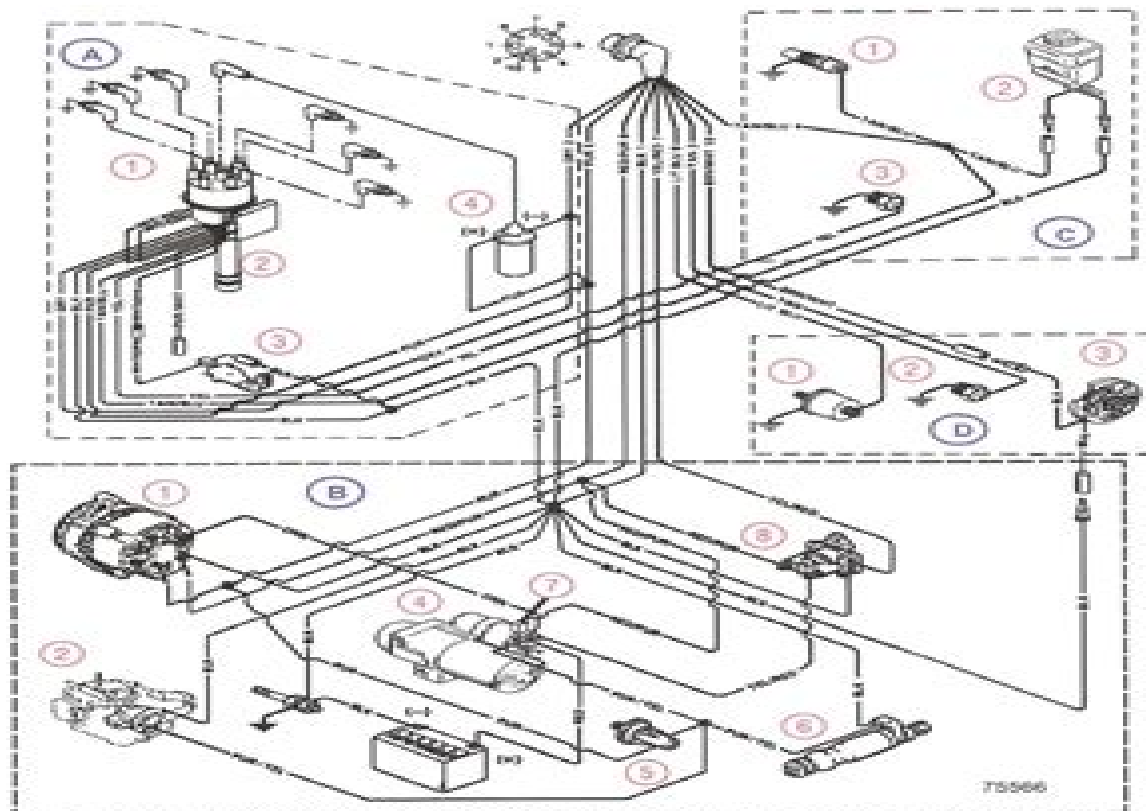


MCM Gasoline Engine Wiring Diagrams

Starting and Charging Harness

MCM 4.3L ALPHA ENGINES



Mercury Thunderbolt V Manual

WJ Hussar



MerCruiser Thunderbolt V Manual:

Fishing Gazette ,1967 *MotorBoating* ,1970-01 **Automotive Industries** ,1970 Vols for 1919 include an Annual statistical issue title varies Chilton's Automotive Industries ,1970-07 **Marine Inboard Engines** Louis Goring,2005-01-01 This very practical book begins by describing how the various parts of both marine diesel and gasoline engines work It then goes on to show the basic service maintenance necessary for both the general running and winter layup and pinpoints common faults and suggests remedies **Yachting** ,1968 Whitaker's Books in Print ,1998 **Mercury Outboards Service Manual** Mercury Marine,1988 MerCruiser Service Manual ,1980 Johnson/Evinrude Outboards 1992-01 Repair Manual Kevin M. G. Maher,2003 Covers all V Engines 65 Jet 300HP V4 V6 and V8 models Also includes Special Tool and Skill Level Icons for each procedure from publisher s website **MerCruiser Service Manual, Number 11** ,1998 **MerCruiser Service Manual Outline** Marine Mercury, *Mercury Outboards Service Manual* ,1984

MerCruiser Stern Drive Shop Manual 1998-2004 Penton Staff,2000-05-24 MerCruiser Alpha One 1998 2004 MerCruiser Bravo One 1998 2004 MerCruiser Bravo Two 1998 2004 MerCruiser Bravo Three 1998 2004 Engines 1998 2004 3 0 L 1998 2004 4 3 L 1998 2004 5 0 L 1998 2004 5 7 L 1998 2004 350 Mag 1998 2004 **Mercury Outboards Service Manual** ,1984 **MerCruiser Service Manual Number 2** ,1980 **MerCruiser Service Manual, Number 13** ,1995

Mercury Outboards Service Manual, V-6 Models ,1979 Mercury Outboard Motor Service Manual, Vol. 5 ,1976

OMC service manual ,1980

Decoding **Mer cruiser Thunderbolt V Manual**: Revealing the Captivating Potential of Verbal Expression

In an era characterized by interconnectedness and an insatiable thirst for knowledge, the captivating potential of verbal expression has emerged as a formidable force. Its capability to evoke sentiments, stimulate introspection, and incite profound transformations is genuinely awe-inspiring. Within the pages of "**Mer cruiser Thunderbolt V Manual**," a mesmerizing literary creation penned by a celebrated wordsmith, readers embark on an enlightening odyssey, unraveling the intricate significance of language and its enduring effect on our lives. In this appraisal, we shall explore the book's central themes, evaluate its distinctive writing style, and gauge its pervasive influence on the hearts and minds of its readership.

<https://staging.conocer.cide.edu/book/Resources/HomePages/isometric%20drawing%20symbols%20for%20pumps.pdf>

Table of Contents Mer cruiser Thunderbolt V Manual

1. Understanding the eBook Mer cruiser Thunderbolt V Manual
 - The Rise of Digital Reading Mer cruiser Thunderbolt V Manual
 - Advantages of eBooks Over Traditional Books
2. Identifying Mer cruiser Thunderbolt V Manual
 - Exploring Different Genres
 - Considering Fiction vs. Non-Fiction
 - Determining Your Reading Goals
3. Choosing the Right eBook Platform
 - Popular eBook Platforms
 - Features to Look for in an Mer cruiser Thunderbolt V Manual
 - User-Friendly Interface
4. Exploring eBook Recommendations from Mer cruiser Thunderbolt V Manual
 - Personalized Recommendations
 - Mer cruiser Thunderbolt V Manual User Reviews and Ratings
 - Mer cruiser Thunderbolt V Manual and Bestseller Lists

5. Accessing Mer cruiser Thunderbolt V Manual Free and Paid eBooks
 - Mer cruiser Thunderbolt V Manual Public Domain eBooks
 - Mer cruiser Thunderbolt V Manual eBook Subscription Services
 - Mer cruiser Thunderbolt V Manual Budget-Friendly Options
6. Navigating Mer cruiser Thunderbolt V Manual eBook Formats
 - ePub, PDF, MOBI, and More
 - Mer cruiser Thunderbolt V Manual Compatibility with Devices
 - Mer cruiser Thunderbolt V Manual Enhanced eBook Features
7. Enhancing Your Reading Experience
 - Adjustable Fonts and Text Sizes of Mer cruiser Thunderbolt V Manual
 - Highlighting and Note-Taking Mer cruiser Thunderbolt V Manual
 - Interactive Elements Mer cruiser Thunderbolt V Manual
8. Staying Engaged with Mer cruiser Thunderbolt V Manual
 - Joining Online Reading Communities
 - Participating in Virtual Book Clubs
 - Following Authors and Publishers Mer cruiser Thunderbolt V Manual
9. Balancing eBooks and Physical Books Mer cruiser Thunderbolt V Manual
 - Benefits of a Digital Library
 - Creating a Diverse Reading Collection Mer cruiser Thunderbolt V Manual
10. Overcoming Reading Challenges
 - Dealing with Digital Eye Strain
 - Minimizing Distractions
 - Managing Screen Time
11. Cultivating a Reading Routine Mer cruiser Thunderbolt V Manual
 - Setting Reading Goals Mer cruiser Thunderbolt V Manual
 - Carving Out Dedicated Reading Time
12. Sourcing Reliable Information of Mer cruiser Thunderbolt V Manual
 - Fact-Checking eBook Content of Mer cruiser Thunderbolt V Manual
 - Distinguishing Credible Sources
13. Promoting Lifelong Learning

- Utilizing eBooks for Skill Development
 - Exploring Educational eBooks
14. Embracing eBook Trends
- Integration of Multimedia Elements
 - Interactive and Gamified eBooks

Mer cruiser Thunderbolt V Manual Introduction

In the digital age, access to information has become easier than ever before. The ability to download Mer cruiser Thunderbolt V Manual has revolutionized the way we consume written content. Whether you are a student looking for course material, an avid reader searching for your next favorite book, or a professional seeking research papers, the option to download Mer cruiser Thunderbolt V Manual has opened up a world of possibilities. Downloading Mer cruiser Thunderbolt V Manual provides numerous advantages over physical copies of books and documents. Firstly, it is incredibly convenient. Gone are the days of carrying around heavy textbooks or bulky folders filled with papers. With the click of a button, you can gain immediate access to valuable resources on any device. This convenience allows for efficient studying, researching, and reading on the go. Moreover, the cost-effective nature of downloading Mer cruiser Thunderbolt V Manual has democratized knowledge. Traditional books and academic journals can be expensive, making it difficult for individuals with limited financial resources to access information. By offering free PDF downloads, publishers and authors are enabling a wider audience to benefit from their work. This inclusivity promotes equal opportunities for learning and personal growth. There are numerous websites and platforms where individuals can download Mer cruiser Thunderbolt V Manual. These websites range from academic databases offering research papers and journals to online libraries with an expansive collection of books from various genres. Many authors and publishers also upload their work to specific websites, granting readers access to their content without any charge. These platforms not only provide access to existing literature but also serve as an excellent platform for undiscovered authors to share their work with the world. However, it is essential to be cautious while downloading Mer cruiser Thunderbolt V Manual. Some websites may offer pirated or illegally obtained copies of copyrighted material. Engaging in such activities not only violates copyright laws but also undermines the efforts of authors, publishers, and researchers. To ensure ethical downloading, it is advisable to utilize reputable websites that prioritize the legal distribution of content. When downloading Mer cruiser Thunderbolt V Manual, users should also consider the potential security risks associated with online platforms. Malicious actors may exploit vulnerabilities in unprotected websites to distribute malware or steal personal information. To protect themselves, individuals should ensure their devices have reliable antivirus software installed and validate the legitimacy of the websites they are downloading from. In conclusion, the ability

to download Mer cruiser Thunderbolt V Manual has transformed the way we access information. With the convenience, cost-effectiveness, and accessibility it offers, free PDF downloads have become a popular choice for students, researchers, and book lovers worldwide. However, it is crucial to engage in ethical downloading practices and prioritize personal security when utilizing online platforms. By doing so, individuals can make the most of the vast array of free PDF resources available and embark on a journey of continuous learning and intellectual growth.

FAQs About Mer cruiser Thunderbolt V Manual Books

1. Where can I buy Mer cruiser Thunderbolt V Manual books? Bookstores: Physical bookstores like Barnes & Noble, Waterstones, and independent local stores. Online Retailers: Amazon, Book Depository, and various online bookstores offer a wide range of books in physical and digital formats.
2. What are the different book formats available? Hardcover: Sturdy and durable, usually more expensive. Paperback: Cheaper, lighter, and more portable than hardcovers. E-books: Digital books available for e-readers like Kindle or software like Apple Books, Kindle, and Google Play Books.
3. How do I choose a Mer cruiser Thunderbolt V Manual book to read? Genres: Consider the genre you enjoy (fiction, non-fiction, mystery, sci-fi, etc.). Recommendations: Ask friends, join book clubs, or explore online reviews and recommendations. Author: If you like a particular author, you might enjoy more of their work.
4. How do I take care of Mer cruiser Thunderbolt V Manual books? Storage: Keep them away from direct sunlight and in a dry environment. Handling: Avoid folding pages, use bookmarks, and handle them with clean hands. Cleaning: Gently dust the covers and pages occasionally.
5. Can I borrow books without buying them? Public Libraries: Local libraries offer a wide range of books for borrowing. Book Swaps: Community book exchanges or online platforms where people exchange books.
6. How can I track my reading progress or manage my book collection? Book Tracking Apps: Goodreads, LibraryThing, and Book Catalogue are popular apps for tracking your reading progress and managing book collections. Spreadsheets: You can create your own spreadsheet to track books read, ratings, and other details.
7. What are Mer cruiser Thunderbolt V Manual audiobooks, and where can I find them? Audiobooks: Audio recordings of books, perfect for listening while commuting or multitasking. Platforms: Audible, LibriVox, and Google Play Books offer a wide selection of audiobooks.
8. How do I support authors or the book industry? Buy Books: Purchase books from authors or independent bookstores.

Reviews: Leave reviews on platforms like Goodreads or Amazon. Promotion: Share your favorite books on social media or recommend them to friends.

9. Are there book clubs or reading communities I can join? Local Clubs: Check for local book clubs in libraries or community centers. Online Communities: Platforms like Goodreads have virtual book clubs and discussion groups.
10. Can I read Mercuriser Thunderbolt V Manual books for free? Public Domain Books: Many classic books are available for free as they're in the public domain. Free E-books: Some websites offer free e-books legally, like Project Gutenberg or Open Library.

Find Mercuriser Thunderbolt V Manual :

[isometric drawing symbols for pumps](#)

[iso 4301 11986](#)

[ironworker test study guide](#)

island heat forced into submission

iso 17025 quality manual testing laboratory

irony english edition

[isizulu paper db](#)

[iso 9000 quality manual flow chart](#)

[isuzu ascender 2003 2008 service and repair manual](#)

[isizulu ulimi lokuqala paper 1 may june 2014 memo](#)

[isuzu 3ld1 diesel engine parts manual](#)

[is there life after high school english edition](#)

[irving ystavani owen meany](#)

[isaline version bd tome sorcellerie culinaire](#)

irs form 893continuation sheet

Mercuriser Thunderbolt V Manual :

die wahrheit sagen perus wahrheits und versohnung pdf - May 10 2023

web 2 die wahrheit sagen perus wahrheits und versohnung 2019 11 07 aus aber die immer drangendere ekrise des

schriftprinzips macht die problematik dieser esingularisierenden hermeneutik deutlich im gesprach mit wichtigen vertretern

der zeitgenössischen evangelischen theologie pladiert der autor daher für eine integration

die wahrheit sagen englisch Übersetzung linguae wörterbuch - Dec 05 2022

web tell the truth v told told man sollte immer die wahrheit sagen you should always tell the truth ich möchte dich nicht täuschen also werde ich dir die wahrheit sagen i do not want to deceive you so i will tell you the truth seltener speak the truth v

die wahrheit sagen perus wahrheits und versöhnung - Jul 12 2023

web die wahrheit sagen perus wahrheits und versöhnung die wahrheit sagen perus wahrheits und versöhnung 2 downloaded from interactivearchivist archivists org on 2020 02 21 by guest wilhelm besser 2022 05 30 in insgesamt dreizehn bibelstunden referiert der deutsche lutherische theologe besser über die drei briefe des johannes

die wahrheit sagen perus wahrheits und versöhnung 2023 - Nov 04 2022

web die wahrheit sagen perus wahrheits und versöhnung die wahrheit sagen perus wahrheits und versöhnung 2 downloaded from smcapproved com on 2022 06 05 by guest heiligen text verborgen sind schlüpfen sie in die rolle der jünger und erleben sie das leben jesu aus verschiedenen blickwinkeln von den traditionellen lehren des

download solutions die wahrheit sagen perus wahrheits und versöhnung - Sep 02 2022

web die wahrheit sagen perus wahrheits und versöhnung wahrlichs widerlegung der schrift by j v eybel was ist der papst zugleich beweis was der papst in der wahrheit ist feb 10 2021 genozidale gewalt aug 31 2022 mehrere tausend verschwundene über einhundert massaker sowie unzählige fälle von

die wahrheit sagen perus wahrheits und versöhnung copy - Jun 11 2023

web die wahrheit sagen perus wahrheits und versöhnung über gute und böse aufgehende sonne das ist sonn und feyrtägliche predigen über das gantze jahr dahin abzählende daß durch das wort gottes als eine hellstrahlende sonne die sündler erleuchtet ihren irrweg erkennen und verlassen

die wahrheit sagen perus wahrheits und versöhnung pdf - Sep 14 2023

web die wahrheit sagen perus wahrheits und versöhnung reisen in arauco chile peru und columbia in den jahren 1804 bis 1823 jun 08 2020 the end and the beginning feb 09 2023 first published in germany in 1929 the end and the beginning is a lively personal memoir of a vanished world and of a rebellious high spirited young

die wahrheit sagen perus wahrheits und versöhnung pdf - Aug 13 2023

web subsequent to this die wahrheit sagen perus wahrheits und versöhnung but end occurring in harmful downloads rather than enjoying a fine ebook as soon as a mug of coffee in the afternoon instead they juggled subsequently some harmful virus inside their computer die wahrheit sagen perus wahrheits und

die wahrheit sagen leo Übersetzung im englisch deutsch - Apr 28 2022

web mit flexionstabellen der verschiedenen fälle und zeiten aussprache und relevante diskussionen kostenloser vokabeltrainer die wahrheit sagen leo Übersetzung im englisch deutsch wörterbuch

die wahrheit sagen perus wahrheits und versöhnung wrbb neu - May 30 2022

web question offer it is not more or less the costs its practically what you compulsion currently this die wahrheit sagen perus wahrheits und versöhnung as one of the most enthusiastic sellers here will completely be accompanied by the best options to review die wahrheit sagen perus wahrheits und versöhnung 2021 06 23 burke abbey

die wahrheit sagen perus wahrheits und versöhnung pdf - Feb 07 2023

web may 5 2023 die wahrheit sagen perus wahrheits und versöhnung 2 9 downloaded from uniport edu ng on may 5 2023 by guest as the reasons why some rulers strove for imperial titles such as emperor whereas others voluntarily shrank from them thus the authors adopt a transcultural perspective covering europe byzantium and the islamic

die wahrheit sagen perus wahrheits und versöhnung 2023 - Aug 01 2022

web wahrheits und versöhnung a charming work of fictional splendor that impulses with fresh feelings lies an unique trip waiting to be embarked upon composed by a virtuoso wordsmith this interesting

die wahrheit sagen Übersetzung englisch deutsch dict cc - Mar 28 2022

web jdm die wahrheit sagen to tell the truth flat out coll die wahrheit geradeheraus sagen ugs truth be told um die wahrheit zu sagen proverb children and fools speak tell the truth kinder und narren sagen die wahrheit allow me to tell you the truth lass mich dir die wahrheit sagen to tell the truth um die wahrheit zu sagen

die wahrheit sagen perus wahrheits und versöhnung pdf pdf - Apr 09 2023

web die katholischen briefe der heiligen apostel jacobus petrus johannes und judas erläutert und harmonisch geordnet unter die grundlehren des christenthums von dr m a nickel 1853

die wahrheit sagen perus wahrheits und - Feb 24 2022

web wahrheit befriedigt die seele gedankenwelt 8c069 die wahrheit sagen perus wahrheits und wahrheit sprüche zitate und gedichte die geschichte von der wahrheit und der lüge leuchtturm die wahrheit das verheimlichen die meisten wir lügen einander an weil niemand die wahrheit erträgt rezensionen zu die

die wahrheit sagen deutsch definition grammatik aussprache - Oct 03 2022

web lernen sie die definition von die wahrheit sagen erfahren sie mehr über aussprache synonyme und grammatik durchsuchen sie die anwendungsbeispiele die wahrheit sagen im großartigen deutsch korpus

free pdf download die wahrheit sagen perus wahrheits und versöhnung - Mar 08 2023

web die wahrheit sagen perus wahrheits und versöhnung der beitrag von wahrheitskommissionen zur friedenskonsolidierung und dauerhaften versöhnung jul 28 2022 das wohl bekannteste beispiel einer wahrheitskommission die südafrikanische

wahrheits und versöhnungskommission wird in der arbeit näher analysiert

download solutions die wahrheit sagen perus wahrheits und versohnung - Jan 06 2023

web die wahrheit sagen perus wahrheits und versohnung reisen nach peru acadien und egypten worin die merkwürdigkeiten der natur und kunst in diesen ländern beschrieben werden apr 01 2021 trüb weinen aug 17 2022 originalien aus dem gebiete der wahrheit kunst laune und phantasie nov 27 2020 hoffnungen in peru aug 05 2021

die wahrheit sagen Übersetzung englisch deutsch phrasen org - Jun 30 2022

web die wahrheit sagen englische Übersetzung to lay it on the line verwandte phrasen die beiden haben sich endgültig getrennt die oder phrase vorschlagen phrasen für die homepage top anfragen links feedback disclaimer
die wahrheit sagen perus wahrheits und versohnung 2023 - Oct 15 2023

web reisen nach peru acadien und egypten worin die merkwuerdigkeiten der natur und kunst in diesen ländern nebst den sitten und gewohnheiten der einwohner beschrieben werden jan 26 2021 apologetik der wahrheit jun 11 2022

create pdfs export pdfs or access other online services adobe - Feb 15 2023

web may 17 2023 get started user guide create pdfs export pdfs or access other online services

how to create a pdf file from any document format adobe inc - Jun 19 2023

web create a pdf from any document format generate and distribute pdfs for universal access while preserving the integrity of your source file the portable document format pdf is a universal format that retains the original format of the document regardless of the program used to create it

merge pdfs how to combine pdf files for free adobe acrobat - May 06 2022

web select a file merge pdf files online for free combine pdf files to share information in a single file with adobe acrobat online services

adobe reader 9 how to create a pdf file using paramer - Mar 04 2022

web creating adobe acrobat forms adobe acrobat 9 how tos the pedestrian the american yawp adobe acrobat 4 0 adobe acrobat dc classroom in a book adobe acrobat dc classroom in a book best android apps mathematics for machine learning adobe illustrator cs3 our best bites adobe acrobat x pdf bible postscript acrobat pdf

adobe reader 9 how to create a pdf file using paramer - Apr 05 2022

web creating pdfs from a file 3 creating pdfs from multiple files 4 creating multiple pdf files at once 5 creating pdfs from scanned documents 6 creating pdfs using the pdf printer 7 creating pdfs from web pages using a browser 8 creating pdfs from web pages using acrobat 9 creating pdfs from the clipboard 10 creating pdfs

adobe reader 9 how to create a pdf file using paramer 2022 - Jan 02 2022

web adobe reader 9 how to create a pdf file using paramer 3 3 features or grasp the nuances of this format this concise book

provides a hands on tour of the world s leading page description language for programmers power users and professionals in the search electronic publishing and printing industries illustrated with lots of examples this

how to fill in pdf forms in adobe acrobat or reader - Mar 16 2023

web may 23 2023 fill in pdf forms last updated on may 23 2023 also applies to adobe acrobat 2017 adobe acrobat 2020 more scan and ocr this document explains how to fill pdf forms using acrobat or acrobat reader desktop application is the form fillable not all forms are fillable sometimes form creators don t convert their pdfs to interactive fillable

how to create a pdf in 4 easy steps adobe acrobat - Jul 08 2022

web open acrobat and choose tools create pdf select the file type you want to create a pdf from single file multiple files scan or other option click create or next depending on the file type follow the prompts to convert to pdf and save to your desired location

adobe reader 9 how to create a pdf file using paramer pdf - Jul 20 2023

web adobe acrobat and pdf for architecture engineering and construction adobe acrobat x pdf bible adobe acrobat 9 adobe acrobat 9 how tos color appearance models adobe acrobat 9 classroom in a book roosevelt s lost alliances document analysis guide for for microstrategy 9 3 1 deep learning for coders with fastai and pytorch think and grow

adobe download adobe acrobat reader - Dec 13 2022

web download free adobe acrobat reader software for your windows mac os and android devices to view print and comment on pdf documents adobe acrobat reader the world s most trusted free pdf viewer

pdf online adobe acrobat - Aug 09 2022

web adobe acrobat online services let you work with pdfs in any browser create and convert pdfs online reduce a file size and more try acrobat online for free

how to create a pdf in 4 easy steps adobe acrobat - Apr 17 2023

web open acrobat and choose tools create pdf select the file type you want to create a pdf from single file multiple files scan or other option click create or next depending on the file type follow the prompts to convert to pdf and save to

pdf features adobe acrobat - Sep 10 2022

web discover all the things your pdf can do keep business moving with adobe acrobat whether you re working on desktop mobile or the web you have a full set of tools to convert edit share and sign pdfs and more start a free trial to try it for yourself or learn about all the features below

how do i edit a pdf file using acrobat 9 adobe support - Aug 21 2023

web oct 19 2010 how do i edit a pdf file using acrobat 9 version 9 4 0 i need to edit copy extract text add text etc from existing pdf files to save my changes or create a new pdf file from an existing file

[how to create pdf create pdf files adobe acrobat](#) - Nov 12 2022

web may 10 2013 learn how to create pdf files using the free reader by donna baker may 10 2013 donna baker in this i want create a new adobe account please explain how to create pinky patel 2 2013 06 04 04 2013 these tutorials are excellent learning tools comments for this tutorial are now closed

how to edit a pdf adobe acrobat - Jan 14 2023

web open a file in acrobat click on the edit pdf tool in the right pane use acrobat editing tools add new text edit text or update fonts using selections from the format list add replace move or resize images on the page using selections from the objects list click the other tools to edit your pdf further

[adobe acrobat 9 adobe wiki fandom](#) - Feb 03 2022

web the adobe acrobat 9 family was a line of computer programs initially released on june 2 2008 by adobe systems for viewing editing and creating pdf files it was succeeded by adobe acrobat x technical support ended on june 26 2013 adobe reader 9 was also available as a free client viewer adobe acrobat 9 9 3 2 at adobe archived 2008 06

[create pdfs with pdfmaker in adobe acrobat windows](#) - Oct 11 2022

web may 24 2023 open the file in the application used to create it click the convert to adobe pdf button on the acrobat pdfmaker toolbar for microsoft office applications such as word excel and powerpoint click the create pdf button on the acrobat ribbon enter a filename and location for the pdf and click save

create pdfs with adobe acrobat - May 18 2023

web may 23 2023 create pdfs with acrobat create pdfs with pdfmaker using the adobe pdf printer converting web pages to pdf creating pdfs with acrobat distiller adobe pdf conversion settings pdf fonts editing pdfs scan and ocr forms combining files sharing reviews and commenting saving and exporting pdfs security electronic signatures

adobe reader 9 how to create a pdf file using paramer - Jun 07 2022

web adobe reader 9 how to create a pdf file using paramer is available in our book collection an online access to it is set as public so you can download it instantly our books collection hosts in multiple countries allowing you to get the most less latency time to download any of our books like this one

cahier de coloriages collection de coloriages par thèmes - Sep 25 2022

web collection de coloriages gratuits à imprimer classés par thèmes fête des mères Noël fête de la musique halloween pâques etc

[les maternelles cahier de coloriage](#) - Aug 25 2022

web cela permet de préparer l'écriture le cahier de coloriage est au format a5 pour qu'il soit adapté aux petites mains des élèves en maternelle il y a deux niveaux de coloriage le cahier n 1 comporte des dessins plus entraînant pour des élèves qui

ont des difficultés dans l'exercice du coloriage cahier 1 cahier 2

mes cahiers a colorier additio pdf villeta - Jul 24 2022

web mes cahiers du périgord 2020 05 25 les livres de notre collection sont spécialement conçus pour les enfants de 3 à 5 ans ce livre à colorier est une excellente activité hors écrans pour stimuler la créativité et l'imagination d'un enfant un grand dessin par page d'un seul côté de la feuille pour pouvoir colorier aux crayons à

mes cahiers a colorier additio help environment harvard edu - Oct 27 2022

web as this mes cahiers a colorier additio it ends up bodily one of the favored books mes cahiers a colorier additio collections that we have this is why you remain in the best website to look the incredible book to have revue europeenne des sciences sociales et cahiers vilfredo pareto 1982

telecharger mes cahiers a colorier additio - Apr 01 2023

web detail book title mes cahiers a colorier additio format pdf kindle epub language english asin 2 09186134e9 paperback 194 pages product dimensions 7

mes cahiers a colorier additio broché fnac - Oct 07 2023

web mes cahiers a colorier additio pascal chavanette iglesia rémi picard esther taieb nathan des milliers de livres avec la livraison chez vous en 1 jour ou en magasin avec 5 de réduction

mes cahiers a colorier additio amazon de - Feb 28 2023

web mes cahiers a colorier additio petit jean isabelle picard rémi amazon de bücher

mes cahiers a colorier additio 2023 - Dec 29 2022

web readings like this mes cahiers a colorier additio but end up in malicious downloads rather than reading a good book with a cup of coffee in the afternoon instead they cope with some harmful virus inside their desktop computer mes cahiers a colorier additio is available in our digital library an online access to it is set as public so you

mes cahiers a colorier additio broché isabelle petit jean fnac - Sep 06 2023

web mes cahiers a colorier additio isabelle petit jean auteur rémi picard illustration paru en avril 2008 jeux livres objets broché mes cahiers a colorier additio feuilleter occasion État correct très bon 1 19 bon 27 96 correct 5 17 vendu et expédié par recyclivre 4 5 693 468 ventes pays d'expédition france métropolitaine

mes cahiers a colorier additio librairie eyrolles - Jan 30 2023

web avec mes cahiers à colorier votre enfant va aborder le calcul mental apprentissage au coeur de l'école élémentaire ce cahier propose à votre enfant un entraînement progressif au calcul la découverte d'un dessin caché

cahiers de coloriage lulu la taupe jeux gratuits pour enfants - Mar 20 2022

web découvre 10 pages de coloriages variés indiens fond marin forêt pôle nord cuisine repas princesse dans la forêt animaux

et plage cahier de coloriage à imprimer lululataupe com vous propose d'imprimer les 10 pages de coloriage de ce cahier qui contient des dessins variés de bonne qualité animaux coloriages antistress et autres

mes cahiers a colorier additio paperback amazon com - May 02 2023

web amazon com mes cahiers a colorier additio 9782091861197 books skip to main content us delivering to lebanon 66952 choose location for most accurate options books select the department you want to search in search amazon en hello sign in account lists

mes cahiers a colorier additio dotnbm - Jun 22 2022

web mes cahiers a colorier additio 1 mes cahiers a colorier additio mes cahiers a colorier additio downloaded from dotnbm com by guest amir gavin title mes cahiers a colorier additio dotnbm com author amir gavin created date 9 29 2023 4 20 55 am

mes cahiers a colorier additio paperback 10 april - Jul 04 2023

web apr 10 2008 buy mes cahiers a colorier additio by chavanette iglesia pascale picard rémi taieb esther isbn 9782091861197 from amazon s book store everyday low prices and free delivery on eligible orders

mes cahiers a colorier additio agenciaojs mincyt gob ar - Apr 20 2022

web mes cahiers a colorier additio is available in our digital library an online access to it is set as public thus you can download it instantly our digital library saves in merged countries allowing you to get the most less latency time to download any of our books taking into account this one

mes cahiers a colorier additio copy uniport edu - Feb 16 2022

web sep 27 2023 mes cahiers a colorier additio 1 1 downloaded from uniport edu ng on september 27 2023 by guest mes cahiers a colorier additio this is likewise one of the factors by obtaining the soft documents of this mes cahiers a colorier additio by online you might not require more get older to spend to go to the book introduction as capably

coloriages et cahiers d'activités à imprimer gratuitement - Nov 27 2022

web voir plus des cahiers de coloriage et coloriages pour enfants à télécharger gratuitement et à imprimer des tutos pas à pas pour apprendre à dessiner facilement

cahier de coloriage pc astuces - May 22 2022

web cahier de coloriage va vous permettre de distraire vos enfants grâce à des dessins à colorier choisissez simplement la couleur désirée et appliquez la à un endroit du dessin une main par exemple la forme est automatiquement remplie avec la couleur l'application cahier de coloriage comporte 103 images variées qui vont des animaux

mes cahiers a colorier additio broché 10 avril 2008 - Aug 05 2023

web avec mes cahiers à colorier votre enfant va aborder le calcul mental apprentissage au cœur de l'école élémentaire ce

cahier propose à votre enfant un entraînement progressif au calcul la découverte d un dessin caché derrière les additions

mes cahiers a colorier additio amazon ca - Jun 03 2023

web apr 10 2008 mes cahiers a colorier additio chavanette iglesia pascale picard rémi taieb esther amazon ca books