

Home

- Start the Page
- Home
- Important Safety Issues
- Warnings, Cautions, and Notes
- Troubleshoot
- Shift Selector Terminals and Signal
- Table of Contents
- Section 1 General Description
 - 1-1 Transmission
 - 1-2 Electronic Control Unit (ECU)
 - 1-3 Shift Selector
 - 1-4 Throttle Position Sensor
 - 1-5 Speed Sensor
 - 1-6 Control Module
 - 1-7 Wiring Harness
 - 1-8 Vehicle Interface Module
 - 1-9 Throttle Actuator
- Section 2 Definitions and Abbreviations
 - 2-1 Do Not Shift Light
 - 2-2 Diagnostic Code Reader
 - 2-3 Misinformation
- Section 3 Basic Knowledge
 - 3-1 Basic Knowledge Required
 - 3-2 Using the Troubleshooting
 - 3-3 Safety Overview
 - 3-4 Important Information in This
 - 3-5 Beginning the Troubleshooting
- Section 4 Wire Check Procedures
 - 4-1 Checking Lights, Wiper, Br
 - 4-2 Checking of Transmission C
- Section 5 Oil Level Sensor
 - 5-1 Electronic Oil Level Check
 - 5-2 Electronic Oil Level Check
- Section 6 Diagnostic Codes
 - 6-1 Diagnostic Code Memory
 - 6-2 Code Reading and Code De
 - 6-3 Diagnostic Code Response
 - 6-4 Shift Selector Display Hold
 - 6-5 Diagnostic Code (all) and Dr
 - 6-6 Diagnostic Code Troublesh
- Section 7 Input and Output Functions
 - 7-1 Input Functions
 - 7-2 Output Functions
- Section 8 General Troubleshooting
 - 8-1 Electronic and Hydraulic Troubl
- Appendix Table of Contents

APPENDIX E — CONNECTOR PART NUMBERS, TERMINAL PART NUMBERS, TOOL PART NUMBERS, AND REPAIR INSTRUCTIONS

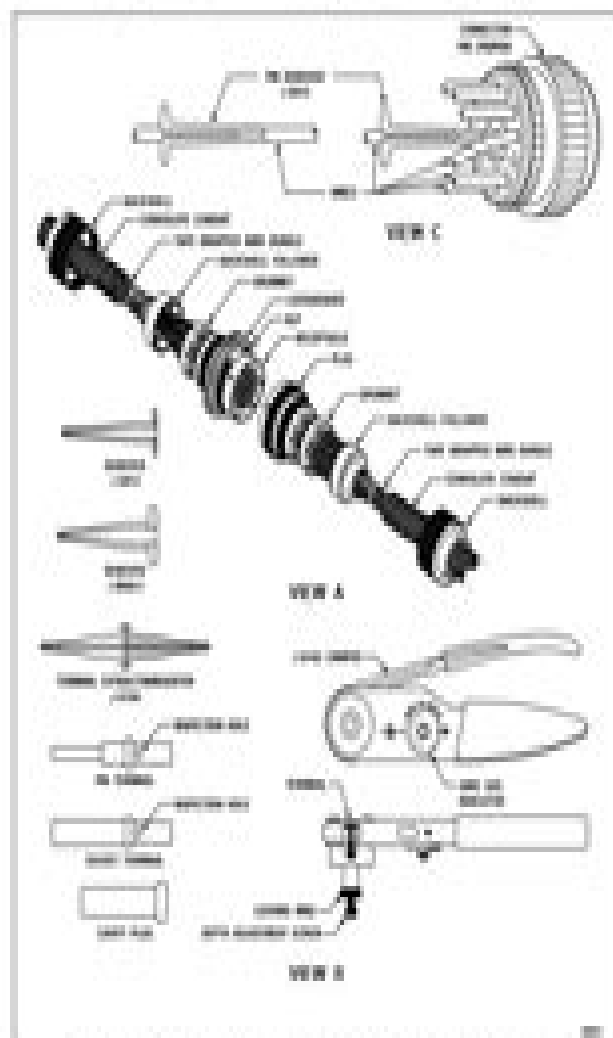


Figure E-1 Vehicle Interface Module Connector (2-1 Pin Ballhead, 2-Pin Feedthrough Terminals, 10-Pin Terminal Block Terminals, 4-Pin Terminal 200)

APPENDIX E — CONNECTOR PART NUMBERS, TERMINAL PART NUMBERS, TOOL PART NUMBERS, AND REPAIR INSTRUCTIONS

1-8. SEE THE SPEED CONNECTORS (2-1 PIN BALLHEAD, 2-PIN FEEDTHROUGH TERMINALS, 10-PIN OPTIONAL, 10-PIN OPTIONAL, 4-PIN OPTIONAL 200).

A. Connector Terminal Types

| | |
|------------------------------|-----------------------------|
| Crimping Tool | 1-1032 |
| Stripper Tool | 2-1035 (2 Pin 200 Ballhead) |
| Wire/Cable Crimping Tool | 2-1036 (2 Pin 200 Ballhead) |
| Remover Tool (200 Connector) | 2-1037 (4-PIN-200) |

| Pin | Description | Pin |
|---|-------------------------|---------|
| Ballhead Connector — 200 | 2-1 Pin Plug (200) | 2000001 |
| | Terminal (200) | 2000002 |
| | Crimp Plug | 2000003 |
| | 2-1 Pin Plug (200) | 2000004 |
| | Terminal (200) | 2000005 |
| | Crimp Plug | 2000006 |
| | 2-1 Pin Plug (200) | 2000007 |
| | Terminal (200) | 2000008 |
| | Crimp Plug | 2000009 |
| | 2-1 Pin Plug (200) | 2000010 |
| | Terminal (200) | 2000011 |
| | Crimp Plug | 2000012 |
| | 2-1 Pin Plug (200) | 2000013 |
| | Terminal (200) | 2000014 |
| | Crimp Plug | 2000015 |
| Ballhead Connector/Transmission Connector — 200 | Connector Plug (20 Pin) | 2000016 |
| | 2-1 Pin Plug | 2000017 |
| | Terminal (200) | 2000018 |
| | Crimp Plug | 2000019 |
| | Ballhead Connector | 2000020 |
| | Ballhead Connector | 2000021 |
| | Ballhead Connector | 2000022 |
| Ballhead Connector/Transmission Connector — 200 | Connector (20 Pin) Plug | 2000023 |
| | 2-1 Pin Plug | 2000024 |
| | Terminal (200) | 2000025 |
| | Crimp Plug | 2000026 |
| | Ballhead Connector | 2000027 |
| | Ballhead Connector | 2000028 |
| | Ballhead Connector | 2000029 |
| | Ballhead Connector | 2000030 |

Md3060 Allison Transmission Manual

L Darling-Hammond



Md3060 Allison Transmission Manual:

Skoolie! Will Sutherland, 2019-10-15 School buses that have been converted into mobile living spaces known as skoolies are a natural extension of the tiny house craze Buses are not only easier and safer to drive than an RV they provide a jump start on the conversion process with frame roof and floor already in place Experienced builder Will Sutherland whose creative school bus conversions have been featured in Road and Track and Popular Mechanics is behind the wheel of this alluring look at life on the road In addition to profiles of eight fellow skoolie fans and stunning photos of bus interiors designed for simple living Skoolie does what no other book on the subject has it offers a complete step by step guide to the conversion process from seat removal to planning layout and installing insulation flooring and furnishings that meet your needs , *Fleet Owner* ,2006 International Trucks Fred Crismon, 1995 Illustrated history of the world s major truck manufacture The International Harvester Company IHC Quarto **Ohio Monthly Record** ,1997 Rules of state administrative agencies In full text with tables and index including chart of proposed rules with time and location of public hearings **Annual Index/abstracts of SAE Technical Papers** ,1998 **Chilton's Commercial Carrier Journal for Professional Fleet Managers** ,1994-07 **Waste Age** ,1992 The official magazine of Waste Expo *Allison Transmission* General Motors Corporation. Allison Transmission Division, 2004 Service Manual, Allison Transmission General Motors Corporation. Allison Transmission Division, 1996

Embark on a transformative journey with is captivating work, Discover the Magic in **Md3060 Allison Transmission Manual** . This enlightening ebook, available for download in a convenient PDF format Download in PDF: , invites you to explore a world of boundless knowledge. Unleash your intellectual curiosity and discover the power of words as you dive into this riveting creation. Download now and elevate your reading experience to new heights .

https://staging.conocer.cide.edu/About/scholarship/Documents/editors_under_fire.pdf

Table of Contents Md3060 Allison Transmission Manual

1. Understanding the eBook Md3060 Allison Transmission Manual
 - The Rise of Digital Reading Md3060 Allison Transmission Manual
 - Advantages of eBooks Over Traditional Books
2. Identifying Md3060 Allison Transmission Manual
 - Exploring Different Genres
 - Considering Fiction vs. Non-Fiction
 - Determining Your Reading Goals
3. Choosing the Right eBook Platform
 - Popular eBook Platforms
 - Features to Look for in an Md3060 Allison Transmission Manual
 - User-Friendly Interface
4. Exploring eBook Recommendations from Md3060 Allison Transmission Manual
 - Personalized Recommendations
 - Md3060 Allison Transmission Manual User Reviews and Ratings
 - Md3060 Allison Transmission Manual and Bestseller Lists
5. Accessing Md3060 Allison Transmission Manual Free and Paid eBooks
 - Md3060 Allison Transmission Manual Public Domain eBooks
 - Md3060 Allison Transmission Manual eBook Subscription Services
 - Md3060 Allison Transmission Manual Budget-Friendly Options

6. Navigating Md3060 Allison Transmission Manual eBook Formats
 - ePub, PDF, MOBI, and More
 - Md3060 Allison Transmission Manual Compatibility with Devices
 - Md3060 Allison Transmission Manual Enhanced eBook Features
7. Enhancing Your Reading Experience
 - Adjustable Fonts and Text Sizes of Md3060 Allison Transmission Manual
 - Highlighting and Note-Taking Md3060 Allison Transmission Manual
 - Interactive Elements Md3060 Allison Transmission Manual
8. Staying Engaged with Md3060 Allison Transmission Manual
 - Joining Online Reading Communities
 - Participating in Virtual Book Clubs
 - Following Authors and Publishers Md3060 Allison Transmission Manual
9. Balancing eBooks and Physical Books Md3060 Allison Transmission Manual
 - Benefits of a Digital Library
 - Creating a Diverse Reading Collection Md3060 Allison Transmission Manual
10. Overcoming Reading Challenges
 - Dealing with Digital Eye Strain
 - Minimizing Distractions
 - Managing Screen Time
11. Cultivating a Reading Routine Md3060 Allison Transmission Manual
 - Setting Reading Goals Md3060 Allison Transmission Manual
 - Carving Out Dedicated Reading Time
12. Sourcing Reliable Information of Md3060 Allison Transmission Manual
 - Fact-Checking eBook Content of Md3060 Allison Transmission Manual
 - Distinguishing Credible Sources
13. Promoting Lifelong Learning
 - Utilizing eBooks for Skill Development
 - Exploring Educational eBooks
14. Embracing eBook Trends
 - Integration of Multimedia Elements

- Interactive and Gamified eBooks

Md3060 Allison Transmission Manual Introduction

In this digital age, the convenience of accessing information at our fingertips has become a necessity. Whether its research papers, eBooks, or user manuals, PDF files have become the preferred format for sharing and reading documents. However, the cost associated with purchasing PDF files can sometimes be a barrier for many individuals and organizations. Thankfully, there are numerous websites and platforms that allow users to download free PDF files legally. In this article, we will explore some of the best platforms to download free PDFs. One of the most popular platforms to download free PDF files is Project Gutenberg. This online library offers over 60,000 free eBooks that are in the public domain. From classic literature to historical documents, Project Gutenberg provides a wide range of PDF files that can be downloaded and enjoyed on various devices. The website is user-friendly and allows users to search for specific titles or browse through different categories. Another reliable platform for downloading Md3060 Allison Transmission Manual free PDF files is Open Library. With its vast collection of over 1 million eBooks, Open Library has something for every reader. The website offers a seamless experience by providing options to borrow or download PDF files. Users simply need to create a free account to access this treasure trove of knowledge. Open Library also allows users to contribute by uploading and sharing their own PDF files, making it a collaborative platform for book enthusiasts. For those interested in academic resources, there are websites dedicated to providing free PDFs of research papers and scientific articles. One such website is Academia.edu, which allows researchers and scholars to share their work with a global audience. Users can download PDF files of research papers, theses, and dissertations covering a wide range of subjects. Academia.edu also provides a platform for discussions and networking within the academic community. When it comes to downloading Md3060 Allison Transmission Manual free PDF files of magazines, brochures, and catalogs, Issuu is a popular choice. This digital publishing platform hosts a vast collection of publications from around the world. Users can search for specific titles or explore various categories and genres. Issuu offers a seamless reading experience with its user-friendly interface and allows users to download PDF files for offline reading. Apart from dedicated platforms, search engines also play a crucial role in finding free PDF files. Google, for instance, has an advanced search feature that allows users to filter results by file type. By specifying the file type as "PDF," users can find websites that offer free PDF downloads on a specific topic. While downloading Md3060 Allison Transmission Manual free PDF files is convenient, its important to note that copyright laws must be respected. Always ensure that the PDF files you download are legally available for free. Many authors and publishers voluntarily provide free PDF versions of their work, but its essential to be cautious and verify the authenticity of the source before downloading Md3060 Allison Transmission Manual. In conclusion, the internet offers numerous platforms and websites that allow users to download free PDF files legally. Whether

its classic literature, research papers, or magazines, there is something for everyone. The platforms mentioned in this article, such as Project Gutenberg, Open Library, Academia.edu, and Issuu, provide access to a vast collection of PDF files. However, users should always be cautious and verify the legality of the source before downloading Md3060 Allison Transmission Manual any PDF files. With these platforms, the world of PDF downloads is just a click away.

FAQs About Md3060 Allison Transmission Manual Books

How do I know which eBook platform is the best for me? Finding the best eBook platform depends on your reading preferences and device compatibility. Research different platforms, read user reviews, and explore their features before making a choice. Are free eBooks of good quality? Yes, many reputable platforms offer high-quality free eBooks, including classics and public domain works. However, make sure to verify the source to ensure the eBook credibility. Can I read eBooks without an eReader? Absolutely! Most eBook platforms offer web-based readers or mobile apps that allow you to read eBooks on your computer, tablet, or smartphone. How do I avoid digital eye strain while reading eBooks? To prevent digital eye strain, take regular breaks, adjust the font size and background color, and ensure proper lighting while reading eBooks. What the advantage of interactive eBooks? Interactive eBooks incorporate multimedia elements, quizzes, and activities, enhancing the reader engagement and providing a more immersive learning experience. Md3060 Allison Transmission Manual is one of the best book in our library for free trial. We provide copy of Md3060 Allison Transmission Manual in digital format, so the resources that you find are reliable. There are also many Ebooks of related with Md3060 Allison Transmission Manual. Where to download Md3060 Allison Transmission Manual online for free? Are you looking for Md3060 Allison Transmission Manual PDF? This is definitely going to save you time and cash in something you should think about.

Find Md3060 Allison Transmission Manual :

editors under fire

edmunds 1992 used car prices volume u2603

education in america

edge of time

educational theory a theory of conduct from aristotle to dewey

education in evolution church state society and popular education 1800-1870

edinorodnaia doch roman

educating exceptional pupils an introduction to contemporary practices

educacion fisica en el segundo ciclo de primaria

ed ruscha and photography

edexcel btec

~~education 89-90~~

education for mathematics in the workplace

~~edgar cayce- the sleeping prophet~~

edmunds new cars prices and reviews american and imports 1997

Md3060 Allison Transmission Manual :

By Roger A. Arnold - Economics (11th Revised edition) (1/ ... By Roger A. Arnold - Economics (11th Revised edition) (1/15/13) [unknown author] on Amazon.com. *FREE* shipping on qualifying offers. By Roger A. Arnold ... Economics: 9781133189756 Dr. Roger A. Arnold is Professor of Economics at California State University San Marcos, where his fields of specialization include general microeconomic theory ... Economics. Roger A. Arnold | Rent - Chegg Authors: Roger A Arnold ; Full Title: Economics. Roger A. Arnold ; Edition: 11th edition ; ISBN-13: 978-1133582311 ; Format: Paperback/softback. Arnold, Roger A.: 9781133189756 - Economics Dr. Roger A. Arnold is Professor of Economics at California State University San Marcos, where his fields of specialization include general microeconomic ... Roger A. Arnold | Get Textbooks Microeconomics(11th Edition) (with Videos: Office Hours Printed Access Card) (MindTap Course List) by Roger A. Arnold Paperback, 560 Pages, Published 2013 ... Economics - Roger A. Arnold A complete introduction to basic principles of economics for the two-term course. Also available in micro and macro paperback splits. Economics by Roger Arnold Buy Economics by Roger Arnold ISBN 9781285738321 1285738322 12th edition or 2015 edition ... 11th edition which is nearly identical to the newest editions. We ... Economics by Roger A. Arnold: New (2013) ISBN: 9781133189756 - Hardcover - Thomson Learning - 2013 - Condition: New - pp. 912 11th Edition - Economics. Arnold Roger A Arnold | Get Textbooks Microeconomics(11th Edition) (with Videos: Office Hours Printed Access Card) (MindTap Course List) by Roger A. Arnold Paperback, 560 Pages, Published 2013 ... List of books by author Roger A. Arnold See 1 Edition. Economics (Joliet Junior College) Edition: 11th 1285896556 Book Cover. Economics (Joliet Junior College)... by Roger A. Arnold. \$7.39. Format ... Baseball Depth Chart Template - Fill Online, Printable, Fillable ... Fill Baseball Depth Chart Template, Edit online. Sign, fax and printable from PC, iPad, tablet or mobile with pdfFiller ☐ Instantly. Try Now! Baseball Field Diagram With Positions - Fill Online, Printable ... Fill Baseball Field Diagram With Positions, Edit online. Sign, fax and printable from PC, iPad, tablet or mobile with pdfFiller ☐ Instantly. Try Now! Baseball Field Lineup Template - Fill Out and Use This PDF A baseball field lineup template is a document that can be

used to keep track of the sequence and positions of all players on the field for every inning. The ... Printable Baseball Diamond Diagram Print a Free Baseball Diamond Diagram. Baseball Diamond Diagram to Show Positions. Printable Baseball Diamond Layout ... Fillable Brackets. Fillable PDF ... 33 Printable Baseball Lineup Templates [Free Download] Apr 29, 2021 — This is a template which lists all of the positions, their locations, and the best places for the players to play on the field. For younger ... Baseball Depth Chart Form - Fill Out and Sign Printable ... Baseball Depth Chart Template. Check out how easy it is to complete and eSign documents online using fillable templates and a powerful editor. Free Youth Baseball Fielding Lineups This baseball lineup template automatically creates fair fielding rotations for your youth baseball or softball team. Just fill in your players' names in ... Baseball Diagrams and Templates - free printable drawing Apollo's Templates offers free baseball field diagrams and templates that can be customized and printed. Editable Baseball Line up and Field Position Printable Sheet. This is a great tool for baseball coaches who want to create their own line up sheets for their teams. Link to receive template file for use in Canva will be ... Countering the Conspiracy to Destroy Black Boys The author clarifies the beliefs of the more educated black (African Americans) and Caucasians (other ethnic groups too) towards black males starting at an ... Countering the Conspiracy to Destroy Black Boys, Vol. 1 Offering suggestions to correct the dehumanization of African American children, this book explains how to ensure that African American boys grow up to be ... Countering The Conspiracy to Destroy Black Boys (1987) Classic video companion to the million selling book series by Jawanza Kunjufu is still relevant 3 decades later. Countering The Conspiracy to Destroy Black Boys (1987) It's a very masculinist attitude that is based partially on seeing black men as animalistic, but putting that in a good light, as if to say, ... Countering the Conspiracy to Destroy Black Boys by Jawanza ... This book answers such questions as Why are there more black boys in remedial and special education classes than girls? Why are more girls on the honor roll? Countering the Conspiracy to Destroy Black Boys - YouTube Countering the Conspiracy to Destroy Black Boys by Dr. ... by Dr. Jawanza Kunjufu. Paperback. Tags: Psychology. \$18.00. Countering the Conspiracy to Destroy Black Boys Vol. 3 by ... Countering the Conspiracy to Destroy Black Boys Vol. 3 by Dr. Jawanza Kunjufu. \$12.95Price. Quantity. Add to Cart. Buy Now. MeJah Books, Inc. Countering the Conspiracy to Destroy Black Boys This book will help you identify the problems and give you ideas for solutions for saving our young black boys at their most pivotal age. I discovered this ... Countering the Conspiracy to Destroy Black Boys / Edition 2 Advice for parents, educators, community, and church members is provided in this guide for ensuring that African American boys grow up to be strong,