

Lift locking ring to
remove lid with seal

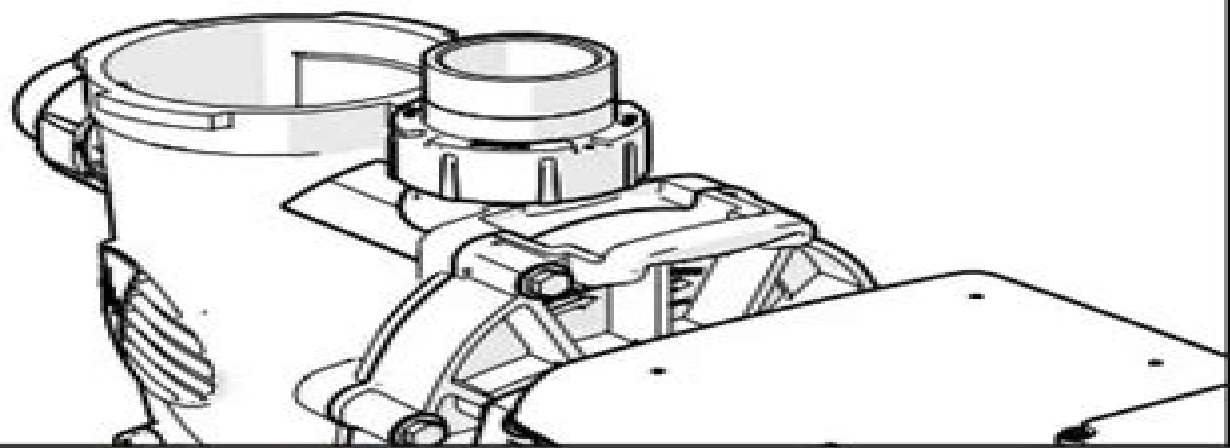
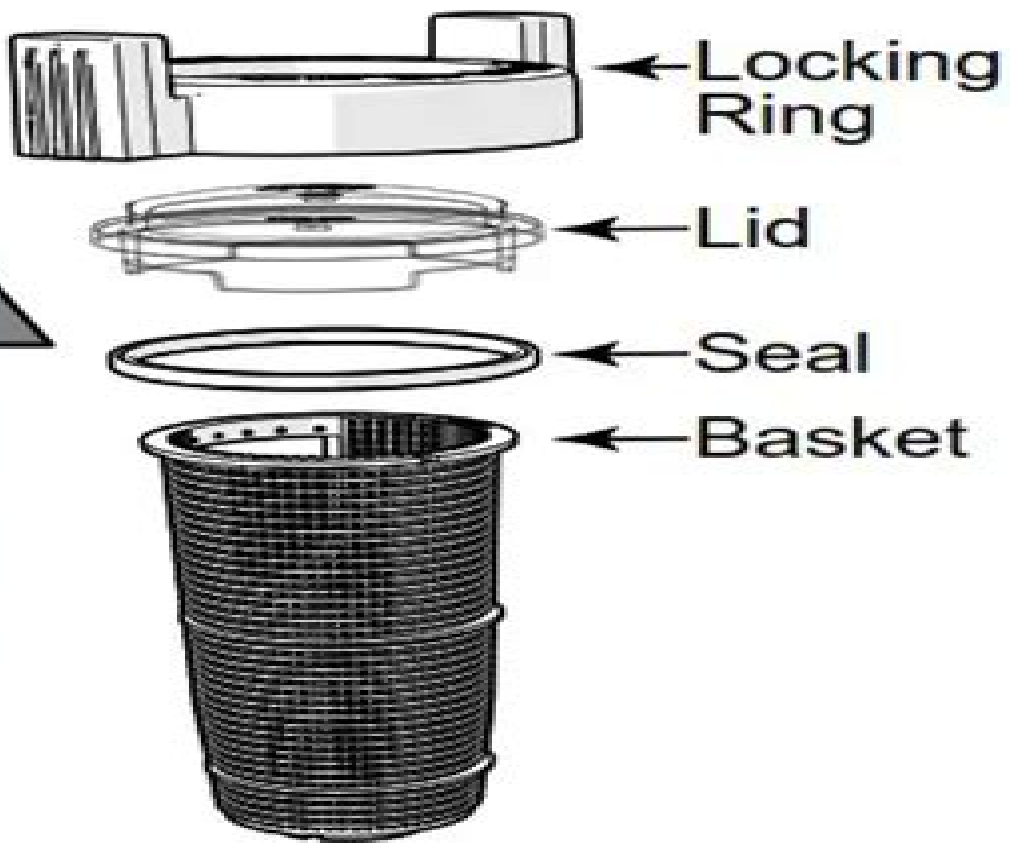
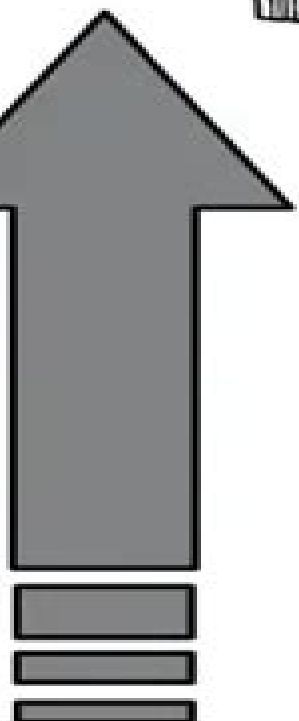


Figure 18. Remove Pump Lid

Jandy Service Code 172 And 181

Christian Drosten



Jandy Service Code 172 And 181:
Automotive Retailer ,1953

Adopting the Tune of Appearance: An Mental Symphony within **Jandy Service Code 172 And 181**

In a global taken by displays and the ceaseless chatter of instantaneous conversation, the melodic beauty and psychological symphony created by the published word usually disappear into the backdrop, eclipsed by the constant noise and disturbances that permeate our lives. However, situated within the pages of **Jandy Service Code 172 And 181** a wonderful literary treasure overflowing with natural emotions, lies an immersive symphony waiting to be embraced. Crafted by a masterful musician of language, this fascinating masterpiece conducts visitors on a mental journey, skillfully unraveling the hidden tunes and profound affect resonating within each carefully constructed phrase. Within the depths of this touching analysis, we can discover the book is main harmonies, analyze their enthralling writing model, and submit ourselves to the profound resonance that echoes in the depths of readers souls.

https://staging.conocer.cide.edu/book/uploaded-files/HomePages/Good_Racism_Bad_Racism.pdf

Table of Contents Jandy Service Code 172 And 181

1. Understanding the eBook Jandy Service Code 172 And 181
 - The Rise of Digital Reading Jandy Service Code 172 And 181
 - Advantages of eBooks Over Traditional Books
2. Identifying Jandy Service Code 172 And 181
 - Exploring Different Genres
 - Considering Fiction vs. Non-Fiction
 - Determining Your Reading Goals
3. Choosing the Right eBook Platform
 - Popular eBook Platforms
 - Features to Look for in an Jandy Service Code 172 And 181
 - User-Friendly Interface
4. Exploring eBook Recommendations from Jandy Service Code 172 And 181
 - Personalized Recommendations

- Jandy Service Code 172 And 181 User Reviews and Ratings
- Jandy Service Code 172 And 181 and Bestseller Lists
- 5. Accessing Jandy Service Code 172 And 181 Free and Paid eBooks
 - Jandy Service Code 172 And 181 Public Domain eBooks
 - Jandy Service Code 172 And 181 eBook Subscription Services
 - Jandy Service Code 172 And 181 Budget-Friendly Options
- 6. Navigating Jandy Service Code 172 And 181 eBook Formats
 - ePub, PDF, MOBI, and More
 - Jandy Service Code 172 And 181 Compatibility with Devices
 - Jandy Service Code 172 And 181 Enhanced eBook Features
- 7. Enhancing Your Reading Experience
 - Adjustable Fonts and Text Sizes of Jandy Service Code 172 And 181
 - Highlighting and Note-Taking Jandy Service Code 172 And 181
 - Interactive Elements Jandy Service Code 172 And 181
- 8. Staying Engaged with Jandy Service Code 172 And 181
 - Joining Online Reading Communities
 - Participating in Virtual Book Clubs
 - Following Authors and Publishers Jandy Service Code 172 And 181
- 9. Balancing eBooks and Physical Books Jandy Service Code 172 And 181
 - Benefits of a Digital Library
 - Creating a Diverse Reading Collection Jandy Service Code 172 And 181
- 10. Overcoming Reading Challenges
 - Dealing with Digital Eye Strain
 - Minimizing Distractions
 - Managing Screen Time
- 11. Cultivating a Reading Routine Jandy Service Code 172 And 181
 - Setting Reading Goals Jandy Service Code 172 And 181
 - Carving Out Dedicated Reading Time
- 12. Sourcing Reliable Information of Jandy Service Code 172 And 181
 - Fact-Checking eBook Content of Jandy Service Code 172 And 181

- Distinguishing Credible Sources
- 13. Promoting Lifelong Learning
 - Utilizing eBooks for Skill Development
 - Exploring Educational eBooks
- 14. Embracing eBook Trends
 - Integration of Multimedia Elements
 - Interactive and Gamified eBooks

Jandy Service Code 172 And 181 Introduction

Free PDF Books and Manuals for Download: Unlocking Knowledge at Your Fingertips In today's fast-paced digital age, obtaining valuable knowledge has become easier than ever. Thanks to the internet, a vast array of books and manuals are now available for free download in PDF format. Whether you are a student, professional, or simply an avid reader, this treasure trove of downloadable resources offers a wealth of information, conveniently accessible anytime, anywhere. The advent of online libraries and platforms dedicated to sharing knowledge has revolutionized the way we consume information. No longer confined to physical libraries or bookstores, readers can now access an extensive collection of digital books and manuals with just a few clicks. These resources, available in PDF, Microsoft Word, and PowerPoint formats, cater to a wide range of interests, including literature, technology, science, history, and much more. One notable platform where you can explore and download free Jandy Service Code 172 And 181 PDF books and manuals is the internet's largest free library. Hosted online, this catalog compiles a vast assortment of documents, making it a veritable goldmine of knowledge. With its easy-to-use website interface and customizable PDF generator, this platform offers a user-friendly experience, allowing individuals to effortlessly navigate and access the information they seek. The availability of free PDF books and manuals on this platform demonstrates its commitment to democratizing education and empowering individuals with the tools needed to succeed in their chosen fields. It allows anyone, regardless of their background or financial limitations, to expand their horizons and gain insights from experts in various disciplines. One of the most significant advantages of downloading PDF books and manuals lies in their portability. Unlike physical copies, digital books can be stored and carried on a single device, such as a tablet or smartphone, saving valuable space and weight. This convenience makes it possible for readers to have their entire library at their fingertips, whether they are commuting, traveling, or simply enjoying a lazy afternoon at home. Additionally, digital files are easily searchable, enabling readers to locate specific information within seconds. With a few keystrokes, users can search for keywords, topics, or phrases, making research and finding relevant information a breeze. This efficiency saves time and effort, streamlining the learning process and allowing individuals to focus on extracting the

information they need. Furthermore, the availability of free PDF books and manuals fosters a culture of continuous learning. By removing financial barriers, more people can access educational resources and pursue lifelong learning, contributing to personal growth and professional development. This democratization of knowledge promotes intellectual curiosity and empowers individuals to become lifelong learners, promoting progress and innovation in various fields. It is worth noting that while accessing free Jandy Service Code 172 And 181 PDF books and manuals is convenient and cost-effective, it is vital to respect copyright laws and intellectual property rights. Platforms offering free downloads often operate within legal boundaries, ensuring that the materials they provide are either in the public domain or authorized for distribution. By adhering to copyright laws, users can enjoy the benefits of free access to knowledge while supporting the authors and publishers who make these resources available. In conclusion, the availability of Jandy Service Code 172 And 181 free PDF books and manuals for download has revolutionized the way we access and consume knowledge. With just a few clicks, individuals can explore a vast collection of resources across different disciplines, all free of charge. This accessibility empowers individuals to become lifelong learners, contributing to personal growth, professional development, and the advancement of society as a whole. So why not unlock a world of knowledge today? Start exploring the vast sea of free PDF books and manuals waiting to be discovered right at your fingertips.

FAQs About Jandy Service Code 172 And 181 Books

What is a Jandy Service Code 172 And 181 PDF? A PDF (Portable Document Format) is a file format developed by Adobe that preserves the layout and formatting of a document, regardless of the software, hardware, or operating system used to view or print it. **How do I create a Jandy Service Code 172 And 181 PDF?** There are several ways to create a PDF: Use software like Adobe Acrobat, Microsoft Word, or Google Docs, which often have built-in PDF creation tools. **Print to PDF:** Many applications and operating systems have a "Print to PDF" option that allows you to save a document as a PDF file instead of printing it on paper. **Online converters:** There are various online tools that can convert different file types to PDF. **How do I edit a Jandy Service Code 172 And 181 PDF?** Editing a PDF can be done with software like Adobe Acrobat, which allows direct editing of text, images, and other elements within the PDF. Some free tools, like PDFescape or Smallpdf, also offer basic editing capabilities. **How do I convert a Jandy Service Code 172 And 181 PDF to another file format?** There are multiple ways to convert a PDF to another format: Use online converters like Smallpdf, Zamzar, or Adobe Acrobat's export feature to convert PDFs to formats like Word, Excel, JPEG, etc. Software like Adobe Acrobat, Microsoft Word, or other PDF editors may have options to export or save PDFs in different formats. **How do I password-protect a Jandy Service Code 172 And 181 PDF?** Most PDF editing software allows you to add password protection. In Adobe Acrobat, for instance,

you can go to "File" -> "Properties" -> "Security" to set a password to restrict access or editing capabilities. Are there any free alternatives to Adobe Acrobat for working with PDFs? Yes, there are many free alternatives for working with PDFs, such as: LibreOffice: Offers PDF editing features. PDFsam: Allows splitting, merging, and editing PDFs. Foxit Reader: Provides basic PDF viewing and editing capabilities. How do I compress a PDF file? You can use online tools like Smallpdf, ILovePDF, or desktop software like Adobe Acrobat to compress PDF files without significant quality loss. Compression reduces the file size, making it easier to share and download. Can I fill out forms in a PDF file? Yes, most PDF viewers/editors like Adobe Acrobat, Preview (on Mac), or various online tools allow you to fill out forms in PDF files by selecting text fields and entering information. Are there any restrictions when working with PDFs? Some PDFs might have restrictions set by their creator, such as password protection, editing restrictions, or print restrictions. Breaking these restrictions might require specific software or tools, which may or may not be legal depending on the circumstances and local laws.

Find Jandy Service Code 172 And 181 :

good racism - bad racism

good writing a freshman english manual

good housekeeping cookbook

gosudarstvo i investitsii aktualnye problemy makroekonomicheskoi politiki

goodbye is just the beginning

gorbachevs failure in lithuania

gopher sketch

gotthold ephraim lebing rororo bildmonographie

good shelter

gourmet bouquet decorative centerpieces

good old days at its best

goose hunting improving your skills

gospel and the end of time the message of first and second thessalonians

gorizonty kultury nakanune xxi veka sbornik nauchnykh rabot

good golly ms. molly a star

Jandy Service Code 172 And 181 :

openbravopos user guide es openbravowiki - Feb 03 2022

openbravo web pos openbravo blog - Jul 08 2022

web nov 10 2023 openbravo pos is a popular open source point of sale project it functions as a seamlessly integrated module of openbravo erp with a smooth flow of

[retail pos system openbravo](#) - Apr 17 2023

web nov 30 2009 this guide refers to the openbravo pos 2 30 version and next versions it aims to show to developers of openbravo pos how to create and maintain reports and

[openbravo pos administrator guide wikibooks open books for](#) - Oct 11 2022

web apr 5 2018 at openbravo we have invested a lot of time and development effort in creating a pos solution that provides a great user experience with an agile flow

openbravo pos reports and charts tutorial openbravowiki - Jan 14 2023

web as far as roles go make sure you give yourself the role of administrator now you can go two ways you can either make your employees user or manager if you give them

[projects pos user guide openbravo](#) - Sep 22 2023

web jun 8 2012 1startup 2sales workflow 2 1using a barcode scanner 2 2using a keyboard or the on screen keypad 2 3using the catalog 2 4selling general items which don t have

[retail web pos user guide openbravo pdf slideshare](#) - Aug 09 2022

web experience openbravo with this products tour showing some of he key capabilities of our mobile and cloud unified commerce platform

[quick service pos products openbravo](#) - Jun 07 2022

web oct 14 2023 complete and user friendly retail pos functionality a comprehensive flexible and user friendly cloud based retail pos software 1 sales quotations

product documentation openbravo - Jun 19 2023

web mar 13 2009 openbravo pos localization guidelines and efforts openbravopos installation openbravo pos installation guide openbravopos administrator guide

[user guide openbravowiki](#) - Jul 20 2023

web 1startup 2sales workflow 2 1using a barcode scanner 2 2using a keyboard or the on screen keypad 2 3using the catalog 2 4selling general items which don t have

openbravo products tour openbravo - May 06 2022

web retrieved from wiki openbravo com wiki openbravopos user guide es this page has been accessed 14 761 times this page was last modified on 19 may 2011 at 12

openbravo web pos user guide v 2 - Aug 21 2023

web this document is a summary of the web pos user guide of the openbravo commerce suite 3 0rr19q3 1 8 4503 version which is the one that will integrate french fiscal

mobile pos system for retail openbravo - Sep 10 2022

web openbravo provides a quick service pos system that helps enhance your restaurant experience thus resulting in increased footfall from new clients and more repeat

cloud based retail saas platform for unified commerce - Nov 12 2022

web sep 6 2014 reporting openbravo s standard reports can be used for retail cash reports by pos terminal and by dates average cart by store and by dates sales reports by pos

free openbravo pos user guide cyberlab sutd edu sg - Dec 01 2021

category openbravo pos openbravowiki - Mar 16 2023

web of 12 openbravo web pos user guide v 2 french fiscal certification openbravo web pos user guide v 2 0 openbravo commerce suite 3 0rr19q3 1 8 4503 french

openbravo user guide pdf point of sale scribd - Feb 15 2023

web cloud based retail saas platform for unified commerce discover the retail software that enables enhanced unified commerce experiences and greater agility to adapt and innovate

openbravo web pos user guide v2 0 pdf point of sale - Dec 13 2022

web order management system oms optimize ecommerce fulfillment with oms rules for choosing the best stores for order preparation ensure all orders are managed in a timely

openbravo pos user guide wiki lwn net - Jan 02 2022

openbravo pos user guide wikibooks open books for an open - May 18 2023

web openbravo user guide uploaded by o2ji openbravo pos is a point of sale application designed for touch screens supports esc pos receipt printers customer displays and

retail web pos user guide openbravo - Oct 23 2023

web mar 9 2023 the openbravo web pos is one of the key components of the openbravo omnichannel platform it is used in

stores to assist shop floor staff in client side selling

openbravo pos cloud based pos and retail management - Apr 05 2022

web openbravo pos user guide openbravo pos user guide 2 downloaded from wiki lwn net on 2020 01 28 by guest architects must ensure that they not only cover the basic

openbravopos download sourceforge net - Mar 04 2022

web openbravo pos user guide user guidance in business process modelling feb 14 2022 business process modelling is referred to as a complex time consuming and error

pdf epub the marriage bargain download oceanofpdf - Sep 04 2022

web jul 3 2023 pdf epub the marriage bargain download by a r williams download the marriage bargain by a r williams in pdf epub format complete free brief summary of book the marriage bargain by a r williams here is a quick description and cover image of book the marriage bargain written by a r williams which was published in

the marriage bargain jennifer probst - Apr 11 2023

web the marriage bargain amazon apple barnes noble google kobo audible goodreads the sizzling first book in the new york times and usa today bestselling marriage to a billionaire series by one of the most exciting breakout novelists usa today jennifer probst a marriage in name only

the marriage bargain love inspired historical goodreads - Jul 02 2022

web dec 1 2014 angel moore 3 99 110 ratings13 reviews marriage by necessity lily warren s new hat shop is her ticket to self reliance until a fire threatens to destroy her dreams and when edward stone her landlord and the town blacksmith bursts into her private rooms to rescue her lily s reputation is tarnished so edward proposes a solution

the marriage bargain jennifer probst google books - Jul 14 2023

web sep 21 2012 the marriage bargain jennifer probst simon and schuster sep 21 2012 fiction 400 pages the sizzling first installment in the new york timesand usa today bestselling marriage to a

marriage to a billionaire series by jennifer probst goodreads - Jun 13 2023

web book 1 the marriage bargain by jennifer probst 3 79 110 357 ratings 4 591 reviews published 2010 72 editions a marriage in name only to save her family home i want to read rate it book 2 the marriage trap by jennifer probst 3 88 29 838 ratings 1 445 reviews published 2012 68 editions

the marriage bargain 1 marriage to a billionaire - Oct 05 2022

web sep 4 2012 billionaire nicholas ryan doesn t believe in marriage but in order to inherit his father s corporation he needs a wife and needs one fast when he discovers his sister s childhood friend is in dire financial straits he offers alexa a bold proposition a marriage in name only with certain rules avoid entanglement

the marriage bargain galatea sürükleyici kurgu hikâyeler - Jan 08 2023

web being forced to marry for an alliance isn t the worst thing for celia montgomery who wants nothing more than to escape her hateful family unfortunately brian armstrong celia s husband to be has no interest in marriage or children that is until

pdf epub the marriage bargain marriage to a billionaire 1 - Mar 30 2022

web jan 2 2023 billionaire nicholas ryan doesn t believe in marriage but in order to inherit his father s corporation he needs a wife and needs one fast when he discovers his sister s childhood friend is in dire financial straits he s offers alexa a bold proposition a marriage in name only with certain rules avoid entanglement keep things all business

the marriage bargain probst jennifer free download borrow - May 12 2023

web language english 313 pages 18 cm in order to serve their own selfish needs struggling bookstore owner alexa and billionaire nicholas decide to be in a loveless marriage for only a year but things get complicated when love grows between them

pdf epub the marriage bargain a variation of jane - Apr 30 2022

web sep 8 2023 here is a quick description and cover image of book the marriage bargain a variation of jane austen s pride and prejudice happiness in marriage series written by lucy marin which was published in april 2 2022 you can read this before the marriage bargain a variation of jane austen s pride and prejudice happiness in marriage

the marriage bargain jennifer probst google books - Feb 09 2023

web aug 17 2012 the marriage bargain jennifer probst simon and schuster aug 17 2012 fiction 336 pages 27 reviews reviews aren t verified but google checks for and removes fake content when it s identified the sizzling first book in the new york times and usa today bestselling marriage to a billionaire series by one of the most exciting

the marriage bargain marriage to a billionaire 1 - Aug 03 2022

web jul 1 2021 free audio the marriage bargain marriage to a billionaire 1 in the audio player below i got this on the recommendation of someone on instagram that loves these types of books i wasn t so sure but have been in a reading slump and watching predictable romance films instead so i gave this a go

the marriage bargain marriage to a billionaire book 1 kindle - Aug 15 2023

web aug 17 2012 the sizzling first book in the new york times bestselling marriage to a billionaire series by one of the most exciting breakout novelists jennifer probst a marriage in name only to save her family home impulsive bookstore owner alexa maria mckenzie casts a love spell

the marriage bargain volume 1 marriage to a billionaire - Jun 01 2022

web the marriage bargain volume 1 marriage to a billionaire amazon com tr kitap

the marriage bargain probst jennifer free download borrow - Mar 10 2023

web the marriage bargain fort collins co entangled pub to save her family home impulsive bookstore owner alexa maria mckenzie casts a love spell but she never planned on conjuring up her best friend s older brother the powerful man who once shattered her heart billionaire nicholas ryan doesn t believe in marriage but in order to

the marriage bargain marriage to a billionaire audio probst - Dec 27 2021

web the marriage bargain marriage to a billionaire audio probst jennifer marlo coleen amazon com tr kitap

the marriage bargain a variation of jane austen s prid - Jan 28 2022

web apr 2 2022 the marriage bargain is a forced or contracted marriage variation of jane austen s pride prejudice and will be enjoyed by fans of georgette heyer s a civil contract and other regency romances show more genres romance historical historical romance regency fiction 374 pages kindle edition first published april 2 2022 book details

the marriage bargain billionaire games 1 goodreads - Feb 26 2022

web aug 5 2010 new york times usa today bestselling author sandra edwards writes award winning romance in a variety of subgenres such as paranormal mostly time travel and reincarnation contemporary and suspense she lives in the u s west coast with her husband two kids four dogs and one very temperamental feline

the future of the family pew research center - Nov 06 2022

web sep 14 2023 1 the future of the family in thinking about the future of the united states americans are more pessimistic than optimistic about the institution of marriage and the family overall 40 say they are very or somewhat pessimistic while 25 are very or somewhat optimistic about three in ten 29 say they re neither optimistic nor pessimistic

[the marriage bargain series by abby green goodreads](#) - Dec 07 2022

web the spaniard s marriage bargain by abby green 3 87 1 968 ratings 145 reviews published 2008 28 editions rowan had been isandro salazar s bride of convenie want to read

80 proyectos de robótica con lego mindstorms ev3 app para tablets - Aug 17 2023

web may 25 2019 en este libro se incluyen más de 80 proyectos de robótica para llevar a cabo con los kits de lego mindstorms ev3 ya sea en su versión home o education y la app gratuita con el entorno gráfico de programación de lego para tabletas

lego mindstorms ev3 projects teach kids engineering - Jan 10 2023

web nov 6 2015 1 ev3 puppy let s face it everyone loves a good puppy video this mindstorms puppy looks really cool and the software and sensors make it very interactive the building instructions and software are both available and easy to download unfortunately for us the project uses the lego mindstorm ev3 education set which is a

90 proyectos de robótica con lego ev3 y python amazon es - Sep 06 2022

web si son tus primeros pasos con lego ev3 te recomendamos empezar con el libro 80 proyectos de robótica con lego

mindstorms ev3 app para tabletas del mismo autor incluye 90 proyectos steam en los que se ha puesto el foco en la robótica por lo que las estructuras físicas aunque plenamente funcionales son sencillas

crear un explorador robótico autónomo lego education - Dec 29 2021

web si lo considera necesario prepare una lección con el material de primeros pasos que hay en la aplicación de programación ev3 o el software de laboratorio ev3 así los alumnos pueden ir familiarizándose con lego mindstorms education ev3 despertar el interés 30 min

robótica virtual con lego mindstorms ev3 thinkific - Jul 04 2022

web lego mindstorms ev3 es un kit de robótica que permite a través de sensores motores engranajes y ruedas construir prototipos steam en cuestión de segundos en este curso conocerás el funcionamiento de los sensores táctiles de color ultrasónico y giroscopio además de los motores incluidos en el kit

actividad de robótica con lego mindstorms education ev3 blog de - Nov 08 2022

web los alumnos deben diseñar construir y programar un sistema que pueda recoger un cubo situado en una ubicación y colocarlo en otra ubicación diferente con esta actividad se trabaja ingeniería stem robótica tecnología curso educación secundaria duración de la actividad 90 120min dificultad intermedia

software ev3 home edition esmindstorms - Jan 30 2022

web may 22 2015 en la página de inicio del software ev3 podrás ver increíbles robots track3r spik3r ev3rstorm r3ptar y gripp3r estos robots fueron creados por diseñadores de lego para mostrar algunas de las formas en las que se puede construir y programar con lego mindstorms ev3

10 asombrosos proyectos de lego mindstorms que vale la pena - May 14 2023

web sep 9 2020 revisa estas asombrosas construcciones para descubrir qué puedes hacer con los kits lego mindstorms ev3 y ev2 los proyectos de lego que se muestran aquí se basan en los kits de mindstorms lanzado por primera vez en 1998 como el sistema de invención robótica hay tres generaciones de mindstorms todavía en uso regular nxt

3 proyectos de robótica con lego mindstorms ev3 youtube - Apr 13 2023

web sep 14 2021 valpat te muestra en este vídeo cómo es la nueva versión de software para programar tus robots hechos con lego mindstorms ev3 la versión anterior de bloques

proyectos robóticos archivos esmindstorms - Dec 09 2022

web mindstorms sets lego mindstorms robots oficiales ev3 bonus models robots oficiales nxt bonus models sensores complementos sensores complementos herramientas software app s móvil links publicaciones libros relacionados documentos y guías proyectos robóticos proyectos robóticos Área técnica

mind storms com building plans google sites - May 02 2022

web this page shows dozens of interesting ev3 designs i assume building instructions are available for many of them i like this very simple rover called botticelli made by yaya lu who i assume is a student of dr graeme botticelli really needs a third wheel which you can add by converting botticelli into lucybot the book instant lego mindstorms ev3 has

lego mindstorms education ev3 modelos de robots youtube - Mar 12 2023

web sep 5 2017 descubre algunos de los modelos de robot que se pueden construir con el set de robótica lego mindstorms education ev3 robotix hands on learning

crear un robot de recoger y colocar lego education - Jun 03 2022

web diseñar construir y programar un sistema robótico capaz de recoger un objeto en un punto y dejarlo en otro lea este material para el profesor si lo considera necesario prepare una lección con el material de primeros pasos que hay en la aplicación de programación ev3 o el software de laboratorio ev3

robots lego mindstorms ev3 proyecto robÓtica - Apr 01 2022

web video que describe el funcionamiento de cada uno de los robots del kit lego mindstorms ev3 utilizados como herramientas pedagÓgicas en el proceso de formaci

80 proyectos de robótica con lego mindstorms ev3 app - Feb 11 2023

web 80 proyectos de robótica con lego mindstorms ev3 app para tabletas en 2014 ernesto martínez de carvajal hedrich publicó 150 proyectos con lego mindstorms el libro más exitoso que hemos distribuido hasta la fecha y que es considerada por muchos una obra de referencia sobre el robot insignia de lego education

88 proyectos de robótica con lego mindstorms ev3 classroom - Aug 05 2022

web 88 proyectos de robótica con lego mindstorms ev3 classroom tapa blanda tankobon 1 enero 2021 88 proyectos de robótica con lego mindstorms ev3 classroom tapa blanda tankobon 1 enero 2021 de ernesto martínez de carvajal hedrich autor redactor 4 valoraciones ver todos los formatos y ediciones

80 proyectos de robótica con lego mindstorms ev3 app - Jun 15 2023

web en este libro se incluyen 83 proyectos de robótica para llevar a cabo con los kits de lego mindstorms ev3 ya sea en su versión home o education y la app gratuita con el entorno gráfico de programación de lego para tabletas

portada esmindstorms - Feb 28 2022

web 80 proyectos de robótica con lego mindstorms ev3 app para tablets por luis españa dejar un comentario app s móvil ev3 herramientas nxt fll wheel converter por luis españa dejar un comentario ev3 herramientas nxt software lego digital designer por luis españa dejar un comentario Últimos aÑadidos

150 proyectos con lego mindstorms esmindstorms - Jul 16 2023

web dec 18 2014 150 proyectos con lego mindstorms por luis españa dejar un comentario normalmente se asocia la palabra

robótica a robots de aspecto antropomorfo capaces de emular a los humanos y de hecho son muchas las propuestas que podemos encontrar en torno a este concepto

amazon es opiniones de clientes 80 proyectos de robótica con lego - Oct 07 2022

web vea reseñas y calificaciones de reseñas que otros clientes han escrito de 80 proyectos de robótica con lego mindstorms ev3 app para tabletas en amazon com lea reseñas de productos sinceras e imparciales de nuestros usuarios