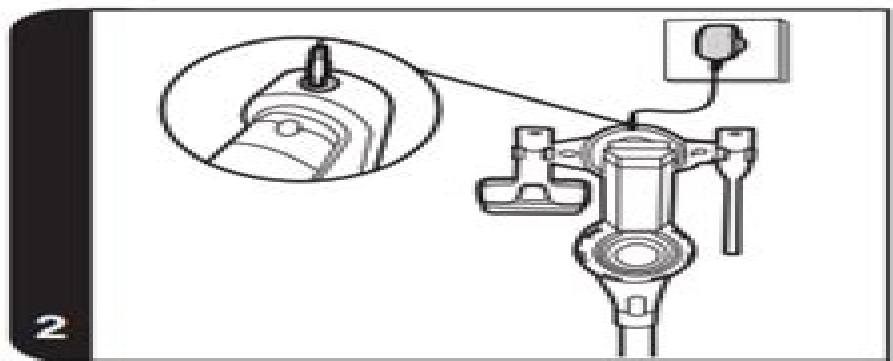
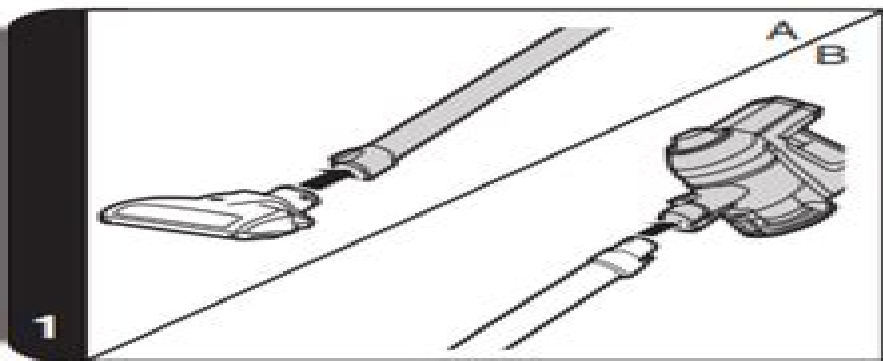


\* Certain models only



# Hoover Vacuum Cleaner Repair Manual

**M Walker**



## **Hoover Vacuum Cleaner Repair Manual:**

## Reviewing **Hoover Vacuum Cleaner Repair Manual**: Unlocking the Spellbinding Force of Linguistics

In a fast-paced world fueled by information and interconnectivity, the spellbinding force of linguistics has acquired newfound prominence. Its capacity to evoke emotions, stimulate contemplation, and stimulate metamorphosis is truly astonishing. Within the pages of "**Hoover Vacuum Cleaner Repair Manual**," an enthralling opus penned by a very acclaimed wordsmith, readers set about an immersive expedition to unravel the intricate significance of language and its indelible imprint on our lives. Throughout this assessment, we shall delve to the book is central motifs, appraise its distinctive narrative style, and gauge its overarching influence on the minds of its readers.

[https://staging.conocer.cide.edu/book/Resources/Download\\_PDFS/Mantra%20Pressure%20Cooker%20Manual.pdf](https://staging.conocer.cide.edu/book/Resources/Download_PDFS/Mantra%20Pressure%20Cooker%20Manual.pdf)

### **Table of Contents Hoover Vacuum Cleaner Repair Manual**

1. Understanding the eBook Hoover Vacuum Cleaner Repair Manual
  - The Rise of Digital Reading Hoover Vacuum Cleaner Repair Manual
  - Advantages of eBooks Over Traditional Books
2. Identifying Hoover Vacuum Cleaner Repair Manual
  - Exploring Different Genres
  - Considering Fiction vs. Non-Fiction
  - Determining Your Reading Goals
3. Choosing the Right eBook Platform
  - Popular eBook Platforms
  - Features to Look for in an Hoover Vacuum Cleaner Repair Manual
  - User-Friendly Interface
4. Exploring eBook Recommendations from Hoover Vacuum Cleaner Repair Manual
  - Personalized Recommendations
  - Hoover Vacuum Cleaner Repair Manual User Reviews and Ratings
  - Hoover Vacuum Cleaner Repair Manual and Bestseller Lists

5. Accessing Hoover Vacuum Cleaner Repair Manual Free and Paid eBooks
  - Hoover Vacuum Cleaner Repair Manual Public Domain eBooks
  - Hoover Vacuum Cleaner Repair Manual eBook Subscription Services
  - Hoover Vacuum Cleaner Repair Manual Budget-Friendly Options
6. Navigating Hoover Vacuum Cleaner Repair Manual eBook Formats
  - ePub, PDF, MOBI, and More
  - Hoover Vacuum Cleaner Repair Manual Compatibility with Devices
  - Hoover Vacuum Cleaner Repair Manual Enhanced eBook Features
7. Enhancing Your Reading Experience
  - Adjustable Fonts and Text Sizes of Hoover Vacuum Cleaner Repair Manual
  - Highlighting and Note-Taking Hoover Vacuum Cleaner Repair Manual
  - Interactive Elements Hoover Vacuum Cleaner Repair Manual
8. Staying Engaged with Hoover Vacuum Cleaner Repair Manual
  - Joining Online Reading Communities
  - Participating in Virtual Book Clubs
  - Following Authors and Publishers Hoover Vacuum Cleaner Repair Manual
9. Balancing eBooks and Physical Books Hoover Vacuum Cleaner Repair Manual
  - Benefits of a Digital Library
  - Creating a Diverse Reading Collection Hoover Vacuum Cleaner Repair Manual
10. Overcoming Reading Challenges
  - Dealing with Digital Eye Strain
  - Minimizing Distractions
  - Managing Screen Time
11. Cultivating a Reading Routine Hoover Vacuum Cleaner Repair Manual
  - Setting Reading Goals Hoover Vacuum Cleaner Repair Manual
  - Carving Out Dedicated Reading Time
12. Sourcing Reliable Information of Hoover Vacuum Cleaner Repair Manual
  - Fact-Checking eBook Content of Hoover Vacuum Cleaner Repair Manual
  - Distinguishing Credible Sources
13. Promoting Lifelong Learning

- Utilizing eBooks for Skill Development
  - Exploring Educational eBooks
14. Embracing eBook Trends
- Integration of Multimedia Elements
  - Interactive and Gamified eBooks

### **Hoover Vacuum Cleaner Repair Manual Introduction**

Free PDF Books and Manuals for Download: Unlocking Knowledge at Your Fingertips In today's fast-paced digital age, obtaining valuable knowledge has become easier than ever. Thanks to the internet, a vast array of books and manuals are now available for free download in PDF format. Whether you are a student, professional, or simply an avid reader, this treasure trove of downloadable resources offers a wealth of information, conveniently accessible anytime, anywhere. The advent of online libraries and platforms dedicated to sharing knowledge has revolutionized the way we consume information. No longer confined to physical libraries or bookstores, readers can now access an extensive collection of digital books and manuals with just a few clicks. These resources, available in PDF, Microsoft Word, and PowerPoint formats, cater to a wide range of interests, including literature, technology, science, history, and much more. One notable platform where you can explore and download free Hoover Vacuum Cleaner Repair Manual PDF books and manuals is the internet's largest free library. Hosted online, this catalog compiles a vast assortment of documents, making it a veritable goldmine of knowledge. With its easy-to-use website interface and customizable PDF generator, this platform offers a user-friendly experience, allowing individuals to effortlessly navigate and access the information they seek. The availability of free PDF books and manuals on this platform demonstrates its commitment to democratizing education and empowering individuals with the tools needed to succeed in their chosen fields. It allows anyone, regardless of their background or financial limitations, to expand their horizons and gain insights from experts in various disciplines. One of the most significant advantages of downloading PDF books and manuals lies in their portability. Unlike physical copies, digital books can be stored and carried on a single device, such as a tablet or smartphone, saving valuable space and weight. This convenience makes it possible for readers to have their entire library at their fingertips, whether they are commuting, traveling, or simply enjoying a lazy afternoon at home. Additionally, digital files are easily searchable, enabling readers to locate specific information within seconds. With a few keystrokes, users can search for keywords, topics, or phrases, making research and finding relevant information a breeze. This efficiency saves time and effort, streamlining the learning process and allowing individuals to focus on extracting the information they need. Furthermore, the availability of free PDF books and manuals fosters a culture of continuous learning. By removing financial barriers, more people can access educational resources and pursue lifelong

learning, contributing to personal growth and professional development. This democratization of knowledge promotes intellectual curiosity and empowers individuals to become lifelong learners, promoting progress and innovation in various fields. It is worth noting that while accessing free Hoover Vacuum Cleaner Repair Manual PDF books and manuals is convenient and cost-effective, it is vital to respect copyright laws and intellectual property rights. Platforms offering free downloads often operate within legal boundaries, ensuring that the materials they provide are either in the public domain or authorized for distribution. By adhering to copyright laws, users can enjoy the benefits of free access to knowledge while supporting the authors and publishers who make these resources available. In conclusion, the availability of Hoover Vacuum Cleaner Repair Manual free PDF books and manuals for download has revolutionized the way we access and consume knowledge. With just a few clicks, individuals can explore a vast collection of resources across different disciplines, all free of charge. This accessibility empowers individuals to become lifelong learners, contributing to personal growth, professional development, and the advancement of society as a whole. So why not unlock a world of knowledge today? Start exploring the vast sea of free PDF books and manuals waiting to be discovered right at your fingertips.

### **FAQs About Hoover Vacuum Cleaner Repair Manual Books**

**What is a Hoover Vacuum Cleaner Repair Manual PDF?** A PDF (Portable Document Format) is a file format developed by Adobe that preserves the layout and formatting of a document, regardless of the software, hardware, or operating system used to view or print it. **How do I create a Hoover Vacuum Cleaner Repair Manual PDF?** There are several ways to create a PDF: Use software like Adobe Acrobat, Microsoft Word, or Google Docs, which often have built-in PDF creation tools. Print to PDF: Many applications and operating systems have a "Print to PDF" option that allows you to save a document as a PDF file instead of printing it on paper. Online converters: There are various online tools that can convert different file types to PDF. **How do I edit a Hoover Vacuum Cleaner Repair Manual PDF?** Editing a PDF can be done with software like Adobe Acrobat, which allows direct editing of text, images, and other elements within the PDF. Some free tools, like PDFescape or Smallpdf, also offer basic editing capabilities. **How do I convert a Hoover Vacuum Cleaner Repair Manual PDF to another file format?** There are multiple ways to convert a PDF to another format: Use online converters like Smallpdf, Zamzar, or Adobe Acrobats export feature to convert PDFs to formats like Word, Excel, JPEG, etc. Software like Adobe Acrobat, Microsoft Word, or other PDF editors may have options to export or save PDFs in different formats. **How do I password-protect a Hoover Vacuum Cleaner Repair Manual PDF?** Most PDF editing software allows you to add password protection. In Adobe Acrobat, for instance, you can go to "File" -> "Properties" -> "Security" to set a password to restrict access or editing capabilities. Are there any free alternatives to Adobe Acrobat for working with PDFs? Yes, there are

many free alternatives for working with PDFs, such as: LibreOffice: Offers PDF editing features. PDFsam: Allows splitting, merging, and editing PDFs. Foxit Reader: Provides basic PDF viewing and editing capabilities. How do I compress a PDF file? You can use online tools like Smallpdf, ILovePDF, or desktop software like Adobe Acrobat to compress PDF files without significant quality loss. Compression reduces the file size, making it easier to share and download. Can I fill out forms in a PDF file? Yes, most PDF viewers/editors like Adobe Acrobat, Preview (on Mac), or various online tools allow you to fill out forms in PDF files by selecting text fields and entering information. Are there any restrictions when working with PDFs? Some PDFs might have restrictions set by their creator, such as password protection, editing restrictions, or print restrictions. Breaking these restrictions might require specific software or tools, which may or may not be legal depending on the circumstances and local laws.

### **Find Hoover Vacuum Cleaner Repair Manual :**

[mantra pressure cooker manual](#)

*manual 1974 kawasaki*

*manchego pisto recipe*

**manitou mt 932 manual**

**manual acer windows 8**

**managerial accounting mcgraw hill solution manual 14e**

**managerial economics maurice solutions manual**

*manual alcatel m pop en espanol*

**managing your mind the mental fitness guide**

[managing business process flows 3rd edition](#)

[mantel clock repair manual](#)

**maneb std 8 mathematics past papers 2014**

[managerial accounting by garrison 14th edition solution manual](#)

~~managerial accounting 9th canadian edition garrison solutions~~

~~manga guide to molecular biology~~

### **Hoover Vacuum Cleaner Repair Manual :**

**carole a feuerman touching eternity beneath the surface - Jul 06 2022**



biography carole a feuerman born 1945 is an american sculptor and author working in hyperrealism she is one of the three artists credited with starting the movement in the late

**swimmers by carole a feuerman john yau john t spike** - Nov 10 2022

biography carole a feuerman born 1945 is an american sculptor and author working in hyperrealism she is one of the three artists credited with starting the movement in the late

swimmers blog the art world needs to start now carole - Dec 31 2021

may 24 2019 gotham to go carole a feuerman sea idylls make a splash on the park ave divide in murray hill afinelyne

gothamtogo com carole a feuerman sea idylls

carole a feuerman youtube - Feb 01 2022

feuerman and her swimmers are the ultimate globetrotters hong kong south korea germany italy florida new york louisiana california

**carole a feuerman author official publication website** - Aug 07 2022

aug 29 2023 carole a feuerman touching eternity beneath the surface august 29 2023 lucky new yorkers in the know and even luckier visitors are directing their friends to sea

**new swimmer triptych carole a feuerman** - Dec 11 2022

realist sculptor carole a feuerman s human figure sculptures express a refreshing perspective on the mundane but intensely personal activities of modern life her powers of observation and

**carole a feuerman qcc art gallery** - Oct 09 2022

carole a feuerman born 1945 is an american sculptor and author working in hyperrealism she is one of the three artists credited with starting the movement in the late 1970s she is

swimmers carole a feuerman by john yau goodreads - Apr 03 2022

carole a feuerman born 1945 is an american sculptor and artist working in hyperrealism feuerman utilizes a variety of media including resin marble and bronze she has been

**carole feuerman wikipedia** - Mar 02 2022

i m a hyperrealist artist known for my sculptures of swimmers they tell stories of survival perseverance and strength you can learn how i became successful through my tenacious

**carole feuerman swimmers canadian art junkie** - Jun 17 2023

jun 4 2019 this is one of the hyper realist sculptures of carole feuerman best known for her life size and monumental sculptures of swimmers quan a mini version above has mink

**press carole a feuerman** - Nov 29 2021

venice italy may 09 2022 globe newswire carole a feuerman returns to venice for the occasion of my stories her solo show in the church of the pietà in parallel with the

*swimmers carole a feuerman acc art books uk* - May 16 2023

title swimmers carole a feuerman pages 148 pages publish date 8th jul 2014 author john t spike john yau isbn 9780988855748 from the sculptor renowned for her

**swimmers carole a feuerman john t spike yau john** - Jul 18 2023

jul 1 2016 swimmers by carole a feuerman is a shimmering glimpse at transitory contemplative moments in time often captured in a veil of clear resin that replicates tumbling

**swimmers carole a feuerman bookshop** - Feb 13 2023

swimmers by carole a feuerman is a shimmering glimpse at transitory contemplative moments in time often captured in a veil of clear resin that replicates tumbling water droplets

*carole feuerman bel air fine art* - Sep 08 2022

swimmers carole feuerman swimmers carole feuerman 85 00 published by the artist book foundation foreword by john t spike essay by john yau hardcover 10 x 12

**swimmers by carole a feuerman hardcover amazon co uk** - Sep 20 2023

swimmers by carole a feuerman is a shimmering glimpse at transitory contemplative moments in time often captured in a veil of clear resin that replicates tumbling water droplets

*carole a feuerman biography and available* - Mar 14 2023

swimmers by carole a feuerman is a shimmering glimpse at transitory contemplative moments in time often captured in a veil of clear resin that replicates tumbling water droplets

**bio carole a feuerman** - Jun 05 2022

buy swimmers carole a feuerman by john yau contributions by john t spike foreword by online at alibris we have new and used copies available in 1 editions starting at 50 65

*swimmers carole a feuerman hardcover hooked* - Jan 12 2023

apr 29 2014 by kelsey zalimeni carole feuerman s latest 2d works feature more bright and beautiful prints of her patented swimmers this trio is the latest addition to her expansive print

**swimmers carole feuerman signed carole a** - Aug 19 2023

carole a feuerman is recognized as one of the world s most renowned influential and popular hyperrealist sculptors her prolific career spans five decades in which she has pioneered new

carole a feuerman master of hyperrealism premieres new - Oct 29 2021

**swimmers carole a feuerman alibris** - May 04 2022

read reviews from the world s largest community for readers realist sculptor carole a feuerman s human figure sculptures express a refreshing perspective

**carole a feuerman artnet** - Apr 15 2023

carole a feuerman is an american hyper realist sculptor along with artists like duane hanson and john deandrea she focuses on figurative sculptures executed with a startlingly high

**speaking learnenglish** - May 14 2023

web select your level from a1 english level elementary to b2 english level upper intermediate and improve your speaking skills at your own speed whenever it s convenient for you choose a speaking lesson a1 speaking speaking practice to help you learn useful language for everyday communication

**how to improve spoken english without a speaking partner** - Feb 11 2023

web oct 11 2023 the answer is absolutely here are 27 time tested tips for improving your spoken english all by yourself contents 1 think in english 2 learn from english media on fluentu 3 pay attention to stressed sounds 4 talk to yourself 5 master english registers 6 use a mirror 7 focus on english fluency not grammar 8 try english

*how to improve your english speaking skills* - Jun 03 2022

web jul 14 2023 3 attending english speaking events and workshops there are lots of events and workshops that provide opportunities to practice listening and speaking skills both virtual and in person attending these events can help sharpen your english skills and build your confidence in communicating in the language

*14 tips on how to improve speaking skills speak like a pro* - Dec 09 2022

web many tools are available to improve your speech whether you re a native speaker or an english learner here are the top 14 science backed ways to speak better 1 stay in your zone of genius only talk about what you know

**best ways to improve your english speaking skills** - Nov 08 2022

web aug 20 2021 1 find friends who want to speak in english if you are surrounded by english speaking people day after day will it improve your spoken english the answer is yes that s what an environment of english does the more your exposure to the language the more you will be able to absorb

**how to improve your english speaking skills with pictures wikihow** - Apr 13 2023

web aug 17 2023 improving your english with others 1 mimic the rhythm every language has a musicality about it you can have absolutely perfect grammar and if you don t 2 observe their mouth movements too just as every language has a musicality it has a tendency to use certain mouth 3 keep a notebook

*skills learnenglish* - Aug 17 2023

web improve your english speaking listening reading and writing skills with our selection of online courses experience self study sessions live group classes and one to one courses with personal tutors in a safe and inclusive learning environment  
*how to speak english fluently 27 simple tips for reaching your* - Mar 12 2023

web sep 18 2023 want to speak english fluently these 27 strategies to improve your english speaking skills will get you sounding like a native english speaker check out some awesome tips and tricks about pronunciation vocabulary building conversation openers and more we ve also included several resources like apps and courses  
*improve your english communication skills specialization coursera* - May 02 2022

web improve your english communication skills write and speak more professionally in english to increase your business success taught in english 8 languages available some content may not be translated instructors gerry landers 2 more enroll for free starts nov 14 financial aid available 611 502 already enrolled about outcomes courses testimonials  
*how to improve english speaking skills quickly at home 6* - Sep 06 2022

web oct 30 2023 if you want to know how to improve your english speaking skills you ve come to the right place it can be challenging to know the best way to use your time and find opportunities to practice so to make it easier we have put together six simple tips that you can follow and some top apps for learning english

**11 ways to improve your english speaking skills ielts charlie** - Feb 28 2022

web how can i improve my english speaking skills how can i speak english more fluently how can i speak english like a native this is especially important if you are preparing for the ielts speaking test one of the most common pieces of advice i see online is the advice to speak speak speak if only it were that easy  
how to improve your english speaking learnenglish - Oct 19 2023

web how to improve your english speaking speak english to practise and improve speaking a language is a skill like driving a car playing a musical instrument record yourself speaking listening to a recording of your own voice can feel strange especially talking in english work on your listening  
*speak improve* - Jul 16 2023

web were some questions difficult for you try them again to improve your score sandi our speech robot uses new technology developed at the university of cambridge it can tell how well you speak english just by listening to you speak improve is a free service for learners to practise their english speaking

**seven simple ways to improve your speaking skills** - Jan 10 2023

web 1 listen the first step in improving your speaking skills is actually working on your listening listening to english has several benefits it allows you to pick up new words phrases and ways to respond in conversations

9 ways to improve your english speaking skills - Aug 05 2022

web apr 27 2022 set clear milestones speak english fluently is a common goal of many english language learners however this can be frustrating when you feel you are not accomplishing your goal as fast as you would like in order to keep a positive mindset it helps to set smaller realistic milestones

**14 english speaking practice exercises simple but effective** - Oct 07 2022

web oct 24 2023 use a mirror and focus on fluency set aside a few minutes each day to stand in front of the mirror and practice speaking choose a topic you like to speak about set a timer for 3 minutes and discuss it with your imaginary study buddy

12 tips to improve your english speaking skills fluently - Sep 18 2023

web nov 6 2023 12 tips to improve your english speaking skills contents download this blog post is available as a convenient and portable pdf that you can take anywhere click here build a strong foundation in order to express yourself eloquently in english you need a wide variety of vocabulary and

*10 ways to improve your english language skills* - Jul 04 2022

web 1 to music old or modern the type you prefer but pay attention to the lyrics sometimes reading the lyrics may help you understand the song 2 to movies tv shows news entertainments the radio try the classics if you can watch dvd s you

*how to improve english speaking skills and become a great* - Jun 15 2023

web how to improve english speaking skills mastering any skill including communication skills comes down to practice by practicing speaking you can learn from mistakes and build both your vocabulary and understanding here are some tried and proven methods to enhance your english speaking skills

*how to improve english speaking skills* - Apr 01 2022

web apr 27 2017 another way to improve your english speaking skills is to immerse yourself in english as much as possible watch movies or tv in english with subtitles if you need them and watch the same programs over and over most people find that they understand more each time listening helps you become familiar with the rhythms and intonations of

**5 strategie per far passare l ansia velocemente prova subito** - May 29 2023

web come superare l ansia sociale vuoi incontrare persone fare nuove amicizie e sentirti parte del mondo ma interagire a livello sociale è complicato per tutti questo articolo ti fornirà alcune idee semplici ed efficaci che ti aiuteranno a

*come affrontare l ansia e la depressione con immagini wikipedi* - May 17 2022

*come combattere l ansia sette metodi per sconfiggerla* - Nov 22 2022

web oct 12 2021 scoprite come combattere l ansia senza lasciarvi sopraffare dai sintomi ecco 10 suggerimenti per migliorare la quotidianità ed evitare di compromettere relazioni lavoro e legami affettivi superare l ansia è uno dei tarli

maggiori per chi deve fare i conti tutti i

**ansia 7 strategie efficaci per superarla da soli** - Jun 17 2022

web may 18 2023 l esercizio fisico può aiutare a ridurre l ansia e lo stress aumentando la produzione di endorfine sostanze chimiche naturali del cervello che inducono una sensazione di benessere e di piacere anche una semplice camminata di 30 minuti può

**come superare l ansia i consigli per vincere gli stati** - Sep 01 2023

web dec 8 2020 ciò significa imparare a non lottare continuamente contro l ansia continuando ad alimentarla ulteriormente questo per evitare che l ansia ci impedisca di continuare a percorrere il nostro percorso verso quello che vogliamo davvero come affrontare

come sconfiggere l ansia 15 passaggi con immagini - Jul 31 2023

web se sai che le e mail di lavoro ti rendono ansioso prova a evitarle per un po 3 medita le tecniche di rilassamento e di meditazione sono molto utili per alleviare l ansia esistono diversi tipi di meditazione il consiglio è di sperimentarne diversi per scegliere quello più

**come superare gli stati d ansia consigli pratici per ritrovare la** - Mar 15 2022

**superare l ansia consigli pratici quando ti senti bloccato** - Aug 20 2022

web feb 1 2018 l ansia è un argomento delicato in questo video voglio aiutarti con le 3 cose più importanti che ho imparato per capire come superare i momenti più difficili

5 strategie efficaci per uscire dall ansia come ritrovare la serenità - Dec 24 2022

web gestisci l ansia e la depressione sul momento l ansia può essere così incalzante da farti credere di perdere il controllo esistono alcune tecniche che aiutano a calmare il corpo e la mente i sintomi della depressione sono tanti e differiscono a seconda del disturbo

**attacco di ansia come gestirlo in 5 minuti esercizio pratico** - Jun 29 2023

web jul 12 2023 vantaggi miglioramento della salute mentale uscire dall ansia significa ridurre lo stress e migliorare la salute mentale una maggiore calma interiore può portare a una sensazione di relax e benessere

*come superare l ansia sociale 10 passaggi wikipedi* - Oct 22 2022

web may 3 2023 tuttavia ci sono diversi modi per affrontare e superare lo stato d ansia l approccio più efficace consiste nel modificare la propria routine quotidiana e l adozione di uno stile di vita più sano con una dieta equilibrata esercizi fisici regolari e un adeguato

come superare l ansia da prestazione strategie efficaci per - Nov 10 2021

**10 metodi per calmare l ansia rapidamente senza** - Apr 27 2023

web may 1 2023 per superare l ansia ho sperimentato diverse tecniche di rilassamento muscolare come il training autogeno la meditazione lo yoga e il tai chi ho scoperto che queste pratiche sono state utili per ridurre i sintomi di ansia e lo stress inoltre non

come superare il disturbo d ansia con immagini - Feb 23 2023

web jun 22 2020 il nostro tentativo di combattere l ansia diventa il problema combattere l ansia smettendo di combatterla ecco che allora la strategia per combattere l ansia diventa quella di lasciarle spazio di ridurre tutte le strategie di evitamento esperienziale

come superare l ansia youtube - Jan 13 2022

*come affrontare l ansia 6 passi per prendere il controllo* - Mar 27 2023

web jul 13 2023 vantaggi maggiore capacità di affrontare situazioni potenzialmente ansiose superare l ansia comporta un aumento della capacità di affrontare situazioni potenzialmente stressanti sia sul luogo di lavoro che nella vita personale ciò consente

**3 modi per combattere l ansia wikihow** - Jan 25 2023

web may 1 2023 scopri come superare la crisi d ansia in modo efficace consigli pratici la gestione dell ansia in solitudine può essere difficoltosa ma è possibile

cinque tecniche per superare l ansia sociale ecco come liberarsi - Dec 12 2021

come superare l ansia con immagini wikihow - Oct 02 2023

web may 3 2023 respirazione profonda inspirare lentamente attraverso il naso fino a riempire i polmoni e poi espirare lentamente attraverso la bocca concentrandosi sui movimenti dell addome questo può aiutare a ridurre la tensione muscolare e a calmare la mente

**ansia 10 consigli per imparare a gestirla viversano net** - Apr 15 2022

**come ho superato l ansia esperienze e testimonianze** - Sep 20 2022

web in questo video si spiega come affrontare l ansia esistono delle strategie utili per combattere e vincere il disturbo in modo definitivo questo video è re

*come combattere l ansia riducendo l evitamento esperienziale* - Jul 19 2022

web may 2 2023 imparare tecniche di rilassamento la meditazione il yoga o le tecniche di respirazione sono tutti utili per

ridurre lo stress e l'ansia sociale affrontare gradualmente le situazioni temute l'esposizione graduale alle situazioni che causano ansia può aiutare a  
come affrontare l'ansia strategie per superarla - Feb 11 2022