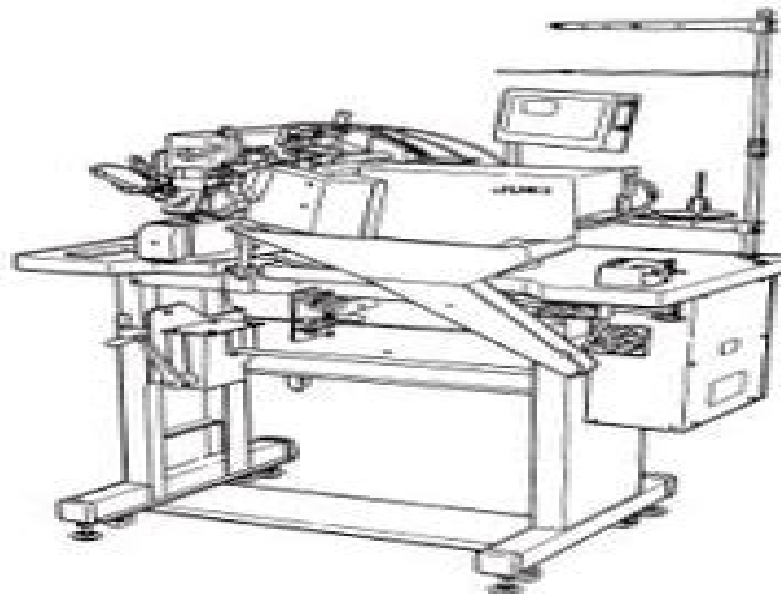


JUKI®

2-needle, Automatic Belt-loop Attaching Machine

MOL-254

ENGINEER'S MANUAL



29341005
No.00

Juki Mol 254 3 Service Manual

SA Dillow



Juki Mol 254 3 Service Manual:

Thank you utterly much for downloading **Juki Mol 254 3 Service Manual**. Most likely you have knowledge that, people have seen numerous times for their favorite books bearing in mind this Juki Mol 254 3 Service Manual, but end stirring in harmful downloads.

Rather than enjoying a fine book in imitation of a mug of coffee in the afternoon, on the other hand they juggled like some harmful virus inside their computer. **Juki Mol 254 3 Service Manual** is simple in our digital library an online entrance to it is set as public as a result you can download it instantly. Our digital library saves in complex countries, allowing you to get the most less latency era to download any of our books later this one. Merely said, the Juki Mol 254 3 Service Manual is universally compatible subsequent to any devices to read.

https://staging.conocer.cide.edu/public/scholarship/index.jsp/johnson_seahorse_2hp_carb_piece.pdf

Table of Contents Juki Mol 254 3 Service Manual

1. Understanding the eBook Juki Mol 254 3 Service Manual
 - The Rise of Digital Reading Juki Mol 254 3 Service Manual
 - Advantages of eBooks Over Traditional Books
2. Identifying Juki Mol 254 3 Service Manual
 - Exploring Different Genres
 - Considering Fiction vs. Non-Fiction
 - Determining Your Reading Goals
3. Choosing the Right eBook Platform
 - Popular eBook Platforms
 - Features to Look for in an Juki Mol 254 3 Service Manual
 - User-Friendly Interface
4. Exploring eBook Recommendations from Juki Mol 254 3 Service Manual
 - Personalized Recommendations
 - Juki Mol 254 3 Service Manual User Reviews and Ratings

- Juki Mol 254 3 Service Manual and Bestseller Lists
- 5. Accessing Juki Mol 254 3 Service Manual Free and Paid eBooks
 - Juki Mol 254 3 Service Manual Public Domain eBooks
 - Juki Mol 254 3 Service Manual eBook Subscription Services
 - Juki Mol 254 3 Service Manual Budget-Friendly Options
- 6. Navigating Juki Mol 254 3 Service Manual eBook Formats
 - ePub, PDF, MOBI, and More
 - Juki Mol 254 3 Service Manual Compatibility with Devices
 - Juki Mol 254 3 Service Manual Enhanced eBook Features
- 7. Enhancing Your Reading Experience
 - Adjustable Fonts and Text Sizes of Juki Mol 254 3 Service Manual
 - Highlighting and Note-Taking Juki Mol 254 3 Service Manual
 - Interactive Elements Juki Mol 254 3 Service Manual
- 8. Staying Engaged with Juki Mol 254 3 Service Manual
 - Joining Online Reading Communities
 - Participating in Virtual Book Clubs
 - Following Authors and Publishers Juki Mol 254 3 Service Manual
- 9. Balancing eBooks and Physical Books Juki Mol 254 3 Service Manual
 - Benefits of a Digital Library
 - Creating a Diverse Reading Collection Juki Mol 254 3 Service Manual
- 10. Overcoming Reading Challenges
 - Dealing with Digital Eye Strain
 - Minimizing Distractions
 - Managing Screen Time
- 11. Cultivating a Reading Routine Juki Mol 254 3 Service Manual
 - Setting Reading Goals Juki Mol 254 3 Service Manual
 - Carving Out Dedicated Reading Time
- 12. Sourcing Reliable Information of Juki Mol 254 3 Service Manual
 - Fact-Checking eBook Content of Juki Mol 254 3 Service Manual
 - Distinguishing Credible Sources

13. Promoting Lifelong Learning
 - Utilizing eBooks for Skill Development
 - Exploring Educational eBooks
14. Embracing eBook Trends
 - Integration of Multimedia Elements
 - Interactive and Gamified eBooks

Juki Mol 254 3 Service Manual Introduction

In the digital age, access to information has become easier than ever before. The ability to download Juki Mol 254 3 Service Manual has revolutionized the way we consume written content. Whether you are a student looking for course material, an avid reader searching for your next favorite book, or a professional seeking research papers, the option to download Juki Mol 254 3 Service Manual has opened up a world of possibilities. Downloading Juki Mol 254 3 Service Manual provides numerous advantages over physical copies of books and documents. Firstly, it is incredibly convenient. Gone are the days of carrying around heavy textbooks or bulky folders filled with papers. With the click of a button, you can gain immediate access to valuable resources on any device. This convenience allows for efficient studying, researching, and reading on the go. Moreover, the cost-effective nature of downloading Juki Mol 254 3 Service Manual has democratized knowledge. Traditional books and academic journals can be expensive, making it difficult for individuals with limited financial resources to access information. By offering free PDF downloads, publishers and authors are enabling a wider audience to benefit from their work. This inclusivity promotes equal opportunities for learning and personal growth. There are numerous websites and platforms where individuals can download Juki Mol 254 3 Service Manual. These websites range from academic databases offering research papers and journals to online libraries with an expansive collection of books from various genres. Many authors and publishers also upload their work to specific websites, granting readers access to their content without any charge. These platforms not only provide access to existing literature but also serve as an excellent platform for undiscovered authors to share their work with the world. However, it is essential to be cautious while downloading Juki Mol 254 3 Service Manual. Some websites may offer pirated or illegally obtained copies of copyrighted material. Engaging in such activities not only violates copyright laws but also undermines the efforts of authors, publishers, and researchers. To ensure ethical downloading, it is advisable to utilize reputable websites that prioritize the legal distribution of content. When downloading Juki Mol 254 3 Service Manual, users should also consider the potential security risks associated with online platforms. Malicious actors may exploit vulnerabilities in unprotected websites to distribute malware or steal personal information. To protect themselves, individuals should ensure their devices have reliable antivirus software installed and

validate the legitimacy of the websites they are downloading from. In conclusion, the ability to download Juki Mol 254 3 Service Manual has transformed the way we access information. With the convenience, cost-effectiveness, and accessibility it offers, free PDF downloads have become a popular choice for students, researchers, and book lovers worldwide. However, it is crucial to engage in ethical downloading practices and prioritize personal security when utilizing online platforms. By doing so, individuals can make the most of the vast array of free PDF resources available and embark on a journey of continuous learning and intellectual growth.

FAQs About Juki Mol 254 3 Service Manual Books

What is a Juki Mol 254 3 Service Manual PDF? A PDF (Portable Document Format) is a file format developed by Adobe that preserves the layout and formatting of a document, regardless of the software, hardware, or operating system used to view or print it. **How do I create a Juki Mol 254 3 Service Manual PDF?** There are several ways to create a PDF: Use software like Adobe Acrobat, Microsoft Word, or Google Docs, which often have built-in PDF creation tools. **Print to PDF:** Many applications and operating systems have a "Print to PDF" option that allows you to save a document as a PDF file instead of printing it on paper. **Online converters:** There are various online tools that can convert different file types to PDF. **How do I edit a Juki Mol 254 3 Service Manual PDF?** Editing a PDF can be done with software like Adobe Acrobat, which allows direct editing of text, images, and other elements within the PDF. Some free tools, like PDFescape or Smallpdf, also offer basic editing capabilities. **How do I convert a Juki Mol 254 3 Service Manual PDF to another file format?** There are multiple ways to convert a PDF to another format: Use online converters like Smallpdf, Zamzar, or Adobe Acrobat's export feature to convert PDFs to formats like Word, Excel, JPEG, etc. Software like Adobe Acrobat, Microsoft Word, or other PDF editors may have options to export or save PDFs in different formats. **How do I password-protect a Juki Mol 254 3 Service Manual PDF?** Most PDF editing software allows you to add password protection. In Adobe Acrobat, for instance, you can go to "File" -> "Properties" -> "Security" to set a password to restrict access or editing capabilities. **Are there any free alternatives to Adobe Acrobat for working with PDFs?** Yes, there are many free alternatives for working with PDFs, such as: LibreOffice: Offers PDF editing features. PDFsam: Allows splitting, merging, and editing PDFs. Foxit Reader: Provides basic PDF viewing and editing capabilities. **How do I compress a PDF file?** You can use online tools like Smallpdf, ILovePDF, or desktop software like Adobe Acrobat to compress PDF files without significant quality loss. Compression reduces the file size, making it easier to share and download. **Can I fill out forms in a PDF file?** Yes, most PDF viewers/editors like Adobe Acrobat, Preview (on Mac), or various online tools allow you to fill out forms in PDF files by selecting text fields and entering information. **Are there any restrictions when working with PDFs?** Some PDFs might have restrictions set by their creator,

such as password protection, editing restrictions, or print restrictions. Breaking these restrictions might require specific software or tools, which may or may not be legal depending on the circumstances and local laws.

Find Juki Mol 254 3 Service Manual :

johnson seahorse 2hp carb piece

johnson seahorse outboard service manual

jour j t21 crpuscule damns

johnson 60 hp outboard for sale

jonsereds service manual 49 sp

journal intime dauphin collectif

journal of finance

johnson 2hp outboard manual

jomo kenyatta university intake august 2015

johnson evinrude 1956 1970 workshop service manual

joshuas law brae pack siren publishing everlasting classic manlove

jokes es and anecdotes an anatomy of wit english edition

johnson 5 hp outboard manual 1998 2stroke

jota journal of optimization theory and applications

johnson 50hp repair manual

Juki Mol 254 3 Service Manual :

The Ex Factor The Ex Factor. The Ex Factor Guide. Please select your gender: MEN, Click Here ». WOMEN, Click Here ». View Full Site View Mobile Site. About ... The Ex Factor Guide by Brad Browning The Ex Factor Guide helps you fix issues with your old relationships such as jealousy and fighting, this program teaches you how to use the best methods. 10 ... Does anyone have anything to say about the Ex-Factor ... There's really no big secret to breaking up. Stop contact until you're healed, at least. Socialize normally, do the things you enjoy, learn who ... How do I use the method of an ex-factor guide review? Mar 20, 2020 — Understand the reasons for the breakup: Before attempting to get your ex-partner back, it's important to understand why the breakup occurred in ... The Ex Factor Guide 2.0 Review 2024 ☐ Nov 4, 2023 — The Ex Factor Guide 2.0 offers guidance on how to avoid common mistakes that often hinder relationship recovery. By learning from

others' ... The Ex Factor | Guide to Getting Your Ex Back Men Click Here. Women Click Here. The Ex Factor Guide by Brad Browning Review (Update 2023) Jan 7, 2023 — The Ex Factor Guide by Brad Browning Review (Update 2023) ... If you decide to get your ex back, I believe that The Ex Factor Guide can increase ... The Ex Factor Review (2023): Will it Help You Get Your Ex ... Summary · The Ex Factor is a digital program designed by Brad Browning to help individuals win back their ex-girlfriend or ex-boyfriend. · The program is based on ... (PDF) The Ex Factor Guide by Brad Browning Nov 10, 2023 — The Ex Factor Guide is a powerful resource designed to help you understand the dynamics of relationships and provide you with practical ... DIY Remove Headliner Gen 4 Camry Sep 21, 2005 — To replace the dome, use a flat head screw driver, look closely for a slot on the lense, and pry it off. Simple. Toyota Camry Headliner Removal | By Fix Any Car How to remove Toyota headliner, sun visor, grab handle ... How can i remove headliner on 2019 camry Most of it is held together with clips (use picks and plastic trim removal tools), start at the front remove A, B, C pillar trims, then go to ... TOYOTA CAMRY 2028+ REMOVE HEADLINER + install ... Toyota Camry Roof Lining Repair | SAGGING ROOFLINING Toyota Camry headliner console removal Q&A: Tips to Replace Factory Roof on 03 Camry Jul 27, 2010 — To remove the headliner requires removing the interior trim panels for the a pillar, b pillar and the c pillar as well as the grab handles and ... Toyota Camry Headliner Removal Why We Do What We Do: Understanding Self-Motivation The bottom line: we do what we do because we have some basic need for freedom, to express ourselves authentically, to be the unique person we just plain ARE. Why We Do What We Do: Understanding Self-Motivation People do things effectively -- whether it is to work, to learn, or to cooperate in any social relationship -- when they are "self-motivated". This means they ... Why We Do What We Do: Understanding Self-Motivation Explaining the reasons why a task is important and then allowing as much personal freedom as possible in carrying out the task will stimulate interest and ... Why We Do What We Do Summary Being intrinsically motivated is better for our mental health, because we feel more in control, and we understand why we're doing what we're doing. We don't ... Why We Do What We Do: Understanding Self-Motivation ... The bottom line: we do what we do because we have some basic need for freedom, to express ourselves authentically, to be the unique person we just plain ARE. Why We Do What We Do by Edward L. Deci, Richard Flaste Aug 1, 1996 — The best way to motivate people—at school, at work, or at home—is to support their sense of autonomy. Explaining the reasons why a task is ... Why We Do What We Do - Understanding Self-Motivation ... Sep 13, 2018 — Autonomy fuels growth and health because it allows people to experience themselves as themselves, as the initiators of their own actions. How ... Why We Do What We Do: Understanding Self-Motivation Self-Determination is a leading theory in human motivation that explains how people as active organisms, have evolved tendencies toward growing, mastering ... Why We Do What We Do: Understanding Self-Motivation Why We Do What We Do: Understanding Self-Motivation. Social Psych, Decision Science ... Why We Do What We Do: Understanding Self-Motivation. Edward Deci. kindle ...