



Fig. 1



Fig. 2



Fig. 3



Fig. 4



Fig. 5

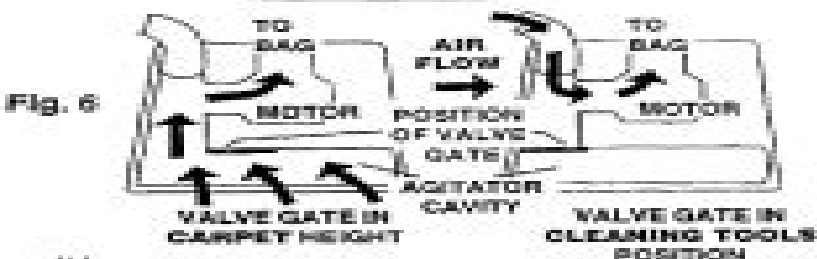
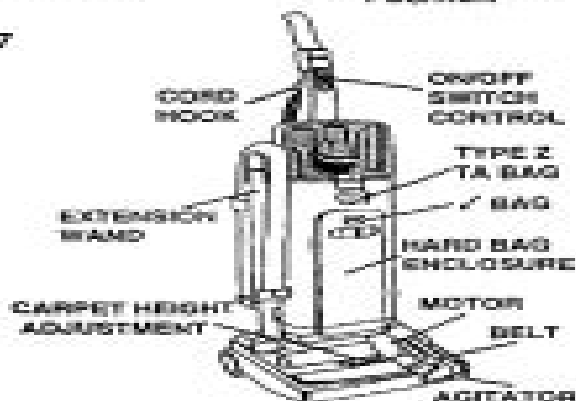


Fig. 6



Fig. 7



Dimension™ Upright

The Dimension™ Upright series of cleaners was first introduced in mid-1994 as replacements for Legacy models. Fig. 1.

All models were introduced initially with:

- Molded, integral handle grips
- On/Off switch on the front of the upper handle
- Two brush agitator (Replaceable Roll Sleeve)
- Extra bag and belt storage on the unit Fig. 2
- One 12v headlight
- Hard bag enclosure
- One speed motor
- Stair cleaning handle
- Four position carpet height adjustment Fig. 3
- Top tool conversion
- Triple stretch hose
- Tool storage on the front of the unit
- One molded extension wand
- Type Z microfiltration throw away bags

Some models have a "check bag" indicator on the outside of the bag door. Fig. 4

The cleaning tool hose attaches to the cleaner through the top of the hood and CAN stay attached at all times.

When using cleaning tools, the nozzle control must be in the #5 cleaning tools position. Fig. 5

With the nozzle control in the number 5 position, a valve gate in the main body closes and blocks all air flow from the agitator cavity therefore diverting it to the hose.

Set on carpet, positions 1-4, the gate valve is opened allowing air to flow from the agitator cavity to the motor. Fig. 6

To ensure maximum efficiency in the 4 floor cleaning positions both hose ends must be firmly connected to the cleaner base and tool rack Fig. 7 or the hose removed completely and the tool door closed.

Refer to the Hoover Service Manual for repair procedures and the Microfiche Parts Catalog – light brown header – for spare parts.

Hoover U5212900 Vacuums Owners Manual

Joacim Rocklöv



Hoover U5212900 Vacuums Owners Manual:

This book delves into Hoover U5212900 Vacuums Owners Manual. Hoover U5212900 Vacuums Owners Manual is an essential topic that needs to be grasped by everyone, from students and scholars to the general public. The book will furnish comprehensive and in-depth insights into Hoover U5212900 Vacuums Owners Manual, encompassing both the fundamentals and more intricate discussions.

1. This book is structured into several chapters, namely:
 - Chapter 1: Introduction to Hoover U5212900 Vacuums Owners Manual
 - Chapter 2: Essential Elements of Hoover U5212900 Vacuums Owners Manual
 - Chapter 3: Hoover U5212900 Vacuums Owners Manual in Everyday Life
 - Chapter 4: Hoover U5212900 Vacuums Owners Manual in Specific Contexts
 - Chapter 5: Conclusion
 2. In chapter 1, the author will provide an overview of Hoover U5212900 Vacuums Owners Manual. The first chapter will explore what Hoover U5212900 Vacuums Owners Manual is, why Hoover U5212900 Vacuums Owners Manual is vital, and how to effectively learn about Hoover U5212900 Vacuums Owners Manual.
 3. In chapter 2, this book will delve into the foundational concepts of Hoover U5212900 Vacuums Owners Manual. This chapter will elucidate the essential principles that must be understood to grasp Hoover U5212900 Vacuums Owners Manual in its entirety.
 4. In chapter 3, the author will examine the practical applications of Hoover U5212900 Vacuums Owners Manual in daily life. The third chapter will showcase real-world examples of how Hoover U5212900 Vacuums Owners Manual can be effectively utilized in everyday scenarios.
 5. In chapter 4, the author will scrutinize the relevance of Hoover U5212900 Vacuums Owners Manual in specific contexts. The fourth chapter will explore how Hoover U5212900 Vacuums Owners Manual is applied in specialized fields, such as education, business, and technology.
 6. In chapter 5, this book will draw a conclusion about Hoover U5212900 Vacuums Owners Manual. The final chapter will summarize the key points that have been discussed throughout the book.
- The book is crafted in an easy-to-understand language and is complemented by engaging illustrations. This book is highly recommended for anyone seeking to gain a comprehensive understanding of Hoover U5212900 Vacuums Owners Manual.

<https://staging.conocer.cide.edu/book/publication/HomePages/human%20revolution%20volume%20.pdf>

Table of Contents Hoover U5212900 Vacuums Owners Manual

1. Understanding the eBook Hoover U5212900 Vacuums Owners Manual
 - The Rise of Digital Reading Hoover U5212900 Vacuums Owners Manual
 - Advantages of eBooks Over Traditional Books
2. Identifying Hoover U5212900 Vacuums Owners Manual
 - Exploring Different Genres
 - Considering Fiction vs. Non-Fiction
 - Determining Your Reading Goals
3. Choosing the Right eBook Platform
 - Popular eBook Platforms
 - Features to Look for in an Hoover U5212900 Vacuums Owners Manual
 - User-Friendly Interface
4. Exploring eBook Recommendations from Hoover U5212900 Vacuums Owners Manual
 - Personalized Recommendations
 - Hoover U5212900 Vacuums Owners Manual User Reviews and Ratings
 - Hoover U5212900 Vacuums Owners Manual and Bestseller Lists
5. Accessing Hoover U5212900 Vacuums Owners Manual Free and Paid eBooks
 - Hoover U5212900 Vacuums Owners Manual Public Domain eBooks
 - Hoover U5212900 Vacuums Owners Manual eBook Subscription Services
 - Hoover U5212900 Vacuums Owners Manual Budget-Friendly Options
6. Navigating Hoover U5212900 Vacuums Owners Manual eBook Formats
 - ePub, PDF, MOBI, and More
 - Hoover U5212900 Vacuums Owners Manual Compatibility with Devices
 - Hoover U5212900 Vacuums Owners Manual Enhanced eBook Features
7. Enhancing Your Reading Experience
 - Adjustable Fonts and Text Sizes of Hoover U5212900 Vacuums Owners Manual
 - Highlighting and Note-Taking Hoover U5212900 Vacuums Owners Manual
 - Interactive Elements Hoover U5212900 Vacuums Owners Manual

8. Staying Engaged with Hoover U5212900 Vacuums Owners Manual
 - Joining Online Reading Communities
 - Participating in Virtual Book Clubs
 - Following Authors and Publishers Hoover U5212900 Vacuums Owners Manual
9. Balancing eBooks and Physical Books Hoover U5212900 Vacuums Owners Manual
 - Benefits of a Digital Library
 - Creating a Diverse Reading Collection Hoover U5212900 Vacuums Owners Manual
10. Overcoming Reading Challenges
 - Dealing with Digital Eye Strain
 - Minimizing Distractions
 - Managing Screen Time
11. Cultivating a Reading Routine Hoover U5212900 Vacuums Owners Manual
 - Setting Reading Goals Hoover U5212900 Vacuums Owners Manual
 - Carving Out Dedicated Reading Time
12. Sourcing Reliable Information of Hoover U5212900 Vacuums Owners Manual
 - Fact-Checking eBook Content of Hoover U5212900 Vacuums Owners Manual
 - Distinguishing Credible Sources
13. Promoting Lifelong Learning
 - Utilizing eBooks for Skill Development
 - Exploring Educational eBooks
14. Embracing eBook Trends
 - Integration of Multimedia Elements
 - Interactive and Gamified eBooks

Hoover U5212900 Vacuums Owners Manual Introduction

In the digital age, access to information has become easier than ever before. The ability to download Hoover U5212900 Vacuums Owners Manual has revolutionized the way we consume written content. Whether you are a student looking for course material, an avid reader searching for your next favorite book, or a professional seeking research papers, the option to download Hoover U5212900 Vacuums Owners Manual has opened up a world of possibilities. Downloading Hoover U5212900 Vacuums Owners Manual provides numerous advantages over physical copies of books and documents. Firstly, it

is incredibly convenient. Gone are the days of carrying around heavy textbooks or bulky folders filled with papers. With the click of a button, you can gain immediate access to valuable resources on any device. This convenience allows for efficient studying, researching, and reading on the go. Moreover, the cost-effective nature of downloading Hoover U5212900 Vacuums Owners Manual has democratized knowledge. Traditional books and academic journals can be expensive, making it difficult for individuals with limited financial resources to access information. By offering free PDF downloads, publishers and authors are enabling a wider audience to benefit from their work. This inclusivity promotes equal opportunities for learning and personal growth. There are numerous websites and platforms where individuals can download Hoover U5212900 Vacuums Owners Manual. These websites range from academic databases offering research papers and journals to online libraries with an expansive collection of books from various genres. Many authors and publishers also upload their work to specific websites, granting readers access to their content without any charge. These platforms not only provide access to existing literature but also serve as an excellent platform for undiscovered authors to share their work with the world. However, it is essential to be cautious while downloading Hoover U5212900 Vacuums Owners Manual. Some websites may offer pirated or illegally obtained copies of copyrighted material. Engaging in such activities not only violates copyright laws but also undermines the efforts of authors, publishers, and researchers. To ensure ethical downloading, it is advisable to utilize reputable websites that prioritize the legal distribution of content. When downloading Hoover U5212900 Vacuums Owners Manual, users should also consider the potential security risks associated with online platforms. Malicious actors may exploit vulnerabilities in unprotected websites to distribute malware or steal personal information. To protect themselves, individuals should ensure their devices have reliable antivirus software installed and validate the legitimacy of the websites they are downloading from. In conclusion, the ability to download Hoover U5212900 Vacuums Owners Manual has transformed the way we access information. With the convenience, cost-effectiveness, and accessibility it offers, free PDF downloads have become a popular choice for students, researchers, and book lovers worldwide. However, it is crucial to engage in ethical downloading practices and prioritize personal security when utilizing online platforms. By doing so, individuals can make the most of the vast array of free PDF resources available and embark on a journey of continuous learning and intellectual growth.

FAQs About Hoover U5212900 Vacuums Owners Manual Books

How do I know which eBook platform is the best for me? Finding the best eBook platform depends on your reading preferences and device compatibility. Research different platforms, read user reviews, and explore their features before making a choice. Are free eBooks of good quality? Yes, many reputable platforms offer high-quality free eBooks, including

classics and public domain works. However, make sure to verify the source to ensure the eBook credibility. Can I read eBooks without an eReader? Absolutely! Most eBook platforms offer web-based readers or mobile apps that allow you to read eBooks on your computer, tablet, or smartphone. How do I avoid digital eye strain while reading eBooks? To prevent digital eye strain, take regular breaks, adjust the font size and background color, and ensure proper lighting while reading eBooks. What the advantage of interactive eBooks? Interactive eBooks incorporate multimedia elements, quizzes, and activities, enhancing the reader engagement and providing a more immersive learning experience. Hoover U5212900 Vacuums Owners Manual is one of the best book in our library for free trial. We provide copy of Hoover U5212900 Vacuums Owners Manual in digital format, so the resources that you find are reliable. There are also many Ebooks of related with Hoover U5212900 Vacuums Owners Manual. Where to download Hoover U5212900 Vacuums Owners Manual online for free? Are you looking for Hoover U5212900 Vacuums Owners Manual PDF? This is definitely going to save you time and cash in something you should think about.

Find Hoover U5212900 Vacuums Owners Manual :

human revolution volume 2

~~hunchback of notre dame bantam classics~~

humankind planet earths most enigmatic species

human resource mgmt.in hosp. >custom<

human variation an introduction to physical anthropology

~~human genetics conc.+appl.cloth~~

human rights violations against indigenous peoples

~~humes gematigd scepticisme futiel of fataal~~

human figure an anatomy for artists

hundert jahre deutsches schicksal aaber ha hen und tiefen zur gegenwart

humanities in homespun

human factors for pilots 2nd

human parasitology

human centric computing languages and environments; proceedings.

human perspective in sociology the

Hoover U5212900 Vacuums Owners Manual :

old path white clouds walking in the footsteps of the buddha - Jul 14 2023

web old path white clouds walking in the footsteps of the buddha thich nhat hanh 4 40 6 034 ratings601 reviews presenting the life and teachings of gautama buddha drawn directly from 24 pali sanskrit and chinese sources and retold by beloved zen teacher thich nhat hanh

old path white clouds walking in the footsteps of the buddha - Jun 01 2022

web apr 30 1987 old path white clouds walking in the footsteps of the buddha nhat hanh thich thi hop nguyen 9780938077268 books amazon ca

old path white clouds walking in the footsteps of the buddha - Jan 28 2022

web old path white clouds presents the life and teachings of gautama buddha drawn directly from 24 pali sanskrit and chinese sources and retold by thich nhat hand in his inimitable beautiful style this book traces the buddha life slowly and gently over the course of 80 years partly through the eyes of svasti the buffalo boy and partly through the eyes of

old path white clouds walking in the footsteps of the buddha - Apr 30 2022

web listen to old path white clouds walking in the footsteps of the buddha on spotify

old path white clouds episode 1 youtube - Jun 13 2023

web jul 20 2020 old path white clouds episode 1 plum village uk 2 83k subscribers subscribe 332 share 12k views 2 years ago chapter one walking just to walk the buddha stops by uruvela village along the

old path white clouds by thich nhất hạnh open library - Mar 30 2022

web dec 21 2022 old path white clouds walking in the footsteps of the buddha may 1 1991 parallax press paperback in english 0938077260 9780938077268 zzzz not in library libraries near you worldcat showing 1 to 3

old path white clouds quotes by thich nhat hanh goodreads - Aug 03 2022

web old path white clouds quotes showing 1 30 of 63 attachment to views is the greatest impediment to the spiritual path thich nhat hanh old path white clouds walking in the footsteps of the buddha 125 likes like bhikkhus the teaching is merely a vehicle to describe the truth don t mistake it for the truth itself

old path white clouds volume 1 of 2 walking in the footsteps - Nov 06 2022

web old path white clouds volume 1 of 2 walking in the footsteps of the buddha nhat hanh thich amazon com tr kitap

old path white clouds thich nhat hanh free download - Aug 15 2023

web jan 27 2019 by thich nhat hanh topics buddha spiritual path collection opensource language english biographical work with explanation of spiritual path of buddha

old path white clouds walking in the footsteps of the buddha - Jan 08 2023

web retold in thich nhat hanh s inimitably beautiful style this book traces the buddha s life over the course of 80 years partly through the eyes of svasti the buffalo boy and partly through the

old path white clouds parallax press - Jul 02 2022

web jan 15 2020 old path white clouds presents the life and teachings of gautama buddha drawn directly from 24 pali sanskrit and chinese sources and retold by thich nhat hanh in his inimitably read more paperback 32 95 ebook 16 99 free u s shipping on orders above 30 add to cart

old path white clouds google books - Sep 04 2022

web parallax press 1991 599 pages drawn from original sources old path white clouds is the beautiful classic recounting of the life and teachings of gautama buddha over the course of eighty years it is retold alternately through the eyes of svasti the buffalo boy who provided kusa grass for the buddha s enlightenment cushion and the buddha

old path white clouds walking in the footsteps of the buddha - Dec 07 2022

web old path white clouds walking in the footsteps of the buddha thich nhat hanh readhowyouwant com 2010 religion 488 pages 0 reviews reviews aren t verified but google checks for and removes

old path white clouds the life story of the buddha - Dec 27 2021

web old path white clouds the life story of the buddha hanh thich nhat amazon com tr kitap

old path white clouds walking in the footsteps of the buddha - Apr 11 2023

web apr 30 1987 retold in thich nhat hanh s inimitably beautiful style this book traces the buddha s life over the course of 80 years partly through the eyes of svasti the buffalo boy and partly through the eyes of the buddha himself old path white clouds is a classic of religious literature

review of old path white clouds middle way education - Feb 26 2022

web details old path white clouds walking in the footsteps of the buddha by thich nhat hanh illustrated by nguyen thi hop translated by mobi ho published by parallax press click here to purchase old path white clouds presents the life and teachings of gautama buddha

old path white clouds thich nhat hanh google books - Feb 09 2023

web apr 20 2010 old path white clouds is destined to become a classic of religious literature thich nhat hanh is a vietnamese buddhist monk his life long efforts to generate peace and reconciliation moved martin luther king

old path white clouds penguin books uk - Oct 05 2022

web old path white clouds the life story of the buddha paperback shop now summary the buddha was the source venerable svasti and the young buffalo boys were rivers that flowed from the source wherever the rivers flowed the buddha would be there

old path white clouds plum village - May 12 2023

web old path white clouds presents the life and teachings of gautama buddha drawn directly from 24 pali sanskrit and chinese sources and retold by thich nhat hanh in his inimitably beautiful style

old path white clouds walking in the footsteps of the buddha - Mar 10 2023

web mar 23 2011 old path white clouds walking in the footsteps of the buddha by thich nhat hanh translated by mobi ho berkeley parallax press 1991 viii 599 pp 25 00 the journal of asian studies cambridge core

handbook of asset and liability management google books - Jan 08 2023

web jul 17 2006 handbook of asset and liability management theory and methodology handbook of asset and liability management this first volume of the handbook of asset and liability

handbook of asset and liability management from mo - Dec 07 2022

web the handbook of asset liability management state of art investment strategies risk controls and regulatory required asset recovery handbook asset liability management

handbook of asset and liability management wiley online books - Aug 15 2023

web jan 2 2012 in the handbook of asset and liability management from models to optimal return strategies alexandre adam presents a comprehensive guide to asset and liability management written from a quantitative perspective with economic explanations this book will appeal to both mathematicians and non mathematicians alike as it gives an

handbook of asset and liability management wiley online library - Jun 01 2022

web jan 2 2012 this chapter presents an overview of the existing asset and liability management alm activity and its history to explain why banks and insurance companies at the end of the 1980s decided to create alm departments

handbook of asset and liability management wiley online library - Jul 14 2023

web handbook of asset and liability management from models to optimal return strategies alexandre adam p cm includes bibliographical references and index isbn 978 0 470 03496 5 1 asset liability management i title hg1615 25 a33 2007 658 15 5 dc22 2007033392 british library cataloguing in publication data

asset and liability management handbook springerlink - Oct 05 2022

web investors without liabilities don t need assets this is the central message from this timely book that offers the best in class thinking from leading academics and practitioners in the field of asset liability management anyone managing assets will need to read this book prof dr bernd scherer professor of finance edhec business

handbook of asset and liability management from models to - Jun 13 2023

web explaining in detail all the written and unwritten rules of asset liability management using up to date models and the latest findings the handbook of asset and liability management is an essential tool for asset and liability managers both for

[handbook of asset and liability management from mo full pdf](#) - Nov 06 2022

web in the handbook of asset and liability management from models to optimal return strategies alexandre adam presents a comprehensive guide to asset and liability management

[handbook of asset and liability management from mo 2022](#) - Jul 02 2022

web handbook of asset and liability management from mo handbook of asset and liability management volume 2 1st

handbook of asset and liability management ebook by pdf handbook of asset and liability management handbook of asset and liability management sciencedirect asset and liability management tools a

handbook of asset and liability management from models to - Jan 28 2022

web dec 10 2007 the handbook of asset liability management from models to optimal return strategies is a comprehensive resource for asset and liability management alm professionals providing the very latest global coverage of the topic

handbook of asset and liability management from mo - Mar 30 2022

web the handbook of asset liability management state of art investment strategies risk controls and regulatory required handbook of asset and liability management

[handbook of asset and liability management volume 2 applications and](#) - Apr 30 2022

web jan 1 2007 pdf this first volume of the handbook of asset and liability management presents the theories and methods supporting models that align a firm s find read and cite all the research you need

handbook of asset and liability management from models to - Feb 26 2022

web explaining in detail all the written and unwritten rules of asset liability management using up to date models and the latest findings the handbook of asset and liability management is an essential tool for asset and liability managers both for

handbook of asset and liability management from mo pdf - Aug 03 2022

web handbook of asset and liability management volume 2 1st handbook of asset and liability management from models to asset and liability management tools a handbook for best pdf handbook of asset and liability management handbook of asset and liability management wiley online asset and liability

[handbook of asset and liability management google books](#) - Feb 09 2023

web mar 11 2008 john wiley sons mar 11 2008 business economics 576 pages in the handbook of asset and liability management from models to optimal return strategies alexandre adam presents a

asset and liability management handbook springer - Dec 27 2021

web 1 asset liability management 2 asset liability management mathematical models i mitra gautam ii schwaiger katharina 1983 hg1615 25 a73 2011 332 0681 dc22 2011001649 10 9 8 7 6 5 4 3 2 1 20 19 18 17 16 15 14 13 12 11 softcover reprint of the hardcover 1st edition 2011 978 0 230 27779 3

[handbook of asset and liability management from models to](#) - May 12 2023

web explaining in detail all the written and unwritten rules of asset liability management using up to date models and the latest findings the handbook of asset and liability management is an essential tool for asset and liability managers both for

handbook of asset and liability management nibmehub com - Apr 11 2023

web handbook of asset and liability management from models to optimal return strategies alexandre adam p cm includes bibliographical references and index isbn 978 0 470 03496 5 1 asset liability management i title hg1615 25 a33 2007 658 15 5 dc22 2007033392 british library cataloguing in publication data

handbook of asset and liability management sciencedirect - Mar 10 2023

web it is fitting that the series handbooks in finance devotes a handbook to asset and liability management in original articles practitioners and scholars describe and analyze models used in banking insurance money management individual investor financial planning pension funds and social security

handbook of asset and liability management google books - Sep 04 2022

web aug 22 2007 volume 2 focuses on applications and case studies in asset and liability management the growth in knowledge about practical asset and liability modeling has followed the popularity of these models in diverse business settings this volume portrays alm in practice in contrast to volume 1 which addresses the theories and

nick richards sexual power words joint purchases - Oct 26 2022

web purchased nick richards sexual power words thread starter gadzhi start date sep 27 2022 purchase information

download sexual power words nick richards - Feb 27 2023

web e learning marketplace for everyone track your orders my downloads select category

sexual power words nick richards 2023 - Feb 15 2022

web sexual power words nick richards downloaded from implantes odontocompany com by guest braiden ramirez on the meaning of sex entangled indulgence heading south is a novel of two parts written by different authors one depicting the animal loving painter cassie and the other the good humoured nick still reeling from being dumped by his

[nick richards sexual power word pdf pdf black ortax](#) - Nov 26 2022

web nick richards sexual power word pdf pages 3 30 nick richards sexual power word pdf upload betty t robertson 3 30 downloaded from black ortax org on september 4 2023 by betty t robertson suggests how we might begin to rethink the logic of the network and question its ascendancy touted as consensual inclusive and pleasurable the

[sensual power words review of nick richards communication prweb](#) - Aug 04 2023

web nick richards sensual power words has just been released to the public creating a flurry of excitement throughout the men s dating advice community and prompting an in depth review by puabooks net s clint johnson

sexual power words nick richards - Oct 06 2023

web sexual power words nick richards the unfinished church aug 16 2022 i love jesus but hate the church we hear this kind of talk all the time but what if it s profoundly mistaken rob bentz challenges readers to rethink this popular yet ultimately harmful mentality drawing

[nick richards sexual power word admin store motogp](#) - May 21 2022

web nick richards sexual power word 1 nick richards sexual power word the british national bibliography nick and jake stone of tears the franklin cover up windy and chatty power sex suicide true story nick richards sexual power word downloaded from admin store motogp com by guest lacey yazmin the british national

nick richards sexual power word copy tpc redmatters - Dec 28 2022

web nick richards sexual power word 1 nick richards sexual power word windy and chatty the british national bibliography power sex suicide the franklin cover up nick and jake stone of tears true story nick richards sexual power word downloaded from tpc redmatters com by guest preston dickerson windy and chatty ebook partnership

nick richards sexual power word terry goodkind 2023 - Apr 19 2022

web afterward this one merely said the nick richards sexual power word is universally compatible like any devices to read temple of the winds terry goodkind 2015 03 24 spells and prophecies sew havoc in the fight for humankind in the 4th novel of the 1 new york times bestselling author s epic fantasy series

[nick richards sexual power words help discoveram](#) - Mar 19 2022

web nick richards sexual power words marianne faithfull keith richards antony hegarty jarvis cocker rufus wainwright sean lennon teddy thompson cat power kate mcgarrigle anna mcgarrigle easy come easy go

nick richards sexual power words online learning courses - Jun 02 2023

web nick richards sexual power words eliminating pressure reclaiming your power stop fantasizing it s not you it s her really agendas

nick richards sexual power words cdn writermag - May 01 2023

web nick richards sexual power words 3 3 and suffering contagious metaphor rosettbooks the classic magnificent bestselling novel about richard iii now in a special thirtieth anniversary edition with a new preface by the author in this triumphant combination of scholarship and storytelling sharon kay penman redeems richard iii vilified as

famed pickup artist nick richards new book sensual power words - Jul 03 2023

web sep 10 2013 famed pickup artist nick richards new book sensual power words that claims even the average looking joe can harness what they learn so they know what to say to a woman and how to say it to instantly spark feelings or desire has caught the attention of gentlemensuniversity com s stan stevenson prompting an investigative review

nick richards sexual power words admin store motogp - Jul 23 2022

web nick richards sexual power words downloaded from admin store motogp com by guest kane savannah wired rosettbooks this reference helps readers navigate the perilous odyssey those of an lgbtq orientation had to face in an age less enlightened than our own when an attraction to members of the same gender could lead to horrendous abuse

sexual power words nick richards jessica simpson - Aug 24 2022

web sexual power words nick richards is available in our digital library an online access to it is set as public so you can download it instantly our book servers spans in multiple countries allowing you to get the most less latency time to

sensual power words review of nick richards communication - Mar 31 2023

web jun 16 2013 nick richards sensual power words has just been released to the public creating a flurry of excitement throughout the men s dating advice community and prompting an in depth review by puabooks net s clint

nick richards sexual power words ws 1 ps2pdf com - Jun 21 2022

web 2 nick richards sexual power words 2021 04 09 sex tips for girls a c black romance takes center stage as west end theatre s richard troy steps out with none other than castmate lainie graham lucy parker s books are all fabulous

nick richards sexual power words 2023 dna viz tpq - Sep 05 2023

web nick richards sexual power words omb no 6831989740152 edited by jayleen june pharmakon oxford university press national bestseller pulitzer prize winner the bestselling author of nobody s fool and straight man delves deep into the blue collar heart of america in a work that overflows with hilarity heartache and grace

nick richards sexual power words 2023 - Jan 29 2023

web nick richards sexual power words 1178 actual words to rock your sex life and your marriage sep 30 2022 the miracle in this book nicholas presents you a practical unique subliminal very simple detailed method of how to rock your sex life and your marriage you will feel the effects immediately and the results will appear very quickly

nick richards sexual power word catherine richards - Sep 24 2022

web may 11 2023 as download guide nick richards sexual power word it will not bow to many become old as we accustom before you can accomplish it even if pretend something else at home and even in your workplace correspondingly easy so are you question just exercise just what we present below as skillfully as review nick richards sexual power