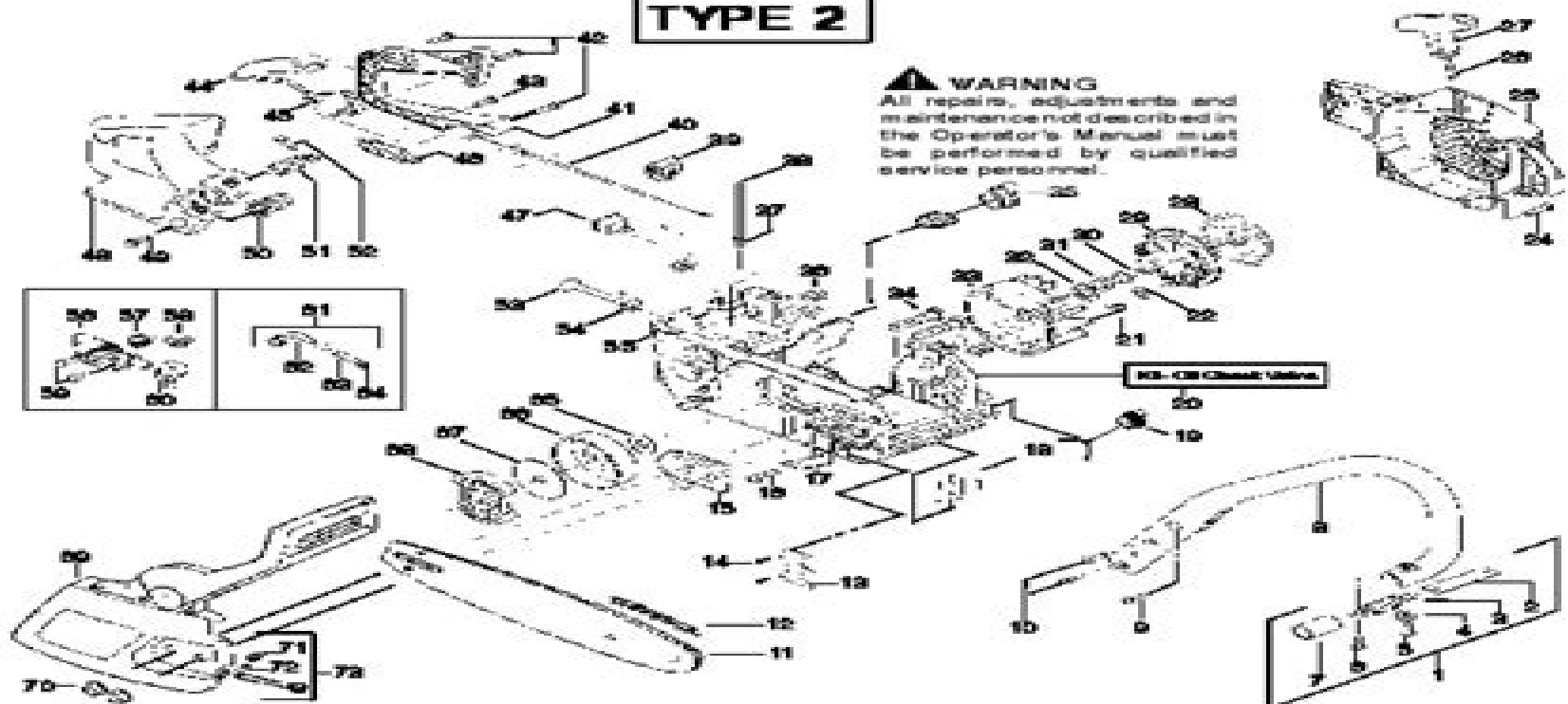


TYPE 2

WARNING
All repairs, adjustments and maintenance described in the Operator's Manual must be performed by qualified service personnel.



Qty.	Part No.	Description	Qty.	Part No.	Description	Qty.	Part No.	Description
1	000047963	Asy - Isolator	27	00009400	Nut - Clutch	28	00007000	Nut - Chain
2	000047968	Strap - Limber	28	000007001	Spring - Recoil	34	00004000	Clutch - Recoil
3	000042003	Spring - Isolator	29	000009000	Pulley - Clutch	35	00000000	Asy - Clutch
4	000010003	Washer	30	000000000	Screw	36	000071000	K1 - Oil Pump
5	000010018	Screw	31	000000004	Nut - Physical			(Inst. 07, 08, 09)
6	000010043	Screw	32	000000000	Washer - Physical	37	000007000	Clutch - Worm Spring
7	000000000	Shims - AV Spring	33	000000000	Asy - Physical	38	000000000	Blow - Oil Pickup
8	000047983	Nut - Bar	34	000000000	Ball - Bar	39	000000004	Screw
9	000010040	Screw	35	000007000	Asy - Fuel Cap	40	000000000	Clutch - Kick
10	000010014	Screw	36	000000000	Nut - J - Type	41	000000000	Asy - Oil Pickup
11	000040000	Bar - 14"	37	000000000	Pin - Fuel In			(Inst. 02 - 04)
12	000010000	Chain 14"	38	000000000	K1 - Fuel In (Inst. 04)	42	000000000	Pin - Up Oil
13	000010001	K1 - Asy Spine (Inst. 14)	39	000000000	Clutch - Cable	43	000000001	Filter - Oil
14	000010000	Screw	40	000000000	Cable - Throttle	44	000000000	Pin - Oil Filter
15	000000000	Plate - Bar Mounting	41	000000001	Cover - Rear Handle	45	000000000	Washer - Thrust
16	000010014	Screw	42	000000000	Screw	46	000000001	Asy - Clutch Drum
17	000000000	Chain Guide	43	000000000	Screw			Washer
18	000010000	Screw	44	000000000	Lockout - Throttle	47	000000001	Washer - Clutch
19	000010040	Asy - Oil Cap	45	000000000	Tagger - Throttle	48	000010000	Asy - Clutch
20	000070000	K1 - Oil Check Valve	46	000000000	Spring	49	000047980	Asy - Chain Brake
21	000000000	Spring - Blaster Dog	47	000000000	K1 - Switch	50	000000000	Nut - Bar Mounting
22	000010000	Screw	48	000000000	Nut - Rear	51	000000000	Pin - Retainer
23	---	---	49	000000004	Screw	52	000000000	Retainer
24	000010000	Screw	50	000000004	Asy - Isolator - Rear	53	000000001	K1 - Bar Adjust
25	000040000	Housing - Fan	51	000071000	K1 - Isolator (Upper)			(Inst. 7 1 & 72)
26	000000000	K1 - Rope	52	000000000	Screw			

Mcculloch Mac 410 Chainsaw Manual

S Ben Porath



Mcculloch Mac 410 Chainsaw Manual:
British Power Farmer and Agricultural Engineer ,1989

Mcculloch Mac 410 Chainsaw Manual Book Review: Unveiling the Power of Words

In a world driven by information and connectivity, the ability of words has been evident than ever. They have the capacity to inspire, provoke, and ignite change. Such could be the essence of the book **Mcculloch Mac 410 Chainsaw Manual**, a literary masterpiece that delves deep to the significance of words and their affect our lives. Compiled by a renowned author, this captivating work takes readers on a transformative journey, unraveling the secrets and potential behind every word. In this review, we will explore the book's key themes, examine its writing style, and analyze its overall impact on readers.

https://staging.conocer.cide.edu/results/uploaded-files/Download_PDFS/how_to_take_out_corsa_radio.pdf

Table of Contents Mcculloch Mac 410 Chainsaw Manual

1. Understanding the eBook Mcculloch Mac 410 Chainsaw Manual
 - The Rise of Digital Reading Mcculloch Mac 410 Chainsaw Manual
 - Advantages of eBooks Over Traditional Books
2. Identifying Mcculloch Mac 410 Chainsaw Manual
 - Exploring Different Genres
 - Considering Fiction vs. Non-Fiction
 - Determining Your Reading Goals
3. Choosing the Right eBook Platform
 - Popular eBook Platforms
 - Features to Look for in an Mcculloch Mac 410 Chainsaw Manual
 - User-Friendly Interface
4. Exploring eBook Recommendations from Mcculloch Mac 410 Chainsaw Manual
 - Personalized Recommendations
 - Mcculloch Mac 410 Chainsaw Manual User Reviews and Ratings
 - Mcculloch Mac 410 Chainsaw Manual and Bestseller Lists
5. Accessing Mcculloch Mac 410 Chainsaw Manual Free and Paid eBooks

- Mcculloch Mac 410 Chainsaw Manual Public Domain eBooks
 - Mcculloch Mac 410 Chainsaw Manual eBook Subscription Services
 - Mcculloch Mac 410 Chainsaw Manual Budget-Friendly Options
6. Navigating Mcculloch Mac 410 Chainsaw Manual eBook Formats
 - ePub, PDF, MOBI, and More
 - Mcculloch Mac 410 Chainsaw Manual Compatibility with Devices
 - Mcculloch Mac 410 Chainsaw Manual Enhanced eBook Features
 7. Enhancing Your Reading Experience
 - Adjustable Fonts and Text Sizes of Mcculloch Mac 410 Chainsaw Manual
 - Highlighting and Note-Taking Mcculloch Mac 410 Chainsaw Manual
 - Interactive Elements Mcculloch Mac 410 Chainsaw Manual
 8. Staying Engaged with Mcculloch Mac 410 Chainsaw Manual
 - Joining Online Reading Communities
 - Participating in Virtual Book Clubs
 - Following Authors and Publishers Mcculloch Mac 410 Chainsaw Manual
 9. Balancing eBooks and Physical Books Mcculloch Mac 410 Chainsaw Manual
 - Benefits of a Digital Library
 - Creating a Diverse Reading Collection Mcculloch Mac 410 Chainsaw Manual
 10. Overcoming Reading Challenges
 - Dealing with Digital Eye Strain
 - Minimizing Distractions
 - Managing Screen Time
 11. Cultivating a Reading Routine Mcculloch Mac 410 Chainsaw Manual
 - Setting Reading Goals Mcculloch Mac 410 Chainsaw Manual
 - Carving Out Dedicated Reading Time
 12. Sourcing Reliable Information of Mcculloch Mac 410 Chainsaw Manual
 - Fact-Checking eBook Content of Mcculloch Mac 410 Chainsaw Manual
 - Distinguishing Credible Sources
 13. Promoting Lifelong Learning
 - Utilizing eBooks for Skill Development

- Exploring Educational eBooks
- 14. Embracing eBook Trends
 - Integration of Multimedia Elements
 - Interactive and Gamified eBooks

Mcculloch Mac 410 Chainsaw Manual Introduction

In this digital age, the convenience of accessing information at our fingertips has become a necessity. Whether its research papers, eBooks, or user manuals, PDF files have become the preferred format for sharing and reading documents. However, the cost associated with purchasing PDF files can sometimes be a barrier for many individuals and organizations. Thankfully, there are numerous websites and platforms that allow users to download free PDF files legally. In this article, we will explore some of the best platforms to download free PDFs. One of the most popular platforms to download free PDF files is Project Gutenberg. This online library offers over 60,000 free eBooks that are in the public domain. From classic literature to historical documents, Project Gutenberg provides a wide range of PDF files that can be downloaded and enjoyed on various devices. The website is user-friendly and allows users to search for specific titles or browse through different categories. Another reliable platform for downloading Mcculloch Mac 410 Chainsaw Manual free PDF files is Open Library. With its vast collection of over 1 million eBooks, Open Library has something for every reader. The website offers a seamless experience by providing options to borrow or download PDF files. Users simply need to create a free account to access this treasure trove of knowledge. Open Library also allows users to contribute by uploading and sharing their own PDF files, making it a collaborative platform for book enthusiasts. For those interested in academic resources, there are websites dedicated to providing free PDFs of research papers and scientific articles. One such website is Academia.edu, which allows researchers and scholars to share their work with a global audience. Users can download PDF files of research papers, theses, and dissertations covering a wide range of subjects. Academia.edu also provides a platform for discussions and networking within the academic community. When it comes to downloading Mcculloch Mac 410 Chainsaw Manual free PDF files of magazines, brochures, and catalogs, Issuu is a popular choice. This digital publishing platform hosts a vast collection of publications from around the world. Users can search for specific titles or explore various categories and genres. Issuu offers a seamless reading experience with its user-friendly interface and allows users to download PDF files for offline reading. Apart from dedicated platforms, search engines also play a crucial role in finding free PDF files. Google, for instance, has an advanced search feature that allows users to filter results by file type. By specifying the file type as "PDF," users can find websites that offer free PDF downloads on a specific topic. While downloading Mcculloch Mac 410 Chainsaw Manual free PDF files is convenient, its important to note that copyright laws must be respected. Always ensure that the PDF files you download are

legally available for free. Many authors and publishers voluntarily provide free PDF versions of their work, but its essential to be cautious and verify the authenticity of the source before downloading Mcculloch Mac 410 Chainsaw Manual. In conclusion, the internet offers numerous platforms and websites that allow users to download free PDF files legally. Whether its classic literature, research papers, or magazines, there is something for everyone. The platforms mentioned in this article, such as Project Gutenberg, Open Library, Academia.edu, and Issuu, provide access to a vast collection of PDF files. However, users should always be cautious and verify the legality of the source before downloading Mcculloch Mac 410 Chainsaw Manual any PDF files. With these platforms, the world of PDF downloads is just a click away.

FAQs About Mcculloch Mac 410 Chainsaw Manual Books

How do I know which eBook platform is the best for me? Finding the best eBook platform depends on your reading preferences and device compatibility. Research different platforms, read user reviews, and explore their features before making a choice. Are free eBooks of good quality? Yes, many reputable platforms offer high-quality free eBooks, including classics and public domain works. However, make sure to verify the source to ensure the eBook credibility. Can I read eBooks without an eReader? Absolutely! Most eBook platforms offer web-based readers or mobile apps that allow you to read eBooks on your computer, tablet, or smartphone. How do I avoid digital eye strain while reading eBooks? To prevent digital eye strain, take regular breaks, adjust the font size and background color, and ensure proper lighting while reading eBooks. What the advantage of interactive eBooks? Interactive eBooks incorporate multimedia elements, quizzes, and activities, enhancing the reader engagement and providing a more immersive learning experience. Mcculloch Mac 410 Chainsaw Manual is one of the best book in our library for free trial. We provide copy of Mcculloch Mac 410 Chainsaw Manual in digital format, so the resources that you find are reliable. There are also many Ebooks of related with Mcculloch Mac 410 Chainsaw Manual. Where to download Mcculloch Mac 410 Chainsaw Manual online for free? Are you looking for Mcculloch Mac 410 Chainsaw Manual PDF? This is definitely going to save you time and cash in something you should think about.

Find Mcculloch Mac 410 Chainsaw Manual :

how to take out corsa radio

how to start a mobile auto repair business

hp 1020 fax machine manual

[how to write a procedure manual template](#)

[how to use this automatic transmission repair manual](#)

[how to upgrade itunes on my iphone 4s bildung auf](#)

how to write a reflection paper

how to write a timeline report

how to test internet speed

how to tell if fuel filter is bad

[hp 20disassembly guide](#)

hp 2524 switch manual

hp 1040 fax owners manual

[how to sleep better](#)

hp 2015 user manual

Mcculloch Mac 410 Chainsaw Manual :

house rules in rooming accommodation fact sheet residential - Feb 14 2023

web different rules for rooming houses some of the rules that are different in rooming houses include how rent can be increased and decreased repairs minimum standards

rooming house wikipedia - Feb 02 2022

web an important element in keeping the property in good shape is the undergraduates conduct while in the facility the following is a list of sample house rules all members are

[free roommate agreement template 2023 pdf](#) - Mar 15 2023

web fact sheet house rules the residential tenancies and rooming accommodation act 2008 the act allows providers to make house rules for use in rooming

[house rules in rooming accommodation fact sheet](#) - Jul 19 2023

web oct 15 2021 making it a house rule allows you to specify the day rent s due typically the first of the month as well as the consequences for paying late it also enables you to

[8 house rules every landlord should explain to tenants](#) - Apr 04 2022

web a rooming house also called a multi tenant house is a dwelling with multiple rooms rented out individually in which the tenants share kitchen and often bathroom facilities

[rooming house rental agreements consumer affairs](#) - Dec 12 2022

web what are some of the rules and regulations around managing a rooming house in victoria rooming house operators must

comply with minimum standards set out in the
rooming house definition meaning merriam webster - Oct 30 2021

15 basic house rules to include in any rental agreement - Jun 18 2023

web the standards include the minimum size of a bedroom in a rooming house must not have a floor area of less than 7 5m2 if the bedroom is to accommodate a resident or residents

house rules in rooming accommodation residential - Sep 21 2023

web there are 2 types of house rules prescribed applies to all rooming accommodation in queensland and rules made by the property manager owner prescribed tenant and guest behaviour tenants and their guests must not interfere with the reasonable peace

sample house rules phigam org - Nov 30 2021

fillable online sample rooming house rules pdf filler - Mar 03 2022

web jun 15 2022 renting out a room in your house can be a great experience and a great way to make some extra cash as long as you take the time to do it right work through the

minimum standards in rooming house accommodation - May 17 2023

web oct 17 2023 how to write a roommate agreement these instructions provide a basic guide for filling out the provided sample roommate agreement i introduction 1

tenant house rules and regulations short - May 05 2022

web sample rooming house rules pdf download here boarding house tenancy agreement template

sample house rules actual rules may vary robinson - Aug 20 2023

web sample house rules actual rules may vary general this agreement is a separate incorporated addendum to the residential lease agreement between owner

13 items you absolutely must include in a roommate agreement - Jun 06 2022

web may 19 2015 details regarding late rent the first item on the docket is late rent how and when will you enforce a penalty if your tenants fail to pay you might regard the rent as

fact sheet residential tenancies authority - Jan 13 2023

web there are both prescribed rules applies to all rooming accommodation in qld and rules made by the property manager this makes the tenants aware of behavior standards of

renting out a room in your house a landlord s guide - Sep 09 2022

web sep 1 2023 contents updated september 1 2023 5min read offering a single room rental creating house rules advertising for a tenant what to include in a room rental

renting out a room in your house how to do it legally - Jan 01 2022

web rooming house noun a house where lodgings are provided for rent

the ultimate rooming house guide positive cashflow - Nov 11 2022

web establish your house rules clearly identify what the house rules and agreements are and include these as part of the rental agreement be sure to have this document signed by

13 essential roommate rules that will make your lives - Apr 16 2023

web house rules become rules about the use enjoyment control press admin of rooming accommodation such as a boarding house supporting accommodation service off

a beginners guide to rooming houses the hopkins group - Oct 10 2022

web jul 24 2023 top 15 essential house rules for renters below we have provided a list of the 15 most essential house rules for every landlord to consider including in their lease

house rules for renters the top 15 essential rules doorloop - Aug 08 2022

web sep 12 2023 there could be some overlap when it comes to ground rules but a roommate agreement mostly hones in on roommate space only pro tip sample letter

understanding a room rental agreement legalzoom - Jul 07 2022

web i general policy guest remaining overnight on the premises more than consecutive days shall be conclusively deemed an unapproved subtenant under the rental

machiavel le prince résumé chapitre par chapitre - Sep 09 2023

web le prince est un guide rédigé par machiavel au début de xvie siècle il montre comment devenir prince et le rester dans les faits l ouvrage ne prodiguait pas des conseils moraux et proposait même parfois d avoir recours à des stratagèmes contraires à un bon comportement d où le terme de machiavélique chapitre 1

le prince de nicolas machiavel analyse de l œuvre - Feb 02 2023

web jul 5 2022 décryptez le prince de nicolas machiavel avec l analyse du petitlitteraire fr que faut il retenir de le prince le traité politique le plus débattu au fil des siècles retrouvez tout ce que vous devez savoir sur ce grand classique dans une analyse complète et détaillée

le prince de nicolas machiavel analyse de l a uvr full pdf - Aug 28 2022

web hachettebnf fr gallica bnf fr ark 12148 bpt6k5602666w nicolas machiavel le prince jan 07 2021 edition ultime avec biographie détaillée de l auteur nicolas machiavel en fin d ouvrage le prince de nicolas machiavel en version française ce

texte original en format poche va vous faire voyager et réfléchir en même temps

le prince de nicolas machiavel analyse de l à uvre comprendre la - Feb 19 2022

web chapitre 17 et fr le prince machiavel nicolas livres le prince analyse des thmes etudier mythes et antimythes le prince nicolas machiavel le prince de machiavel devoir de philosophie lepetitlitteraire fr le prince nicolas machiavel nicolas machiavel auteur de le prince babelio machiavel mentale de tte sur les vertus du prince

le prince de nicolas machiavel analyse de l a uvr copy - Mar 03 2023

web le prince de nicolas machiavel analyse de l a uvr antimachiavel examen du prince de machiavel avec des notes historiques politiques by frederick ii king of prussia edited by voltaire with a n amelot de la houssaye s translation of il principe and his prefatory material oct 21 2022 le prince de nicolas machiavel fiche de

le prince de nicolas machiavel analyse de l à uvre comprendre la - Apr 23 2022

web jun 15 2023 décryptez le prince de nicolas machiavel avec l analyse du petitlitteraire fr que faut il retenir de le prince le traité politique le plus débattu au fil des siècles retrouvez tout ce que vous devez savoir sur ce grand classique dans une analyse complète et détaillée vous trouverez notamment dans cette

le prince de nicolas machiavel analyse de l à uvre comprendre la - Jun 25 2022

web jun 13 2023 le prince de machiavel fiche de lecture le prince nicolas de machiavel analyse livre trait les classiques du matrialisme dialectique nicolas le prince machiavel analyse par chapitres corriges du baccalaurat philosophie le prince machiavel machiavel ts fiche auteur philosophie kartable le prince de nicolas

le prince nicolas de machiavel analyse livre traité politique - Oct 30 2022

web dec 18 2018 qui est machiavel comment a t il abordé son traité politique le prince découvrez l analyse du livre les notions importantes et ses inspirations

le prince de nicolas machiavel analyse de l a uvr - Mar 23 2022

web le prince de nicolas machiavel analyse de l a uvr le prince de nicolas machiavel fiche de lecture jun 23 2023 décryptez le prince de nicolas machiavel avec l analyse du petitlitteraire fr que faut il retenir de le prince le traité politique hors du commun retrouvez tout ce que vous devez savoir sur cette œuvre dans une fiche de

le prince de nicolas machiavel analyse de l à uvre comprendre la - Sep 28 2022

web corrig bac s philo 2016 le prince machiavel major bac fiche de lecture machiavel le prince chapitre 17 et le prince nicolas de machiavel analyse livre trait le prince machiavel analyse par chapitres le prince analyse des thmes etudier laurent de médicis qui est d établir et de conserver l ordre au sein de l État le prince nicolas

fiche sur le prince de machiavel résumé analyse et commentaire - Oct 10 2023

web culture générale affichages 52910 l homme nicolas machiavel 1469 1527 homme politique italien nicolas machiavel

occupe des fonctions de secrétaire au sein de la seconde chancellerie de florence il accomplit plusieurs missions diplomatiques notamment auprès de césar borgia

cnam lirsa laboratoire interdisciplinaire de recherches en - May 05 2023

web we would like to show you a description here but the site won t allow us

le prince de nicolas machiavel analyse de l a uvr 2023 - Nov 30 2022

web le prince de nicolas machiavel analyse de l a uvr le prince jul 07 2022 ce traité politique écrit alors que l italie est divisée en multiples principautés nous expose l art et la manière de gouverner en jouant habilement des humeurs antagonistes du peuple et des grands au moyen d une politique sachant faire usage aussi bien des lois

pdf le prince de nicolas machiavel analyse de l a uvr - Aug 08 2023

web le prince de nicolas machiavel analyse de l a uvr solitude de machiavel mar 19 2021 solitude de machiavel et autres textes rassemble l essentiel des principaux articles qu althusser a publiés de son vivant cette édition critique marque un nouveau moment dans la redécouverte d un auteur qui passa de la célébrité au

le prince de nicolas machiavel analyse de l à uvre comprendre la - Jun 06 2023

web nicolas machiavel site officiel de l acadmie de grenoble le prince de machiavel fiche lecture le prince de machiavel le prince nicolas de machiavel analyse livre trait machiavelli the prince de dicto 11 achat machiavel prince pas cher ou d occasion rakuten le prince de machiavel devoir de philosophie le prince nicolas machiavel

nicolas machiavel le prince résumé analyse - Apr 04 2023

web jan 17 2022 le prince véritable traité sur l art de la politique a un modèle historique césar borgia machiavel y loue les actions qu il a pu entreprendre pour établir un pouvoir politique fort en romagne borgia n a reculé devant aucun moyen pour parvenir à ses fins que ce soit la force la ruse la violence la politique pense machiavel a

le prince de nicolas machiavel analyse de l à uvre comprendre la - May 25 2022

web jun 21 2023 le prince de nicolas machiavel analyse de l à uvre comprendre la littérature avec lepetitlitteraire fr fiche de lecture by nathalie roland les classiques du matrialisme dialectique nicolas machiavelli the prince de dicto 11 fiche de lecture machiavel le prince chapitre 17 et machiavel le monde politique

le prince de nicolas machiavel analyse de l a uvr - Jul 27 2022

web le prince de nicolas machiavel analyse de l a uvr publications in operations research jan 28 2020 trait d analyse des matires agricoles oct 31 2022 the oecd stan database for industrial analysis jun 07 2023 in english and french bulletin de l institut international de statistique may 26 2022

le prince nicolas machiavel analyse du livre lepetitlitteraire fr - Jul 07 2023

web dans cette fiche de cours c est au tour du célèbre traité politique le prince de machiavel d être analysé en profondeur

ainsi notre spécialiste en histoire nathalie roland se penche sur les caractéristiques de l'œuvre afin de délivrer un outil de référence de qualité à destination des étudiants et des curieux

[le prince nicolas machiavel résumé complet du livre](#) - Jan 01 2023

web découvrez notre résumé et notre analyse du livre le prince de nicolas machiavel téléchargeable format pdf documents rédigés par un prof de français

[kailash montagne sacrée du tibet by coquet](#) - Nov 11 2021

web religiosus e il simbolo della montagna sacra topon 138 fantastiche immagini su mandala amp buddha nel 2020 risultati de recherche tibet peuples tibetains et materia medica tibetana scribd visioni critiche dello dzogchen nelle scuole sarma page 2 il dono 209 tibet raw ranked sites destination kailash montagne sacrée du tibet libro wook

[kailash montagne sacra c e du tibet 2022 programma syriza](#) - Feb 12 2022

web les chroniques des gardiens de la terre southern tibet kailash montagne sacra c e du tibet downloaded from programma syriza gr by guest

[kailash montagne sacra c e du tibet copy zapmap nissan co](#) - May 30 2023

web kailash montagne sacra c e du tibet downloaded from zapmap nissan co uk by guest deanna brooks geomorphology and society john wiley sons questions related to the origin and history of the basque language spark considerable interest since it is the only surviving pre indo european language in western europe however until

[kailash montagne sacra c e du tibet download only](#) - Nov 23 2022

web kailash montagne sacra c e du tibet downloaded from vps huratips com by guest sutton braedon annulosa by w e leach extracted from vol 1 of the supplement to the encyclopædia britannica john benjamins publishing 4 truth of the path leading to the annihilation of suffering cane growers quarterly bulletin pointer publishers

kailash montagne sacrée du tibet by coquet - Sep 21 2022

web il tibet è un luogo che lascia senza fiato e lo fa sotto tutti i punti di vista il giorno in cui la cima innevata del kailash sacra dimora del dio passando attraverso le montagne c era un freddo galileo banyanbotanicals com 1 5

kailash montagne sacra c e du tibet lapequecomeflor - Mar 16 2022

web kailash montagne sacra c e du tibet 3 3 demonstrated expertise in the topic within basque historical linguistics that their chapter addresses two classical articles by the late luis michelena are included in english translation in addition the book includes studies on diachronic phonology morphology and syntax the relation of basque to other

[kailash montagne sacra c e du tibet download only](#) - Aug 21 2022

web kailash montagne sacra c e du tibet 3 3 the relationship between geomorphology and society this topic has had rather scant treatment in the literature except to some extent under the label applied geomorphology in this text the authors aim to

bring together conceptual issues and case studies of how geomorphology influences society and

[kailash montagne sacra c e du tibet pdf 2023 live hubitat](#) - Apr 28 2023

web about this book kailash montagne sacra c e du tibet pdf 2023 page 5 acknowledgments page 8 about the author page 8 disclaimer page 8 1 promise basics page 9 the promise lifecycle page 17 creating new unsettled promises page 21 creating settled promises page 24 summary page 27 2 chaining promises page 28

kailash montagne sacra c e du tibet download only - Feb 24 2023

web kailash montagne sacra c e du tibet a literary masterpiece penned by way of a renowned author readers embark on a transformative journey unlocking the secrets and untapped potential embedded within each word in this evaluation we shall explore the book is core themes assess its distinct writing

mt kailash travel tibet mount kailash tour kailash mountain - Dec 25 2022

web mt kailash a great mass of black rock soaring to over 22 000 feet mt kailash has the unique distinction of being the world s most venerated holy place at the same time that it is the least visited the supremely sacred site of four religions and billions of people kailash is seen by no more than a few thousand pilgrims each year

[kailash montagne sacra c e du tibet 2022 ftp bonide](#) - Apr 16 2022

web que l on songe au panthéon romain qui valut tant de vicissitudes aux architectes d hadrien aux difficultés des bâtisseurs de la voûte de sainte sophie qui s écroula cinq ans après l entrée triomphale de justinien dans l édifice aux déboires de brunelleschi avec les

[mount kailash in ngari tibet tibet vista](#) - Aug 01 2023

web basic facts location burang county ngari prefecture of tibet autonomous region how to get there 1 overland from lhasa to mount kailash 2 overland from kathmandu to mount kailash via gyirong border 3 travel from kashgar to mount kailash by road best time to visit may to june and september to october

mont kailash wikipédia - Oct 03 2023

web le mont kailash se situe à l ouest de la région autonome du tibet dans la préfecture de ngari en chine il fait partie de la chaîne du transhimalaya son altitude est souvent donnée comme 6 714 mètres mais des études récentes ont montré qu il culmine à

kailash montagne sacrée du tibet by coquet store sbtexas - Jan 14 2022

web jun 12 2023 kailash montagne sacrée du tibet by coquet thats something that will lead you to cognize even more in the territory of the earth wisdom particular spots previous period pleasure and a lot more

[kailash montagne sacrée du tibet by coquet rc miit edu](#) - May 18 2022

web plainly put the kailash montagne sacrée du tibet by coquet is universally consistent with any devices to browse you could

swiftly download this kailash montagne sacrée du tibet by coquet after acquiring offer read the kailash montagne sacrée du tibet by coquet join that we have the funding for here and check out the link

[kailash montagne sacrée du tibet by coquet rc miit edu](#) - Jun 18 2022

web jun 16 2023 kailash montagne sacrée du tibet by coquet that you are looking for you might not be confused to enjoy every book archives kailash montagne sacrée du tibet by coquet that we will certainly offer you could buy guide kailash montagne sacrée du tibet by coquet or get it as soon as workable

[kailash montagne sacra c e du tibet full pdf cms tonpetitlook](#) - Sep 02 2023

web les chroniques des gardiens de la terre kailash montagne sacra c e du tibet downloaded from cms tonpetitlook com by guest walsh Chavez scorciatoia per il nirvana avalon travel pub this work documents the restoration of qal at sem an by georges tchalenko in the mid twentieth century it is published for the first time with explanatory

kailash montagne sacrée du tibet by coquet - Jul 20 2022

web cui la cima innevata del kailash sacra dimora del dio passando attraverso le montagne c era un freddo intenso e la neve inciava ad imbiancare qua e là l altipiano che si distendeva fino a raggiungere i piedi della catena himalayana

[kailash montagne sacra c e du tibet pdf zapmap nissan co](#) - Oct 23 2022

web kailash montagne sacra c e du tibet that winter art in the city after school nightmare joba and the wild boar duty and desire book club edition pilgrimage 25 norwegian folk songs and dances op 17 for solo piano jesus lived in india arthur ashe s tennis clinic the third dimension scorciatoia per il nirvana global biodiversity postmodern traces

[kailash montagne sacra c e du tibet pqr uiaf gov co](#) - Dec 13 2021

web recognizing the pretentiousness ways to get this book kailash montagne sacra c e du tibet is additionally useful you have remained in right site to start getting this info get the kailash montagne sacra c e du tibet join that we offer here and check out the link you could purchase lead kailash montagne sacra c e du tibet or acquire it as

kailash montagne sacra c e du tibet pdf neurocme med ucla - Jan 26 2023

web as this kailash montagne sacra c e du tibet it ends up physical one of the favored books kailash montagne sacra c e du tibet collections that we have this is why you remain in the best website to look the incredible ebook to have kailash montagne sacra c e du tibet downloaded from neurocme med ucla edu by guest alijah atkinson

kailash montagne sacra c e du tibet pdf - Mar 28 2023

web southern tibet nonsense songs the songs that came out wrong from alice in wonderland towards a history of the basque language kailash montagne sacra c e du tibet downloaded from ce nationalnursesunited org by guest cassidy alexzander 25 norwegian folk songs and dances op 17 for solo piano john wiley sons

[kailash montagne sacra c e du tibet 2023 store spiralny](#) - Jun 30 2023

web 2 kailash montagne sacra c e du tibet 2023 09 05 bautista kailey that winter barber press mashiro a hermaphrodite high school student joins a special dream class to become completely male but faces obstacles from other students along the way pilgrimage transit pub incorporated to uphold family honor and tradition sheetal prasad is forced