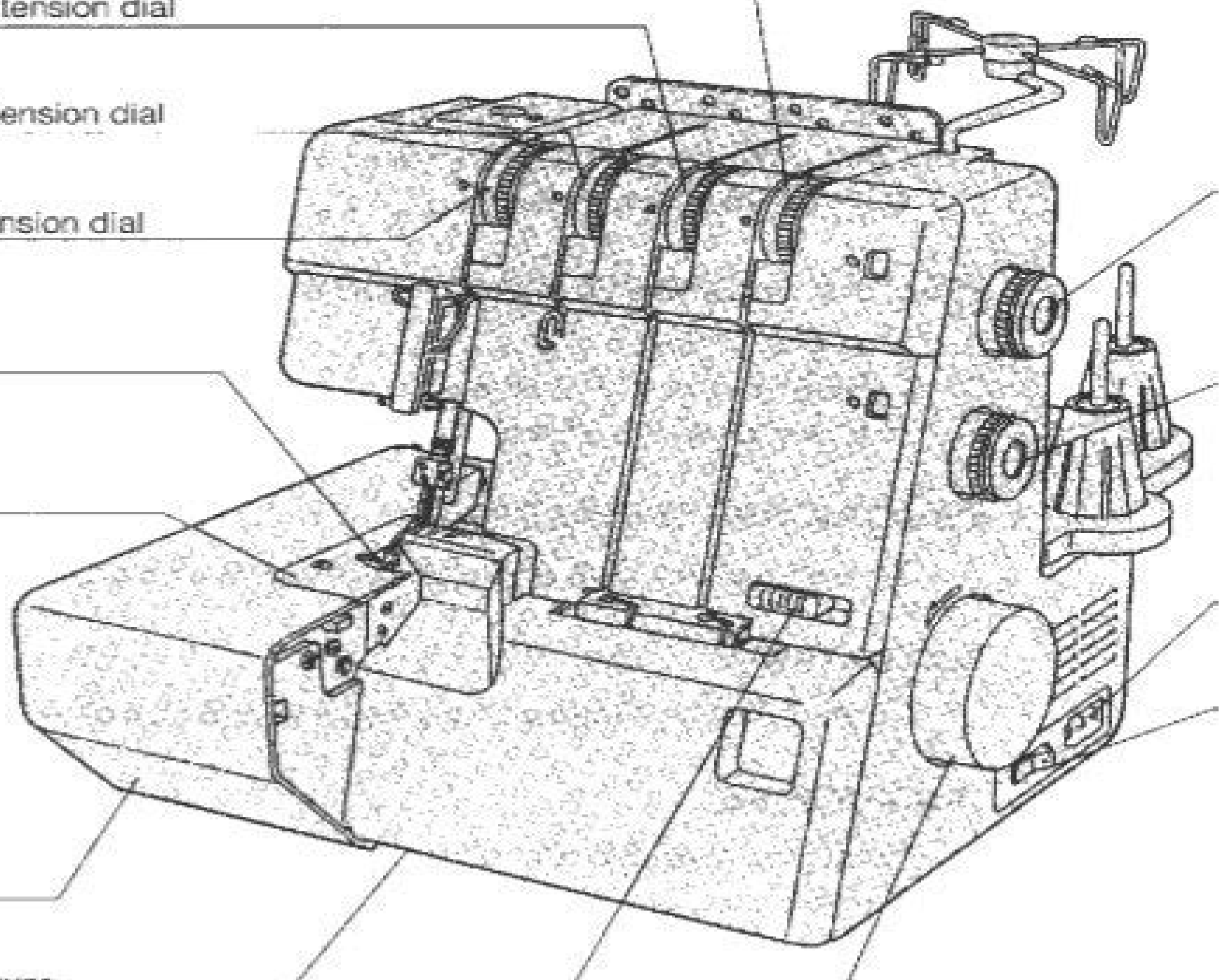


thread tension dial

thread tension dial

thread tension dial



# Manual Janome Overlocker Machine

**Michael Brown**



## **Manual Janome Overlocker Machine:**

Eventually, you will entirely discover a extra experience and success by spending more cash. still when? pull off you assume that you require to get those all needs when having significantly cash? Why dont you attempt to get something basic in the beginning? Thats something that will guide you to understand even more concerning the globe, experience, some places, taking into consideration history, amusement, and a lot more?

It is your utterly own get older to measure reviewing habit. in the middle of guides you could enjoy now is **Manual Janome Overlocker Machine** below.

[https://staging.conocer.cide.edu/public/Resources/HomePages/Inner\\_Worlds.pdf](https://staging.conocer.cide.edu/public/Resources/HomePages/Inner_Worlds.pdf)

## **Table of Contents Manual Janome Overlocker Machine**

1. Understanding the eBook Manual Janome Overlocker Machine
  - The Rise of Digital Reading Manual Janome Overlocker Machine
  - Advantages of eBooks Over Traditional Books
2. Identifying Manual Janome Overlocker Machine
  - Exploring Different Genres
  - Considering Fiction vs. Non-Fiction
  - Determining Your Reading Goals
3. Choosing the Right eBook Platform
  - Popular eBook Platforms
  - Features to Look for in an Manual Janome Overlocker Machine
  - User-Friendly Interface
4. Exploring eBook Recommendations from Manual Janome Overlocker Machine
  - Personalized Recommendations
  - Manual Janome Overlocker Machine User Reviews and Ratings
  - Manual Janome Overlocker Machine and Bestseller Lists
5. Accessing Manual Janome Overlocker Machine Free and Paid eBooks

- Manual Janome Overlocker Machine Public Domain eBooks
  - Manual Janome Overlocker Machine eBook Subscription Services
  - Manual Janome Overlocker Machine Budget-Friendly Options
6. Navigating Manual Janome Overlocker Machine eBook Formats
    - ePub, PDF, MOBI, and More
    - Manual Janome Overlocker Machine Compatibility with Devices
    - Manual Janome Overlocker Machine Enhanced eBook Features
  7. Enhancing Your Reading Experience
    - Adjustable Fonts and Text Sizes of Manual Janome Overlocker Machine
    - Highlighting and Note-Taking Manual Janome Overlocker Machine
    - Interactive Elements Manual Janome Overlocker Machine
  8. Staying Engaged with Manual Janome Overlocker Machine
    - Joining Online Reading Communities
    - Participating in Virtual Book Clubs
    - Following Authors and Publishers Manual Janome Overlocker Machine
  9. Balancing eBooks and Physical Books Manual Janome Overlocker Machine
    - Benefits of a Digital Library
    - Creating a Diverse Reading Collection Manual Janome Overlocker Machine
  10. Overcoming Reading Challenges
    - Dealing with Digital Eye Strain
    - Minimizing Distractions
    - Managing Screen Time
  11. Cultivating a Reading Routine Manual Janome Overlocker Machine
    - Setting Reading Goals Manual Janome Overlocker Machine
    - Carving Out Dedicated Reading Time
  12. Sourcing Reliable Information of Manual Janome Overlocker Machine
    - Fact-Checking eBook Content of Manual Janome Overlocker Machine
    - Distinguishing Credible Sources
  13. Promoting Lifelong Learning
    - Utilizing eBooks for Skill Development

- Exploring Educational eBooks
14. Embracing eBook Trends
- Integration of Multimedia Elements
  - Interactive and Gamified eBooks

### **Manual Janome Overlocker Machine Introduction**

Free PDF Books and Manuals for Download: Unlocking Knowledge at Your Fingertips In today's fast-paced digital age, obtaining valuable knowledge has become easier than ever. Thanks to the internet, a vast array of books and manuals are now available for free download in PDF format. Whether you are a student, professional, or simply an avid reader, this treasure trove of downloadable resources offers a wealth of information, conveniently accessible anytime, anywhere. The advent of online libraries and platforms dedicated to sharing knowledge has revolutionized the way we consume information. No longer confined to physical libraries or bookstores, readers can now access an extensive collection of digital books and manuals with just a few clicks. These resources, available in PDF, Microsoft Word, and PowerPoint formats, cater to a wide range of interests, including literature, technology, science, history, and much more. One notable platform where you can explore and download free Manual Janome Overlocker Machine PDF books and manuals is the internet's largest free library. Hosted online, this catalog compiles a vast assortment of documents, making it a veritable goldmine of knowledge. With its easy-to-use website interface and customizable PDF generator, this platform offers a user-friendly experience, allowing individuals to effortlessly navigate and access the information they seek. The availability of free PDF books and manuals on this platform demonstrates its commitment to democratizing education and empowering individuals with the tools needed to succeed in their chosen fields. It allows anyone, regardless of their background or financial limitations, to expand their horizons and gain insights from experts in various disciplines. One of the most significant advantages of downloading PDF books and manuals lies in their portability. Unlike physical copies, digital books can be stored and carried on a single device, such as a tablet or smartphone, saving valuable space and weight. This convenience makes it possible for readers to have their entire library at their fingertips, whether they are commuting, traveling, or simply enjoying a lazy afternoon at home. Additionally, digital files are easily searchable, enabling readers to locate specific information within seconds. With a few keystrokes, users can search for keywords, topics, or phrases, making research and finding relevant information a breeze. This efficiency saves time and effort, streamlining the learning process and allowing individuals to focus on extracting the information they need. Furthermore, the availability of free PDF books and manuals fosters a culture of continuous learning. By removing financial barriers, more people can access educational resources and pursue lifelong learning, contributing to personal growth and professional development. This democratization of knowledge promotes intellectual curiosity and

empowers individuals to become lifelong learners, promoting progress and innovation in various fields. It is worth noting that while accessing free Manual Janome Overlocker Machine PDF books and manuals is convenient and cost-effective, it is vital to respect copyright laws and intellectual property rights. Platforms offering free downloads often operate within legal boundaries, ensuring that the materials they provide are either in the public domain or authorized for distribution. By adhering to copyright laws, users can enjoy the benefits of free access to knowledge while supporting the authors and publishers who make these resources available. In conclusion, the availability of Manual Janome Overlocker Machine free PDF books and manuals for download has revolutionized the way we access and consume knowledge. With just a few clicks, individuals can explore a vast collection of resources across different disciplines, all free of charge. This accessibility empowers individuals to become lifelong learners, contributing to personal growth, professional development, and the advancement of society as a whole. So why not unlock a world of knowledge today? Start exploring the vast sea of free PDF books and manuals waiting to be discovered right at your fingertips.

### FAQs About Manual Janome Overlocker Machine Books

**What is a Manual Janome Overlocker Machine PDF?** A PDF (Portable Document Format) is a file format developed by Adobe that preserves the layout and formatting of a document, regardless of the software, hardware, or operating system used to view or print it. **How do I create a Manual Janome Overlocker Machine PDF?** There are several ways to create a PDF: Use software like Adobe Acrobat, Microsoft Word, or Google Docs, which often have built-in PDF creation tools. Print to PDF: Many applications and operating systems have a "Print to PDF" option that allows you to save a document as a PDF file instead of printing it on paper. Online converters: There are various online tools that can convert different file types to PDF. **How do I edit a Manual Janome Overlocker Machine PDF?** Editing a PDF can be done with software like Adobe Acrobat, which allows direct editing of text, images, and other elements within the PDF. Some free tools, like PDFescape or Smallpdf, also offer basic editing capabilities. **How do I convert a Manual Janome Overlocker Machine PDF to another file format?** There are multiple ways to convert a PDF to another format: Use online converters like Smallpdf, Zamzar, or Adobe Acrobat's export feature to convert PDFs to formats like Word, Excel, JPEG, etc. Software like Adobe Acrobat, Microsoft Word, or other PDF editors may have options to export or save PDFs in different formats. **How do I password-protect a Manual Janome Overlocker Machine PDF?** Most PDF editing software allows you to add password protection. In Adobe Acrobat, for instance, you can go to "File" -> "Properties" -> "Security" to set a password to restrict access or editing capabilities. Are there any free alternatives to Adobe Acrobat for working with PDFs? Yes, there are many free alternatives for working with PDFs, such as: LibreOffice: Offers PDF editing features. PDFsam: Allows splitting, merging, and editing

PDFs. Foxit Reader: Provides basic PDF viewing and editing capabilities. How do I compress a PDF file? You can use online tools like Smallpdf, ILovePDF, or desktop software like Adobe Acrobat to compress PDF files without significant quality loss. Compression reduces the file size, making it easier to share and download. Can I fill out forms in a PDF file? Yes, most PDF viewers/editors like Adobe Acrobat, Preview (on Mac), or various online tools allow you to fill out forms in PDF files by selecting text fields and entering information. Are there any restrictions when working with PDFs? Some PDFs might have restrictions set by their creator, such as password protection, editing restrictions, or print restrictions. Breaking these restrictions might require specific software or tools, which may or may not be legal depending on the circumstances and local laws.

### **Find Manual Janome Overlocker Machine :**

#### **inner worlds**

~~inoperative community~~

#### **inland voyage and other stories**

ingles practicar

~~ingenuity gap~~

~~inside foreign aid~~

#### **innkeepers tales**

~~inner sanctum mysteries beyond the creaking door~~

#### **ingenuity gap how can we solve the problems of the future**

#### **inquire within implementing inquiry-based science standards**

*inside rikers stories from the worlds largest penal colony*

#### **inner game of work**

#### **insect watching usborne nature trail**

inland island

inquiry in social studies

### **Manual Janome Overlocker Machine :**

**atec mitutoyo sj 201p manual page 6 manualsdir com** - Jun 07 2022

web user s manual for sj 201p 99mbb081a one sheet manual 526688 ac adapter optional accessories 178 391 detector for



soft materials stylus tip radius 10µm 178 392 small hole detector ø4 5mm 178 393 small hole detector ø2 8mm 178 394 deep groove detector 178 395 detector for low pressure type stylus tip radius 2µm

**portable surface roughness tester surfstest sj 210 series mitutoyo** - Jun 19 2023

web the surfstest sj 210 is a user friendly surface roughness measurement instrument designed as a handheld tool that can be carried with you and used on site easy rz rz to use rz 2 4 inch color graphic lcd with backlight the color lcd provides excellent readability and an intuitive display that s easy to navigate

**mitutoyo sj 201p manual pdf pdf surface roughness scribd** - Feb 15 2023

web mitutoyo sj 201p manual pdf pdf surface roughness electrical engineering mitutoyo sj 201p manual pdf free ebook download as pdf file pdf text file txt or read book online for free scribd is the world s largest social reading and publishing site

**surfstest sj 210 sj 310** - Dec 13 2022

web features the 2 4 inch color graphic lcd provides excellent readability and an intuitive display that is easy to use the lcd also includes a backlight for improved visibility in dark environments the surfstest sj 210 can be easily operated using the buttons on the front of the unit and under the sliding cover

brütsch rüegger mitutoyo surfstest sj 201p manual - Apr 17 2023

web view and download Brütsch Rüegger Mitutoyo SurfStest SJ 201P Manual Online Surface Roughness Tester Mitutoyo SurfStest SJ 201P Test Equipment Pdf Manual Download also for 148 460

**mitutoyo surface roughness tester sj 201 manual** - Feb 03 2022

web mitutoyo surface roughness tester sj 201 manual large characters are displayed on the large easy to watch lcd portable for easy installation needed everywhere the trasher drive unit can be detached from the display unit for effortless metling of uncomfortably oriented workpieces wide 350µm 200µm to 150µm using range

surface measurement surfstest sj 201 sj 301 - Mar 16 2023

web surfstest sj 201 sj 301 pre 1211 3 portable surface testers the smart solution for the workshop the sj 201 complies with gps standardisation for surface quality easy to read large character display portable for easy use wherever you need to measure drive unit can be detached from the display unit for easy measurement

*no 99mbb079a5 series no 178 sj 201 cole parmer* - Aug 21 2023

web to obtain the highest performance from this instrument and to use it safely read this user s manual prior to use this user s manual is intended for users of surface roughness testers sj 201p and sj 201r sj 201p is used in almost all descriptions of this user s manual if using model sj 201r

mitutoyo sj 201 user manual pdf book keg - Jan 02 2022

web mar 30 2022 our updated version of mitutoyo sj 201 user manual has all the information that you need and you will be satisfied reading all about mitutoyo sj 201 user manual mitutoyo sj 201 user manual pdf download we are pleased to offer you this book about mitutoyo sj 201 user manual this book is here to help you if you want to learn more

[brütsch rüegger mitutoyo surfstest sj 201p manuals](#) - Sep 10 2022

web manuals and user guides for Brütsch Rüegger Mitutoyo SurfStest SJ 201P we have 1 Brütsch Rüegger Mitutoyo SurfStest SJ 201P manual available for free pdf download manual

[surfstest sj 210 series mitutoyo](#) - May 18 2023

web download the surfstest sj 210 series is a portable user friendly surface roughness measurement instrument designed as a handheld tool for taking accurate on site measurements

*mitutoyo sj 201 surface finish equipment* - Jul 08 2022

web sj 201 series large characters are displayed on the large easy to view lcd portable for easy measurement anywhere necessary the detector drive unit can be detached from the display unit for effortless measurement of awkwardly oriented workpieces wide 350µm 200µm to 150µm measurement range

**portable surface roughness tester surfstest sj 210 310 series mitutoyo** - Nov 12 2022

web surfstest sj 210 also complies with ansi and vda standards battery the battery charges in one quarter of the time of previous mitutoyo products the drive unit can be separated from the display unit by using a cable allowing more flexible measurement the driver can be separated and reattached in one simple step

*form measurement surfstest sj 400 mitutoyo* - Mar 04 2022

web surfstest sj 400 portable surface roughness tester bulletin no 2013 2 3 requirement1 requirement2 requirement3 for free from the mitutoyo website user s manual one sheet manual tools inch metric 10 11 standard stylus for small hole

**mitutoyo sj 301 user manual pdf download manualslib** - May 06 2022

web to obtain the highest performance from this instrument and to use it safely read this user s manual prior to use this user s manual is intended for users of surface roughness testers sj 301 and sj 301r sj 301 is used in almost all descriptions of this user s manual

[test equipment rentals sales calibration atec](#) - Jan 14 2023

web the surfstest sj 201p is a portable surface roughness tester that can measure various parameters and display them on a large lcd screen this manual provides detailed instructions on how to operate maintain and calibrate the device as well as troubleshooting tips and specifications

*mitutoyo user manuals download manualslib* - Apr 05 2022

web view download of more than 543 mitutoyo pdf user manuals service manuals operating guides measuring instruments

scales user manuals operating guides specifications

[sj 201 pdf surface roughness calibration scribd](#) - Aug 09 2022

web the smart solution for the workshop the sj 201 transverse tracing s drive unit for sj 201 301

**atec mitutoyo sj 201p manual page 2 manualsdirect.com** - Oct 11 2022

web sj 201p portable surface roughness tester a dedicated carrying case is included for safe transport a precision roughness specimen is supplied a hard copy of the measurement data is available with the optional printer 64aaa779 surfest sj 201p

**portable surface roughness tester surfest sj 201p** - Jul 20 2023

web the sj 201p is provided with functions to output spc data and communicate with external devices via the rs 232c

interface a dedicated carrying case is included for safe transport a precision roughness specimen is supplied a hard copy of the measurement data is available with the optional printer 64aaa779

**all writings of allama iqbal rekhta** - Jun 18 2023

web allama iqbal collection of poetry ghazal nazm in urdu hindi english read more about allama iqbal and access their famous audio video and ebooks

[allama iqbal selected poetry google books](#) - Mar 15 2023

web sir muhammad iqbal new dawn press 2006 literary criticism 389 pages serving as an introduction to the works influence and legacy of the muslim philosopher poet allama muhammad

[translation of some verses from bang e dara by dr allama iqbal](#) - Jun 06 2022

web jan 1 2016 translation of some verses from bang e dara by dr allama iqbal to english language january 2016 authors abdul bari khan university malaysia sarawak hafiza sana mansoor abstract

**allama iqbal poetry apps on google play** - May 05 2022

web aug 7 2018 complete collection of urdu and persian poetry of dr allama muhammad iqbal with urdu and english translation and audios 11 books 1263 poems 12000 verses 600 mp3 songs and

[english translations international iqbal society allama iqbal](#) - Sep 21 2023

web allama sir muhammad iqbal was a poet philosopher and politician born in sialkot british india now in pakistan whose poetry in urdu and persian is considered to be among the greatest of the modern era and whose vision of an independent state for the muslims of british india was to inspire the creation of pakistan

**allama iqbal poetry in english translation with beautiful images** - Oct 22 2023

web allama iqbal poetry in english with urdu explanation allama iqbal poetry in english translation sher ki tashrih allama iqbal is sher mein logon ko mukhtib ker ke fermaty hain kh allah apny bandon ko fermata hain tu meri taraf aa ker tu dekh apni jabiny niaz meri bargah mein juka ker to dekh teri tamam mushkilat khatam na ker de to kena

**allama iqbal shikwa english explanation by peyaam** - Aug 08 2022

web shikwa allama iqbal nusrat fateh aziz mian sabri brothers and more what is shikwa although shikwa the complaint may not be allama iqbal s most sophisticated piece of poetry its unrestrained passion has undoubtedly made it one of his most famous shikwa is a complaint from man to god

**the secrets of the self international iqbal society allama iqbal** - Feb 14 2023

web nov 17 2011 allama sir muhammad iqbal was a poet philosopher and politician born in sialkot british india now in pakistan whose poetry in urdu and persian is considered to be among the greatest of the modern era and whose vision of an independent state for the muslims of british india was to inspire the creation of pakistan

*allama iqbal selected poetry google books* - Jan 13 2023

web new dawn press 2006 literary criticism 389 pages this anthology contains a selection of 100 patriotic poems drawn from the works of 40 poets including such reputed names as mir ghalib

allama iqbal english translations of persian poetry and urdu poetry - May 17 2023

web the hypertexts allama iqbal modern english translations of persian poetry and urdu poetry these are my modern english translations of poems by sir muhammad iqbal اقبال المعروف باسمه اللامع اقبال المعروف باسمه اللامع with allāma meaning the learned one

**muhammed iqbal poems by the famous poet all poetry** - Dec 12 2022

web ahead of the stars first date tree saeeded by abdul rahman the firs i desire jawab e shikwa response to the complaint madness of love is no more masjid e qartabaa with english translation mirza ghalib mu tamid s lament in prison naya shivala with english translation pathos of love said the coal to a diamond

**persian poetry international iqbal society allama iqbal** - Jul 07 2022

web nov 9 2011 allama sir muhammad iqbal was a poet philosopher and politician born in sialkot british india now in pakistan whose poetry in urdu and persian is considered to be among the greatest of the modern era and whose vision of an independent state for the muslims of british india was to inspire the creation of pakistan he is commonly referred

*pdf allama iqbal poetry english translation* - Mar 03 2022

web poetry fiction plays biographies children s books and screenplays published by new humanity books amazon com author smithpa the other world mar 29 2023 the other world is the poem translation of javed nama persian poem by sir dr muhammad iqbal the philosopher poet of the east iqbal s magnum opus

*five simple yet powerful lessons from allama iqbal s poetry* - Apr 04 2022

web nov 9 2018 on dreaming big iqbal always called on the youth to aspire for greatness always comparing them to a fearless soaring eagle that knows no bounds this famous verse from his iqbal s ghazal sitaron se agay has inspired

generations of young people and continues to do so still iqbal urges the youth to aspire for bigger and unseen possibilities  
**allama iqbal shikwa english translation iqbal poetry english** - Oct 10 2022

web allama muhammad iqbal wrote many fabulous poems but shikwa is my favorite one this is english translation of allama iqbal s poem shikwa complaint

[allama iqbal poetry english translation](#) - Aug 20 2023

web then it is to be needed to translate the poetry of iqbal in different languages n mey shiml translated his poetry in german language many people translated his poetry form persian to urdu and punjabi persian to english and urdu to english here is the list of his poetry that has been translated in english

[dr iqbal s poetry in english translation](#) - Jul 19 2023

web i have the privilege of presenting the english translation of his selected poetry and hope that allama s poetic lovers around the globe will reward it dr mohammed iqbal 7 the himalayas o himalah o rampart of the realm of india

[allama mohammad iqbal all urdu poems in english translation](#) - Sep 09 2022

web urdu kuliyaat of allama muhammad iqbal with meaning of difficult words and explanation

[works of allama iqbal international iqbal society allama iqbal](#) - Nov 11 2022

web jul 7 2011 allama sir muhammad iqbal was a poet philosopher and politician born in sialkot british india now in pakistan whose poetry in urdu and persian is considered to be among the greatest of the modern era and whose vision of an independent state for the muslims of british india was to inspire the creation of pakistan he is commonly referred

[allama mohammad iqbal all persian poems in english translation](#) - Apr 16 2023

web allama mohammad iqbal all persian poems in english translation the secrets of the self prologue showing that the system of the universe originates in the self and that the continuation of the life of all individuals depends on strengthening the self showing that the life of the self comes from forming desires and bringing them to birth

**kosovo born director fisnik maxville on the night shoots and** - Feb 14 2022

web nov 2 2023 director martin scorsese s new movie killers of the flower moon tells the true story of a string of murders on the osage nation s land in oklahoma in the 1920s

**look ohio state buckeyes release stylish new all gray** - Dec 15 2021

web sep 17 2019 even more complicating a renegade wolf has been haunting the bighorn mountains and the townspeople are out for blood with both a wolf and a killer on the

*land of wolves free audibook written by craig johnson fiction* - Jun 20 2022

web jan 10 2022 ncis los angeles season 13 episode 8 review a land of wolves dale mcgarrigle at january 10 2022 12 39 am well at least we found out what kensi has

*land of wolves by craig johnson publishers weekly* - Nov 25 2022

web land of wolves is a longmire mystery by craig johnson he is a writer from wyoming and the author of multiple novels in the walt longmire mystery series land of wolves

**land of wolves on apple books** - Feb 26 2023

web land of wolves craig johnson viking 28 336p isbn 978 0 525 52250 8 bestseller johnson s solid 15th walt longmire novel finds the laconic sheriff back home in

*land of wolves walt longmire series 15 paperback* - Mar 30 2023

web the new novel in craig johnson s beloved new york times bestselling longmire series attempting to recover from his harrowing experiences in mexico in land of wolves

**book review land of wolves by craig johnson** - Jan 28 2023

web the new novel in craig johnson s beloved new york times best selling longmire series attempting to recover from his harrowing experiences in mexico in land of wolves

land of wolves craig johnson google books - Dec 27 2022

web land of wolves is the fifteenth novel of craig johnson s longmire series it was first published in 2019 recovering from his harrowing experiences in mexico sheriff walt

*first look land of wolves feature film youtube* - May 20 2022

web oct 27 2023 originally from kosovo and now living in switzerland first time feature filmmaker fisnik maxville wrote and directed the land within after making a series of

wolf of the north location in genshin impact gamer journalist - Oct 13 2021

**land of wolves a longmire mystery walt longmire mysteries** - Sep 11 2021

land of wolves walt longmire 15 by craig - Oct 05 2023

web sep 17 2019 recovering from his harrowing experiences in mexico sheriff walt longmire returns to absaroka county wyoming to lick his wounds and try once again to maintain

**land of wolves kirkus reviews** - Jul 02 2023

web sep 19 2019 land of wolves a suspenseful instalment of the best selling award winning series now a hit netflix show craig johnson orion sep 19 2019 fiction 320 pages

**land of wolves a longmire mystery amazon com** - Aug 11 2021

*land of wolves longmire mysteries book 15 amazon com* - Oct 25 2022

web get more from invi wright on patreon

*land of wolves western series wiki fandom* - Sep 23 2022

web may 12 2021 download and continue play audio on the mobile app land of wolves is a fiction novel it is written by craig johnson it is from the new york times best selling

**land of wolves by craig johnson 9780525522522** - Sep 04 2023

web sep 17 2019 land of wolves by craig johnson release date sept 17 2019 sheriff longmire untangles a nasty family snarl back from mexico where his war

**land of wolves google books** - Apr 30 2023

web sep 17 2019 all this gives land of wolves a melancholy vibe that makes us wonder if craig johnson is plotting out the end of his hero s run publishers weekly jun 3

**land of wolves craig johnson** - Aug 23 2022

web mar 14 2023 oil greed murder land of wolves is the latest upcoming thriller and feature film from bullet catch films releasing for free exclusively on youtube subscr

[land of wolves a longmire mystery craig johnson google](#) - Jun 01 2023

web aug 4 2020 overview the new novel in craig johnson s beloved new york timesbestselling longmire series it s the scenery and the big guy standing in front of

*land of wolves a longmire mystery amazon com* - Aug 03 2023

web sep 17 2019 even more complicating a renegade wolf has been haunting the bighorn mountains and the townspeople are out for blood with both a wolf and a killer on the

**land of wolves imdb** - Apr 18 2022

web the bbc one documentary showed how the red coloured wolves have lost half of their habitat to farmers who burn the land to grow crops among these wolves other

*heartbreak as adorable planet earth iii wolf and two pups drown* - Jan 16 2022

web oct 7 2020 the wolf of the north or lupus boreas dominator of wolves is located southwest of mondstadt between dawn winery and wolvendom you can start the fight

**killers of the flower moon is just one chapter in a syracuse** - Nov 13 2021

web aug 4 2020 as land of the wolves 15 2018 opens an exhausted bullet ridden knife wounded and depressed sheriff walter longmire is faced with a fresh murder on his

*land of wolves complete collection from invi wright patreon* - Jul 22 2022

web 1h 30m drama add a plot in your language director raul urreola writers antonio salinas raul urreola stars leeanne bauer luke depron teresa suarez grosso see production

*ncis los angeles season 13 episode 8 review a land of wolves* - Mar 18 2022

web 25 minutes ago the land of the wolves uniforms are a thing of the past as the ohio state buckeyes have a new all gray look they will debut against the michigan state