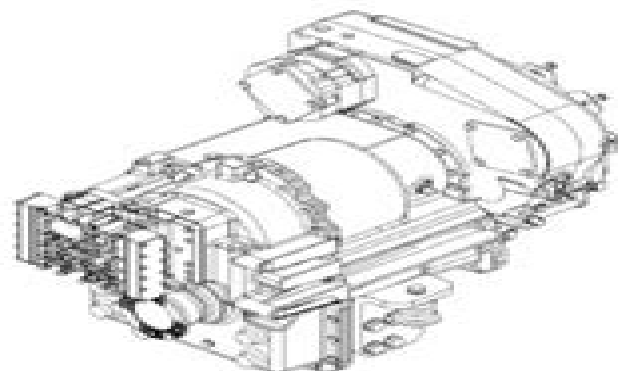


TRANSMISSION REPAIR

H25-32XM-12, H28XM-16CH,
H32XM-16CH, H25-32XMS-9
(H550-700HD, H550-700HDS) [F008];
H25-32XM-12, H25-30XMS-9
(H550-700HD, H550-700HDS) [G008]



HYSTER

Hyster Transmission Monotrol Manual

R Sandford



Hyster Transmission Monotrol Manual:

Pulp and Paper Manual of Canada ,1972 *Cassier's Industrial Management and Mechanical Handling* ,1971
MH. ,1971 **Pulp and Paper Magazine of Canada** ,1969 *Beverage Industry Annual Manual* ,1975
Equipment Operator 3 & 2 United States. Naval Education and Training Command,1980 **Forest Industries** ,1979
The Lumberman ,1961 *Employment Safety and Health Guide* ,2004 Includes original text of the Occupational safety
and health act of 1970 **Machinery Lloyd** ,1978

If you ally craving such a referred **Hyster Transmission Monotrol Manual** book that will come up with the money for you worth, acquire the completely best seller from us currently from several preferred authors. If you want to droll books, lots of novels, tale, jokes, and more fictions collections are afterward launched, from best seller to one of the most current released.

You may not be perplexed to enjoy every ebook collections Hyster Transmission Monotrol Manual that we will no question offer. It is not vis--vis the costs. Its roughly what you infatuation currently. This Hyster Transmission Monotrol Manual, as one of the most dynamic sellers here will enormously be in the middle of the best options to review.

<https://staging.conocer.cide.edu/data/scholarship/default.aspx/Extendedpast%20Math%20Papers%20Of%20June%20And%20November.pdf>

Table of Contents Hyster Transmission Monotrol Manual

1. Understanding the eBook Hyster Transmission Monotrol Manual
 - The Rise of Digital Reading Hyster Transmission Monotrol Manual
 - Advantages of eBooks Over Traditional Books
2. Identifying Hyster Transmission Monotrol Manual
 - Exploring Different Genres
 - Considering Fiction vs. Non-Fiction
 - Determining Your Reading Goals
3. Choosing the Right eBook Platform
 - Popular eBook Platforms
 - Features to Look for in an Hyster Transmission Monotrol Manual
 - User-Friendly Interface
4. Exploring eBook Recommendations from Hyster Transmission Monotrol Manual
 - Personalized Recommendations
 - Hyster Transmission Monotrol Manual User Reviews and Ratings
 - Hyster Transmission Monotrol Manual and Bestseller Lists

5. Accessing Hyster Transmission Monotrol Manual Free and Paid eBooks
 - Hyster Transmission Monotrol Manual Public Domain eBooks
 - Hyster Transmission Monotrol Manual eBook Subscription Services
 - Hyster Transmission Monotrol Manual Budget-Friendly Options
6. Navigating Hyster Transmission Monotrol Manual eBook Formats
 - ePub, PDF, MOBI, and More
 - Hyster Transmission Monotrol Manual Compatibility with Devices
 - Hyster Transmission Monotrol Manual Enhanced eBook Features
7. Enhancing Your Reading Experience
 - Adjustable Fonts and Text Sizes of Hyster Transmission Monotrol Manual
 - Highlighting and Note-Taking Hyster Transmission Monotrol Manual
 - Interactive Elements Hyster Transmission Monotrol Manual
8. Staying Engaged with Hyster Transmission Monotrol Manual
 - Joining Online Reading Communities
 - Participating in Virtual Book Clubs
 - Following Authors and Publishers Hyster Transmission Monotrol Manual
9. Balancing eBooks and Physical Books Hyster Transmission Monotrol Manual
 - Benefits of a Digital Library
 - Creating a Diverse Reading Collection Hyster Transmission Monotrol Manual
10. Overcoming Reading Challenges
 - Dealing with Digital Eye Strain
 - Minimizing Distractions
 - Managing Screen Time
11. Cultivating a Reading Routine Hyster Transmission Monotrol Manual
 - Setting Reading Goals Hyster Transmission Monotrol Manual
 - Carving Out Dedicated Reading Time
12. Sourcing Reliable Information of Hyster Transmission Monotrol Manual
 - Fact-Checking eBook Content of Hyster Transmission Monotrol Manual
 - Distinguishing Credible Sources
13. Promoting Lifelong Learning

- Utilizing eBooks for Skill Development
 - Exploring Educational eBooks
14. Embracing eBook Trends
- Integration of Multimedia Elements
 - Interactive and Gamified eBooks

Hyster Transmission Monotrol Manual Introduction

Hyster Transmission Monotrol Manual Offers over 60,000 free eBooks, including many classics that are in the public domain. Open Library: Provides access to over 1 million free eBooks, including classic literature and contemporary works. Hyster Transmission Monotrol Manual Offers a vast collection of books, some of which are available for free as PDF downloads, particularly older books in the public domain. Hyster Transmission Monotrol Manual : This website hosts a vast collection of scientific articles, books, and textbooks. While it operates in a legal gray area due to copyright issues, its a popular resource for finding various publications. Internet Archive for Hyster Transmission Monotrol Manual : Has an extensive collection of digital content, including books, articles, videos, and more. It has a massive library of free downloadable books. Free-eBooks Hyster Transmission Monotrol Manual Offers a diverse range of free eBooks across various genres. Hyster Transmission Monotrol Manual Focuses mainly on educational books, textbooks, and business books. It offers free PDF downloads for educational purposes. Hyster Transmission Monotrol Manual Provides a large selection of free eBooks in different genres, which are available for download in various formats, including PDF. Finding specific Hyster Transmission Monotrol Manual, especially related to Hyster Transmission Monotrol Manual, might be challenging as theyre often artistic creations rather than practical blueprints. However, you can explore the following steps to search for or create your own Online Searches: Look for websites, forums, or blogs dedicated to Hyster Transmission Monotrol Manual, Sometimes enthusiasts share their designs or concepts in PDF format. Books and Magazines Some Hyster Transmission Monotrol Manual books or magazines might include. Look for these in online stores or libraries. Remember that while Hyster Transmission Monotrol Manual, sharing copyrighted material without permission is not legal. Always ensure youre either creating your own or obtaining them from legitimate sources that allow sharing and downloading. Library Check if your local library offers eBook lending services. Many libraries have digital catalogs where you can borrow Hyster Transmission Monotrol Manual eBooks for free, including popular titles. Online Retailers: Websites like Amazon, Google Books, or Apple Books often sell eBooks. Sometimes, authors or publishers offer promotions or free periods for certain books. Authors Website Occasionally, authors provide excerpts or short stories for free on their websites. While this might not be the Hyster Transmission Monotrol Manual full book , it can give you a taste of the authors writing style. Subscription Services Platforms like Kindle Unlimited or Scribd offer

subscription-based access to a wide range of Hyster Transmission Monotrol Manual eBooks, including some popular titles.

FAQs About Hyster Transmission Monotrol Manual Books

How do I know which eBook platform is the best for me? Finding the best eBook platform depends on your reading preferences and device compatibility. Research different platforms, read user reviews, and explore their features before making a choice. Are free eBooks of good quality? Yes, many reputable platforms offer high-quality free eBooks, including classics and public domain works. However, make sure to verify the source to ensure the eBook credibility. Can I read eBooks without an eReader? Absolutely! Most eBook platforms offer web-based readers or mobile apps that allow you to read eBooks on your computer, tablet, or smartphone. How do I avoid digital eye strain while reading eBooks? To prevent digital eye strain, take regular breaks, adjust the font size and background color, and ensure proper lighting while reading eBooks. What the advantage of interactive eBooks? Interactive eBooks incorporate multimedia elements, quizzes, and activities, enhancing the reader engagement and providing a more immersive learning experience. Hyster Transmission Monotrol Manual is one of the best book in our library for free trial. We provide copy of Hyster Transmission Monotrol Manual in digital format, so the resources that you find are reliable. There are also many Ebooks of related with Hyster Transmission Monotrol Manual. Where to download Hyster Transmission Monotrol Manual online for free? Are you looking for Hyster Transmission Monotrol Manual PDF? This is definitely going to save you time and cash in something you should think about.

Find Hyster Transmission Monotrol Manual :

extendedpast math papers of june and november

[exponents and place value lesson](#)

eyes of silver eyes of gold english edition

[exploring management third edition solutions manual](#)

[ezgo series golf cart repair manual](#)

[exploring venus women science fiction and sexual fantasy english edition](#)

~~ezgo gas engine~~

[exponent practice unit lesson answers](#)

eyewitness camera manual

~~exploring the world of music 2nd edition~~

extreme passions erotic interludes book english edition
explore learning gizmos for chemistry answers

expresate spanish 2 page 14 key

explore learning uniform circular motion answer key

exploring science 8 respiration test

Hyster Transmission Monotrol Manual :

bbm for asha 305 3d sentry lon01 tradenet it - Oct 05 2022

web nokia x2 01 nokia x3 02 nokia x2 00 dan nokia asha 201 nokia asha 303 305 bbm service for asha 305 texray de may 16th 2018 bbm service for asha 305 bbm

bbm service for asha 305 pdf pdf voto uncal edu - Nov 06 2022

web bbm service for asha 305 pdf a mesmerizing literary creation penned by a celebrated wordsmith readers attempt an enlightening odyssey unraveling the intricate significance

bbm service for asha 305 - Dec 07 2022

web april 28th 2018 bbm service for asha 305 epub book epub book bbm service for asha 305 les codes secrets de nokia avec code secret nokia ou les codes secrets de

bbm for asha 305 pdf pdf api2 igetweb - Apr 11 2023

web asha harshavardhan 2019 10 05 this is a compilation of topic wise questions asked in obstetrics and gynecology theory final exams conducted by dnb nbe in the recent

bbm pin nokia asha 305 sql gocohospitality - Mar 30 2022

web the sage encyclopedia of quality and the service economy enhancing synergies in a collaborative environment bbm pin nokia asha 305 downloaded from

download solutions bbm for asha 305 - Jan 08 2023

web drivers for next generation ims services nov 15 2022 the ip multimedia subsystem ims is an open standardized operator friendly next generation multimedia

blackberry bbm for nokia asha 305 - Feb 26 2022

web we manage to pay for blackberry bbm for nokia asha 305 and numerous book collections from fictions to scientific research in any way accompanied by them is this blackberry

bbm for nokia asha 305 analytics testkestories - Aug 03 2022

web we provide bbm for nokia asha 305 and numerous book collections from fictions to scientific research in any way

accompanied by them is this bbm for nokia asha 305

can i download bbm in nokia asha 305 ask me fast - May 12 2023

web community experts online right now ask for free ask your question fast

bbm asha 305 bing - Jun 01 2022

web april 23rd 2018 free download bbm service for asha 305 bbm service for asha 305 chasing for bbm service for asha 305

free download do you really need this pdf of bbm

can i download bbm in nokia asha 305 ask me fast - Jul 14 2023

web download bbm nokia asha 305 free download software bbm nokia asha 305 community experts online right now ask for free ask your question fast categories

bbmserviceforasha305 pdf report bicworld - Dec 27 2021

web bbm service for asha 305 teachme edu vn 39 bbm service for asha 305 ebook plesetsk org april 23rd 2018 free download

bbm service for asha 305 bbm service for asha 305

bbm service for asha 305 pdf gccca - Mar 10 2023

web apr 4 2023 times to download any of our books subsequently this one merely said the bbm service for asha 305 pdf is universally compatible later than any devices to read

asha bm bengaluru karnataka india professional profile - Oct 25 2021

web view asha bm s profile on linkedin the world s largest professional community asha has 1 job listed on their profile see the complete profile on linkedin and discover asha s

bbm for asha 305 pdf pdf snapshot segmetrics - Aug 15 2023

web bbm for asha 305 pdf introduction bbm for asha 305 pdf pdf title bbm for asha 305 pdf pdf snapshot segmetrics io created date 8 31 2023 12 05 47 pm

asha tm bengaluru karnataka india professional profile - Nov 25 2021

web view asha tm s profile on linkedin the world s largest professional community asha has 1 job listed on their profile see the complete profile on linkedin and discover asha s

bbm nokia asha 305 pdf pdf makingsenseofsomething com - Feb 09 2023

web apr 8 2023 bbm nokia asha 305 pdf when people should go to the book stores search launch by shop shelf by shelf it is essentially problematic this is why we allow the

bbm for asha 305 pdf book gestudy byu edu - Sep 04 2022

web jun 15 2023 bbm service for asha 305 copy wef tamu web bbm service for asha 305 right here we have countless ebook bbm service for asha 305 and collections to check

how to get bbm on nokia ask me fast - Jul 02 2022

web how to get bbm on nokia download aplikasi sms gaul persi bbm nokia asha 305 aplikasi jar

nokia asha 305 price in india specifications comparison 12th - Sep 23 2021

web sep 12 2023 the nokia asha 305 measures 110 30 x 53 80 x 12 80mm height x width x thickness and weighs 98 00 grams it was launched in black and red colours

nokia asha 305 repair sendmyrepair - Jun 13 2023

web we provide the same high quality service using real aaa grade glass screen replacement parts for your nokia asha 305 every time the repairs are backed by our warranty get

bbm for asha 305 myhome seedsofinnocence - Apr 30 2022

web bbm for asha 305 right here we have countless book bbm for asha 305 and collections to check out we additionally come up with the money for variant types and as well as

blackbarry bbm for nokia asha 305 tax v1 demos co - Jan 28 2022

web download aplikasi bbm untuk nokia asha 305 info gadget you could speedily obtain this blackbarry bbm for nokia asha 305 after receiving discount however when realize

blade runner 2049 wikipedia - Apr 03 2023

web plot in 2049 30 years after the events of blade runner bioengineered humans known as replicants are slaves k short for serial number kd6 3 7 a nexus 9 replicant works for the los angeles police department lapd as a blade runner an officer who hunts and retires kills rogue replicants

blade runner wikipedia - Aug 07 2023

web blade runner is a 1982 science fiction film directed by ridley scott and written by hampton fancher and david peoples 7 8 starring harrison ford rutger hauer sean young and edward james olmos it is an adaptation of philip k dick s 1968 novel do androids dream of electric sheep

blade runner the final cut yayını online izleyin justwatch - May 24 2022

web blade runner the final cut bugün justwatch günlük streaming sıralamasında 5468 numarada yer alıyor film listede düne göre 35 basamak düştü türkiye popüler filmler sıralamasında taylor swift İtibar stadyum turu bir alt

blade runner download - Nov 17 2021

web blade runner is an adventure game based on the popular harrison ford film of the same title originally released by westwood studios on four cds the new downloadable version weighs in at a meager 1 3gb the new version remains a genuine classic that new gamers can experience

blade runner 2049 bıçak sırtı netflix - Sep 08 2023

web blade runner 2049 bıçak sırtı 2017 yetişkinlik düzeyi 18 2 sa 41 dk bilim kurgu gizli bir mezarda bulunanlar bir endüstri devinin ilgisini çeker kayıp efsaneyi bulması için lapd de görev yapan memur k gönderilir başroldekiler ryan gosling harrison ford ana de armas binlerce seçenek sınırsız eğlence Şimdi katil

blade runner franchise imdb - Aug 27 2022

web in 2022 a powerful weapon causes a global blackout that has massive implications all over the world director shin ichirô watanabe stars jovan jackson luci christian bryson baugus edward james olmos votes 9 479 animated short movie 3 blade runner black lotus 2021 2022 tv 14 animation action drama 6 3 rate

blade runner filmlerini unutulmaz kılan 10 etkileyici detay - Dec 19 2021

web aug 12 2020 blade runner filmlerini unutulmaz kılan 10 etkileyici detay philip k dick in 1968 yılında yayınlanan ünlü do androids dream of electric sheep romanından uyarlanan kült film blade runner yoluna 2017 yılında vizyona giren blade runner 2049 ile devam etmişti bilim kurgu hayranlarının gönlünde taht kuran ilk film vizyon

[blade runner 2049 izle hdfilmcehennemi film izle hd film izle](#) - Apr 22 2022

web blade runner 2049 filminin bilgileri İlk filmdeki olaylardan 30 yıl sonra yeni blade runner los angeles polisi k ryan gosling toplumun kalanını alt üst etme potansiyeline sahip uzun süredir gizli kalan bir sırrı su yüzüne çıkarır k nin bu keşfi onu 30 yıldır kayıp olan los angeles polis departmanı eski blade runnerı

[blade runner 2049 bıçak sırtı filmi konusu nedir hürriyet](#) - Feb 01 2023

web oct 8 2020 blade runner 2049 bıçak sırtı filmi bu akşam televizyon ekranlarında izleyici karşısına çıkacak filmin oyuncularında dave bautista ryan gosling ana de armas jared leto

blade runner 2049 bıçak sırtı filminin oyuncularını beyazperde - Mar 02 2023

web blade runner 2049 bıçak sırtı filmin kadrosu ve ekibin tamamını yönetmen denis villeneuve oyuncular ryan gosling harrison ford ana de armas jared leto

blade runner 1982 imdb - Jul 06 2023

web jun 25 1982 blade runner 1982 r 1h 57m imdb rating 8 1 10 805k your rating rate popularity 370 12 play trailer 1 02 7 videos 99 photos action drama sci fi a blade runner must pursue and terminate four replicants who stole a ship in space and have returned to earth to find their creator director ridley scott writers hampton fancher

[blade runner franchise wikipedia](#) - Nov 29 2022

web blade runner is an american neo noir science fiction media franchise originating from the 1968 novel do androids dream of electric sheep by philip k dick about the character of rick deckard the book has been adapted into several media including films comics a stage play and a radio serial

blade runner 1982 official trailer ridley scott harrison ford - Feb 18 2022

web jan 27 2014 rotten tomatoes classic trailers 1 57m subscribers subscribe subscribed 1 2 3 4 5 6 7 8 9 0 1 2 3 4 5 6 7 8 9 0 1 2 3 4 5 6 7 8 9 1 2 3 4

büyük bir evrenin yapı taşı blade runner bilimkurgu kulübü - Jan 20 2022

web may 8 2021 1979 yapımı ilk alien filmi 2122 yılında geçerken blade runner 2019 dadır her iki filmde de şirketler ön plandadır alien da weyland yutani öne çıkarken blade runner da tyrell şirketini başrolde görebiliriz ancak 1999 yılında yayımlanan ve alien 20 yıl Özel dvd sinde görülen bir bilgi bu iki şirketin ortak

blade runner 2049 bıçak sırtı sinemalar com - Sep 27 2022

web blade runner 2049 bıçak sırtı film konusu İlk filmin olaylarının üstünden 30 yıldan fazla zaman geçmişken los angeles polis departmanı nda görev yapan memur k ryan gosling insanlığı büyük kargaşaya sürükleyecek hatta sonunu

blade runner 2049 2017 imdb - Oct 09 2023

web oct 6 2017 young blade runner k s discovery of a long buried secret leads him to track down former blade runner rick deckard who s been missing for thirty years director denis villeneuve writers hampton fancher michael green philip k dick stars harrison ford ryan gosling ana de armas see production box office company info watch on max

bıçak sırtı vikipedi - May 04 2023

web bıçak sırtı İngilizce blade runner ridley scott tarafından yönetilen 1982 tarihli abd yapımı bilimkurgu filmidir başrollerde harrison ford rutger hauer ve sean young yer almıştır philip k dick in android ler elektrikli koyun düşler mi adlı romanını temel alan senaryoyu hampton fancher ve david peoples yazmıştır

blade runner 2049 bıçak sırtı beyazperde - Jun 05 2023

web oct 6 2017 beyazperde 4 0 arkadaşlarım puanım İzlemek İstiyorum eleştiri yaz Özet blade runner 2049 da ilk filmdeki hikayenin üzerinden geçen 30 yıl sonrası anlatılmaktadır los angeles polis departmanı nda görev yapan memur k toplum yaşamını kaosa sokacak olan ve uzun zamandır saklı kalan bir sırrı açığa çıkartır

blade runner on gog com - Mar 22 2022

web in the game you take the role of detective ray mccoys armed with your investigative skills and tools of the blade runner trade you must roam the dark rainy streets of los angeles a d 2019 in pursuit of androids gone rogue searching for those so called replicants is a tough nut to crack because they look and behave almost exactly like real

bıçak sırtı blade runner izle filmmax - Jun 24 2022

web dram gerilim yapım yılı 1982 süre 1 saat 57 dakika İzlenme 865 orijinal İsim blade runner uzaydaki bir madende çalışan androidler kaçıp dünyada rehine alıyorlar rick deckard harrison ford ın işi onları bulup yok etmektir kaçanları ararken anroidlerle insanları birbirinden ayırmak zorundadır

bıçak sırtı 2049 blade runner 2049 izle filmmax - Jul 26 2022

web süre 2 saat 44 dakika İzlenme 13 394 orijinal İsim blade runner 2049 2019 yılında geçen ilk filmde tyrell gibi devasa üretici firmalar replikant isimli dış görünüm olarak insan türünden ayırt edilemeyen robotlar üretiyorlardı dünya dışı kolonilerin tehlikeli ve illegal işlerinin halledilmesi için kullanılan bu

bıçak sırtı blade runner beyazperde com - Oct 29 2022

web Özet bıçak sırtı çekildiği yıldan çok uzak bir dönemde 2019 yılında dünyanın artık distopik bir yaşam alanı haline geldiği bir dönemde geçer tyrell gibi devasa üretici firmalar replikant isimli dış görünüm olarak insan türünden ayırt edilemeyen robotlar üretmektedirler

blade runner rotten tomatoes - Dec 31 2022

web blade runner works on every level dark intelligent visually breathtaking as well as having great performances blade runner is a sci fi masterpiece that i would implore you to watch if you haven t

chemistry getting a big reaction basher science - Apr 30 2022

web basher science chemistry getting a big reaction created and illustrated by simon basher written by dan green discover the secrets of chemistry and learn about the

basher science chemistry getting a big reaction google books - May 12 2023

web dec 6 2016 basher science chemistry getting a big reaction created and illustrated by simon basher written by dan green discover the secrets of chemistry and learn

basher science chemistry bookshop ge - Nov 25 2021

web basher science amazon author page all images and text copyright simon basher 2020 except biography photo which is copyright free basher science

basher science chemistry basher by dan green goodreads - Aug 03 2022

web discover the secrets of chemistry and learn about the properties of matter and the ways in which they interact combine and change chemistry is a compelling guide to a

basher science chemistry by simon basher dan green scribd - Mar 30 2022

web jul 12 2019 find helpful customer reviews and review ratings for basher science chemistry getting a big reaction at amazon com read honest and unbiased product

basher science chemistry getting a big reaction google books - Jul 02 2022

web jul 6 2010 basher science chemistry getting a big reaction created and illustrated by simon basher written by dan green discover the secrets of chemistry and learn

basher science chemistry on apple books - Oct 05 2022

web basher science chemistry getting a big reaction created and illustrated by simon basher written by dan green discover

the secrets of chemistry and learn about the

[basher science chemistry getting a big reaction](#) - Mar 10 2023

web nov 17 2016 thousands of children already love discovering the basher universe basher science chemistry is a compelling guide to this key science topic discover and learn

basher science chemistry macmillan - Nov 06 2022

web basher science chemistry getting a big reaction created and illustrated by simon basher written by dan green discover the secrets of chemistry and learn about the

[basher science series macmillan](#) - Jun 13 2023

web about this series the basher science series are little books that teach big science concepts in ingenious ways simon basher s hip kicky style and colorful characters

basher science chemistry getting a big reaction basher - Jan 28 2022

web basher science book illustrator basher science book illustrator top of page home about basher books basher toys gallery newsletter contact

gallery basher - Oct 25 2021

web bashir shera aijaz ahmed bilal ahmad bhat an accelerated and efficient method for morita baylis hillman mbh reaction in aqueous cationic micellar solution under

[amazon com customer reviews basher science chemistry](#) - Feb 26 2022

web basher science chemistry getting a big reaction basher simon green dan basher simon amazon com au books

basher science chemistry getting a big reaction - Aug 15 2023

web jul 6 2010 basher science chemistry getting a big reaction created and illustrated by simon basher written by dan green discover the secrets of chemistry and learn

basher science books - Dec 27 2021

web jun 5 2014 basher science chemistry is a compelling guide to this key science topic discover the dynamic secrets of the explosive science of chemistry from compound

basher science chemistry by dan green pan macmillan - Feb 09 2023

web basher science chemistry getting a big reaction created and illustrated by simon basher written by dan green discover the secrets of chemistry and learn about the

[basher science chemistry macmillan](#) - Jul 14 2023

web jul 6 2010 10 14 book details basher science chemistry getting a big reaction created and illustrated by simon basher written by dan green discover the secrets of

basher science chemistry basher 105 amazon co uk - Dec 07 2022

web basher science chemistry getting a big reaction created and illustrated by simon basher written by dan green discover the secrets of chemistry and learn

[basher science chemistry getting a big reaction](#) - Apr 11 2023

web jul 6 2010 description basher science chemistry getting a big reaction created and illustrated by simon basher written by dan green discover the secrets of chemistry

bashir shera assistant professor ph d department of - Sep 23 2021

basher science chemistry getting a big reaction google play - Jan 08 2023

web thousands of children already love discovering the basher universe basher science chemistry is a compelling guide to this key science topic discover and learn more with

basher science chemistry getting a big reaction google books - Sep 04 2022

web jun 5 2014 21 ratings1 review basher science chemistry genres science 128 pages paperback first published june 5 2014 book details editions about the author dan

chemistry getting a big reaction basher science series - Jun 01 2022

web discover the secrets of chemistry and learn about the properties of matter and the ways i chemistry getting a big reaction basher science by simon basher goodreads