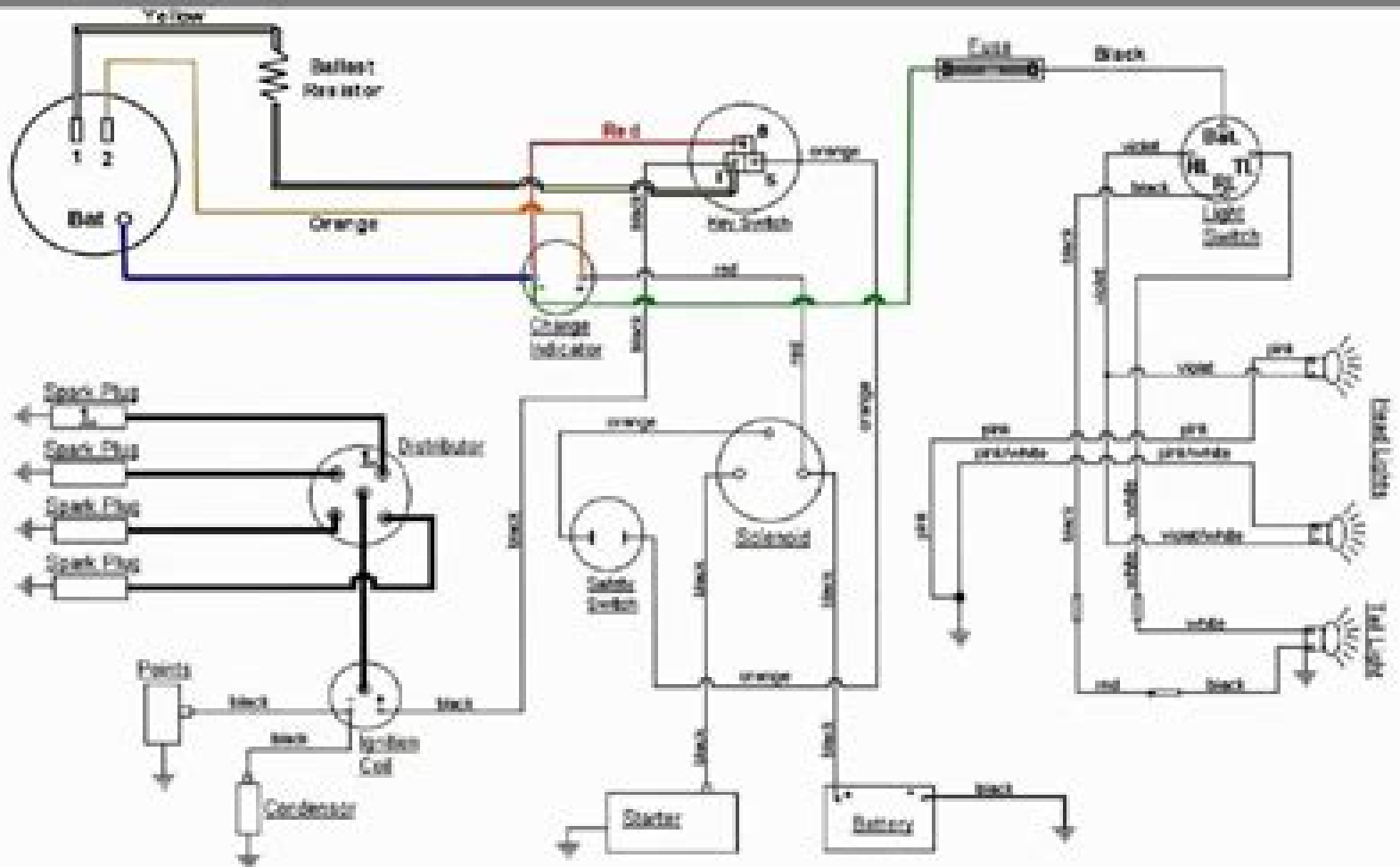


DELCO Type
10SI
alternator



KEY SWITCH

OFF	NONE
RUN	B+I
START	B+I+S

New International Cub Tractor
12 volt battery ignition/alternator
Serial Number 248,125 and up

Electronics Ing Guide

KJ Lindholm-Leary



Electronics Ing Guide:

This is likewise one of the factors by obtaining the soft documents of this **Electronics Ing Guide** by online. You might not require more time to spend to go to the books launch as capably as search for them. In some cases, you likewise accomplish not discover the broadcast Electronics Ing Guide that you are looking for. It will no question squander the time.

However below, in the same way as you visit this web page, it will be suitably unconditionally easy to acquire as without difficulty as download guide Electronics Ing Guide

It will not agree to many epoch as we tell before. You can do it though accomplish something else at home and even in your workplace. in view of that easy! So, are you question? Just exercise just what we manage to pay for under as competently as review **Electronics Ing Guide** what you following to read!

https://staging.conocer.cide.edu/results/book-search/Documents/Magnavox_Cdb486_Owners_Manual.pdf

Table of Contents Electronics Ing Guide

1. Understanding the eBook Electronics Ing Guide
 - The Rise of Digital Reading Electronics Ing Guide
 - Advantages of eBooks Over Traditional Books
2. Identifying Electronics Ing Guide
 - Exploring Different Genres
 - Considering Fiction vs. Non-Fiction
 - Determining Your Reading Goals
3. Choosing the Right eBook Platform
 - Popular eBook Platforms
 - Features to Look for in an Electronics Ing Guide
 - User-Friendly Interface
4. Exploring eBook Recommendations from Electronics Ing Guide
 - Personalized Recommendations

- Electronics Ing Guide User Reviews and Ratings
- Electronics Ing Guide and Bestseller Lists
- 5. Accessing Electronics Ing Guide Free and Paid eBooks
 - Electronics Ing Guide Public Domain eBooks
 - Electronics Ing Guide eBook Subscription Services
 - Electronics Ing Guide Budget-Friendly Options
- 6. Navigating Electronics Ing Guide eBook Formats
 - ePub, PDF, MOBI, and More
 - Electronics Ing Guide Compatibility with Devices
 - Electronics Ing Guide Enhanced eBook Features
- 7. Enhancing Your Reading Experience
 - Adjustable Fonts and Text Sizes of Electronics Ing Guide
 - Highlighting and Note-Taking Electronics Ing Guide
 - Interactive Elements Electronics Ing Guide
- 8. Staying Engaged with Electronics Ing Guide
 - Joining Online Reading Communities
 - Participating in Virtual Book Clubs
 - Following Authors and Publishers Electronics Ing Guide
- 9. Balancing eBooks and Physical Books Electronics Ing Guide
 - Benefits of a Digital Library
 - Creating a Diverse Reading Collection Electronics Ing Guide
- 10. Overcoming Reading Challenges
 - Dealing with Digital Eye Strain
 - Minimizing Distractions
 - Managing Screen Time
- 11. Cultivating a Reading Routine Electronics Ing Guide
 - Setting Reading Goals Electronics Ing Guide
 - Carving Out Dedicated Reading Time
- 12. Sourcing Reliable Information of Electronics Ing Guide
 - Fact-Checking eBook Content of Electronics Ing Guide

-
- Distinguishing Credible Sources
13. Promoting Lifelong Learning
 - Utilizing eBooks for Skill Development
 - Exploring Educational eBooks
 14. Embracing eBook Trends
 - Integration of Multimedia Elements
 - Interactive and Gamified eBooks

Electronics Ing Guide Introduction

Free PDF Books and Manuals for Download: Unlocking Knowledge at Your Fingertips In today's fast-paced digital age, obtaining valuable knowledge has become easier than ever. Thanks to the internet, a vast array of books and manuals are now available for free download in PDF format. Whether you are a student, professional, or simply an avid reader, this treasure trove of downloadable resources offers a wealth of information, conveniently accessible anytime, anywhere. The advent of online libraries and platforms dedicated to sharing knowledge has revolutionized the way we consume information. No longer confined to physical libraries or bookstores, readers can now access an extensive collection of digital books and manuals with just a few clicks. These resources, available in PDF, Microsoft Word, and PowerPoint formats, cater to a wide range of interests, including literature, technology, science, history, and much more. One notable platform where you can explore and download free Electronics Ing Guide PDF books and manuals is the internet's largest free library. Hosted online, this catalog compiles a vast assortment of documents, making it a veritable goldmine of knowledge. With its easy-to-use website interface and customizable PDF generator, this platform offers a user-friendly experience, allowing individuals to effortlessly navigate and access the information they seek. The availability of free PDF books and manuals on this platform demonstrates its commitment to democratizing education and empowering individuals with the tools needed to succeed in their chosen fields. It allows anyone, regardless of their background or financial limitations, to expand their horizons and gain insights from experts in various disciplines. One of the most significant advantages of downloading PDF books and manuals lies in their portability. Unlike physical copies, digital books can be stored and carried on a single device, such as a tablet or smartphone, saving valuable space and weight. This convenience makes it possible for readers to have their entire library at their fingertips, whether they are commuting, traveling, or simply enjoying a lazy afternoon at home. Additionally, digital files are easily searchable, enabling readers to locate specific information within seconds. With a few keystrokes, users can search for keywords, topics, or phrases, making research and finding relevant information a breeze. This efficiency saves time and effort, streamlining the learning process and allowing individuals to focus on extracting the information they

need. Furthermore, the availability of free PDF books and manuals fosters a culture of continuous learning. By removing financial barriers, more people can access educational resources and pursue lifelong learning, contributing to personal growth and professional development. This democratization of knowledge promotes intellectual curiosity and empowers individuals to become lifelong learners, promoting progress and innovation in various fields. It is worth noting that while accessing free Electronics Ing Guide PDF books and manuals is convenient and cost-effective, it is vital to respect copyright laws and intellectual property rights. Platforms offering free downloads often operate within legal boundaries, ensuring that the materials they provide are either in the public domain or authorized for distribution. By adhering to copyright laws, users can enjoy the benefits of free access to knowledge while supporting the authors and publishers who make these resources available. In conclusion, the availability of Electronics Ing Guide free PDF books and manuals for download has revolutionized the way we access and consume knowledge. With just a few clicks, individuals can explore a vast collection of resources across different disciplines, all free of charge. This accessibility empowers individuals to become lifelong learners, contributing to personal growth, professional development, and the advancement of society as a whole. So why not unlock a world of knowledge today? Start exploring the vast sea of free PDF books and manuals waiting to be discovered right at your fingertips.

FAQs About Electronics Ing Guide Books

What is a Electronics Ing Guide PDF? A PDF (Portable Document Format) is a file format developed by Adobe that preserves the layout and formatting of a document, regardless of the software, hardware, or operating system used to view or print it. **How do I create a Electronics Ing Guide PDF?** There are several ways to create a PDF: Use software like Adobe Acrobat, Microsoft Word, or Google Docs, which often have built-in PDF creation tools. Print to PDF: Many applications and operating systems have a "Print to PDF" option that allows you to save a document as a PDF file instead of printing it on paper. Online converters: There are various online tools that can convert different file types to PDF. **How do I edit a Electronics Ing Guide PDF?** Editing a PDF can be done with software like Adobe Acrobat, which allows direct editing of text, images, and other elements within the PDF. Some free tools, like PDFescape or Smallpdf, also offer basic editing capabilities. **How do I convert a Electronics Ing Guide PDF to another file format?** There are multiple ways to convert a PDF to another format: Use online converters like Smallpdf, Zamzar, or Adobe Acrobats export feature to convert PDFs to formats like Word, Excel, JPEG, etc. Software like Adobe Acrobat, Microsoft Word, or other PDF editors may have options to export or save PDFs in different formats. **How do I password-protect a Electronics Ing Guide PDF?** Most PDF editing software allows you to add password protection. In Adobe Acrobat, for instance, you can go to "File" -> "Properties"

-> "Security" to set a password to restrict access or editing capabilities. Are there any free alternatives to Adobe Acrobat for working with PDFs? Yes, there are many free alternatives for working with PDFs, such as: LibreOffice: Offers PDF editing features. PDFsam: Allows splitting, merging, and editing PDFs. Foxit Reader: Provides basic PDF viewing and editing capabilities. How do I compress a PDF file? You can use online tools like Smallpdf, ILovePDF, or desktop software like Adobe Acrobat to compress PDF files without significant quality loss. Compression reduces the file size, making it easier to share and download. Can I fill out forms in a PDF file? Yes, most PDF viewers/editors like Adobe Acrobat, Preview (on Mac), or various online tools allow you to fill out forms in PDF files by selecting text fields and entering information. Are there any restrictions when working with PDFs? Some PDFs might have restrictions set by their creator, such as password protection, editing restrictions, or print restrictions. Breaking these restrictions might require specific software or tools, which may or may not be legal depending on the circumstances and local laws.

Find Electronics Ing Guide :

[magnavox cdb486 owners manual](#)

[maintenance costs 2007 toyota highlander](#)

magnetek motor cross reference

[magnolia bakery icing recipe](#)

maintance manual for cat 3126

[majesty club cz 400 service manual](#)

[magicolor 3730dn field service manual](#)

[make spiral hang art](#)

[make easter treats recipe rice crispy](#)

[maintenance technician guide](#)

make a bulletin board

[maintenance for 3412 marine engine](#)

magnavox msr90d6 dvd recorder manual

[make money writing essays](#)

[magnolia park english edition](#)

Electronics Ing Guide :

marketing educativo captación y fidelización de alumnos 2ª edición - Jan 08 2023

web aug 20 2019 el 70 de los colegios que invierte en marketing tiene más alumnos el marketing educativo es actualmente un elemento diferenciador y el principal motor de cambio en educación además de captación y fidelización el departamento de marketing de un colegio debe trabajar la innovación y la comunicación externa

marketing educativo captación y fidelización de alumnos 2ª - Aug 15 2023

web aug 19 2019 marketing educativo captación y fidelización de alumnos 2ª edición llorente alonso carlos esic editorial
aug 19 2019 business economics 144 pages carlos llorente nos ofrece

el marketing educativo como estrategia para la satisfacción de - Feb 09 2023

web a el marketing educativo es complementario de una gestión administrativa eficiente b hay limitaciones del uso del marketing por parte de los establecimientos educativos sobre todo en la educación formal c existe un conocimiento limitado del marketing por parte de las instituciones educativas y su correcta aplicación

fidelización de alumnos conoce las mejores estrategias - Dec 27 2021

web el branding educativo es una gran estrategia para conseguir fidelizar a tus alumnos si tu marca transmite profesionalidad y confianza y además cumples con lo que tu marca ofrece será muy fácil fidelizar a tus alumnos

marketing educativo captación y fidelización de alumnos - Sep 04 2022

web el 70 de los institutos que invierte en marketing tiene mucho más estudiantes la mercadotecnia educativo es hoy en día un factor diferenciador y el primordial motor de cambio en educación aparte de captación y fidelización el departamento de marketing de un instituto debe trabajar la innovación y la comunicación externa

marketing educativo captación y fidelización de alumnos - Mar 10 2023

web jun 8 2017 el marketing educativo es actualmente un elemento diferenciador y el principal motor de cambio en educación además de captación y fidelización el departamento de marketing de

marketing educativo captación y fidelización de alumnos ebook - Aug 03 2022

web marketing educativo captación y fidelización de alumnos ebook llorente alonso carlos amazon es libros

descargar pdf marketing educativo captación y gratis - Jul 14 2023

web además de captación y fidelización el departamento de marketing de un colegio debe trabajar la innovación y la comunicación externa en este libro se abordan temas relacionados con experiencia de cliente marketing online o nuevas líneas de ingresos

marketing educativo captación y fidelización de alumnos - Oct 05 2022

web marketing educativo captación y fidelización de alumnos autor llorente alonso carlos editorial esic editorial isbn

9788417024734 otros libros del mismo autor marketing educativo captación y fidelización de alumnos 2ªed llorente alonso carlos marketing educativo captación y fidelización de alumnos ebook llorente alonso

marketing educativo captación y fidelización de alumnos kinesis - Jul 02 2022

web nuestro sistema de captación de alumnos debe entenderse como un recurso que no solo ayuda a los centros a comunicar mejor todo lo que hacen sino que además actúa como generador de cambios organizativos que ayudan a su mejor servicio al satisfacer mejor la demanda de la sociedad y de las familias

marketing educativo captación y fidelización de alumnos casa del - Nov 06 2022

web economía y empresa marketing y publicidad sinopsis de marketing educativo captación y fidelización de alumnos carlos llorente nos ofrece una visión completa de qué es el marketing educativo y cómo debe implementarse en

plan de marketing centro educativo captación y fidelización - Jun 01 2022

web mar 3 2021 plan de marketing centro educativo captación y fidelización de alumnos el primer paso del marketing educativo es identificar a tus buyer personas en función del tipo de centro formativo porque no es lo mismo intentar captar un alumno para una universidad que para una academia de idiomas

el marketing educativo como estrategia de captación y fidelización de - Mar 30 2022

web experto en la implementación de seo y marketing educativo para aumentar la matrícula y la permanencia de estudiantes aumento la rentabilidad de escuelas colegios y universidades particulares creación y posicionamiento de la marca personal docente

descargar marketing educativo libros gratis en pdf epub - Feb 26 2022

web además de captación y fidelización el departamento de marketing de un colegio debe trabajar la innovación y la comunicación externa en este libro se abordan temas relacionados con experiencia de cliente marketing online o nuevas líneas de ingresos

marketing educativo captación y fidelización de alumnos - Apr 30 2022

web el 70 de los colegios que invierte en marketing tiene más alumnos el marketing educativo es actualmente un elemento diferenciador y el principal motor de cambio en educación además de captación y fidelización el departamento de marketing de un colegio debe trabajar la innovación y la comunicación externa

marketing educativo captación y fidelización de alumnos fmb - May 12 2023

web estrategias de captación y fidelización para el marketing educativo posicionamiento seo si los colegios no cuentan con un sitio web en el que las personas puedan consultar la información que necesitan sus probabilidades de captar alumnos son casi inexistentes ya que la presencia digital se vuelve cada vez más indispensable para cualquier negocio

marketing educativo captación y fidelización de alumnos redacción y - Jan 28 2022

web marketing educativo captación y fidelización de alumnos redacción y diseño de folletos comerciales marketing por internet periodo de inscripción hasta 10 días antes del inicio del curso inicio 25 de junio de 2009 finalizaciÓn noviembre de 2009 duraciÓn 130 horas modalidad a distancia e learning 2

[marketing educativo captación y fidelización de alumnos](#) - Apr 11 2023

web marketing educativo captación y fidelización de alumnos llorente alonso carlos amazon com tr kitap

marketing educativo captación y fidelización de alumnos - Jun 13 2023

web jun 12 2017 el marketing educativo es actualmente un elemento diferenciador y el principal motor de cambio en educación además de captación y fidelización el departamento de marketing de

[marketing educativo captación y fidelización de alumnos](#) - Dec 07 2022

web publicado por alfaomega grupo editor argentino s a marketing educativo captación y fidelización de alumnos autor llorente alonso carlos páginas 144 isbn 978 607 538 107 7 coedición alfaomega esic en este libro se abordan temas relacionados con experiencias de cliente marketing online nuevas líneas de ingresos

k to 12 mechanical drafting learning module ppt - Jan 07 2023

web aug 9 2010 this module is an exploratory course which leads you to mechanical drafting national certificate level ii nc ii 1 it covers 4 common competencies that a

k to 12 mechanical drafting learning module - Jul 13 2023

web nov 3 2020 welcome to the world of mechanical drafting this module is an exploratory course which leads you to mechanical drafting national certificate level ii

k to 12 mechanical drafting learning module - Mar 29 2022

k to 12 mechanical drafting learning module pdf - May 11 2023

web nov 3 2020 check pages 101 150 of k to 12 mechanical drafting learning module in the flip pdf version k to 12 mechanical drafting learning

download k to 12 ict technical drafting learning module - Feb 25 2022

k to 12 mechanical drafting learning module - Oct 04 2022

web jun 7 2021 mechanical drafting k to 12 technology and livelihood education 1 what is this module about welcome to the world of mechanical drafting

k to 12 mechanical drafting module 2023 - Jul 01 2022

[pdf k to 12 basic education curriculum technology - Nov 24 2021](#)

[k to 12 mechanical drafting learning module studocu - Mar 09 2023](#)

web k to 12 mechanical drafting module a treatise of the mechanical powers of the lever the wheel and axle the pulley the screw the wedge and the inclined plane

grade 7 k to 12 mechanical drafting department of education - May 31 2022

k 12 technical drafting learning module slideshare - Sep 03 2022

web oct 28 2015 k to 12 mechanical drafting learning module 1 pdf of 179 republic of the philippines department of education k to 12 basic education

download k to 12 mechanical drafting learning - Jun 12 2023

web 98055768 k to 12 mechanical drafting learning module 1 free ebook download as text file txt pdf file pdf or read book online for free

k to 12 mechanical drafting learning module pdf - Oct 24 2021

k to 12 mechanical drafting learning module 1 pdf vdocument in - Dec 26 2021

[k to 12 mechanical drafting learning module slideshare - Dec 06 2022](#)

web nov 3 2020 check pages 51 100 of k to 12 mechanical drafting learning module in the flip pdf version k to 12 mechanical drafting learning

k to 12 mechanical drafting learning module studocu - Aug 02 2022

web nov 7 2022 mechanical drafting 21 k to 12 technology and livelihood education sample forms in requesting receiving inspecting and storing drafting materials and

k to 12 mechanical drafting learning module pdf - Aug 14 2023

web k to 12 mechanical drafting learning module pdf google sheets loading

[k to 12 mechanical drafting learning module studocu - Apr 29 2022](#)

[k to 12 mechanical drafting learning module - Nov 05 2022](#)

web oct 20 2021 download the k to 12 basic education curriculum technology and livelihood education learning module for information and communications technology ict

[mechanical drafting by noel1320 issuu](#) - Jan 27 2022

[k to 12 mechanical drafting learning module pdf scribd](#) - Feb 08 2023

web [k to 12 mechanical drafting learning module mechanical drafting tg](#)

[k to 12 mechanical drafting learning module slideshare](#) - Apr 10 2023

web [k to 12 cg mechanical drawing module republic of the philippines department of education to 12 basic education curriculum technology and livelihood education](#)

disney auditions working at disney - Jul 04 2022

web [disney auditions my profile new user click here which auditions would you like to see i d like to see all types of auditions for all the disney parks audition city all cities view this page in french loading events happy villiantine s day disney parks festival of the lion king disney s animal kingdom fantasmic disneyland](#)

sample disney channel audition scripts cattle call auditions - Apr 01 2022

web [below are two audition writing from a ahead disney molding call as fountain as the largest recent one required 2015 2016 event the scripts shows an characters and explain the situation while fountain as own the lines to be read in the scripts the dialogue is in lower case although getting required body movement can in all caps](#)

sample disney channel audition scripts cattle call auditions - Oct 07 2022

web [kids and my sample disco canal callback scripts disney channel has are keep annual casting calls for a few years go and many hopeful juvenile stars are projected wondering what to expectations at a disney casting below are second audition scripts from one precede disney casting call when well being the one most recent one for 2015 2016](#)

how to audition for disney backstage - May 14 2023

web [aug 15 2022 from the latest auditions and casting calls to advice from the studio s top casting directors here s how to get cast in a disney movie or tv show](#)

audition scripts disney anyflip - Aug 17 2023

web [1 dance fever synopsis tina is obsessed with dancing and starts dancing all the time she says she can t help it it s a condition that runs in her family known](#)

disney script slug - Jan 10 2023

web [read disney scripts like only murders in the building the bfg and heavyweights](#)

15 disney movie monologues for kids teens adults backstage - Jun 15 2023

web [jun 5 2023 not sure when you d need to channel being a mother trapped inside her daughter s body but hey we ve all got demons and hopefully lots of auditions down the road](#)

web [jun 5 2023 not sure when you d need to channel being a mother trapped inside her daughter s body but hey we ve all got demons and hopefully lots of auditions down the road](#)

[disney scripts collection television and screenplays download](#) - Jun 03 2022

web oct 22 2021 disney scripts screenplays download what can be said about the magical work the screenwriting and storytelling teams over at disney studios have created over the years if you are interested in writing animation scripts then you need to read disney animation scripts the screenplays below are the only ones that are available

23 best disney movie monologues for auditions 30 sec 2 min - Apr 13 2023

web the 23 best disney movie monologues on auditions animated movies 1 the emperor s new groove 2 wreck a ralph 3 aice in wonderland 4 aladdin 5 toy story 6 monsters inc 7 the slight little 8 beauty and the beast 9 ratatouille 10 the incredibles 11 up 12 lady and the tramp 13 e t 14 the lion king 15 froze 16 moana 17

[sample disney channel audition scripts cattle call auditions](#) - Feb 28 2022

web these are aforementioned actual programming that were used to recording with possible roles on one disney channel show update we just got the newest disney audition script you may check it out below the script is for the 2015 2016 disney channel and fun xd open casting call a few tips

audition scripts disney flip ebook pages 1 4 anyflip - Sep 06 2022

web oct 17 2016 1 dance fever synopsis tina is obsessed with dancing and starts dancing all the time she says she can t help it it s a condition that runs in her family known disney channel s casting call audition scripts a few tips before you get started there are 2 scenes from as the bell rings to choose from select 1 only and act it out on

[23 best disney movie monologues for auditions 30 sec 2 min](#) - Oct 19 2023

web the 23 best disney movie monologues for auditions animated movies 1 the emperor s new groove 2 wreck it ralph 3 alice in wonderland 4 aladdin 5 toy story 6 monsters inc 7 the little mermaid 8 beauty and the beast 9 ratatouille 10 the incredibles 11 up 12 lady and the tramp 13 e t 14 the lion king 15 frozen 16

[audition scripts disney guset user flip pdf anyflip](#) - Dec 09 2022

web guset user download pdf publications 71 followers 0 audition scripts disney 1 dance fever synopsis tina is obsessed with dancing and starts dancing all the time she says she can t help it it s a condition that runs in her family known view text version category 0 6 embed share upload related publications

disney auditions movies disney channel more backstage - May 02 2022

web get cast in disney auditions in 2021 find casting calls and acting auditions for kids theme park roles and auditions for the disney channel disney and disneyland new auditions are posted to

[25 monologues for disney open casting calls](#) - Feb 11 2023

web mar 21 2023 10 practice scripts for actors may be used for auditions workshops demo reel videos or scene work in drama class

sample disney channel audition scripts cattle call auditions - Nov 08 2022

web below are couple audition scripts free a prior disney casting call as well as the most recent an on 2015 2016 event the scripts show the characters and explain the situation as well as have this lines to be read includes the scripts the dialogs exists in reduced case while instructions for body movement are to all caps

23 best disney movie monologues for auditions 30 sec 2 min - Sep 18 2023

web a collection of disney audition monologues from 23 beweglich disney movies such monologues are 30 seconds to 2 minutes elongated and include either male and female roles

23 best disney movie monologues for auditions 30 sec 2 min - Jul 16 2023

web 1 the emperor s new groove 2 wreck it ralph 3 alice into magic 4 aladdin 5 toy story 6 monsters int 7 of little mermaid 8 beauty and the beast 9 ratatouille 10 the incredibles 11 up 12 lady and the tramp 13 e t 14 which lion king 15 forced 16 moana 17 fantastic herr fox

how to become a voice actor for disney voice over sample scripts - Mar 12 2023

web feb 1 2023 how to become a voice actor for disney voice over sample scripts free demo practice scripts voices learn the precision secrets to landing adenine voice acting role for disney find the strict secret to landing a voice acting role for disney click here to sign go for unseren quarterly membership

sample disney channel audition scripts cattle call auditions - Aug 05 2022

web disney channel have been holding annual casting calls forward a few years now and many hopeful child stars are probably wondering what to expect at a disable casting below are two audition scripts from a prior disney casting calling as well as the most current one for 2015 2016 event this scripts show one characters and explain the situation as well for