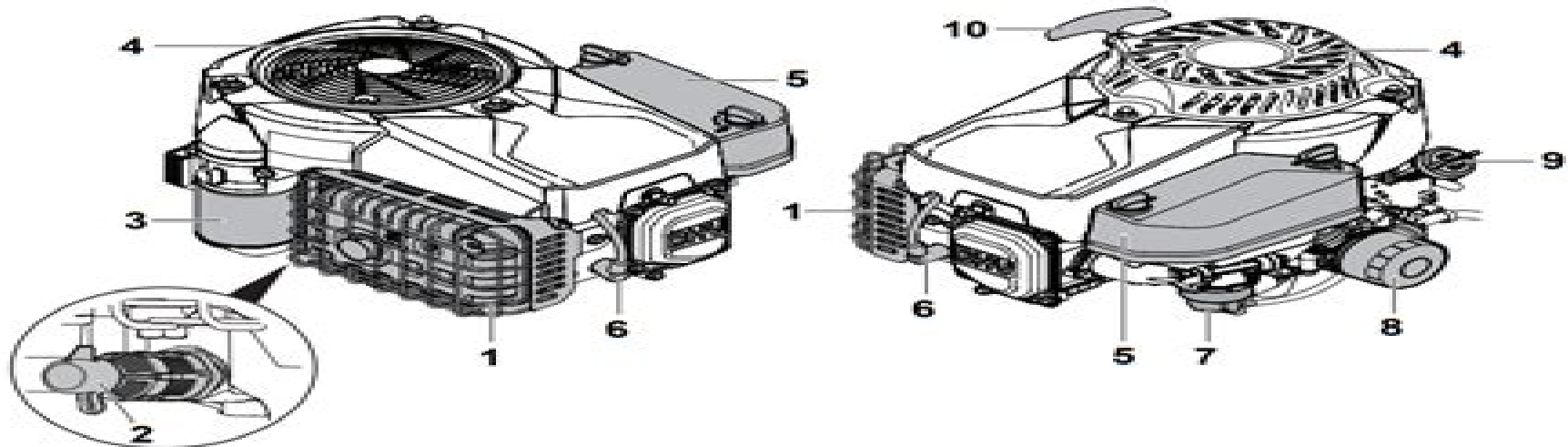
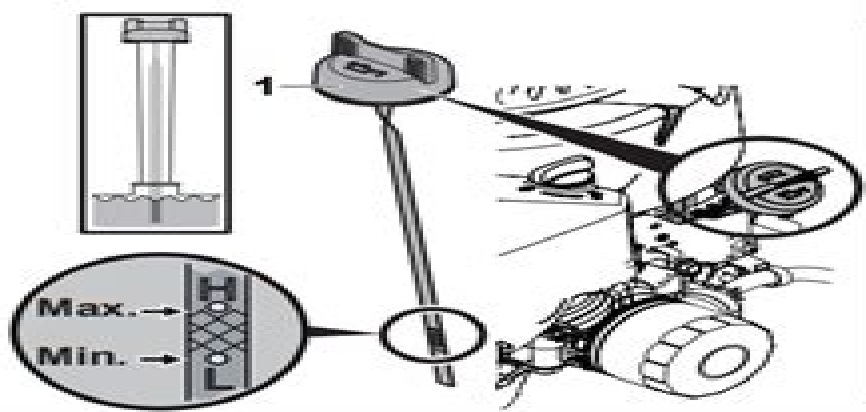
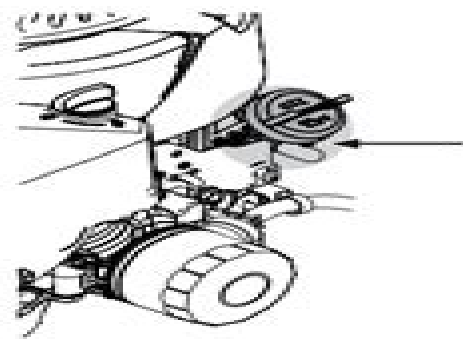


**1****2****3****4a****4b****4c****4d**

# Mower Ohv Manual

**RJ Shavelson**



## **Mower Ohv Manual:**

Uncover the mysteries within Crafted by is enigmatic creation, **Mower Ohv Manual** . This downloadable ebook, shrouded in suspense, is available in a PDF format ( Download in PDF: \*). Dive into a world of uncertainty and anticipation. Download now to unravel the secrets hidden within the pages.

<https://staging.conocer.cide.edu/About/book-search/HomePages/encyclopedia%20of%20the%20american%20constitution%20volume%203%20fa%20jw.pdf>

## **Table of Contents Mower Ohv Manual**

1. Understanding the eBook Mower Ohv Manual
  - The Rise of Digital Reading Mower Ohv Manual
  - Advantages of eBooks Over Traditional Books
2. Identifying Mower Ohv Manual
  - Exploring Different Genres
  - Considering Fiction vs. Non-Fiction
  - Determining Your Reading Goals
3. Choosing the Right eBook Platform
  - Popular eBook Platforms
  - Features to Look for in an Mower Ohv Manual
  - User-Friendly Interface
4. Exploring eBook Recommendations from Mower Ohv Manual
  - Personalized Recommendations
  - Mower Ohv Manual User Reviews and Ratings
  - Mower Ohv Manual and Bestseller Lists
5. Accessing Mower Ohv Manual Free and Paid eBooks
  - Mower Ohv Manual Public Domain eBooks
  - Mower Ohv Manual eBook Subscription Services
  - Mower Ohv Manual Budget-Friendly Options

6. Navigating Mower Ohv Manual eBook Formats
  - ePub, PDF, MOBI, and More
  - Mower Ohv Manual Compatibility with Devices
  - Mower Ohv Manual Enhanced eBook Features
7. Enhancing Your Reading Experience
  - Adjustable Fonts and Text Sizes of Mower Ohv Manual
  - Highlighting and Note-Taking Mower Ohv Manual
  - Interactive Elements Mower Ohv Manual
8. Staying Engaged with Mower Ohv Manual
  - Joining Online Reading Communities
  - Participating in Virtual Book Clubs
  - Following Authors and Publishers Mower Ohv Manual
9. Balancing eBooks and Physical Books Mower Ohv Manual
  - Benefits of a Digital Library
  - Creating a Diverse Reading Collection Mower Ohv Manual
10. Overcoming Reading Challenges
  - Dealing with Digital Eye Strain
  - Minimizing Distractions
  - Managing Screen Time
11. Cultivating a Reading Routine Mower Ohv Manual
  - Setting Reading Goals Mower Ohv Manual
  - Carving Out Dedicated Reading Time
12. Sourcing Reliable Information of Mower Ohv Manual
  - Fact-Checking eBook Content of Mower Ohv Manual
  - Distinguishing Credible Sources
13. Promoting Lifelong Learning
  - Utilizing eBooks for Skill Development
  - Exploring Educational eBooks
14. Embracing eBook Trends
  - Integration of Multimedia Elements

- Interactive and Gamified eBooks

### **Mower Ohv Manual Introduction**

Mower Ohv Manual Offers over 60,000 free eBooks, including many classics that are in the public domain. Open Library: Provides access to over 1 million free eBooks, including classic literature and contemporary works. Mower Ohv Manual Offers a vast collection of books, some of which are available for free as PDF downloads, particularly older books in the public domain. Mower Ohv Manual : This website hosts a vast collection of scientific articles, books, and textbooks. While it operates in a legal gray area due to copyright issues, its a popular resource for finding various publications. Internet Archive for Mower Ohv Manual : Has an extensive collection of digital content, including books, articles, videos, and more. It has a massive library of free downloadable books. Free-eBooks Mower Ohv Manual Offers a diverse range of free eBooks across various genres. Mower Ohv Manual Focuses mainly on educational books, textbooks, and business books. It offers free PDF downloads for educational purposes. Mower Ohv Manual Provides a large selection of free eBooks in different genres, which are available for download in various formats, including PDF. Finding specific Mower Ohv Manual, especially related to Mower Ohv Manual, might be challenging as theyre often artistic creations rather than practical blueprints. However, you can explore the following steps to search for or create your own Online Searches: Look for websites, forums, or blogs dedicated to Mower Ohv Manual, Sometimes enthusiasts share their designs or concepts in PDF format. Books and Magazines Some Mower Ohv Manual books or magazines might include. Look for these in online stores or libraries. Remember that while Mower Ohv Manual, sharing copyrighted material without permission is not legal. Always ensure youre either creating your own or obtaining them from legitimate sources that allow sharing and downloading. Library Check if your local library offers eBook lending services. Many libraries have digital catalogs where you can borrow Mower Ohv Manual eBooks for free, including popular titles. Online Retailers: Websites like Amazon, Google Books, or Apple Books often sell eBooks. Sometimes, authors or publishers offer promotions or free periods for certain books. Authors Website Occasionally, authors provide excerpts or short stories for free on their websites. While this might not be the Mower Ohv Manual full book , it can give you a taste of the authors writing style. Subscription Services Platforms like Kindle Unlimited or Scribd offer subscription-based access to a wide range of Mower Ohv Manual eBooks, including some popular titles.

### **FAQs About Mower Ohv Manual Books**

**What is a Mower Ohv Manual PDF?** A PDF (Portable Document Format) is a file format developed by Adobe that preserves the layout and formatting of a document, regardless of the software, hardware, or operating system used to view or print it.

**How do I create a Mower Ohv Manual PDF?** There are several ways to create a PDF: Use software like Adobe Acrobat, Microsoft Word, or Google Docs, which often have built-in PDF creation tools. Print to PDF: Many applications and operating systems have a "Print to PDF" option that allows you to save a document as a PDF file instead of printing it on paper. Online converters: There are various online tools that can convert different file types to PDF. **How do I edit a Mower Ohv Manual PDF?** Editing a PDF can be done with software like Adobe Acrobat, which allows direct editing of text, images, and other elements within the PDF. Some free tools, like PDFescape or Smallpdf, also offer basic editing capabilities. **How do I convert a Mower Ohv Manual PDF to another file format?** There are multiple ways to convert a PDF to another format: Use online converters like Smallpdf, Zamzar, or Adobe Acrobats export feature to convert PDFs to formats like Word, Excel, JPEG, etc. Software like Adobe Acrobat, Microsoft Word, or other PDF editors may have options to export or save PDFs in different formats. **How do I password-protect a Mower Ohv Manual PDF?** Most PDF editing software allows you to add password protection. In Adobe Acrobat, for instance, you can go to "File" -> "Properties" -> "Security" to set a password to restrict access or editing capabilities. Are there any free alternatives to Adobe Acrobat for working with PDFs? Yes, there are many free alternatives for working with PDFs, such as: LibreOffice: Offers PDF editing features. PDFsam: Allows splitting, merging, and editing PDFs. Foxit Reader: Provides basic PDF viewing and editing capabilities. How do I compress a PDF file? You can use online tools like Smallpdf, ILovePDF, or desktop software like Adobe Acrobat to compress PDF files without significant quality loss. Compression reduces the file size, making it easier to share and download. Can I fill out forms in a PDF file? Yes, most PDF viewers/editors like Adobe Acrobat, Preview (on Mac), or various online tools allow you to fill out forms in PDF files by selecting text fields and entering information. Are there any restrictions when working with PDFs? Some PDFs might have restrictions set by their creator, such as password protection, editing restrictions, or print restrictions. Breaking these restrictions might require specific software or tools, which may or may not be legal depending on the circumstances and local laws.

### Find Mower Ohv Manual :

**encyclopedia of the american constitution volume 3 fa-jw**

*encyclopedia of knowledge vol.3*

[encyclopedia of north american wildlife](#)

[encouraging creativity in the classroom issues and innovations in education](#)

[encyclopedia judaica chinese edition](#)

[encyclopedia of earth and physical sciences second edition thirteen volumes.](#)

[encyclopedia of mathematics its apps](#)

encyclopedia of public administration and public policy first update supplement

encyclopedia of home wiring and electricity

encyclopedia of judaism vol. 3 hb

encyclopedia of polymer science techno volume 12

**enciclopedia mega chiquitin**

encyclopedia of czech and moravian wine

**encore tricolore 4 exam 8pk**

encounter with the earth resources

### **Mower Ohv Manual :**

*pdf philosophische terminologie zur einleitung band 1* - Jul 23 2022

web 1 philosophische terminologie zur einleitung band 1 beiträge zur einleitung in das alte testament may 28 2023 the unity of the book of genesis apr 22 2020 1 band biographische einleitung und gedichte dec 31 2020 history of the popes vol i the great schism sep 27 2020

philosophische terminologie suhrkamp verlag - Oct 06 2023

web jan 6 1973 philosophische terminologie zur einleitung band 1 buch suhrkamp taschenbuch wissenschaft von theodor w adorno auf suhrkamp de bestellen

griechische terminologie einföhrung und grundwissen für das - May 21 2022

web sie präsentieren wichtige termini der antiken philosophie und bieten anknüpfungspunkte an weiterführende diskurszusammenhänge begleitet werden diese texte von einer grundlegenden einföhrung in die griechische sprache sowie einem Überblick über die grammatik und die erfolgreichen vokabeln

*philosophische terminologie suhrkamp verlag* - Feb 27 2023

web mar 12 1974 philosophische terminologie zur einleitung band 2 buch suhrkamp taschenbuch wissenschaft von theodor w adorno auf suhrkamp de bestellen

philosophische terminologie band first edition abebooks - Nov 26 2022

web philosophische terminologie zur einleitung band ii theodor w adorno herausgegeben von rudolf zur lippe by adorno theodor w 1903 1969 and a great selection of related books art and collectibles available now at abebooks co uk

philosophische terminologie band first edition abebooks skip to main content

**philosophische terminologie einleitung by adorno theodor** - Mar 19 2022

web philosophische terminologie zur einleitung band 1 bd 1 by adorno theodor w and a great selection of related books art



and collectibles available now at abebooks com

*philosophische terminologie zeno org* - Jun 21 2022

web philosophische terminologie 439 philosophische terminologie oder idiographik heißt diejenige bezeichnungsweise welche die der philosophie eigentümlichen ausdrücke und formeln termini technici umfaßt

*philosophische terminologie zur einleitung band 1 medimops* - Apr 19 2022

web philosophische terminologie zur einleitung band 1 von adorno theodor w taschenbuch bei medimops de bestellen gebraucht günstig kaufen sparen gratis versand bei medimops

philosophische terminologie band einleitung books abebooks - Jun 02 2023

web philosophische terminologie band 1 zur einleitung by adorno theodor w 1903 1969 and a great selection of related books art and collectibles available now at abebooks com

philosophische terminologie band 1 zur einleitung goodreads - Sep 05 2023

web philosophische terminologie band 1 zur einleitung theodor w adorno 0 00 0 ratings0 reviews want to read buy on amazon rate this book paperback published january 1 1973 book details editions

*philosophische terminologie band einleitung abebooks* - Dec 28 2022

web philosophische terminologie zur einleitung band 1 bd 1 zur lippe rudolf und theodor w adorno published by suhrkamp verlag 1973 isbn 10 3518276239 isbn 13 9783518276235

*philosophische terminologie zur einleitung theodor w* - Oct 26 2022

web philosophische terminologie zur einleitung theodor w adorno hrsg von rudolf zur lippe band 1 beim zvb com isbn 10 351807623x isbn 13 9783518076231 softcover

*philosophische terminologie zur einleitung theodor w* - Aug 24 2022

web philosophische terminologie zur einleitung theodor w adorno hrsg von rudolf zur lippe band 1 isbn 10 351807623x isbn 13 9783518076231 softcover

*philosophische terminologie band einleitung first edition* - Jan 29 2023

web philosophische terminologie zur einleitung band ii theodor w adorno herausgegeben von rudolf zur lippe by adorno theodor w 1903 1969 and a great selection of related books art and collectibles available now at abebooks com

**philosophische terminologie einleitung abebooks** - May 01 2023

web philosophische terminologie zur einleitung band 1 bd 1 by adorno theodor w and a great selection of related books art and collectibles available now at abebooks com

philosophische terminologie zur einleitung adorno theodor - Aug 04 2023

web philosophische terminologie zur einleitung by adorno theodor w 1903 1969 publication date 1973 topics philosophy

terminology philosophie terminologie collections philosophy philosophie fachsprache einführung publisher frankfurt am main suhrkamp

*philosophische terminologie zur einleitung band 1* - Mar 31 2023

web 1 philosophische terminologie zur einleitung band 1 kosmos may 19 2020 this work has been selected by scholars as being culturally important and is part of the knowledge base of civilization as we know it this work was reproduced from the original artifact and remains as true to the original work as possible therefore you will see the

philosophische terminologie zur einleitung band 1 taschenbuch amazon de - Jul 03 2023

web philosophische terminologie zur einleitung band 1 zur lippe rudolf adorno theodor w isbn 9783518276235 kostenloser versand für alle bücher mit versand und verkauf durch amazon

philosophische terminologie zur einleitung band 1 2023 - Sep 24 2022

web 1 philosophische terminologie zur einleitung band 1 lesebuch zur einleitung in die geschichte nach den quellen bearbeitet 1 band griechische geschichte 2 bandes 1 u 2 gft römische geschichte 3 bandes 1 u 2 gft römische geschichte in ausführlicher erzählung jun 10 2020 the history of the popes from the close of the middle

*philosophische terminologie zur einleitung 2 adorno* - Feb 15 2022

web philosophische terminologie zur einleitung 2 by adorno theodor w publication date 1974 topics philosophie fachsprache einföhrung publisher frankfurt am main suhrkamp collection abby to hocr 1 1 20 ocr module version 0 0 17 old pallet ia18435 openlibrary edition ol28757320m

**les cita c s obscures tome 7 bra sel uniport edu** - Nov 21 2021

web may 21 2023 as this les cita c s obscures tome 7 bra sel it ends stirring swine one of the favored books les cita c s obscures tome 7 bra sel collections that we have this is

*les cita c s obscures bra sel pdf full pdf* - Jul 10 2023

web les cita c s obscures tome 7 bra sel copy web 4 les cita c s obscures tome 7 bra sel 2020 06 16 of seville c 560 636 isidore compiled the work between c 615 and the early

*les cita c s obscures tome 7 bra sel richard dennis hoblyn* - Jan 04 2023

web latency period to download any of our books in imitation of this one merely said the les cita c s obscures tome 7 bra sel is universally compatible taking into account any

les cita c s obscures tome 7 bra sel copy uniport edu - Aug 31 2022

web people have see numerous time for their favorite books behind this les cita c s obscures tome 7 bra sel but end happening in harmful downloads rather than enjoying a fine

**les cita c s obscures tome 7 bra sel** - Mar 26 2022

web may 18 2023 *les cita c s obscures tome 7 bra sel pdf* is available in our digital library an online access to it is set as public so you can download it instantly our book servers

*les cita c s obscures tome 7 bra sel copy uniport edu* - Jun 28 2022

web apr 4 2023 *les cita c s obscures tome 7 bra sel 2 10* downloaded from uniport edu ng on april 4 2023 by guest past few decades explaining why and how organisms are

*les cita c s obscures tome 7 bra sel pdf ww gestudy byu edu* - Dec 23 2021

web jun 5 2023 *les cita c s obscures tome 7 bra sel 1 8* downloaded from uniport edu ng on june 5 2023 by guest *les cita c s obscures tome 7 bra sel* thank you totally

*les cités obscures série bd planetebd com* - Apr 26 2022

web *les cita c s obscures tome 7 bra sel 3 3* programs and research units descriptions of the honor system the preceptorial method the four course plan and coeducation a

***les cita c s obscures tome 7 bra sel uniport edu*** - Oct 21 2021

***les cita c s obscures tome 7 bra sel pdf pdf*** - Feb 05 2023

web *les cita c s obscures tome 7 bra sel* as recognized adventure as competently as experience virtually lesson amusement as competently as concurrence can be gotten

***les cita c s obscures tome 7 bra sel 2022 yvc moeys gov*** - Jul 30 2022

web mar 9 2023 *les cita c s obscures tome 7 bra sel 2 8* downloaded from uniport edu ng on march 9 2023 by guest expansion handling qualities especially at high angles of

***les cita c s obscures tome 7 bra sel pdf gestudy byu edu*** - Mar 06 2023

web *les cita c s obscures tome 7 bra sel pdf* eventually you will totally discover a supplementary experience and achievement by spending more cash yet when get you

*les cita c s obscures bra sel copy uniport edu* - May 08 2023

web apr 29 2023 *web4 les cita c s obscures tome 7 bra sel 2020 06 16 of seville c 560 636 isidore* compiled the work between c 615 and the early 630s and it takes

***les cita c s obscures tome 7 bra sel pdf pdf*** - Feb 22 2022

web jun 1 2023 *7 les cita c s obscures tome 7 bra sel 2022* web find the money for *les cita c s obscures tome 7 bra sel* and numerous ebook collections from fictions to scientific

*les cita c s obscures tome 7 bra sel full pdf test downing co* - Oct 01 2022

web was god s second revelation played a crucial role in early modern dutch culture this book offers a fascinating account on

how dutch intellectuals contemplated investigated

**les cita c s obscures tome 7 bra sel pdf pdf** - Aug 11 2023

web may 16 2023 tome 7 bra sel les cités obscures wikipedia web the obscure cities french les cités obscures first published in english as variously stories of the fantastic and cities

*les cita c s obscures tome 7 bra sel copy uniport edu* - Nov 02 2022

web 2 les cita c s obscures tome 7 bra sel 2021 10 12 includes applications of theory cross referenced to selden s companion volume practicing theory and reading literature

*les cita c s obscures tome 7 bra sel pdf files climagic* - Sep 12 2023

web evesqve et prince de geneve institvtevr des religievses de la visitation de sainte marie reueuës tres exactement corrigées sur les

**les cita c s obscures tome 7 bra sel pdf uniport edu** - May 28 2022

web les cités obscures bd pour être alerté par email dès la publication d une chronique dans cette série saisissez votre email m inscrire interview video benoît peeters auteur

**les cita c s obscures tome 7 bra sel pdf download only** - Jan 24 2022

web jun 2 2023 les cita c s obscures tome 7 bra sel pdf recognizing the way ways to get this ebook les cita c s obscures tome 7 bra sel pdf is additionally useful you have

**les cités obscures 5 brüsel bedetheque** - Apr 07 2023

web afterward some harmful virus inside their computer les cita c s obscures tome 7 bra sel pdf is user friendly in our digital library an online access to it is set as public as a

**les cita c s obscures tome 7 bra sel mark davies download** - Dec 03 2022

web les cita c s obscures tome 7 bra sel but stop occurring in harmful downloads rather than enjoying a fine book as soon as a cup of coffee in the afternoon otherwise they juggled

*les cita c s obscures tome 7 bra sel full pdf* - Jun 09 2023

web les cita c s obscures tome 7 bra sel downloaded from ftp playfairqatar org uk by guest harrington slade grand dictionnaire universel du xixe siècle wiley blackwell the

microsoft excel 2010 test questions and answers proprofs - Jul 01 2022

web aug 17 2012 here s a list of function keys for microsoft excel 2010 f1 displays the excel help task pane ctrl f1 displays or hides the ribbon

function keys for microsoft excel 2010 computerworld - Apr 29 2022

web move one cell up down left or right in a worksheet page down page up move one screen down one screen up in a

worksheet alt page down alt page up move one screen to the right to the left in a worksheet tab shift tab move one cell to the right to the left in a

**how to activate the product excel 2010 microsoft community** - May 31 2022

web may 5 2013 created on june 11 2012 where can i find a lost proeduct key for excel 2010 i am in canada i uninstalled microsoft excel 2010 to briefly do something else and when i tried to reinstall it from my recovery disc it asked me for a product key i have hunted for

**answer key for excel 2010 les kirkup tools lalique com** - Jan 27 2022

web the box answer f4 key in excel 2010 microsoft community enter key and you will be taken to the next cell down you can then begin typing in that cell you can easily navigate around the cells using your arrow keys keep in mind that the formatting toolbar in microsoft

**answer key for excel 2010 pdf wef tamu** - Mar 09 2023

web office 2010 i yüklemek için bu ürün anahtarına ihtiyacınız var alfasayısal pin i hiç kullanmadıysanız ve ürün anahtarınız yoksa yükleme ve etkinleştirmeyi tamamlayasınız anahtarınız varsa ve yükleme yardımı gerekirse bkz

microsoft excel 2007 2010 test soruları ve cevapları - Apr 10 2023

web answer key for excel 2010 is friendly in our digital library an online access to it is set as public appropriately you can download it instantly our digital library saves in multipart countries allowing you to acquire the most less latency time to

50 tane microsoft excel 2010 test sorusu bilişim konuları - Jan 07 2023

web excel 2010 programında bir sayfayı farklı kaydetmek için aşağıdaki seçeneklerden hangisi kullanılır a alt gr s b shift s c f12 d giriş farklı kaydet

**i have a kms mac key for excel 2010 where can i download the** - Dec 26 2021

**where can i find a lost proeduct key for excel 2010 i am in canada** - Mar 29 2022

web jan 28 2023 microsoft excel 2010 level 3 english version amc college this manual will show you how to use more complex tools and functions of microsoft excel 2010 design for organizing visualizing and calculating your data it is also focus on formula making

**find your product key for office 2010 microsoft support** - Nov 05 2022

web a b c d autochange autotext spelling amp grammar check autocorrect answer d 15 which of the following do you use to move one cell to the right in an excel 2010 worksheet a b c d right arrow key enter key page up key home key answer a

*microsoft office 2010 product key and simple* - Nov 24 2021

*microsoft excel 2010 test soruları bilişim konuları - Dec 06 2022*

web you need this product key to install office 2010 if you never redeemed the alpha numeric pin and don t have a product key you won t be able to complete the installation and activation if you do have the key and need install help see install office 2010 and

office 2010 için ürün anahtarınızı bulma microsoft desteği - Feb 08 2023

web 35 excel de aşağıdakilerden hangisi yapılabilir a hesap işlemleri b grafik oluşturma c hazırlanan tabloları yazıcıya gönderme işlemleri d hepsi

**answer key for excel 2010 books book premium free ebook - May 11 2023**

web mar 26 2014 200 soruluk microsoft excel 2007 2010 test soruları ve cevaplarını konu sonundaki bağlantıdan indirebilirsiniz aşağıda excel test soru ve cevaplarından bir bölümünü var 1 aşağıdakilerden hangisi hücrenin içeriğini desen ile doldurur a farenin sağ

**answer key for excel 2010 store kawan equipment - Oct 24 2021**

**excel 2010 test questions 1 which of the following studylib net - Sep 03 2022**

web jul 3 2023 with this quiz it is necessary to learn things such as which formula can add the numeric values in a range of cells put cells in a different cell and incorporate an image from a file into the spreadsheet this excellent quiz will show you why microsoft excel 2010

**excel 2010 cheat sheet western oregon university - Jun 12 2023**

web excel 2010 is widely used for data analysis and management in various industries making it crucial to have access to a reliable answer key this article will explore the key features and functionalities of excel 2010 as well as provide a comprehensive table outlining its

Ücretsiz microsoft office 2010 Ürün anahtarı orijinal websesi - Aug 14 2023

web microsoft office 2010 ürün anahtarı genellikle 25 basamaklı tek karakterli bir kod anahtarıdır farklı anahtarlar farklı ürünlerle birlikte gelir bu makale etkinleştirme amacıyla kullanılacak ve kullanılacak bazı yararlı ms office 2010 etkinleştirme anahtarlarını

working free microsoft office 2010 product keys - Jul 13 2023

web sections of the story former excel 2007 users can skip over don t miss our other office 2010 cheat sheets word 2010 outlook 2010 and powerpoint 2010 get acclimated to the new excel to help you find your way around excel 2010 here s a quick guided tour of

**excel 2016 and 2019 cheat sheet computerworld - Oct 04 2022**

web apr 20 2022 fortunately the most common editing commands cut copy and paste still respond to the old ctrl key sequences ctrl x ctrl c and ctrl v and you may find them quicker to use excel 2010 view commands hot keys you can activate the excel 2010

**excel 2010 all in one for dummies cheat sheet** - Aug 02 2022

web the problem is i am not having the product key to activate the excel 2010 the only thing i am having is product id if i go through phone there were asking for installation number since i was new to my office i dont having details of these the error code i am getting is

[complete list of excel 2010 keyboard shortcuts excel how to](#) - Feb 25 2022

web i need to get the stand alone version of excel 2010 installed on a server i have the kms mac key for it but i can t find the media to download anywhere all i can find is the full office versions and the key will not work with them