



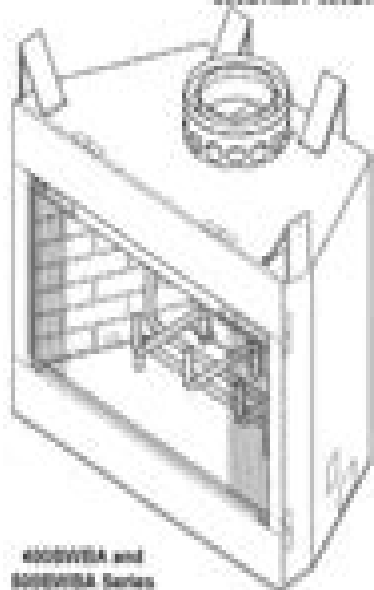
36" and 42" WOOD BURNING FIREPLACES



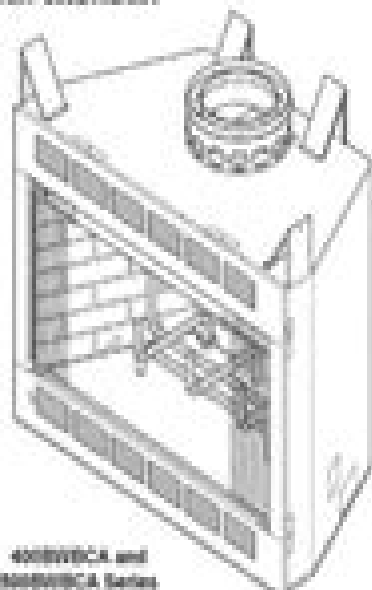
INSTALLATION AND OPERATING INSTRUCTIONS Glass Doors, Fan Assembly, and Outside Combustion Air Kit Available

MODELS:

4000WBA 4000WBA 4000WBCA 4000WBDA
5000WBA 5000WBA 5000WBCA 5000WBDA



4000WBA and
5000WBA Series
Radiant Type



4000WBCA and
5000WBCA Series
Circulating Type

These fireplaces are U. L.® listed for use with "B" Series chimney system components.

Only Unvented Gas Log Sets which have been found to comply with the Standard For Unvented Room Heaters ANSI Z21.13.2, are to be installed in this fireplace. A hood must be installed when mantle is installed at 12" from fireplace opening.

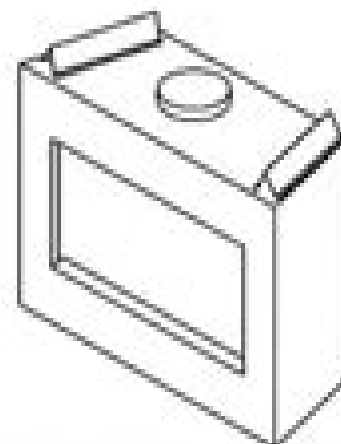
READ BEFORE INSTALLING. SAVE THESE INSTRUCTIONS



SUPER B-VENT GAS FIREPLACE

INSTALLATION AND OPERATING INSTRUCTIONS

MODEL# BVE436, BVE426, BVE416



WARNING: If the information in these instructions are not followed exactly, a fire or explosion may result causing property damage, personal injury or death.

- Do not store or use gasoline or other flammable vapors and liquids in the vicinity of this or any other appliance.
- WHAT TO DO IF YOU SMELL GAS**
- Do not try to light any appliance.
- Do not touch any electrical switch, do not use any phone in your building.
- Immediately call your gas supplier from a neighbor's phone. Follow the gas supplier's instructions.
- If you cannot reach your gas supplier, call the fire department.
- Installation and service must be performed by a qualified installer, service agency or the gas supplier.

The appliance may be located in an otherwise permanently finished, unconditioned space in a mobile home, when so prohibited by local codes.

The appliance is only to be used with the type of gas indicated on the rating plate. The appliance is not intended for use with other gases unless a certificate is used.

For Restricted Use Models (RUE) Requirements For Mechanical Breathing Apparatus

BE TO HIGH TEMPERATURES, THE APPLIANCE SHOULD BE LOCATED OUT OF TRAFFIC AND AWAY FROM FURNITURE AND DRAPES.

CHILDREN AND ANIMALS SHOULD BE ALERTED TO THE DANGERS OF HIGH SURFACE TEMPERATURE AND SHOULD BE KEPT AWAY TO AVOID BURNS OR EXHAUSTION DANGERS.

YOUTH CHILDREN SHOULD BE SUPERVISED WHEN THEY ARE IN THE SAME ROOM AS THE APPLIANCE.

CLOTHING OR OTHER FLAMMABLE MATERIAL SHOULD NOT BE PLACED ON OR NEAR THE APPLIANCE.

KEEP THE ROOM AREA CLEAR AND FREE FROM COMBUSTIBLE MATERIALS, GASOLINE, AND OTHER FLAMMABLE VAPORS AND LIQUIDS.

• READ BEFORE INSTALLING OR OPERATING AND SAVE THESE INSTRUCTIONS •

Martin Dv3a Manual

Rachel S Tattersall



Martin Dv3a Manual:

Unveiling the Energy of Verbal Art: An Mental Sojourn through **Martin Dv3a Manual**

In a world inundated with displays and the cacophony of quick transmission, the profound power and mental resonance of verbal beauty frequently disappear into obscurity, eclipsed by the regular onslaught of sound and distractions. Yet, set within the musical pages of **Martin Dv3a Manual**, a fascinating work of literary beauty that pulses with raw feelings, lies an memorable journey waiting to be embarked upon. Published by a virtuoso wordsmith, this interesting opus guides readers on a mental odyssey, delicately revealing the latent possible and profound influence embedded within the complex internet of language. Within the heart-wrenching expanse of this evocative evaluation, we will embark upon an introspective exploration of the book is central subjects, dissect its interesting publishing type, and immerse ourselves in the indelible impression it leaves upon the depths of readers souls.

https://staging.conocer.cide.edu/data/uploaded-files/Download_PDFS/lab_solution_manual_for_ebbing_gammon.pdf

Table of Contents Martin Dv3a Manual

1. Understanding the eBook Martin Dv3a Manual
 - The Rise of Digital Reading Martin Dv3a Manual
 - Advantages of eBooks Over Traditional Books
2. Identifying Martin Dv3a Manual
 - Exploring Different Genres
 - Considering Fiction vs. Non-Fiction
 - Determining Your Reading Goals
3. Choosing the Right eBook Platform
 - Popular eBook Platforms
 - Features to Look for in an Martin Dv3a Manual
 - User-Friendly Interface
4. Exploring eBook Recommendations from Martin Dv3a Manual
 - Personalized Recommendations

- Martin Dv3a Manual User Reviews and Ratings
- Martin Dv3a Manual and Bestseller Lists
- 5. Accessing Martin Dv3a Manual Free and Paid eBooks
 - Martin Dv3a Manual Public Domain eBooks
 - Martin Dv3a Manual eBook Subscription Services
 - Martin Dv3a Manual Budget-Friendly Options
- 6. Navigating Martin Dv3a Manual eBook Formats
 - ePub, PDF, MOBI, and More
 - Martin Dv3a Manual Compatibility with Devices
 - Martin Dv3a Manual Enhanced eBook Features
- 7. Enhancing Your Reading Experience
 - Adjustable Fonts and Text Sizes of Martin Dv3a Manual
 - Highlighting and Note-Taking Martin Dv3a Manual
 - Interactive Elements Martin Dv3a Manual
- 8. Staying Engaged with Martin Dv3a Manual
 - Joining Online Reading Communities
 - Participating in Virtual Book Clubs
 - Following Authors and Publishers Martin Dv3a Manual
- 9. Balancing eBooks and Physical Books Martin Dv3a Manual
 - Benefits of a Digital Library
 - Creating a Diverse Reading Collection Martin Dv3a Manual
- 10. Overcoming Reading Challenges
 - Dealing with Digital Eye Strain
 - Minimizing Distractions
 - Managing Screen Time
- 11. Cultivating a Reading Routine Martin Dv3a Manual
 - Setting Reading Goals Martin Dv3a Manual
 - Carving Out Dedicated Reading Time
- 12. Sourcing Reliable Information of Martin Dv3a Manual
 - Fact-Checking eBook Content of Martin Dv3a Manual

- Distinguishing Credible Sources
13. Promoting Lifelong Learning
 - Utilizing eBooks for Skill Development
 - Exploring Educational eBooks
 14. Embracing eBook Trends
 - Integration of Multimedia Elements
 - Interactive and Gamified eBooks

Martin Dv3a Manual Introduction

Martin Dv3a Manual Offers over 60,000 free eBooks, including many classics that are in the public domain. Open Library: Provides access to over 1 million free eBooks, including classic literature and contemporary works. Martin Dv3a Manual Offers a vast collection of books, some of which are available for free as PDF downloads, particularly older books in the public domain. Martin Dv3a Manual : This website hosts a vast collection of scientific articles, books, and textbooks. While it operates in a legal gray area due to copyright issues, its a popular resource for finding various publications. Internet Archive for Martin Dv3a Manual : Has an extensive collection of digital content, including books, articles, videos, and more. It has a massive library of free downloadable books. Free-eBooks Martin Dv3a Manual Offers a diverse range of free eBooks across various genres. Martin Dv3a Manual Focuses mainly on educational books, textbooks, and business books. It offers free PDF downloads for educational purposes. Martin Dv3a Manual Provides a large selection of free eBooks in different genres, which are available for download in various formats, including PDF. Finding specific Martin Dv3a Manual, especially related to Martin Dv3a Manual, might be challenging as theyre often artistic creations rather than practical blueprints. However, you can explore the following steps to search for or create your own Online Searches: Look for websites, forums, or blogs dedicated to Martin Dv3a Manual, Sometimes enthusiasts share their designs or concepts in PDF format. Books and Magazines Some Martin Dv3a Manual books or magazines might include. Look for these in online stores or libraries. Remember that while Martin Dv3a Manual, sharing copyrighted material without permission is not legal. Always ensure youre either creating your own or obtaining them from legitimate sources that allow sharing and downloading. Library Check if your local library offers eBook lending services. Many libraries have digital catalogs where you can borrow Martin Dv3a Manual eBooks for free, including popular titles. Online Retailers: Websites like Amazon, Google Books, or Apple Books often sell eBooks. Sometimes, authors or publishers offer promotions or free periods for certain books. Authors Website Occasionally, authors provide excerpts or short stories for free on their websites. While this might not be the Martin Dv3a Manual full book , it can give you a taste of the authors writing style. Subscription Services Platforms like Kindle Unlimited or

Scribd offer subscription-based access to a wide range of Martin Dv3a Manual eBooks, including some popular titles.

FAQs About Martin Dv3a Manual Books

1. Where can I buy Martin Dv3a Manual books? Bookstores: Physical bookstores like Barnes & Noble, Waterstones, and independent local stores. Online Retailers: Amazon, Book Depository, and various online bookstores offer a wide range of books in physical and digital formats.
2. What are the different book formats available? Hardcover: Sturdy and durable, usually more expensive. Paperback: Cheaper, lighter, and more portable than hardcovers. E-books: Digital books available for e-readers like Kindle or software like Apple Books, Kindle, and Google Play Books.
3. How do I choose a Martin Dv3a Manual book to read? Genres: Consider the genre you enjoy (fiction, non-fiction, mystery, sci-fi, etc.). Recommendations: Ask friends, join book clubs, or explore online reviews and recommendations. Author: If you like a particular author, you might enjoy more of their work.
4. How do I take care of Martin Dv3a Manual books? Storage: Keep them away from direct sunlight and in a dry environment. Handling: Avoid folding pages, use bookmarks, and handle them with clean hands. Cleaning: Gently dust the covers and pages occasionally.
5. Can I borrow books without buying them? Public Libraries: Local libraries offer a wide range of books for borrowing. Book Swaps: Community book exchanges or online platforms where people exchange books.
6. How can I track my reading progress or manage my book collection? Book Tracking Apps: Goodreads, LibraryThing, and Book Catalogue are popular apps for tracking your reading progress and managing book collections. Spreadsheets: You can create your own spreadsheet to track books read, ratings, and other details.
7. What are Martin Dv3a Manual audiobooks, and where can I find them? Audiobooks: Audio recordings of books, perfect for listening while commuting or multitasking. Platforms: Audible, LibriVox, and Google Play Books offer a wide selection of audiobooks.
8. How do I support authors or the book industry? Buy Books: Purchase books from authors or independent bookstores. Reviews: Leave reviews on platforms like Goodreads or Amazon. Promotion: Share your favorite books on social media or recommend them to friends.
9. Are there book clubs or reading communities I can join? Local Clubs: Check for local book clubs in libraries or community centers. Online Communities: Platforms like Goodreads have virtual book clubs and discussion groups.

10. Can I read Martin Dv3a Manual books for free? Public Domain Books: Many classic books are available for free as they're in the public domain. Free E-books: Some websites offer free e-books legally, like Project Gutenberg or Open Library.

Find Martin Dv3a Manual :

lab solution manual for ebbing gammon

[label the parts of body diagram](#)

[laboratory manual ac machines](#)

[lada user manual](#)

[lacquisition du nombre laquo que saisje raquo ndeg](#)

lab manual class 11 comprehensive

[laboratory exercises in microbiology 3rd edition answers](#)

[lace the complete guide to lace knitting](#)

lamant sans visage

[lab manual for introductory chemistry corwin](#)

laffaire dreyfus tout pour briller en socieacuteteacute

[lab manual of basic engineering circuit analysis](#)

laboratory 6 the complete urinalysis with automation

laboratory manual for physical geology exercise 5

lab manual networking labs

Martin Dv3a Manual :

2022 Super Duty Owner Manuals, Warranties ... Find your Ford Owner Manual here. Print, read or download a PDF or browse an easy, online, clickable version. Access quick reference guides, ... 2022 SUPER DUTY Owner's Manual - IIS Windows Server WARNING: Operating, servicing and maintaining a passenger vehicle or off-highway motor vehicle can expose you to chemicals including engine exhaust, carbon ... 2022 Super Duty Owner's Manual This view of the Owner's Manual contains the very latest information, which may vary slightly from the printed Owner's Manual originally provided with your ... Owner & Operator Manuals for Ford F-250 Super Duty Get the best deals on Owner & Operator Manuals for Ford F-250 Super Duty when you shop the largest online selection at eBay.com. Free shipping on many items ... Ford F250

Manuals Here we have a collection of Ford F250 Manuals and some Ford F150 Manuals that you can read online or download, these are free and always should be don't be ... Ford F-250 Super Duty (2020) manual Manual Ford F-250 Super Duty (2020). View the Ford F-250 Super Duty (2020) manual for free or ask your question to other Ford F-250 Super Duty (2020) owners. Ford F-250 owner's manual Ford F-250 owner's manuals. Below you can find links to download for free the owner's manual of your Ford F-250. Manuals from 1996 to 2022. ... Looking for ... 2022 Ford Super Duty Owner's Manual Original F250 F350 ... Book details · Print length. 737 pages · Language. English · Publisher. Ford · Publication date. January 1, 2022 · Dimensions. 7.25 x 5.25 x 0.8 inches · See ... 2020 Ford Super Duty F-250 F-350 F-450 F-550 Owners ... 2020 Ford Super Duty F-250 F-350 F-450 F-550 Owners manual 20 ; Returns. Returnable until Jan 31, 2024 ; Payment. Secure transaction ; Print length. 630 pages. Ford F250 Owner's Manual - ManualsLib View and Download Ford F250 owner's manual online. F250 automobile pdf manual download. Also for: F550, F450, F350, 2004 f250, 2004 350, 2004 450, 2004 550, ... Pokemon Collector's Value Guide: Secondary Market Price ... This book helps the collector determine the value of all Pokémon Cards issued from that time period. I wish and hope that another updated version might be ... Collector's Value Guide: Pokemon Second edition This second edition Collector's Value Guide features color photos of the American, Japanese and the new Neo cards. The book provides a historical journey ... Pokemon Collector's Value Guide Premiere Edition Find many great new & used options and get the best deals for Pokemon Collector's Value Guide Premiere Edition at the best online prices at eBay! checkerbee publishing - pokemon collectors value guide Pokemon Collector's Value Guide: Secondary Market Price Guide and Collector Handbook by CheckerBee Publishing and a great selection of related books, ... Pokemon Collectors Value Guide Paperback 256 Pages ... Pokemon Collectors Value Guide Paperback 256 Pages CheckerBee Publishing 1999. Be the first to write a review. ... No returns, but backed by eBay Money back ... Collector's Value Guide: Pokemon Second edition - Softcover This second edition Collector's Value Guide features color photos of the American, Japanese and the new Neo cards. The book provides a historical journey ... Pokemon: Collector Handbook and Price Guide by ... Pokemon: Collector Handbook and Price Guide Paperback - 1999 ; Date October 25, 1999 ; Illustrated Yes ; ISBN 9781888914672 / 188891467X ; Weight 0.78 lbs (0.35 kg) ... How much are your Pokemon cards worth? Pokemon card price guide. Look up the value of your Pokemon cards using this handy tool. Search for free, get real market prices. Pokemon Collector's Value Guide:... book by CheckerBee ... This book is a really good source if you want to know how much your pokemon cards are worth. This book has the values of rares, commons, and uncommons. And it ... Pokemon Collector's Value Guide: Secondary Market Price ... Learn how to transform old, familiar items and forgotten finds into treasures to tickle your fancy. So easy, even kids can help. SPSS Survival Manual: A Step by Step Guide to Data ... Presents a guide to the research process, covering such topics as descriptive statistics, correlation, t-tests, factor analysis, and multiple regression. Welcome to the SPSS Survival Manual website The internationally successful, user-friendly guide that takes students and researchers

through the often daunting process of analysing research data with ... SPSS Survival Manual | A step by step guide to data ... by J Pallant · 2020 · Cited by 45384 — In her bestselling manual, Julie Pallant guides you through the entire research process, helping you choose the right data analysis technique ... A Step by Step Guide to Data Analysis Using IBM SPSS ... In her bestselling guide, Julie Pallant takes you through the entire ... This edition has been updated to include up to SPSS version 26. From the formulation ... Julie Pallant SPSS Survival Manual SPSS is a powerful tool for data management and statistical analysis and this user-friendly book makes it very accessible.' Dr Polly Yeung, Aotearoa New Zealand ... About SPSS Survival Manual 5th edition In her bestselling guide, Julie Pallant guides you through the entire research process, helping you choose the right data analysis technique for your project. A Step by Step Guide to Data Analysis Using IBM SPSS Rent SPSS Survival Manual 5th edition (978-0335262588) today, or search our site for other textbooks by Julie Pallant. Every textbook comes with a 21 ... SPSS Survival Manual | A step by ... - Taylor & Francis eBooks by J Pallant · 2020 · Cited by 45281 — In her bestselling guide, Julie Pallant guides you through the entire research process, helping you choose the right data analysis technique for ... SPSS Survival Manual by Julie Pallant (2013, Spiral) All listings for this product · SPSS Survival Manual A Step by Step Guide to Data Analysis Using · SPSS Survival Manual,5e by Pallant, Julie · SPSS Survival Manual ... A step by step guide to data analysis using IBM SPSS ... In her bestselling manual, Julie Pallant guides you through the entire ... Julie discusses basic through to advanced statistical techniques. She outlines ...